









Assembly Instructions for

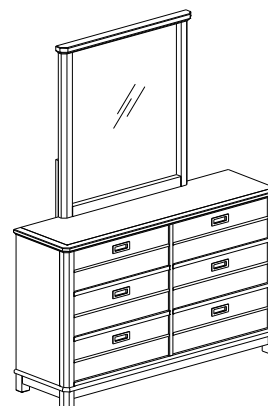
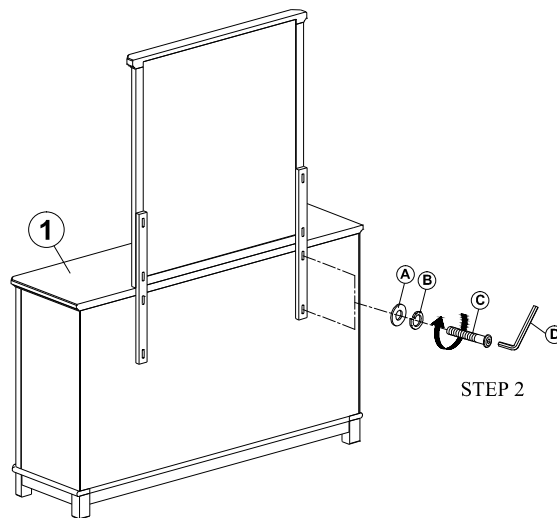
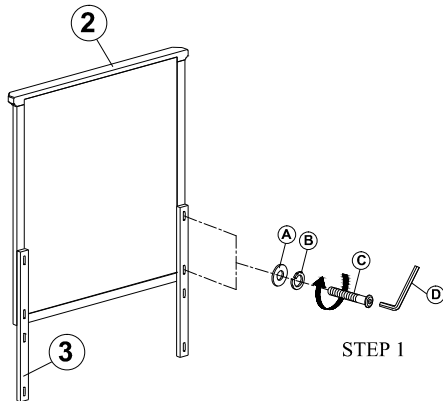
34160301/34060309 #600
INRM 34160109/34060107 #601 261 6 DRAWER DRESSER & 030 MIRROR
34160200/34060208 #602

Thank you for purchasing this quality product. Be sure to check all packing material carefully for small parts, which may have come inside the carton during shipment. Identify and count all parts and compare with the **HARDWARE LIST** below.

1. We recommend that you should assemble this product with the assistance of another person; this will make assembly easier, and will help to eliminate damage to the product or injury to persons during assembly.
2. Please do not over tighten screws or bolts until the assembly is completed.
3. Please put all parts on a non - abrasive floor before assembly, and follow the assembly steps to assemble your newly purchased product correctly and efficiently.

HARDWARE LIST			
NO.	Drawing	Description	Q'TY
A		Spring Washer 1/4"*19*2mm	8PCS
B		Lock Washer 1/4"*8mm	8PCS
C		Bolt 1/4"*1-3/8"	8PCS
D		Allen Key 4mm	1PC
E		Allen Key 4"*4mm	1PC

PARTS LIST			
No.	Description	Drawing	Q'TY
1	Dresser		1pc
2	Mirror		1pc
3	Support Bar		2pcs



MADE IN VIETNAM