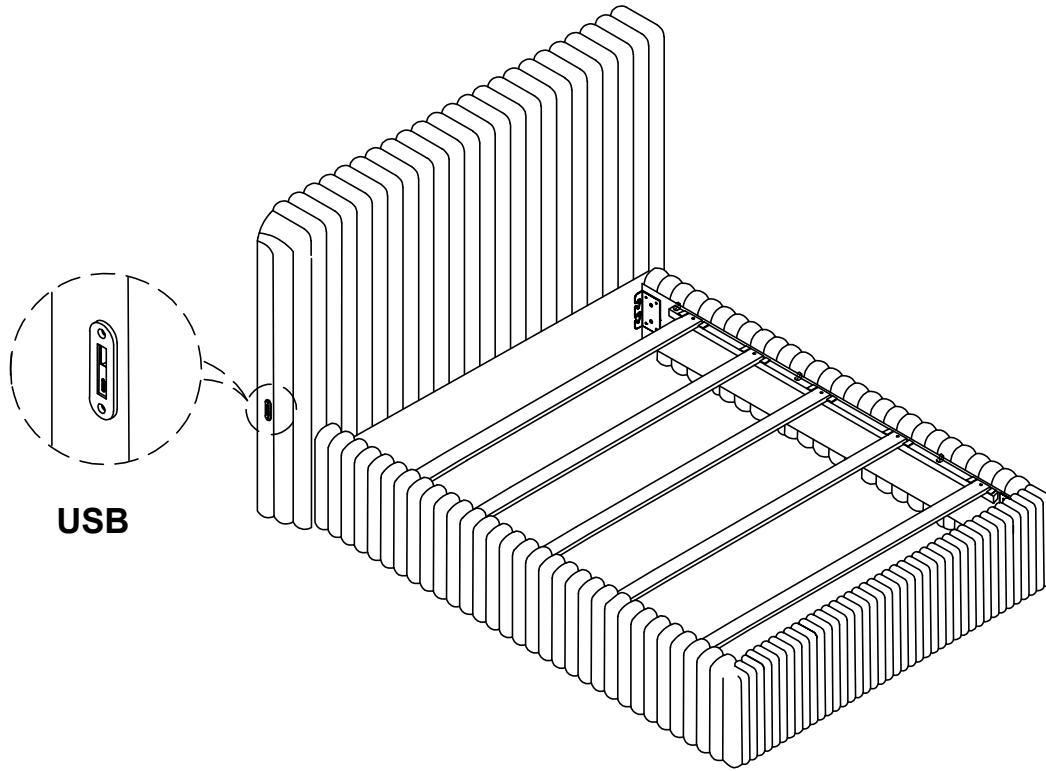


# CHARLIZE

## TWIN UPHOLSTERED BED



Bed Package No.	COLOR	SKU#	STYLE	ITEM DESCRIPTION
3416141P	PINK	34661416	614-1T-1	TWIN UPHOLSTERED HEADBOARD W/USB
		34761418	614-1T-2	TWIN FOOTBOARD & SIDE RAIL W/SLATS
3416142P	LIGHT GRAY	34661428	614-2T-1	TWIN UPHOLSTERED HEADBOARD W/USB
		34761420	614-2T-2	TWIN FOOTBOARD & SIDE RAIL W/SLATS
3416144P	WHITE	34661430	614-3T-1	TWIN UPHOLSTERED HEADBOARD W/USB
		34761432	614-3T-2	TWIN FOOTBOARD & SIDE RAIL W/SLATS

HEADBOARD PART LIST			
	ITEM DESCRIPTION	IMAGE	QTY
A	HEADBOARD (Sold separately)		1 PC


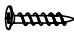

FOOTBOARD, SIDE RAIL, SLAT PART LIST			
	ITEM DESCRIPTION	IMAGE	QTY
B	PUCK FOOT		2 PCS
D	SIDE RAIL (R)		1 PC
E	SIDE RAIL (L)		1 PC
F	FOOTBOARD		1 PC
G	SLAT		5 PCS

DO NOT USE SUBSTITUTE PARTS. PLEASE CONTACT YOUR RETAIL STORE OR [WWW.ROOMSTOGO.COM](http://WWW.ROOMSTOGO.COM) WITH SERVICE OR PARTS REPLACEMENT REQUEST.

This product is manufactured by (GLOB) for **ROOMS TO GO** | **KIDS**

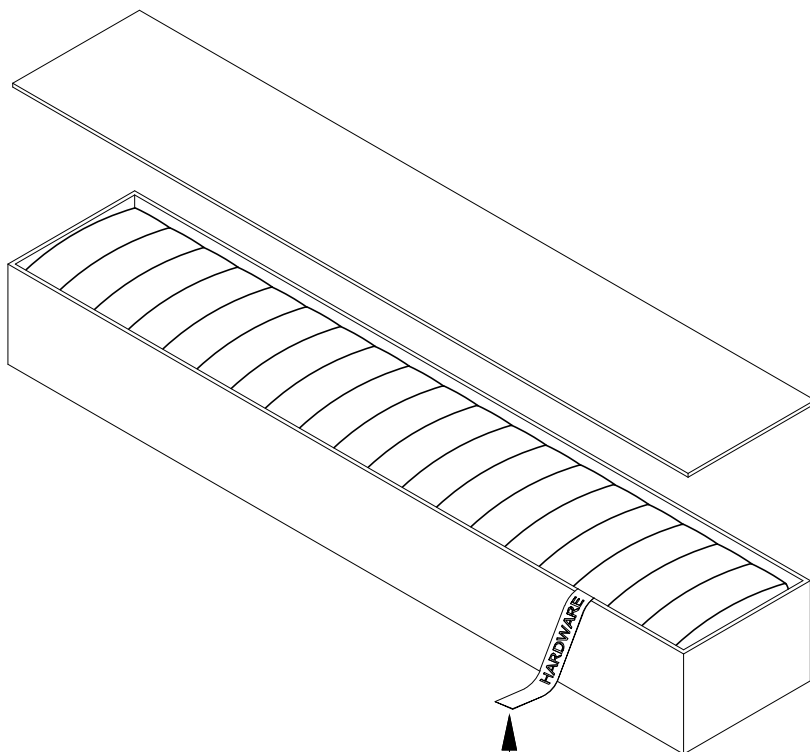
# CHARLIZE

## TWIN UPHOLSTERED BED

HARDWARE LIST			
	ITEM DESCRIPTION	IMAGE	QTY
1	ALLEN KEY 4mm		1 PC
2	SCREW M4 x 1 3/16"		10 PCS
3	PHILIPS SCREWDRIVER (NOT PROVIDED)		1 PC

### HARDWARE PACK LOCATION

Bed Package No.	SKU#	STYLE	ITEM DESCRIPTION	COLOR
3416141P	34761418	614-1T-2	TWIN FOOTBOARD & SIDE RAIL W/SLATS	PINK
3416142P	34761420	614-2T-2	TWIN FOOTBOARD & SIDE RAIL W/SLATS	LIGHT GRAY
3416144P	34761432	614-3T-2	TWIN FOOTBOARD & SIDE RAIL W/SLATS	WHITE



HARDWARE PACK

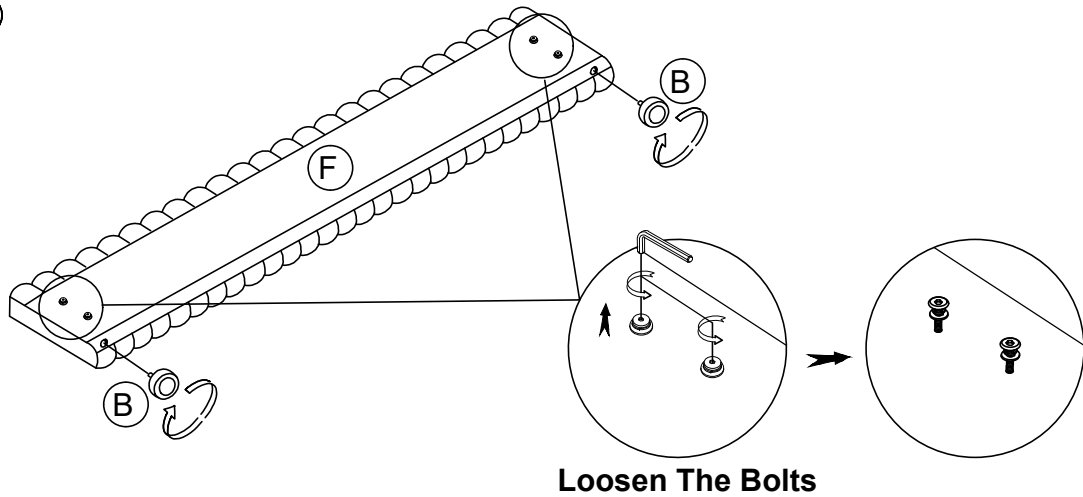
DO NOT USE SUBSTITUTE PARTS. PLEASE CONTACT YOUR RETAIL STORE OR [WWW.ROOMSTOGO.COM](http://WWW.ROOMSTOGO.COM) WITH SERVICE OR PARTS REPLACEMENT REQUEST.

This product is manufactured by (GLOB) for **ROOMS TO GO** | **KIDS**

Thank you for purchasing this quality product. Be sure to check all packing material carefully for small parts which may have come loose inside the carton during shipment. Identify and count all parts and compare with the parts list below. Read all instructions before assembling bed and keep these instructions for future reference.

## Assembly Instructions:

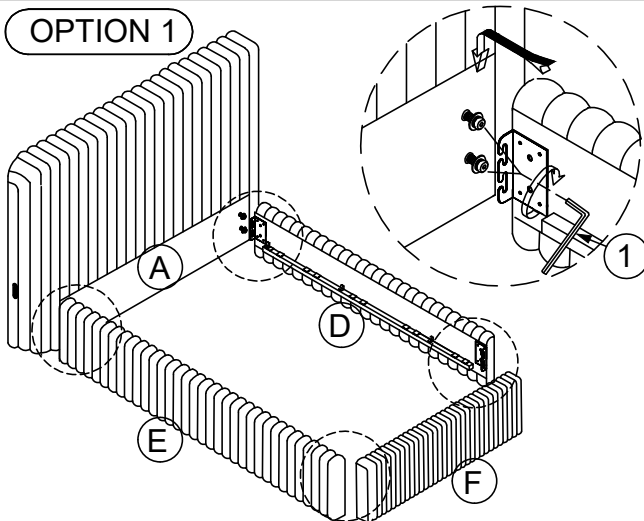
### STEP 1



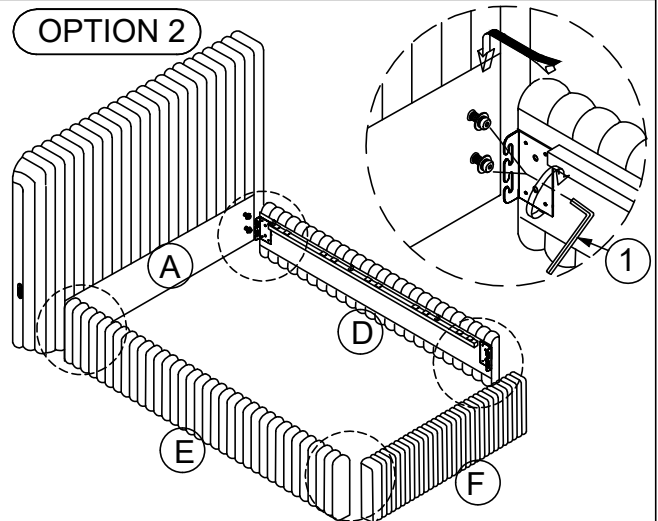
Secure the Bun foot (B) to the Footboard (F) by screwing into place. Loosen pre-assembled bolts from the Footboard (H) using the provided Allen key (1) to attach the side rails.

### STEP 2

#### OPTION 1



#### OPTION 2



Attach the Side Rail (D) and (E) to the Headboard (A) and Footboard (F). Tighten all the bolts using the Allen Key (1) provided.

The side rails can be reversed:

Option 1: The side rails have a cleat in the low position.

Option 2: The side rails have a cleat in the high position.

DO NOT USE SUBSTITUTE PARTS. PLEASE CONTACT YOUR RETAIL STORE OR [WWW.ROOMSTOGO.COM](http://WWW.ROOMSTOGO.COM) WITH SERVICE OR PARTS REPLACEMENT REQUEST.

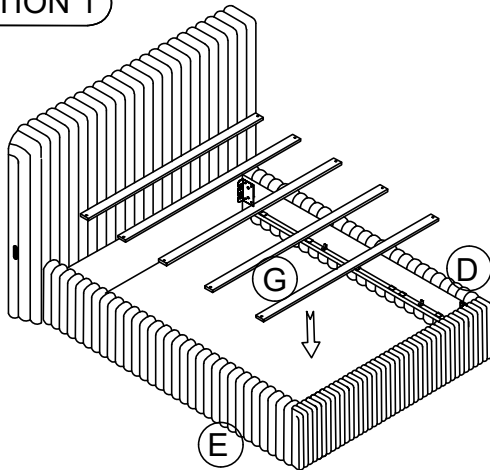
This product is manufactured by (GLOB) for **ROOMS TO GO** | **KIDS**

Thank you for purchasing this quality product. Be sure to check all packing material carefully for small parts which may have come loose inside the carton during shipment. Identify and count all parts and compare with the parts list below. Read all instructions before assembling bed and keep these instructions for future reference.

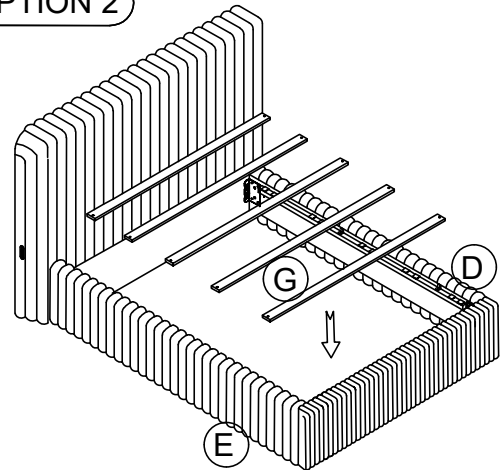
## Assembly Instructions:

### STEP 3

#### OPTION 1



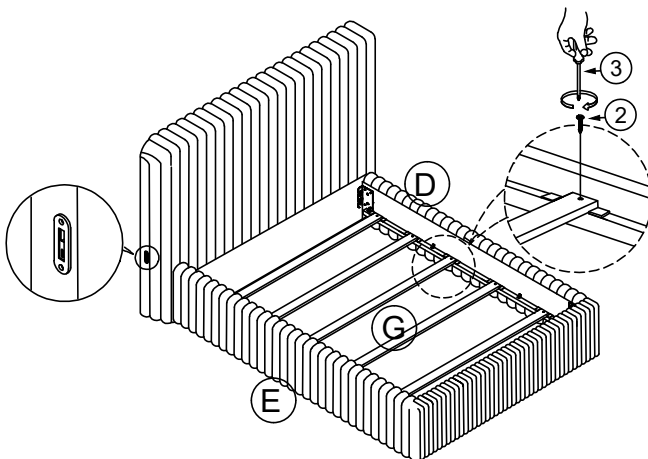
#### OPTION 2



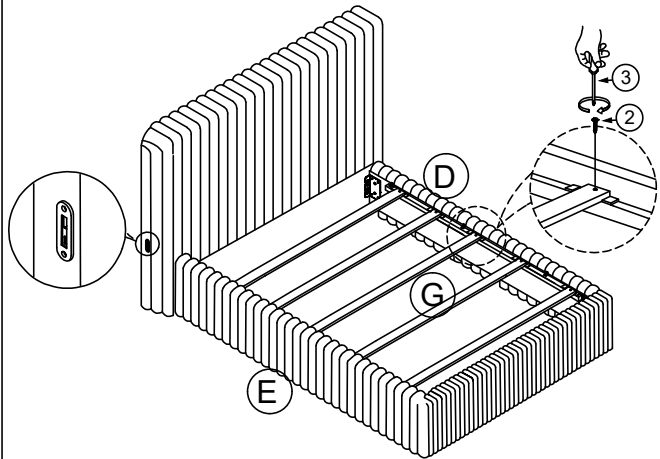
Attach Slats (G) to the Side Rail (D) and (E).

### STEP 4

#### OPTION 1



#### OPTION 2



Tighten Screws (2) to the Slats (G) and Side Rail (D) and (E) using Philips Screwdriver (3) (not provided).

DO NOT USE SUBSTITUTE PARTS. PLEASE CONTACT YOUR RETAIL STORE OR [WWW.ROOMSTOGO.COM](http://WWW.ROOMSTOGO.COM) WITH SERVICE OR PARTS REPLACEMENT REQUEST.

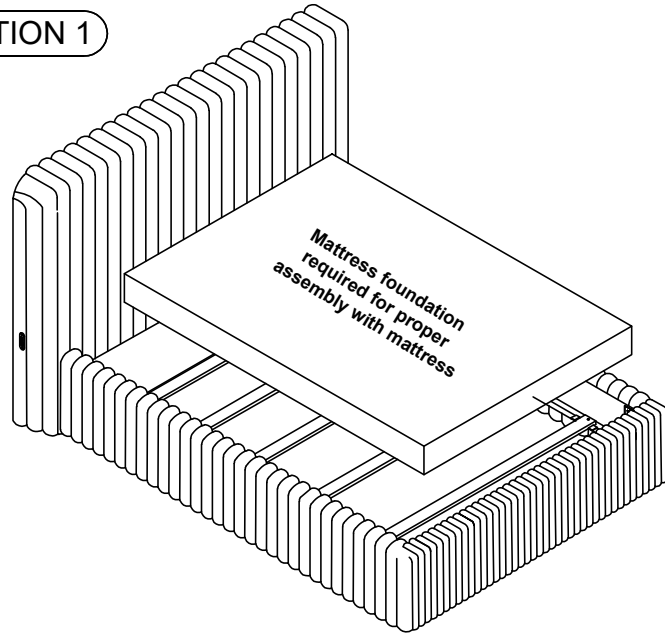
This product is manufactured by (GLOB) for **ROOMS TO GO** | **KIDS**

Thank you for purchasing this quality product. Be sure to check all packing material carefully for small parts which may have come loose inside the carton during shipment. Identify and count all parts and compare with the parts list below. Read all instructions before assembling bed and keep these instructions for future reference.

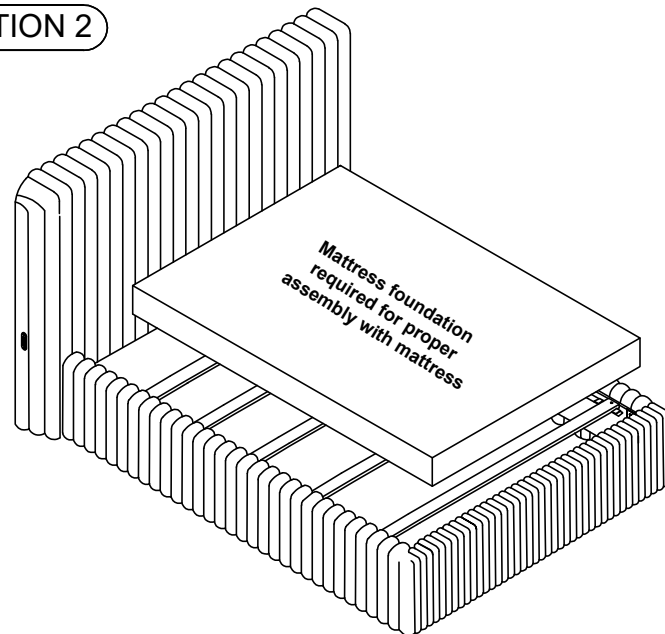
**Assembly Instructions:**

**STEP 5**

**OPTION 1**



**OPTION 2**



A mattress foundation is required for proper assembly with mattress. Place the mattress foundation (not provided) on top of the slats

DO NOT USE SUBSTITUTE PARTS. PLEASE CONTACT YOUR RETAIL STORE OR [WWW.ROOMSTOGO.COM](http://WWW.ROOMSTOGO.COM) WITH SERVICE OR PARTS REPLACEMENT REQUEST.

This product is manufactured by (GLOB) for **ROOMS TO GO** | **KIDS**