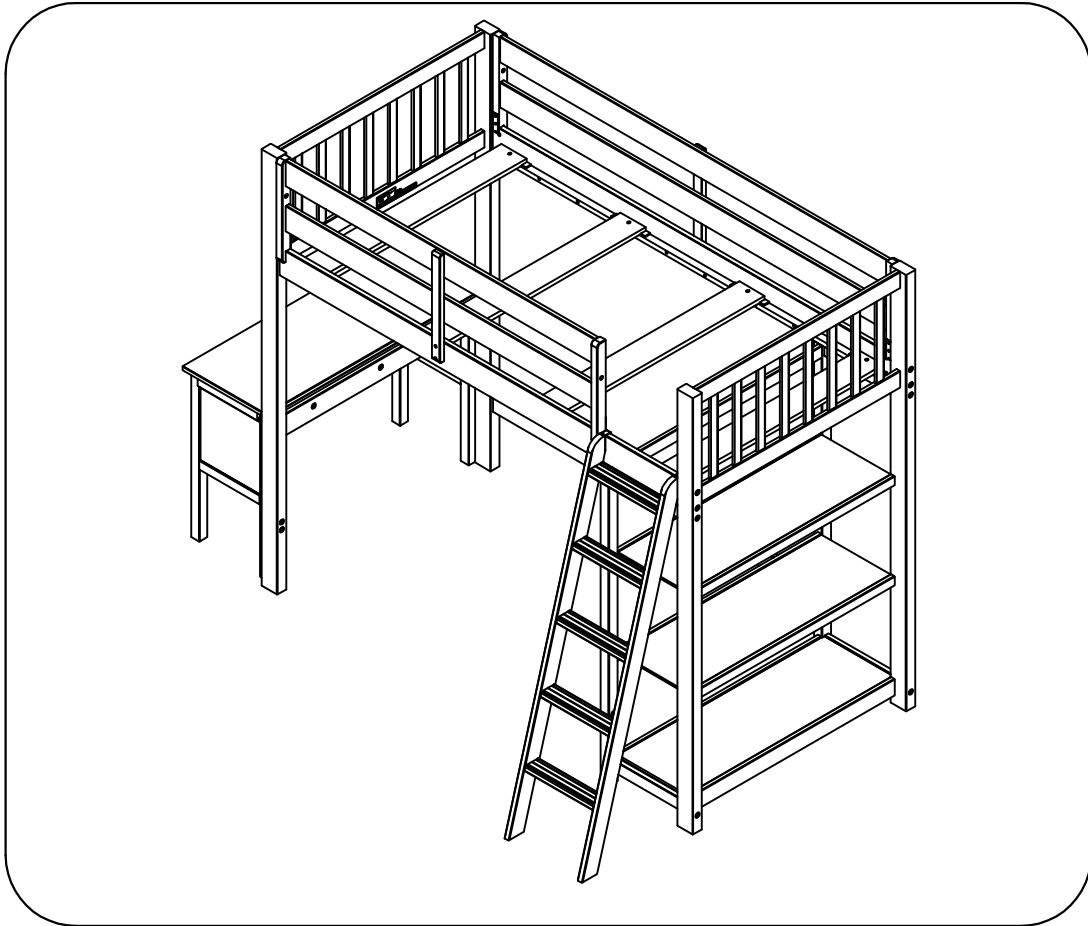


**SPRINGTOWN
 HIGH LOFT BED WITH BOOKSHELF AND DESK**



Use only correct dimension mattress and bunkie board:

Twin Size - 74" - 75" (188 cm - 190 cm) long and 37-1/2" - 38-1/2" (95 cm - 98 cm) wide

Twin size bunkie board- 74" (188 cm) long and 37-1/2" (95 cm) wide

Parts List		
RTG SKU #	STYLE #	ITEM DESCRIPTION
34870217	70219-182	TWIN HIGH LOFT ENDS & BOOKCASE
34870229	70219-183	
34970219	70220-182	HIGH LOFT 4 SIDE RAILS & 2 GUARD RAILS
34970221	70220-183	
35070212	70221-182	DESK & 3 SHELVES
35070224	70221-183	
35170214	70218-182	TWIN HIGH LOFT LADDER
35170226	70218-183	



MATTRESS AND BUNKIE BOARD CHART

PACKAGE	DESCRIPTION	TOP BED
3417021P White Wash 3417022P Gray Wash	Twin High Loft With Bookshelf & Desk	Twin Mattress Twin Bunkie Board Required

Use only correct dimension mattress and bunkie board:

Twin Size - 74" - 75" (188 cm - 190 cm) long and 37-1/2" - 38-1/2" (95 cm - 98 cm) wide

Twin size bunkie board- 74" (188 cm) long and 37-1/2" (95 cm) wide



WARNING DANGER:

Failure to follow these warnings and assembly instructions could result in serious injury or death. To help prevent serious or fatal injuries from entrapment or falls:

- Read all instructions before assembling bunk bed and keep these instructions for future reference.
- Before each usage or assembly, inspect bunk bed for damaged hardware, loose joints, missing parts, or sharp edges. DO NOT use bunk bed if any parts are missing or broken.
- DO NOT use substitute parts. Contact Rooms To Go (www.ROOMSTOGO.com) for re-placement parts and instructional literature if needed.
- Follow the information on the warnings appearing on the upper bunk end structure and on the carton. DO NOT REMOVE WARNING LABEL FROM BED.
- Always use the recommended size mattresses or mattress supports, or both, to help prevent the likelihood of entrapment or falls.
- Ensure thickness of mattress and foundation combined does not exceed 12 inches (30 cm) and mattress surface is at least 5 inches (13 cm) below upper edge of guardrails.
- Do not allow children under 6 years of age to use the upper bunk.
- Periodically check and ensure that the guardrail, ladder, and other components are in their proper position, free from damage, and that all connectors are tight.
- Do not allow horseplay on or under the bed and prohibit jumping on the bed.
- Limit top bunk use to one person.
- Always use the ladder for entering and leaving the upper bunk.
- Use of a night light may provide added safety precaution for a child using the upper bunk.
- Always use guardrails on both long sides of the upper bunk. If the bunk bed will be placed next to the wall, the guardrail that runs the full length of the bed should be placed against the wall to prevent entrapment between the bed and wall.
- The use of water or sleep flotation mattresses is prohibited.
- This bunk bed meets or exceeds the requirements of ASTM 1427-21.



STRANGULATION HAZARD:

Never attach or hang items to any part of the bunk bed that are not designed for use with the bed; for example, but not limited to, hooks, belts and jump ropes.



PRE - ASSEMBLY

Warning:

The bed slats included with this bed will not support a mattress alone, this bed requires bunkie boards (sold separately).

Read all the instructions, identify all components, choose your configuration, and be sure you have all parts prior to assembly.

Two people are needed to assemble.

Tools Needed

Phillips heads screwdriver (not included)

5mm allen wrench (included)

4mm allen wrench (included)

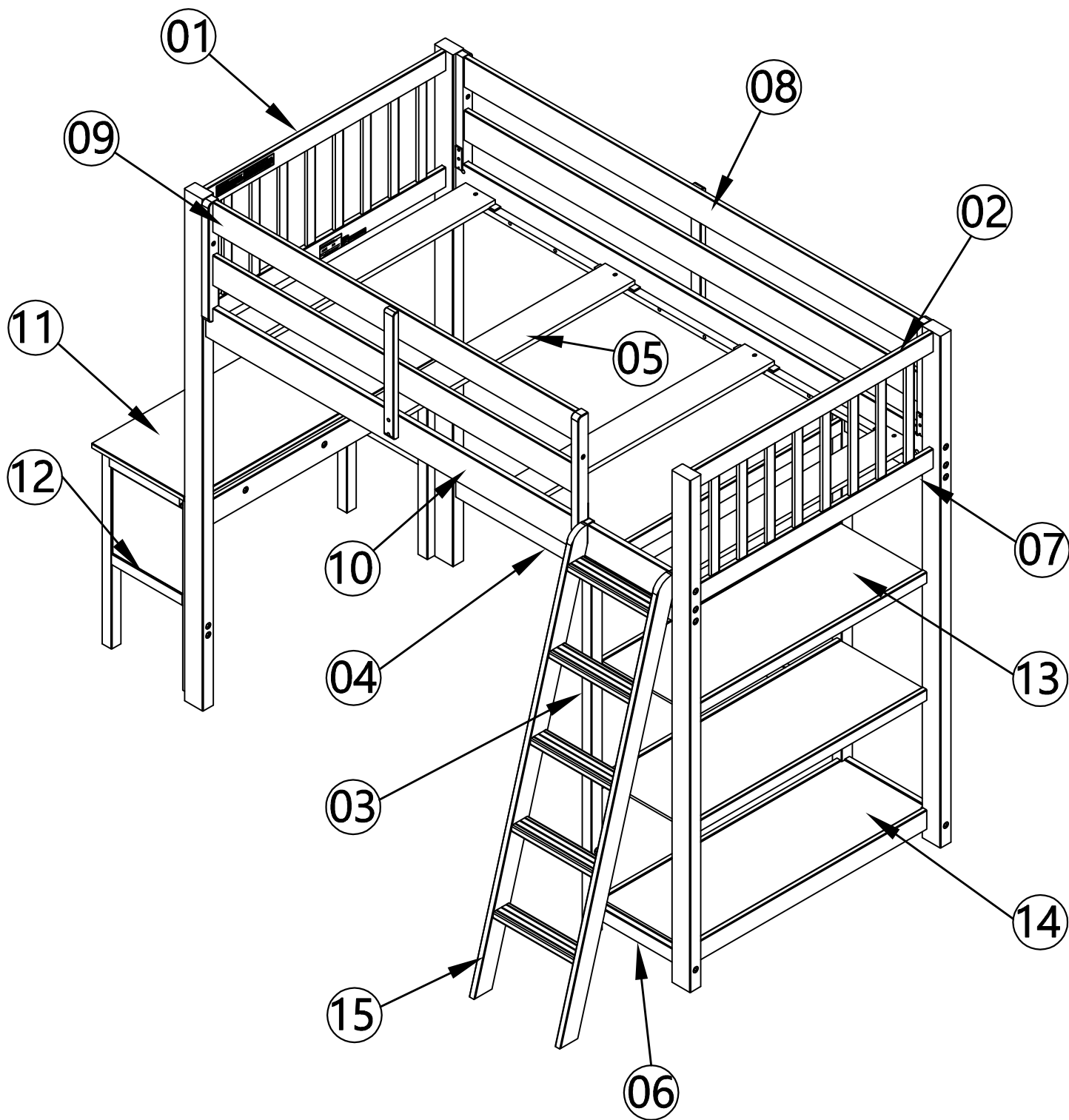
MAKE SURE ALL BOLTS ARE TIGHTENED COMPLETELY

CARE INSTRUCTIONS:

Dust with a clean, soft cloth. Avoid the use of all abrasive cleaners.

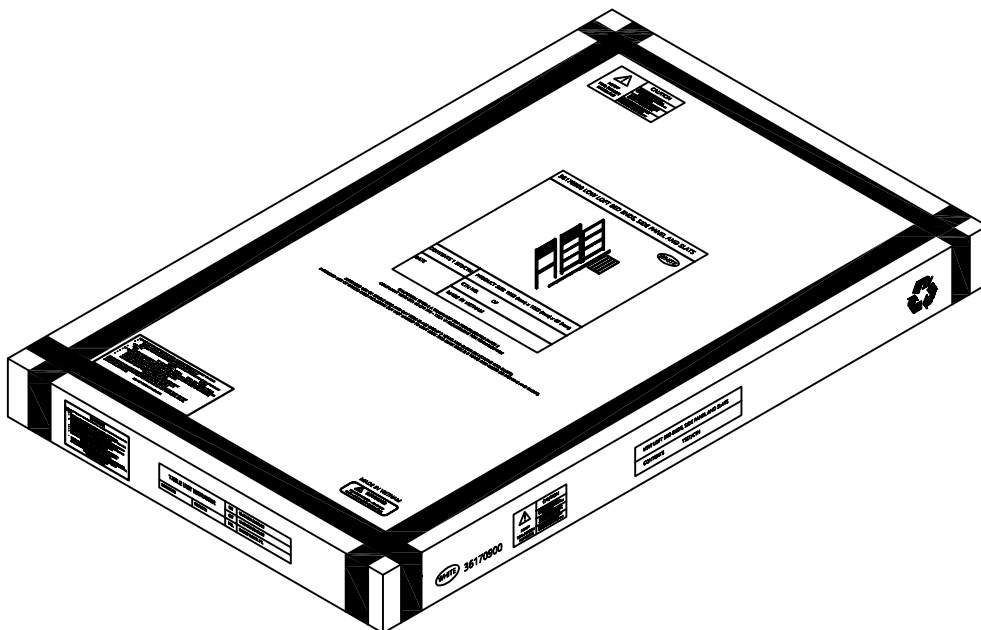
PLEASE CONTACT YOUR RETAIL STORE WITH SERVICE OR PARTS REPLACEMENT REQUEST

PARTS LIST

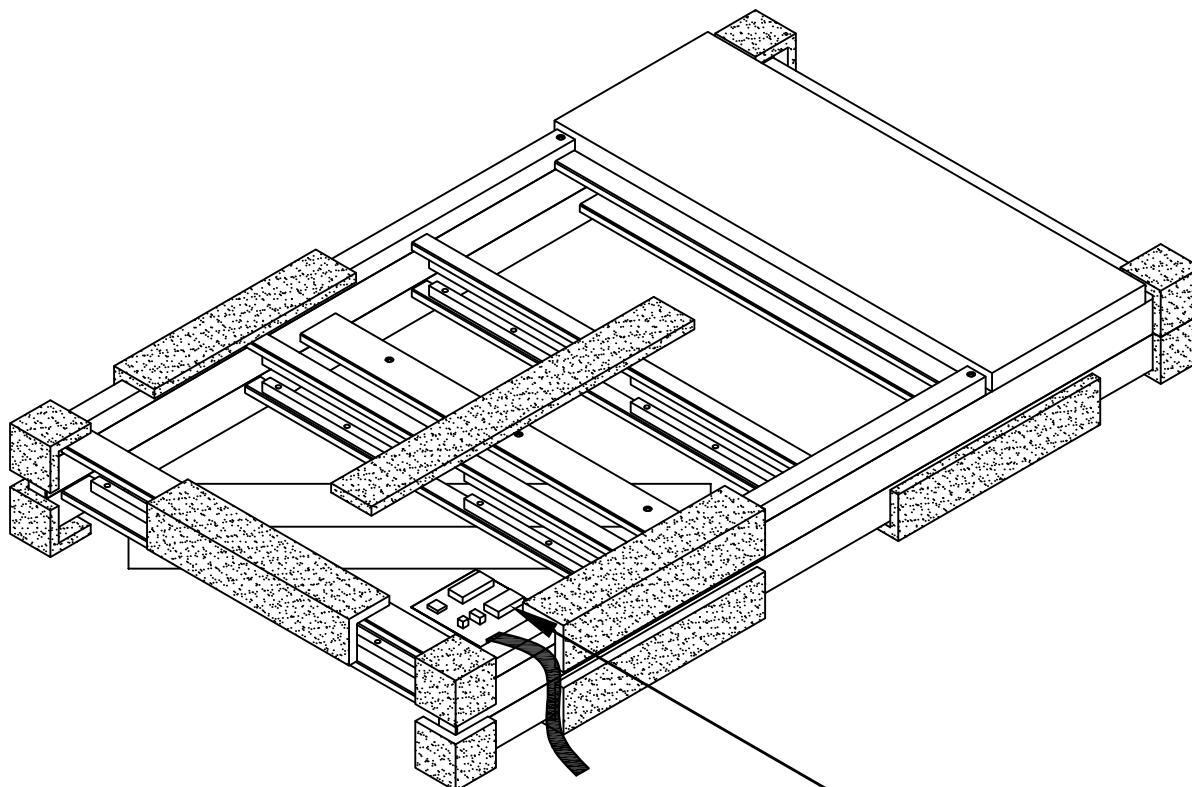


PLEASE CONTACT YOUR RETAIL STORE WITH SERVICE OR PARTS REPLACEMENT REQUEST

SKU #34870217 – Style #70219-182 or SKU #34870229 – Style #70219-183

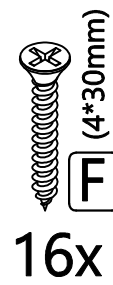
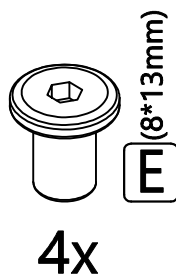
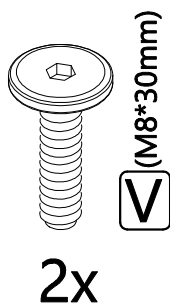
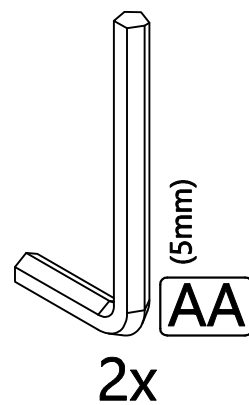
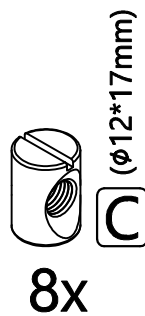
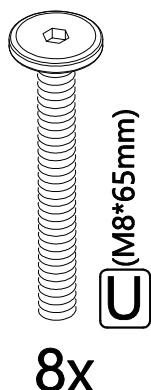
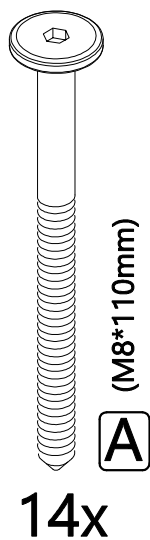
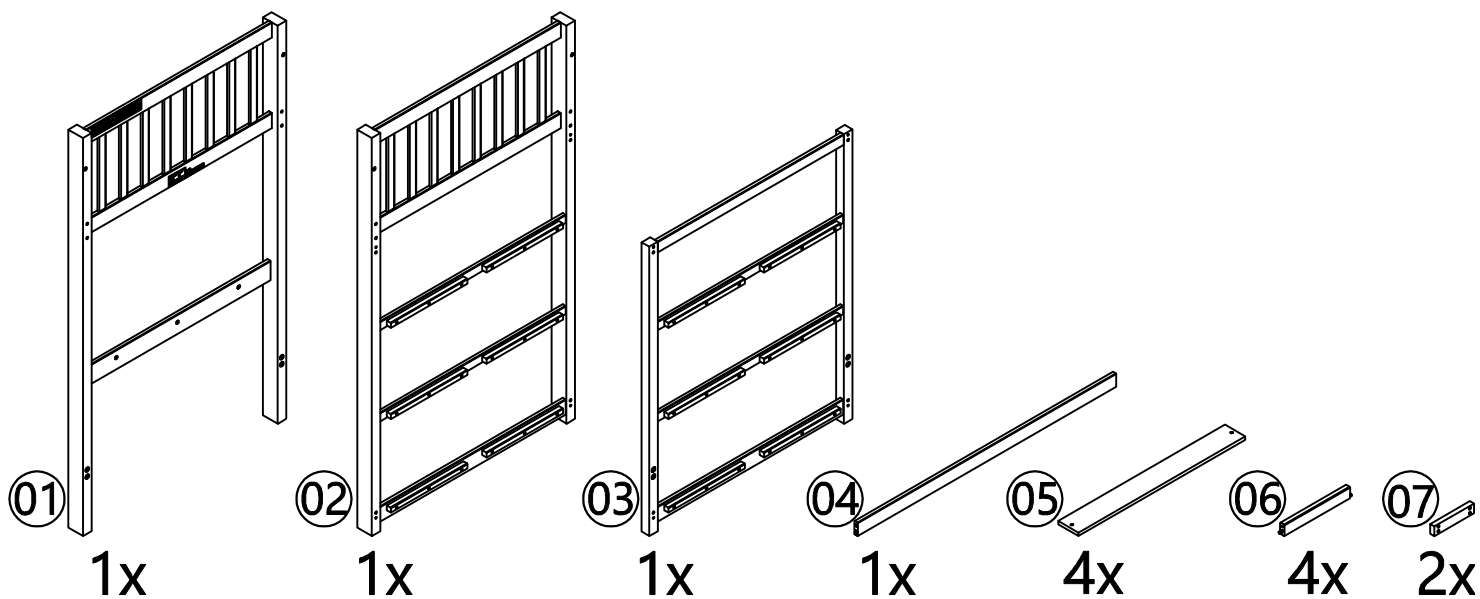


Open
Ouvert
Abierto



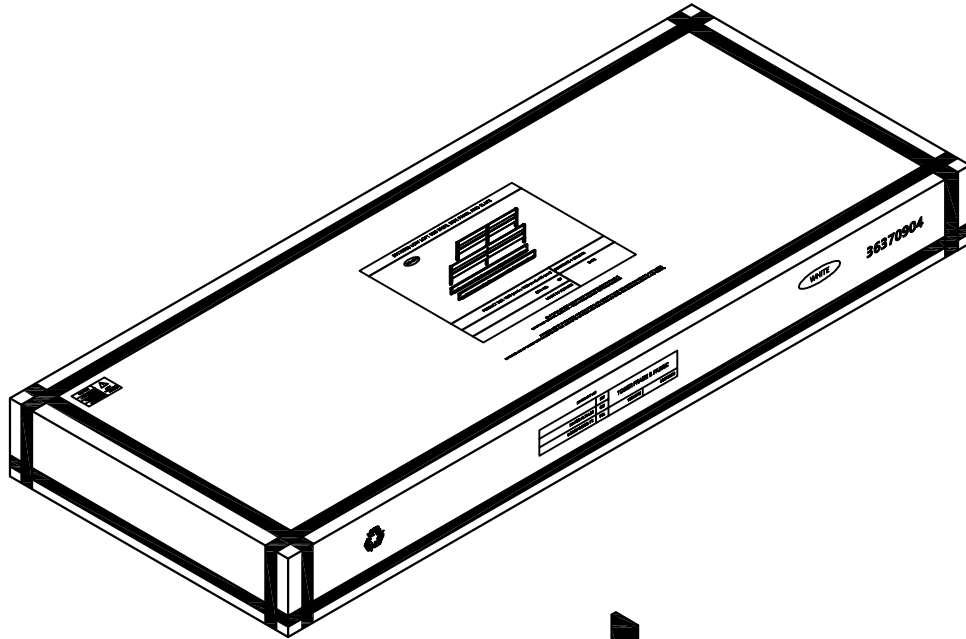
HARDWARE KIT LOCATION

SKU #34870217 – Style #70219-182 or SKU #34870229 – Style #70219-183

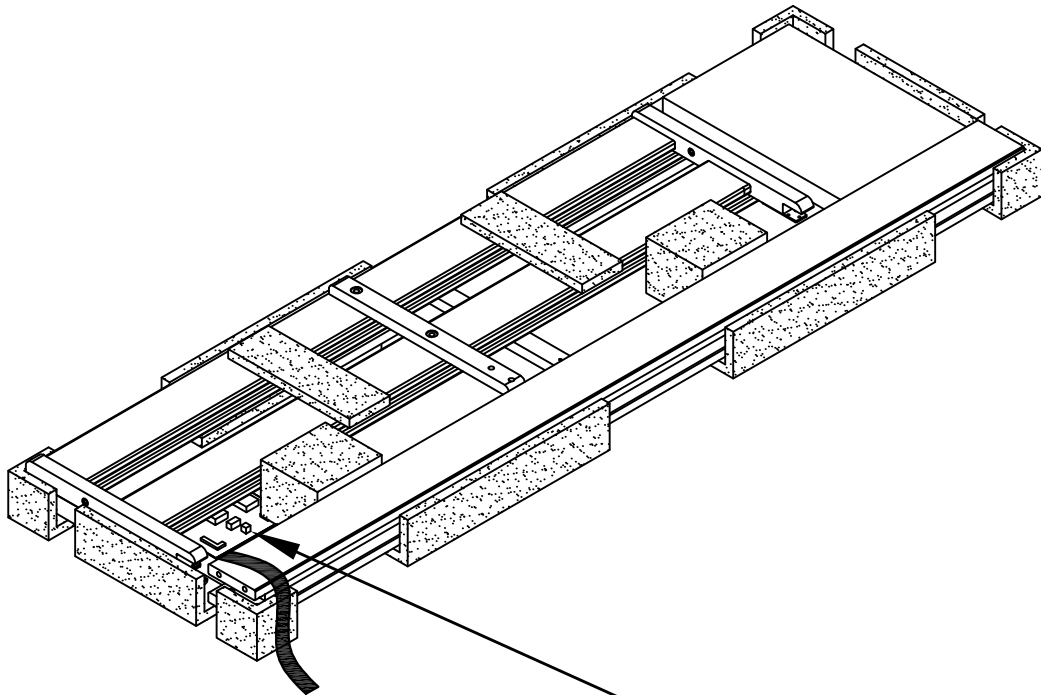


<p>⚠ WARNING: CHOKING HAZARD Small Parts Not for children under 3 years. To be Assembled by an Adult</p>	<p>⚠ ATTENTION: RISQUE D'ÉTOUFFEMENT Petites parties Ne convient pas aux enfants de moins de 3 ans. Doit être assemblé par un adulte</p>	<p>⚠ ADVERTENCIA PELIGRO DE ASFIXIA Partes pequeñas No apta para niños menores de 3 años A ser ensamblado por un adulto</p>	<p>Not Included Non Inclus No Incluido</p> 
--	--	---	--

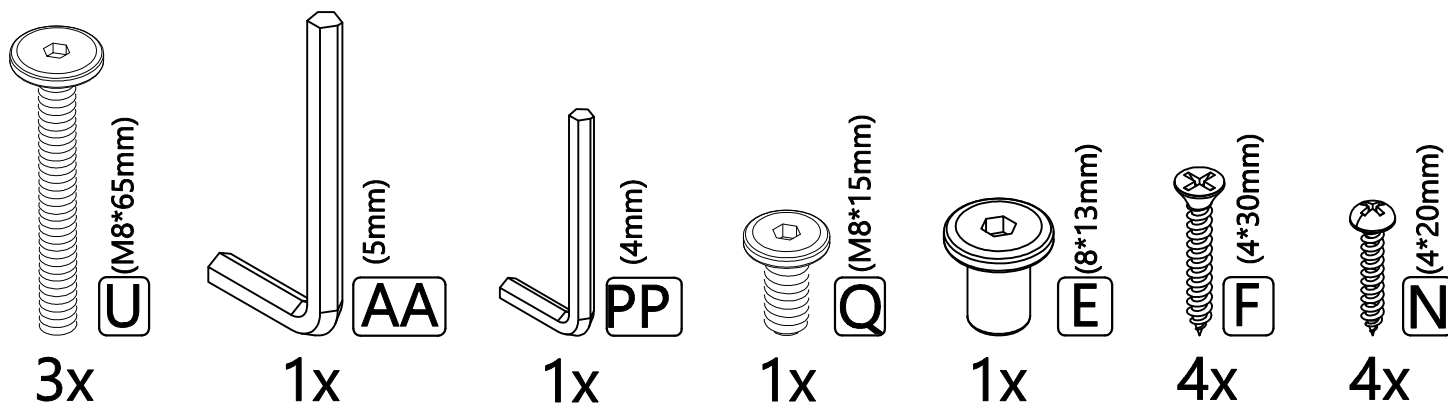
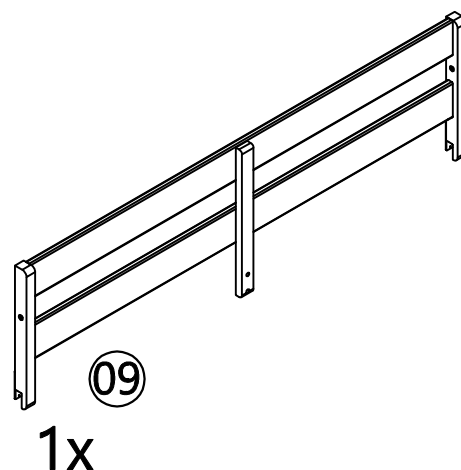
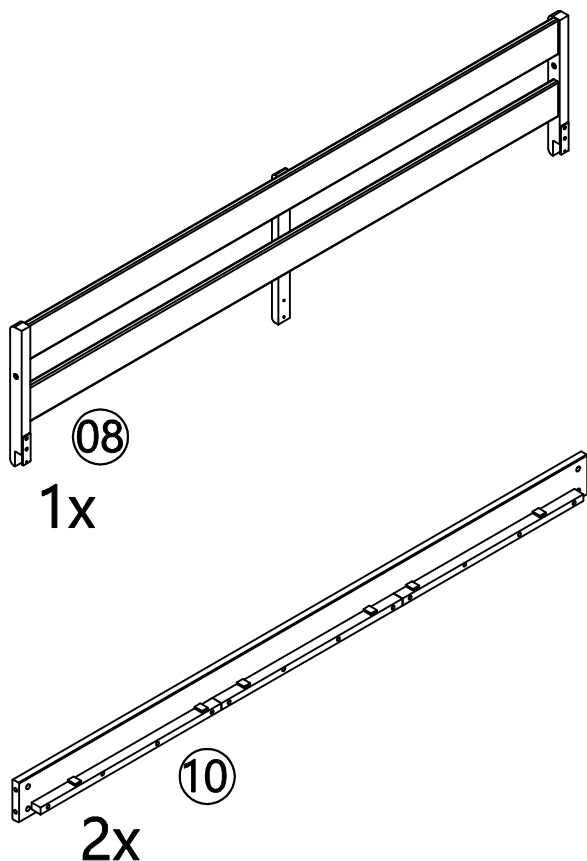
SKU #34970219 – Style #70220-182 or SKU #34970221 – Style #70220-183



Open
Ouvert
Abierto

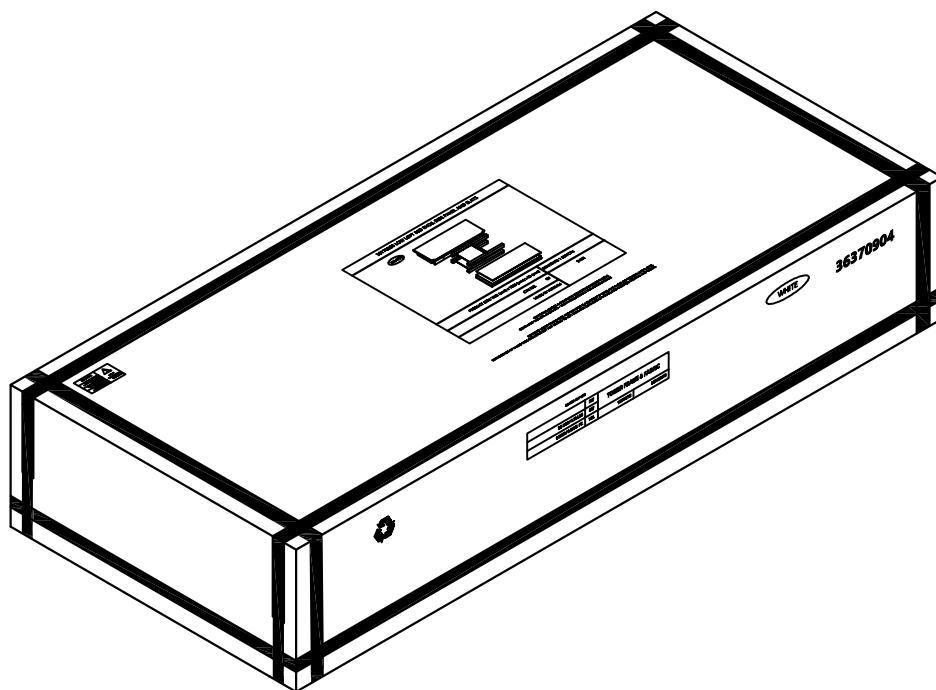


HARDWARE KIT LOCATION



<p>⚠ WARNING: CHOKING HAZARD Small Parts Not for children under 3 years. To be Assembled by an Adult</p>	<p>⚠ ATTENTION: RISQUE D'ÉTOUFFEMENT Petites parties Ne convient pas aux enfants de moins de 3 ans. Doit être assemblé par un adulte</p>	<p>⚠ ADVERTENCIA PELIGRO DE ASFIXIA Partes pequeñas No apta para niños menores de 3 años A ser ensamblado por un adulto</p>	<p>Not Included Non Inclus No Incluido</p> 
--	--	---	--

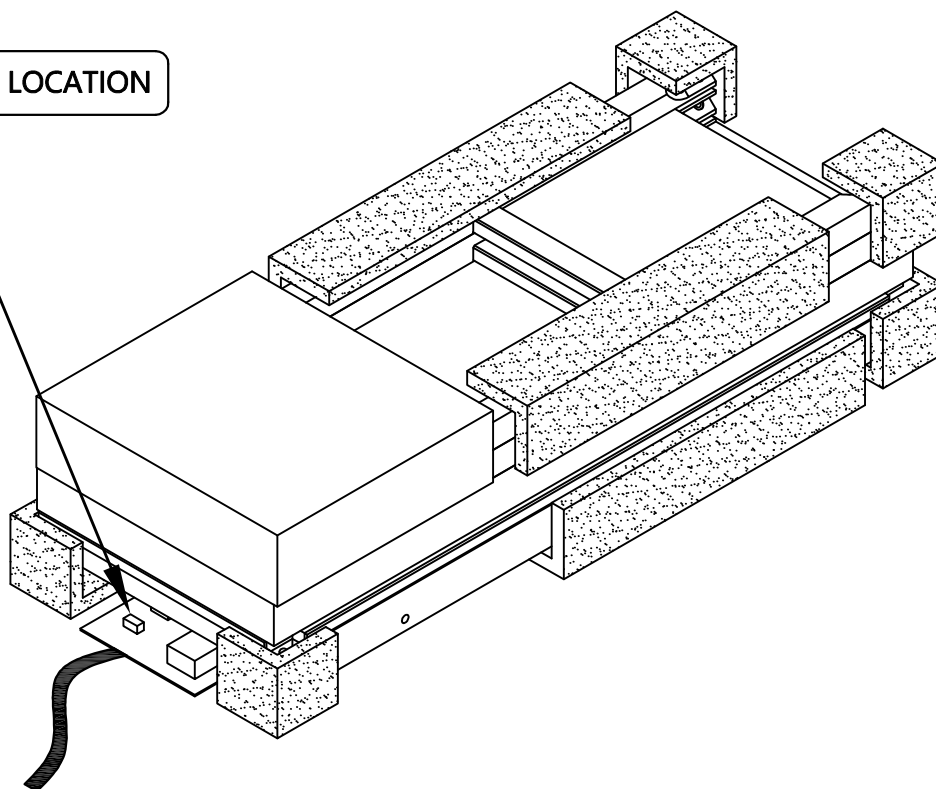
SKU #35070212 – Style #70221-182 or SKU #35070224 – Style #70221-183



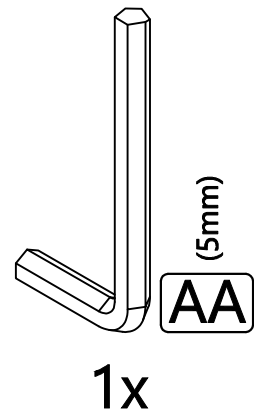
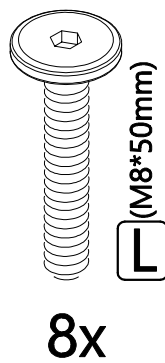
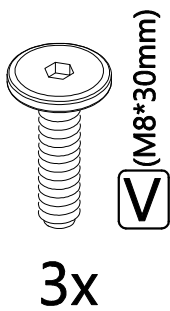
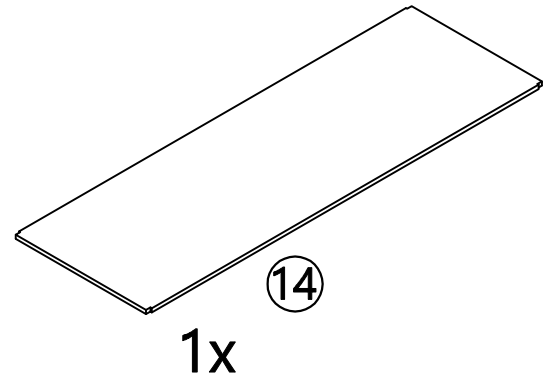
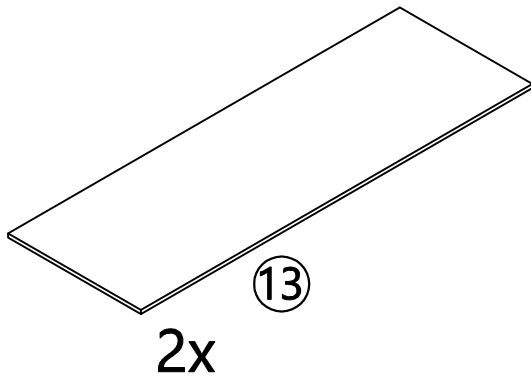
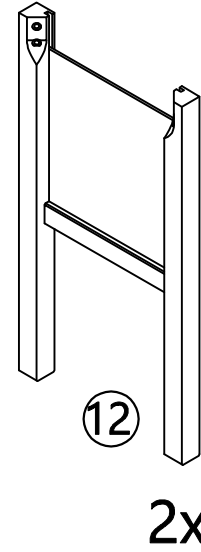
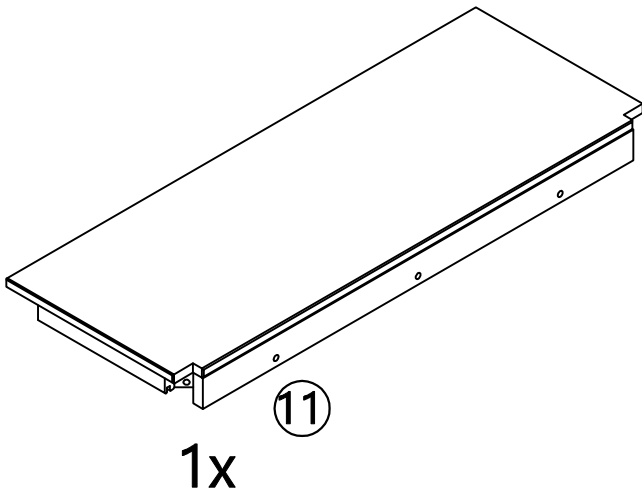
Open
Ouvert
Abierto



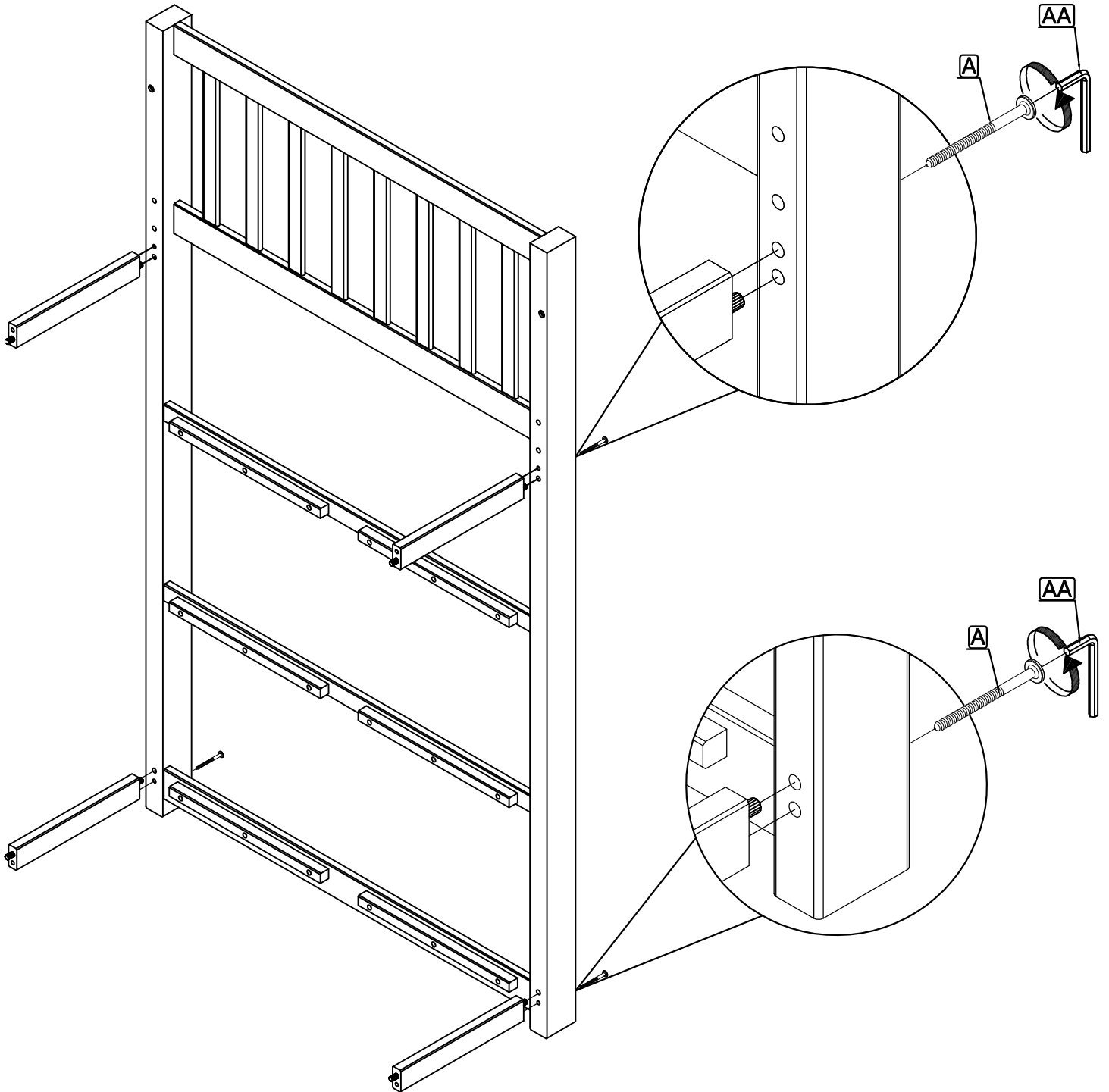
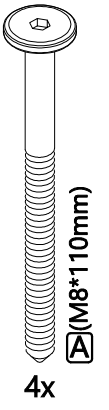
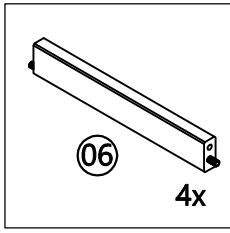
HARDWARE KIT LOCATION

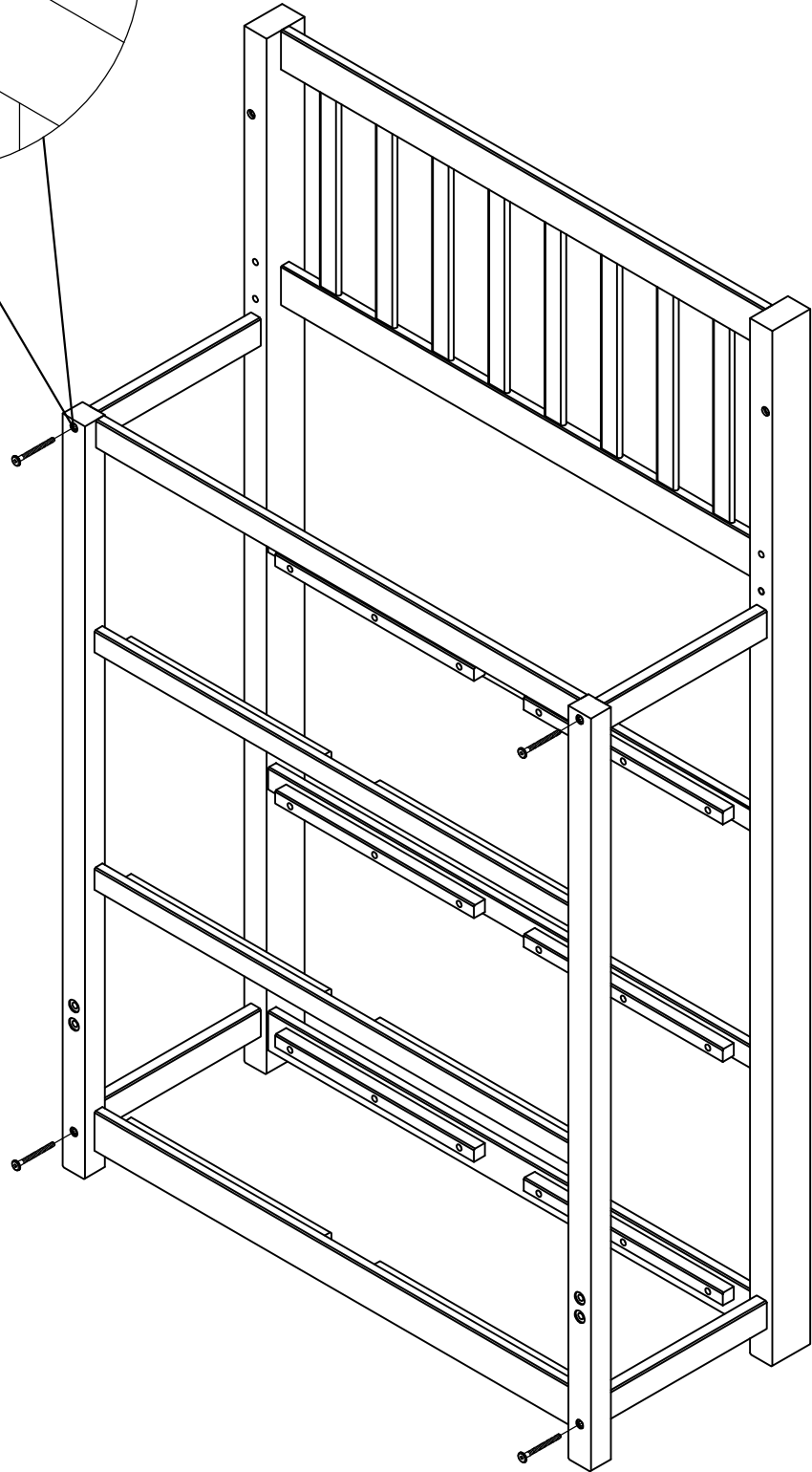
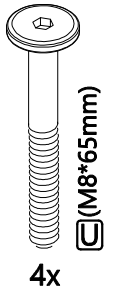
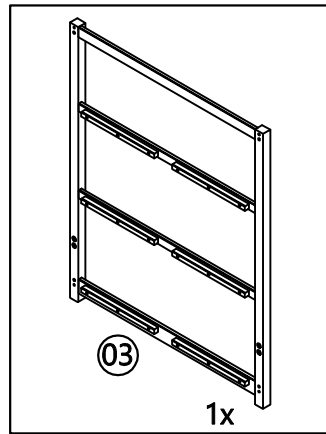
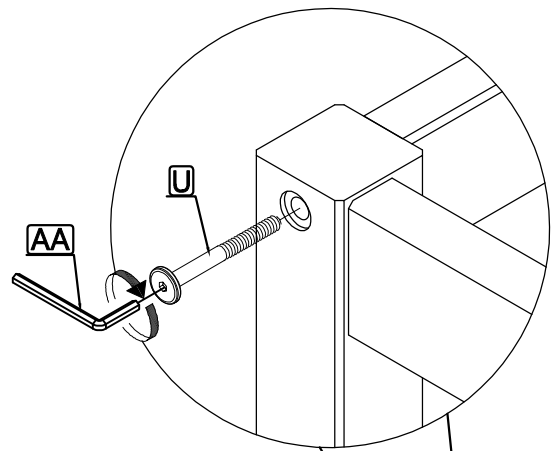


SKU #35070212 – Style #70221-182 or SKU #35070224 – Style #70221-183



<p>⚠ WARNING: CHOKING HAZARD Small Parts Not for children under 3 years. To be Assembled by an Adult</p>	<p>⚠ ATTENTION: RISQUE D'ÉTOUFFEMENT Petites parties Ne convient pas aux enfants de moins de 3 ans. Doit être assemblé par un adulte</p>	<p>⚠ ADVERTENCIA PELIGRO DE ASFIXIA Partes pequeñas No apta para niños menores de 3 años A ser ensamblado por un adulto</p>	<p>Not Included Non Inclus No Incluido</p> 
--	--	---	--

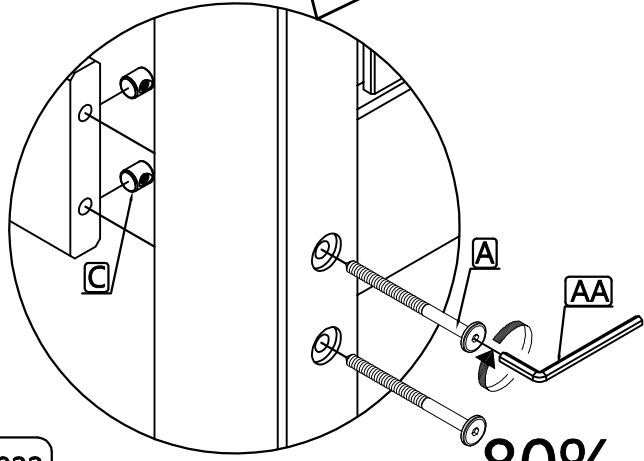
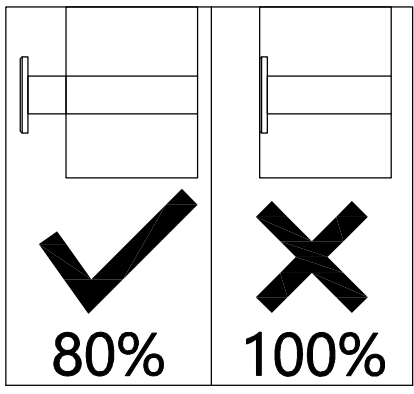
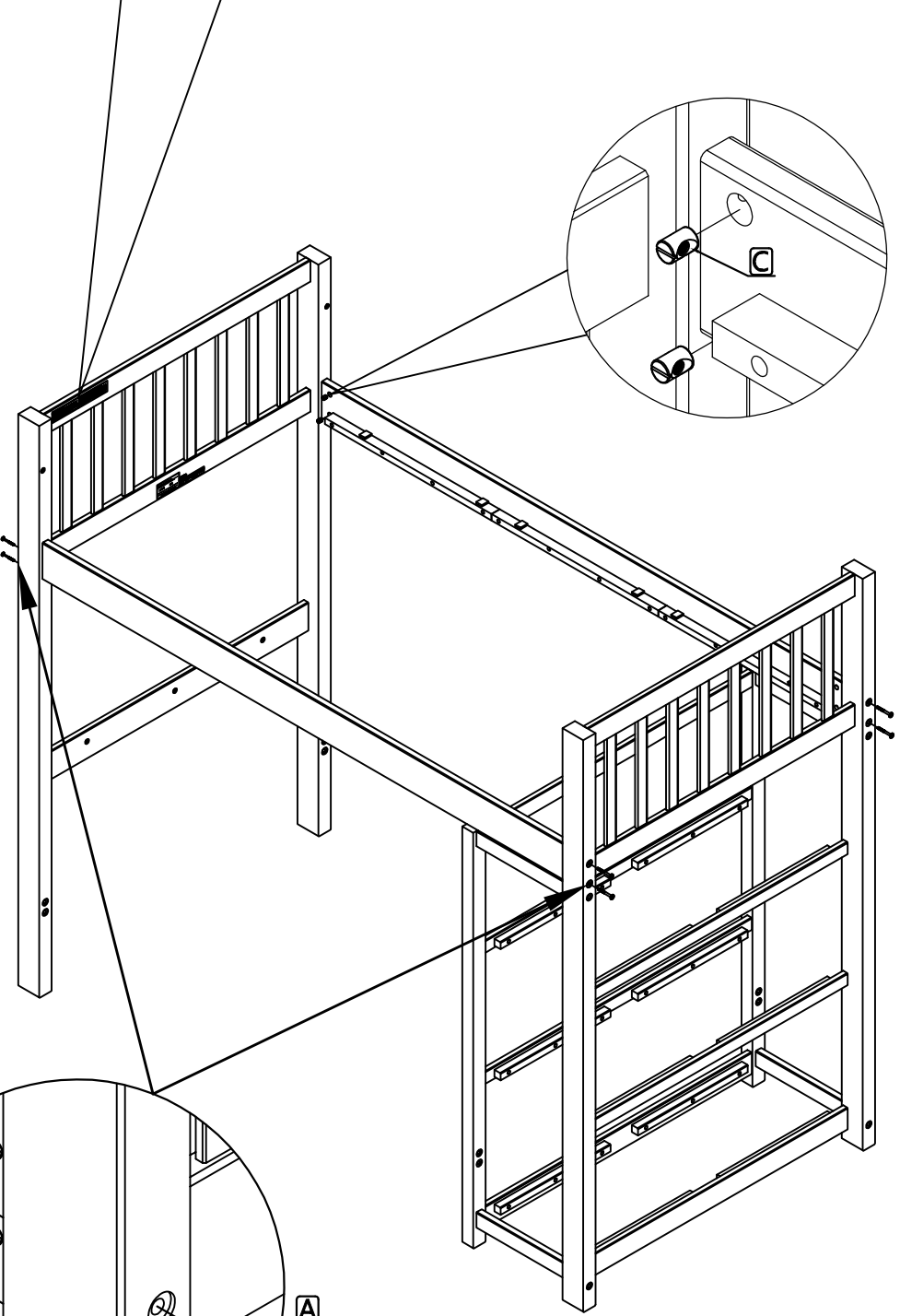
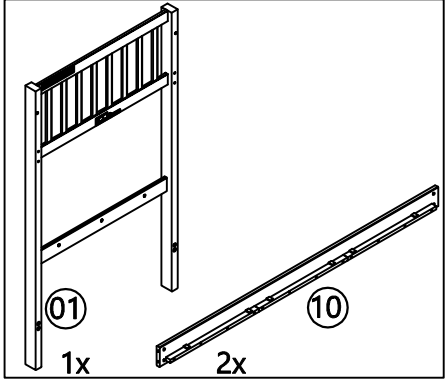
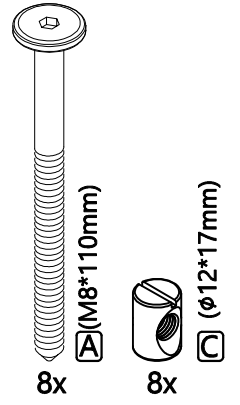




! WARNING TO HELP PREVENT SERIOUS OR FATAL INJURIES FROM ENTRAPMENT OR FALLS:
 *NEVER ALLOW A CHILD UNDER 6 YEARS ON UPPER AND LOWER BUNK USE ONLY MATTRESS MEETING THE FOLLOWING SPECIFICATIONS ON UPPER AND LOWER BUNK:

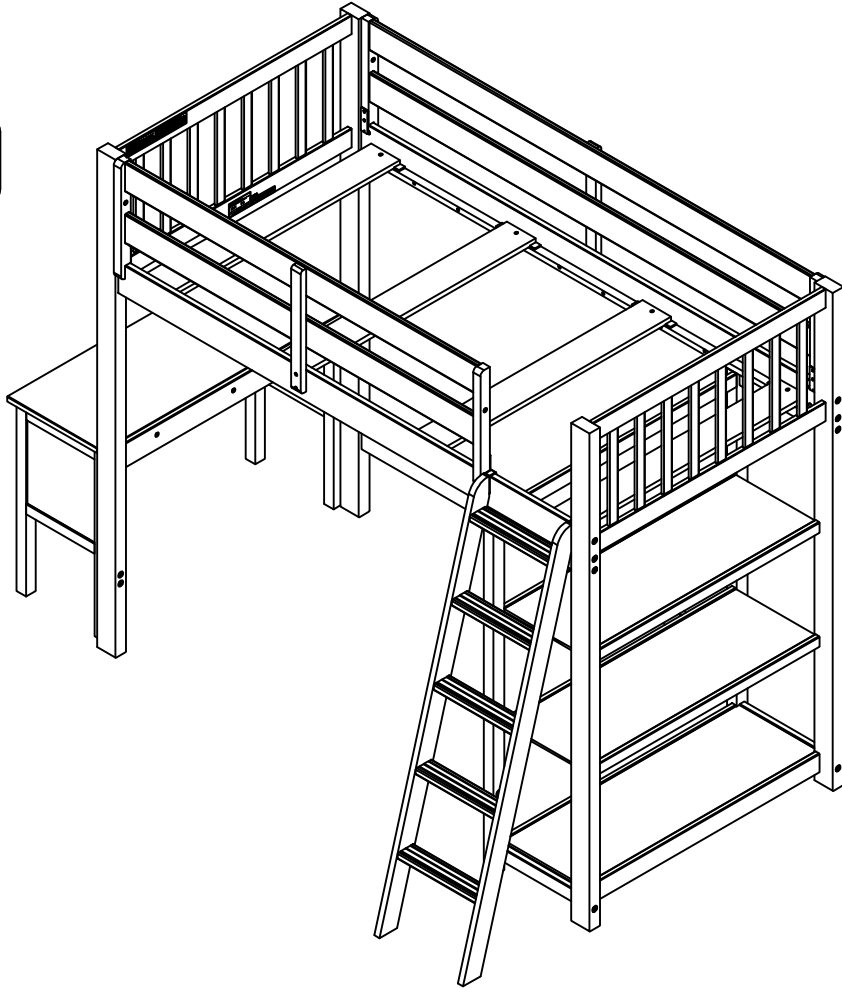
BED TYPE	LENGTH	WIDTH
TWIN	74" - 75" (188CM - 190CM)	37½" - 38½" (95CM - 98CM)
FULL	74" - 75" (188CM - 190CM)	52½" - 53½" (133CM - 135CM)

* ENSURE THICKNESS OF MATTRESS AND FOUNDATION COMBINED DOES NOT EXCEED 12" (30CM) AND MATTRESS IS AT LEAST 5" (13CM) BELOW UPPER EDGE OF GUARDRAILS. * USE GUARDRAILS ON BOTH SIDES OF UPPER BUNK.
 * PROHIBIT HORSEPLAY ON OR UNDER BED(S). * PROHIBIT MORE THAN ONE PERSON ON THE UPPER BUNK.
 * USE LADDER FOR ENTERING AND LEAVING UPPER BUNK **STRANGULATION HAZARD**. * NEVER ATTACH OR HANG ITEMS TO ANY PART OF THE BUNK BED THAT ARE NOT DESIGNED FOR USE WITH THE BED FOR EXAMPLE BUT NOT LIMITED TO HOOKS, BELTS, AND JUMP ROPE. **DSO NOT REMOVE THIS LABEL.**



80%

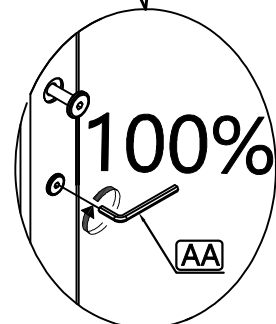
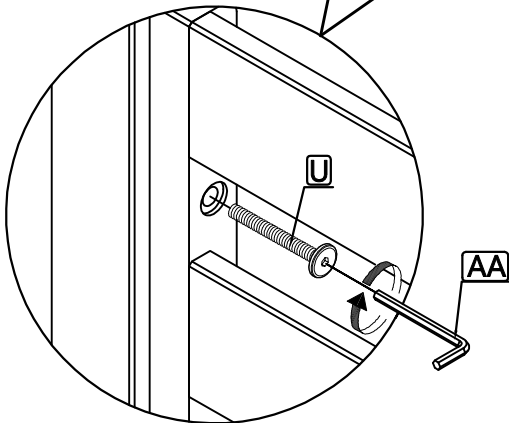
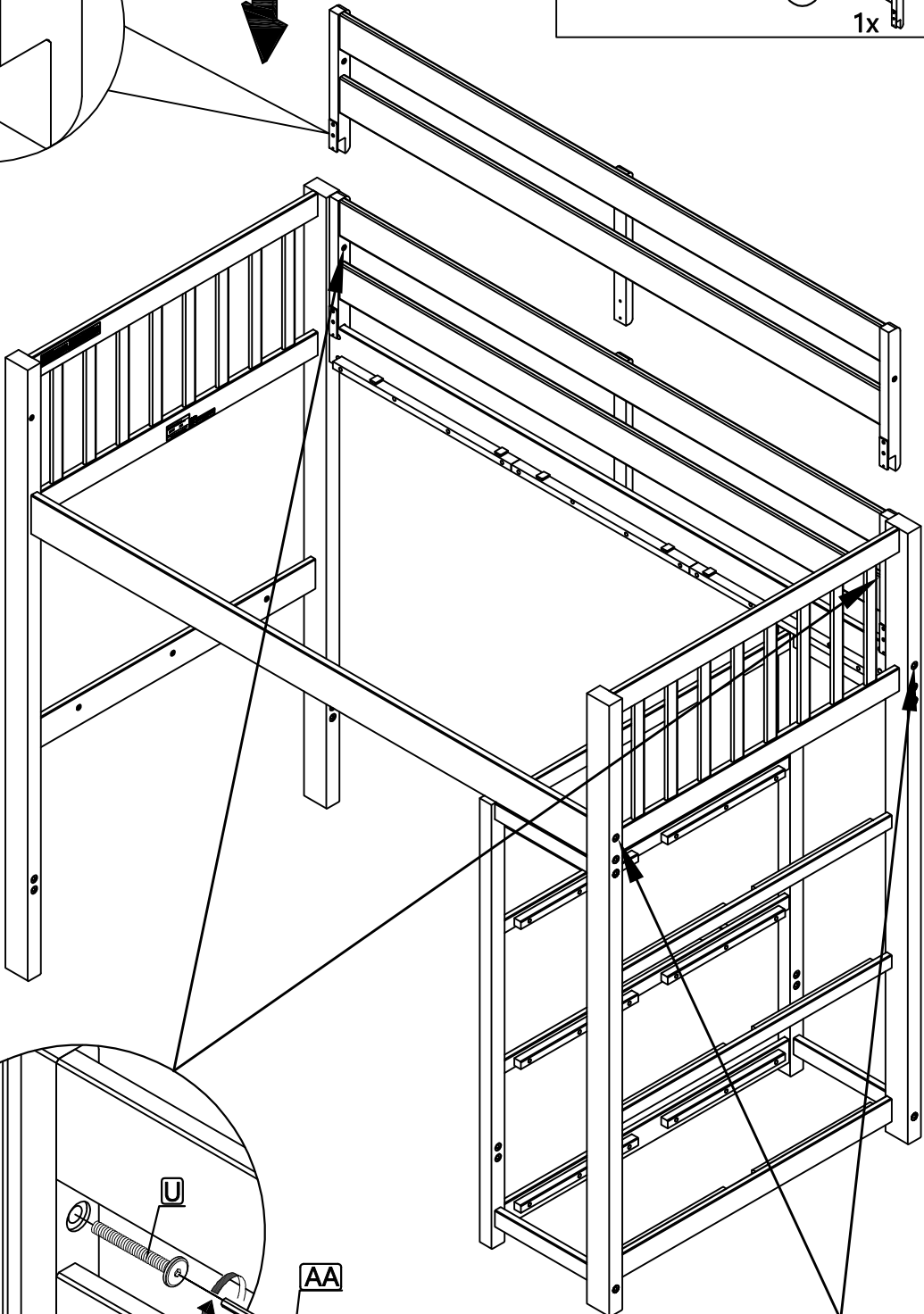
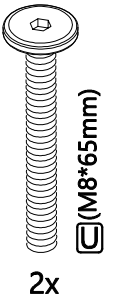
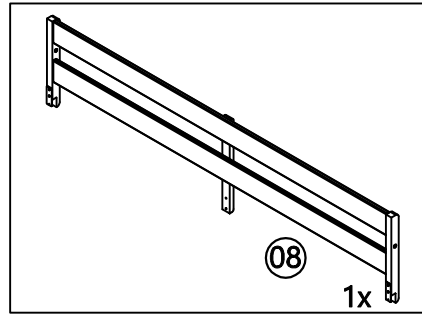
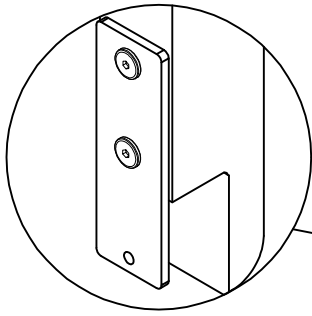
RIGHT



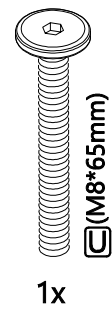
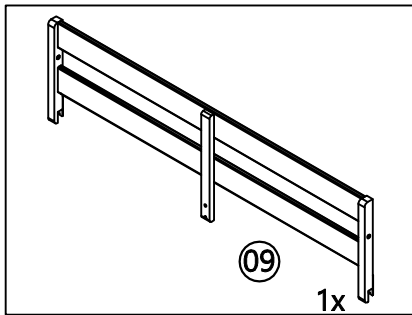
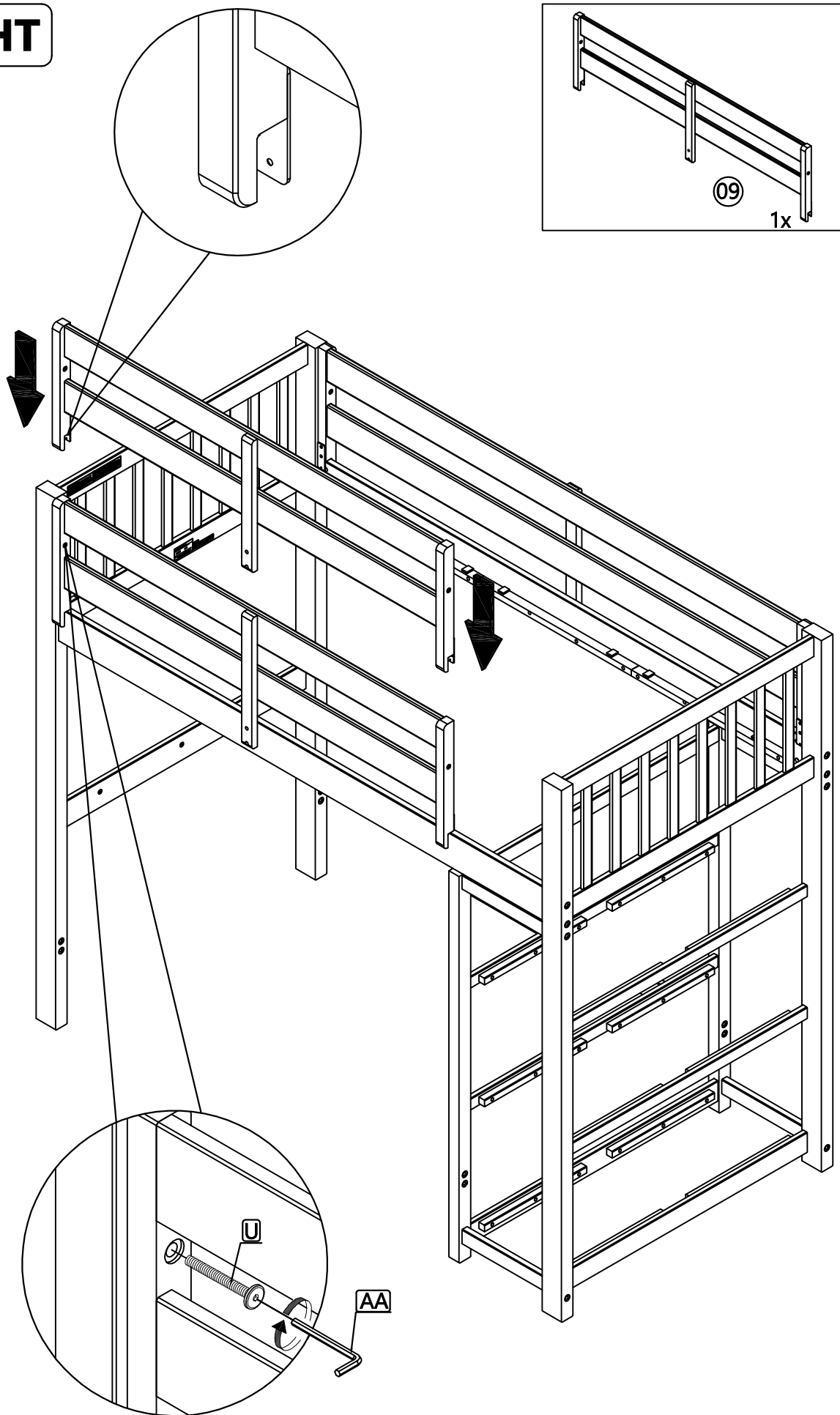
LEFT



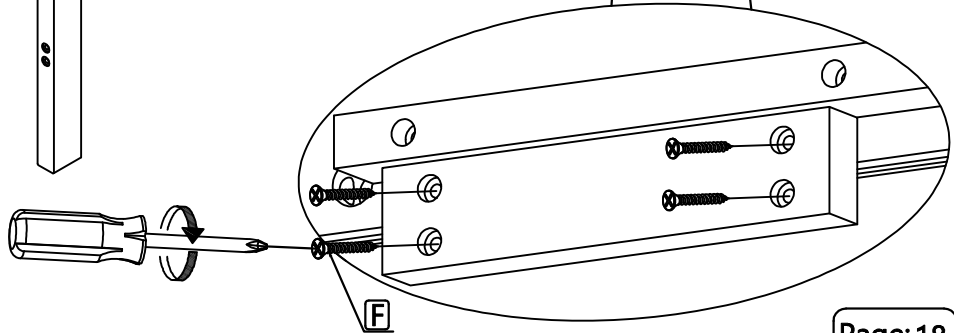
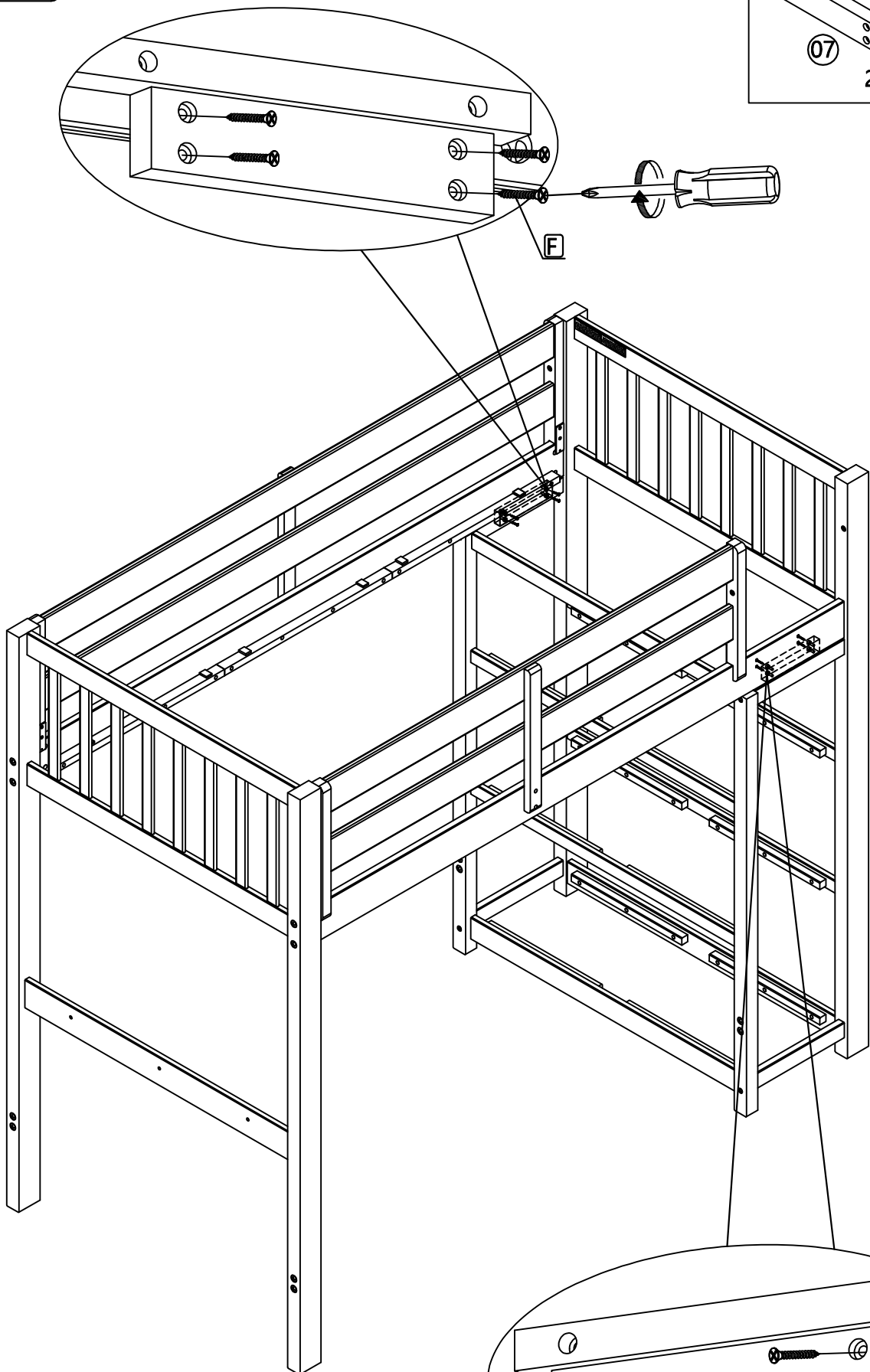
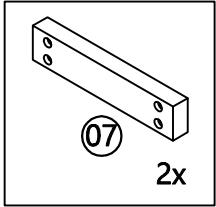
RIGHT





RIGHT

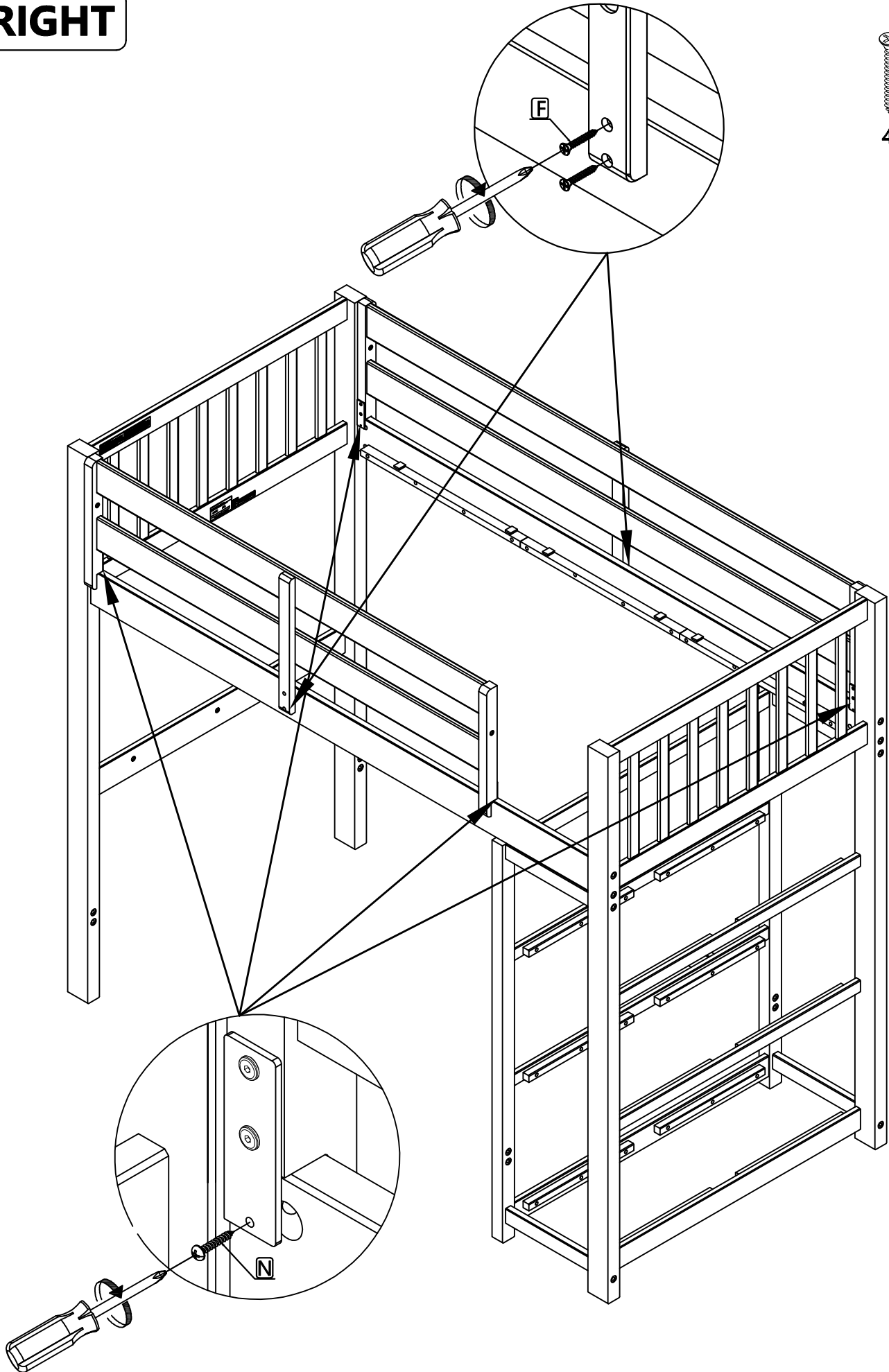


RIGHT

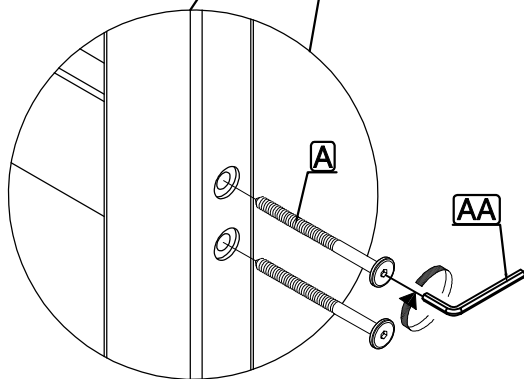
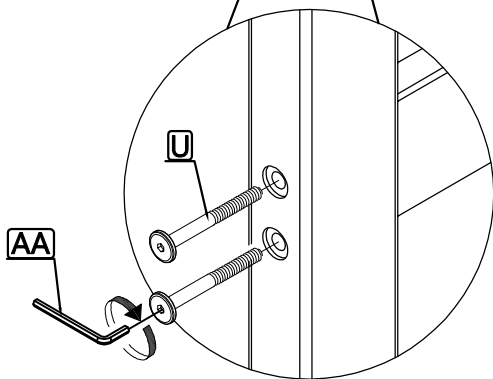
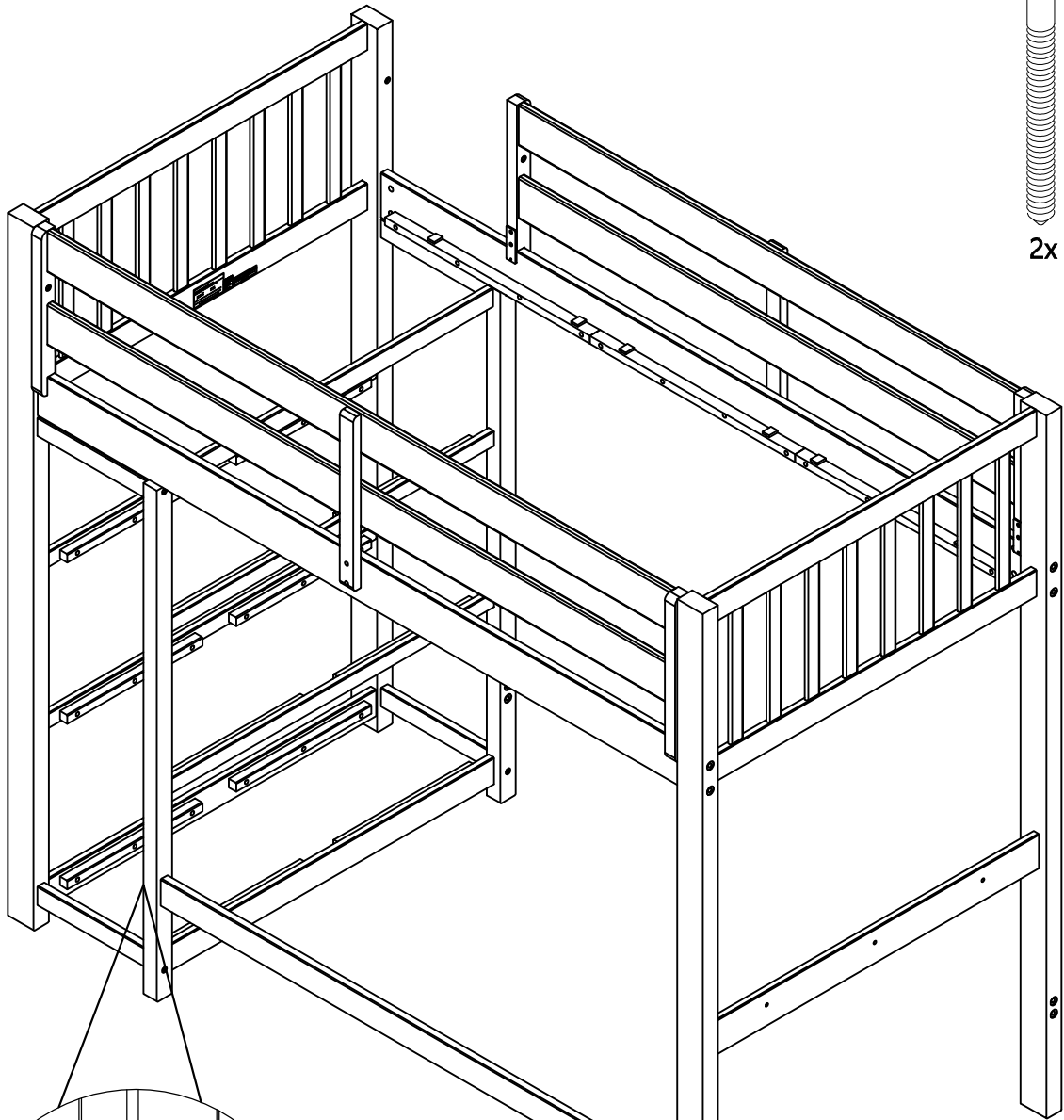
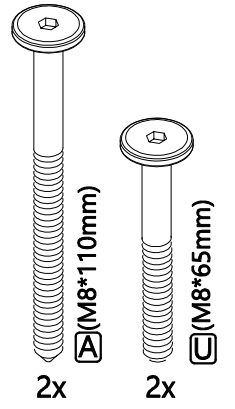


RIGHT

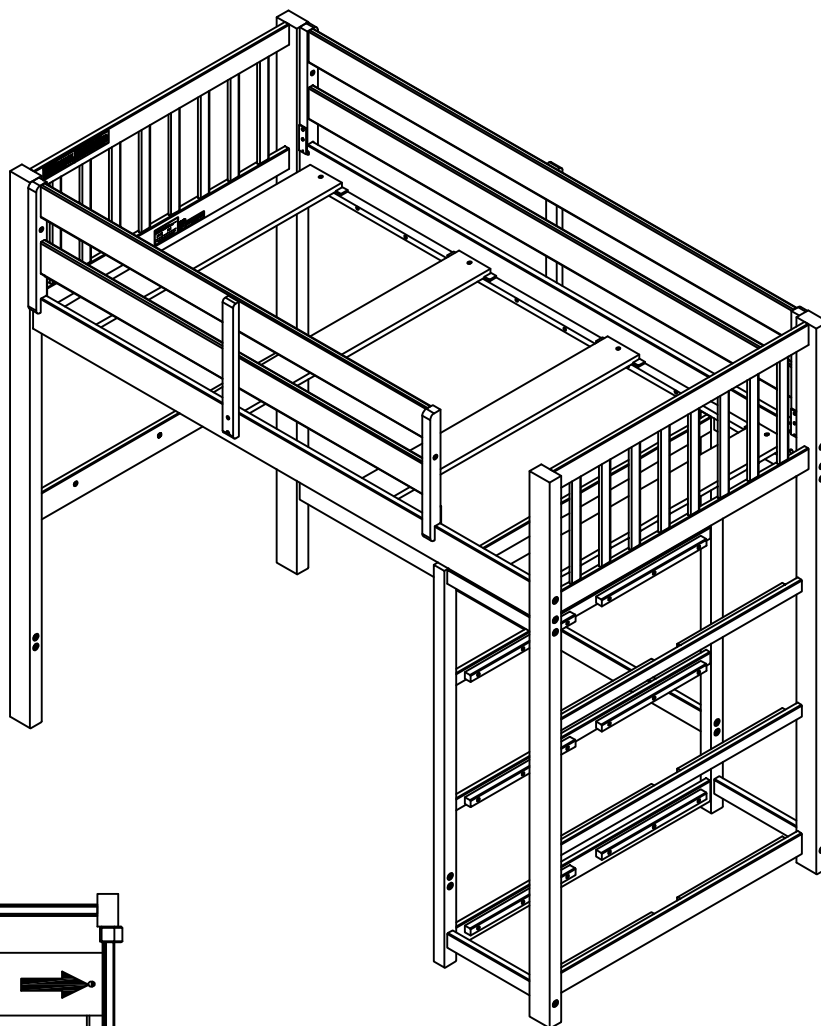
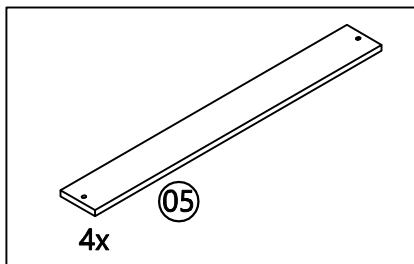
-  (4*30mm)
4x
-  (4*20mm)
4x




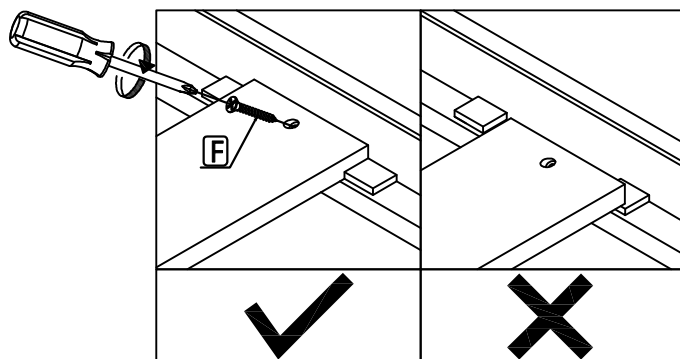
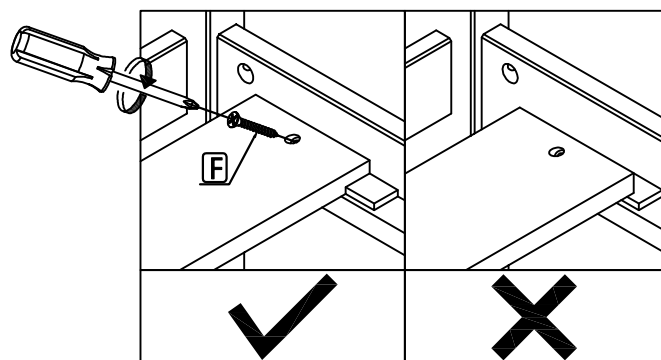
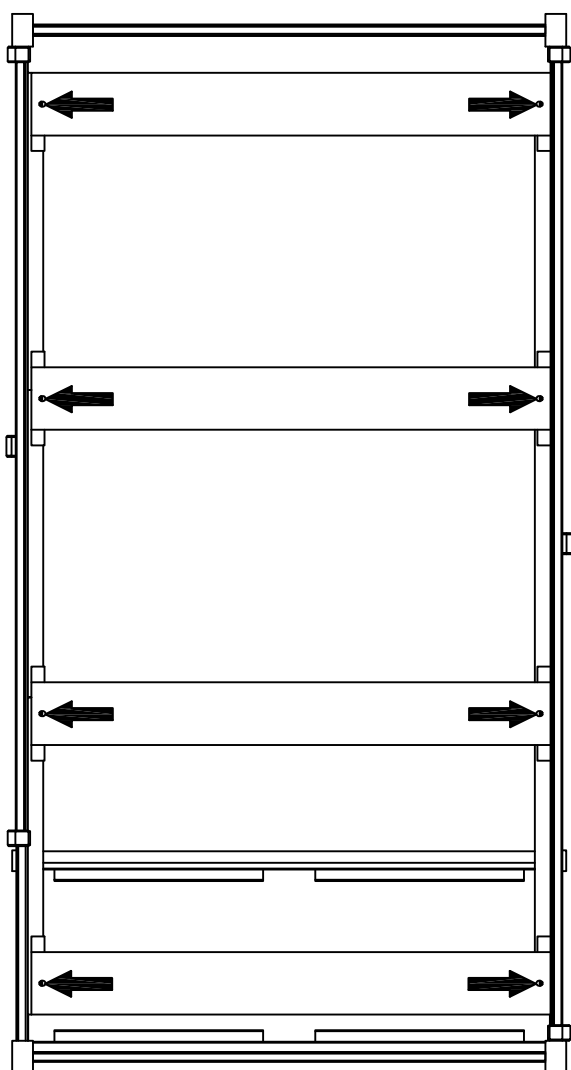
RIGHT



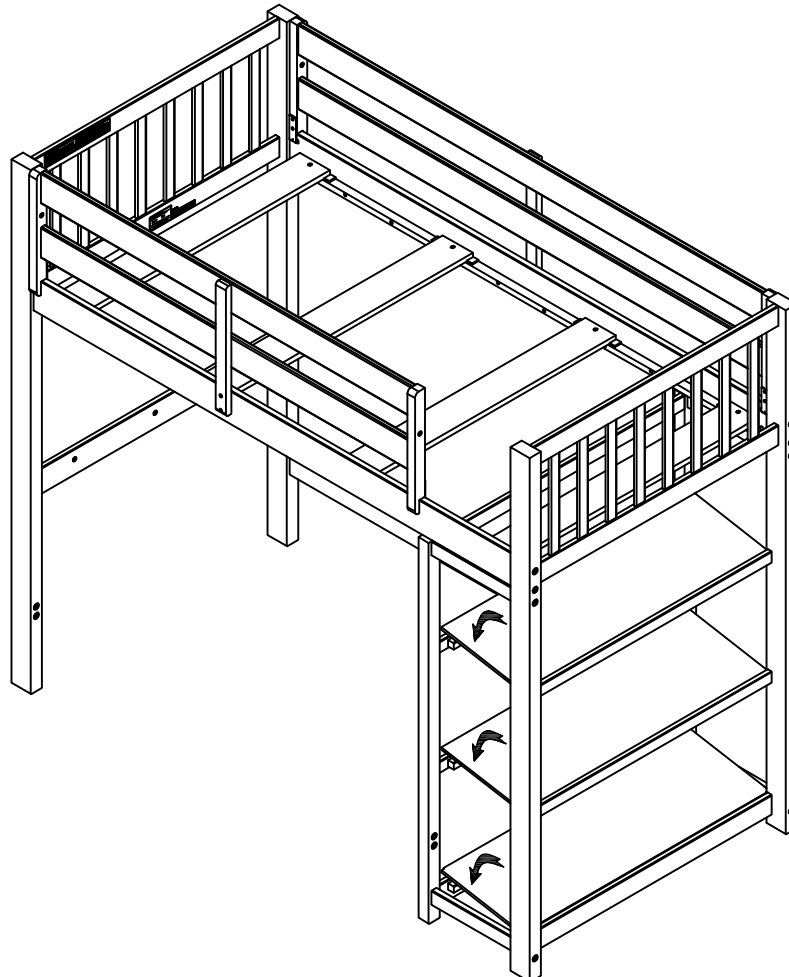
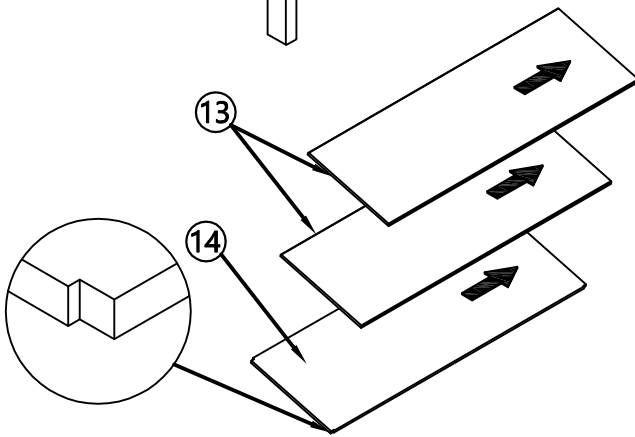
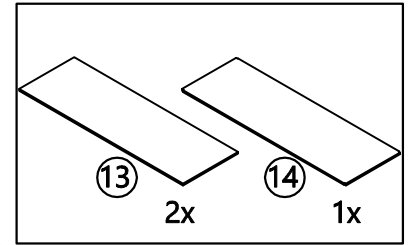
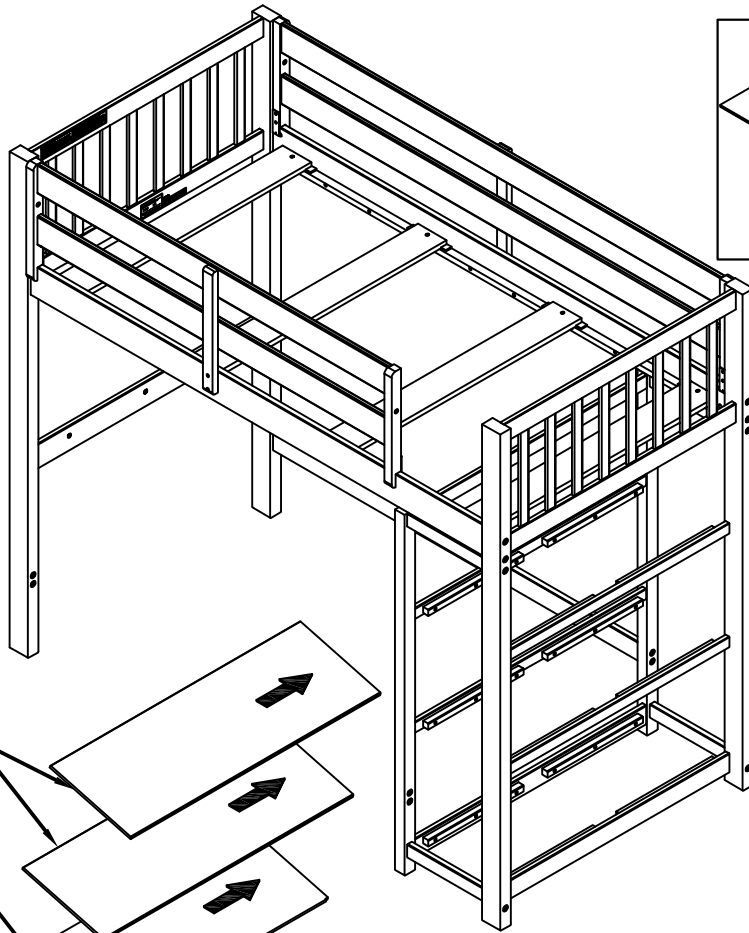
RIGHT



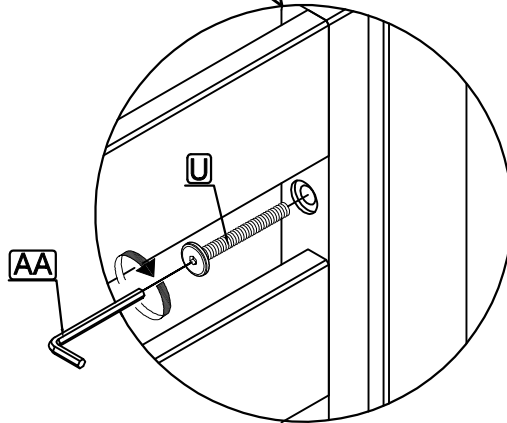
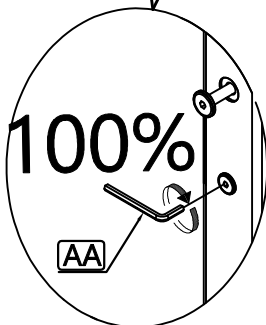
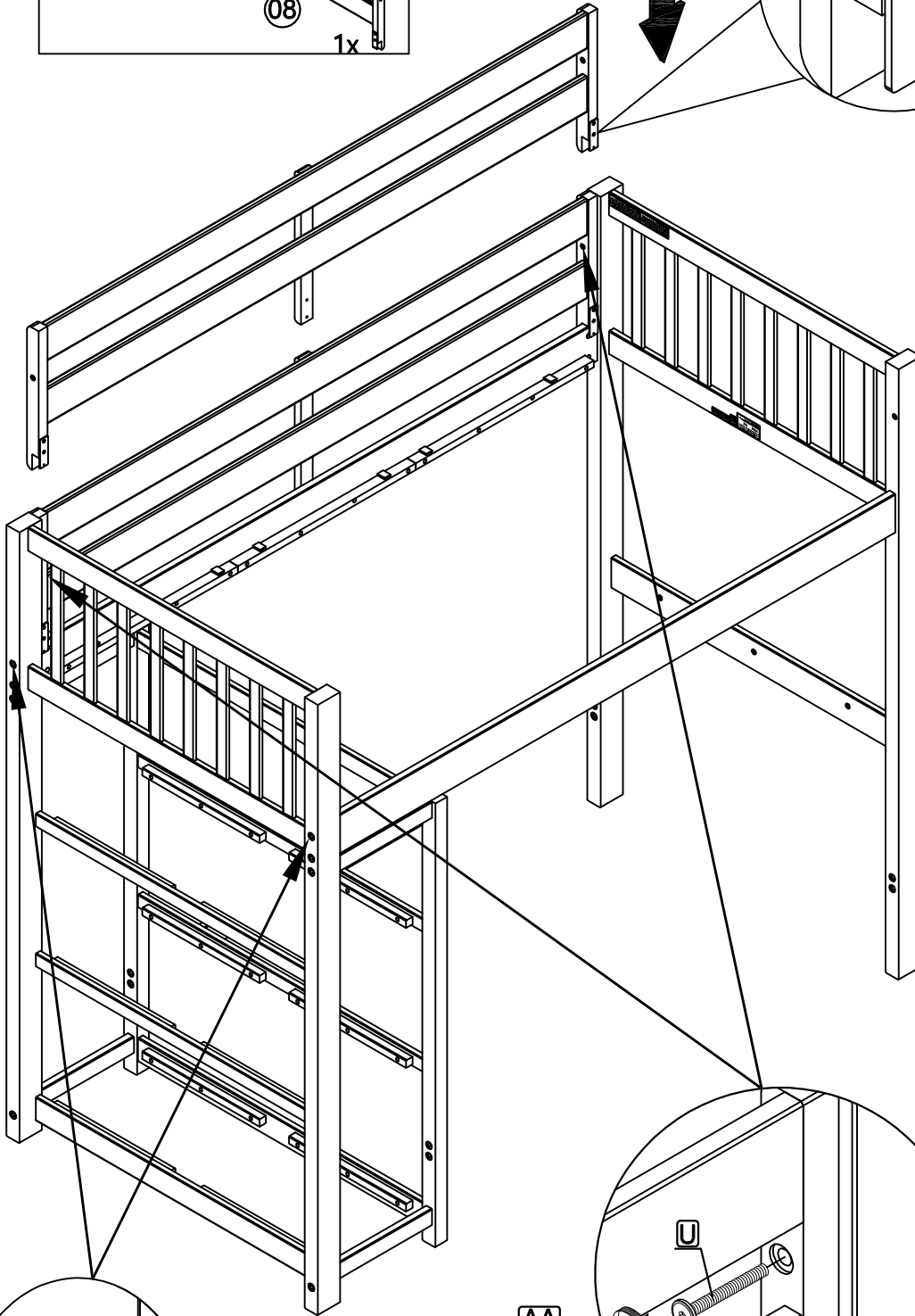
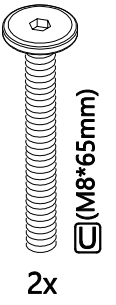
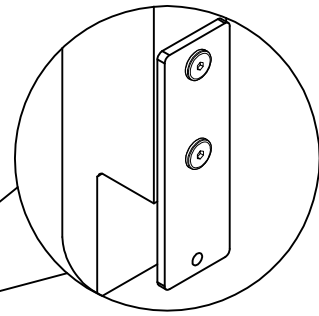
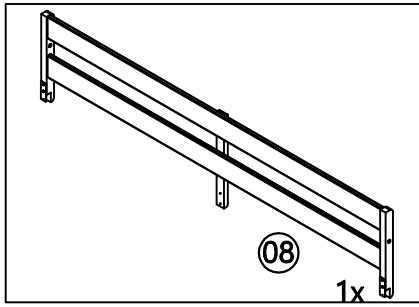
 (4*30mm)
8x



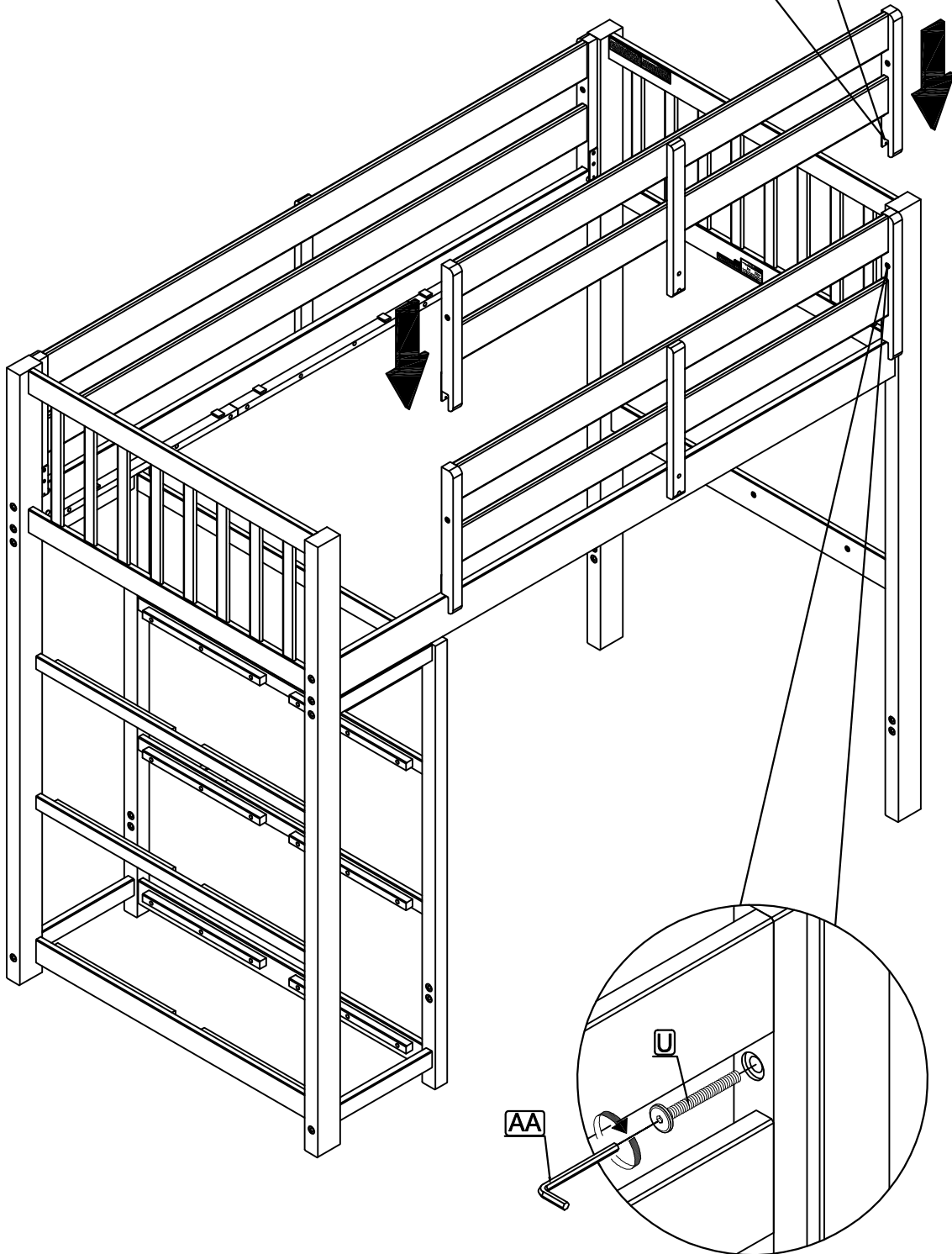
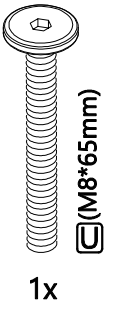
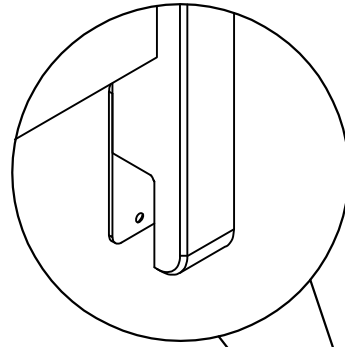
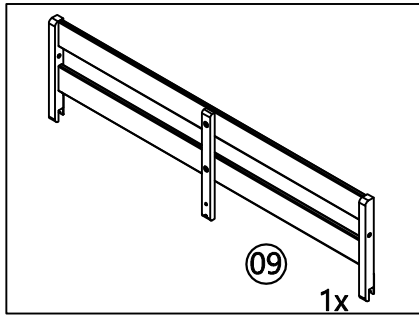
RIGHT



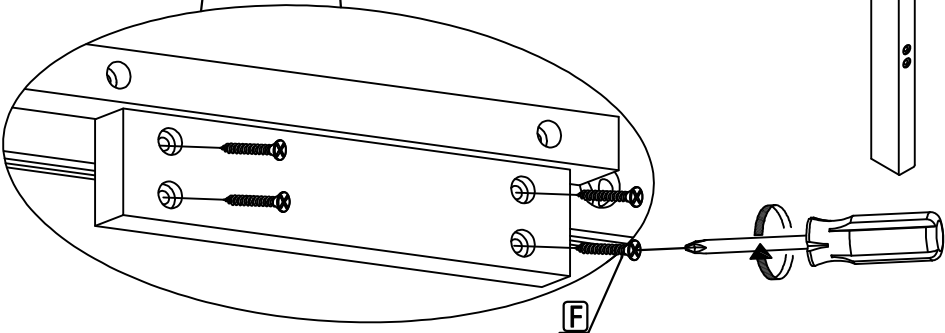
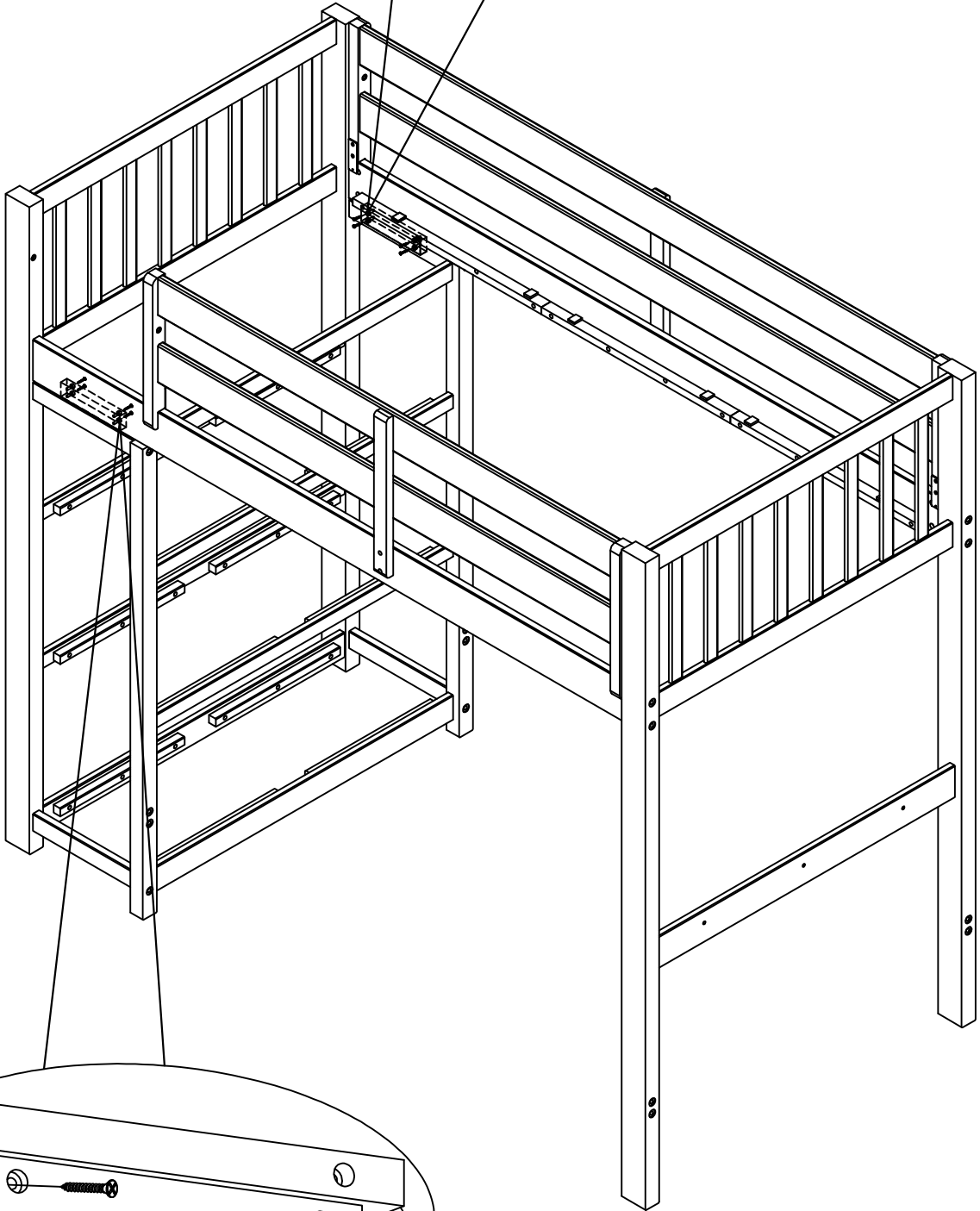
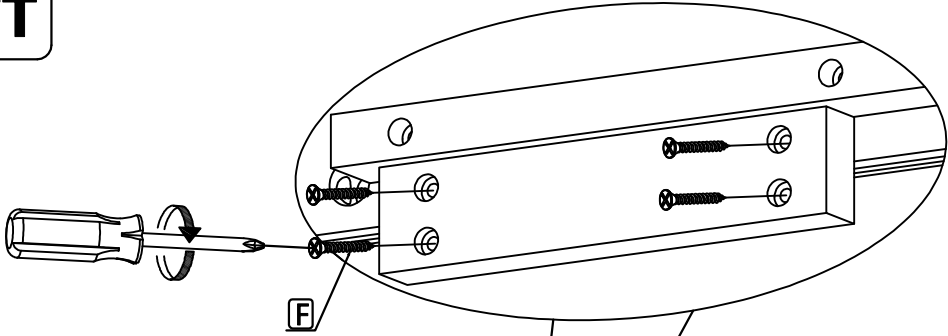
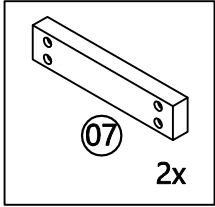
LEFT





LEFT

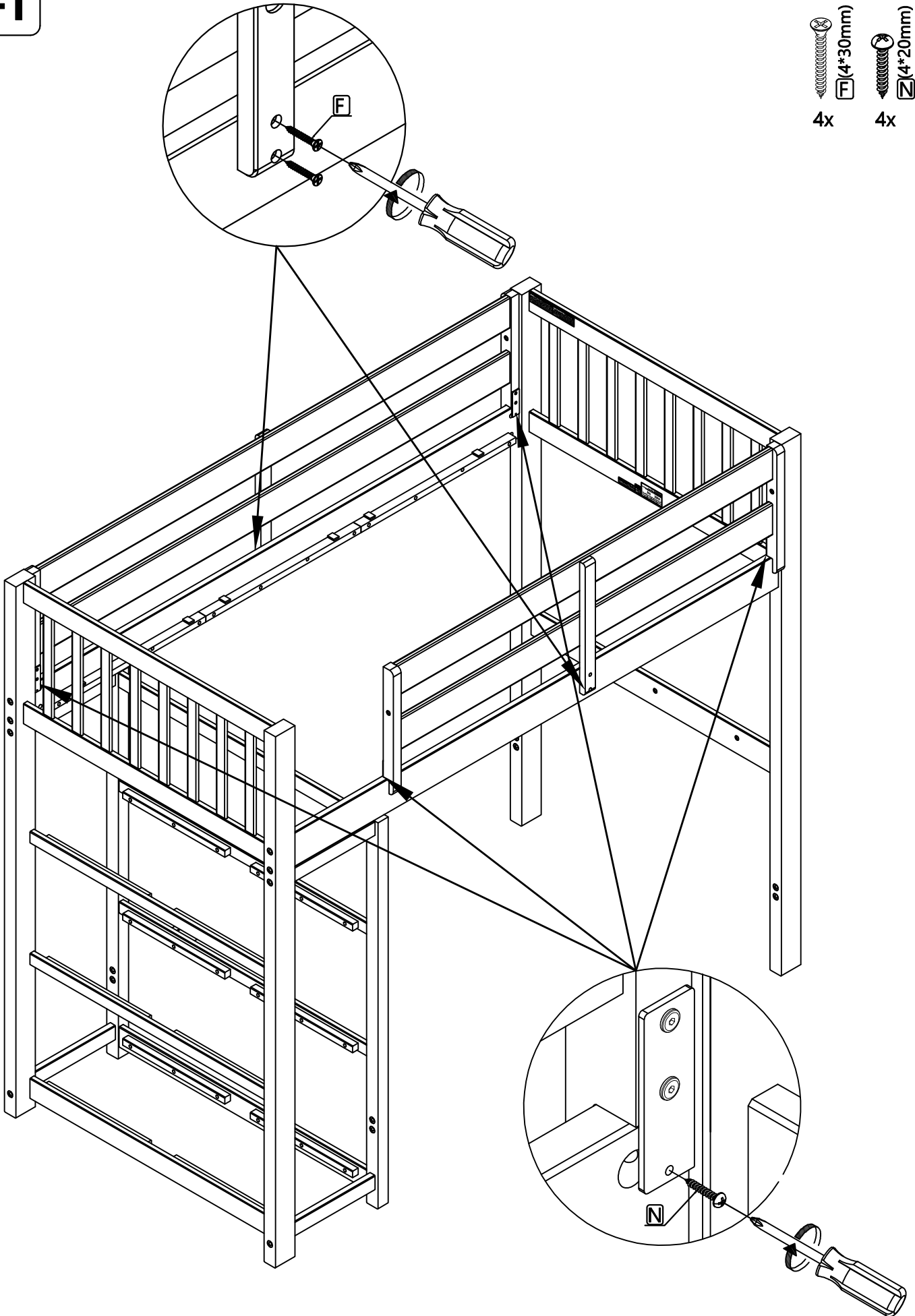


LEFT

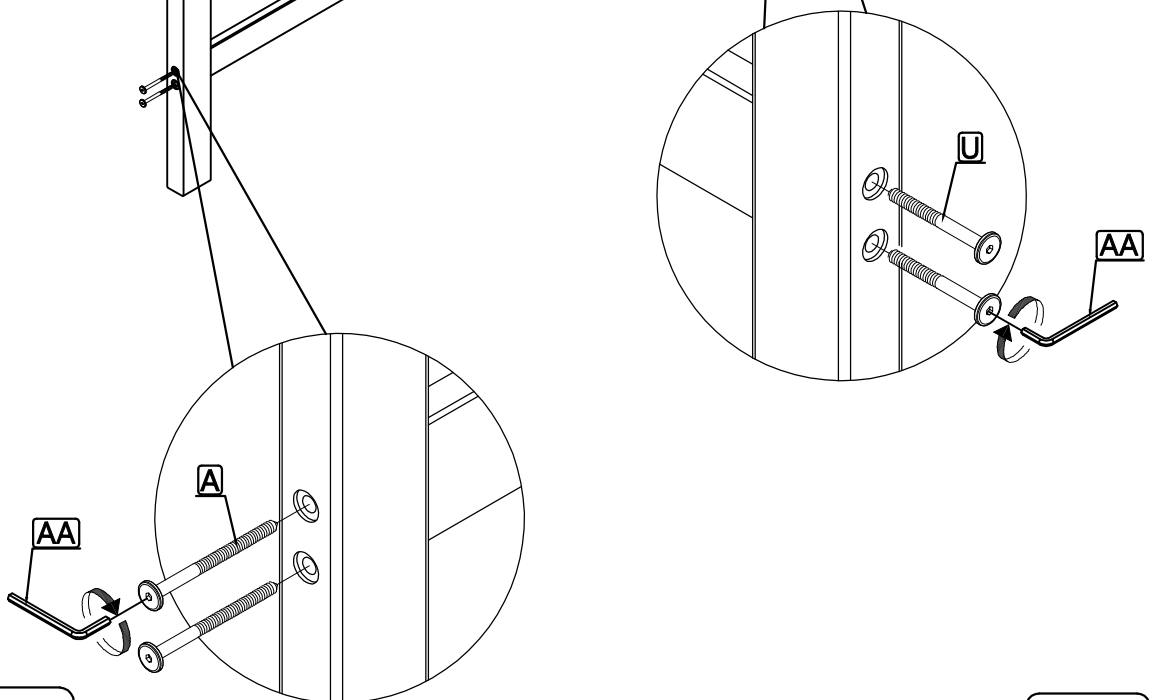
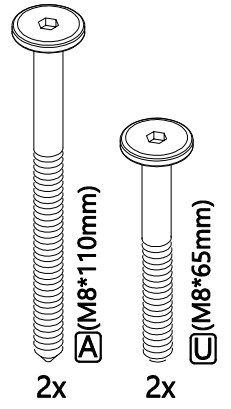
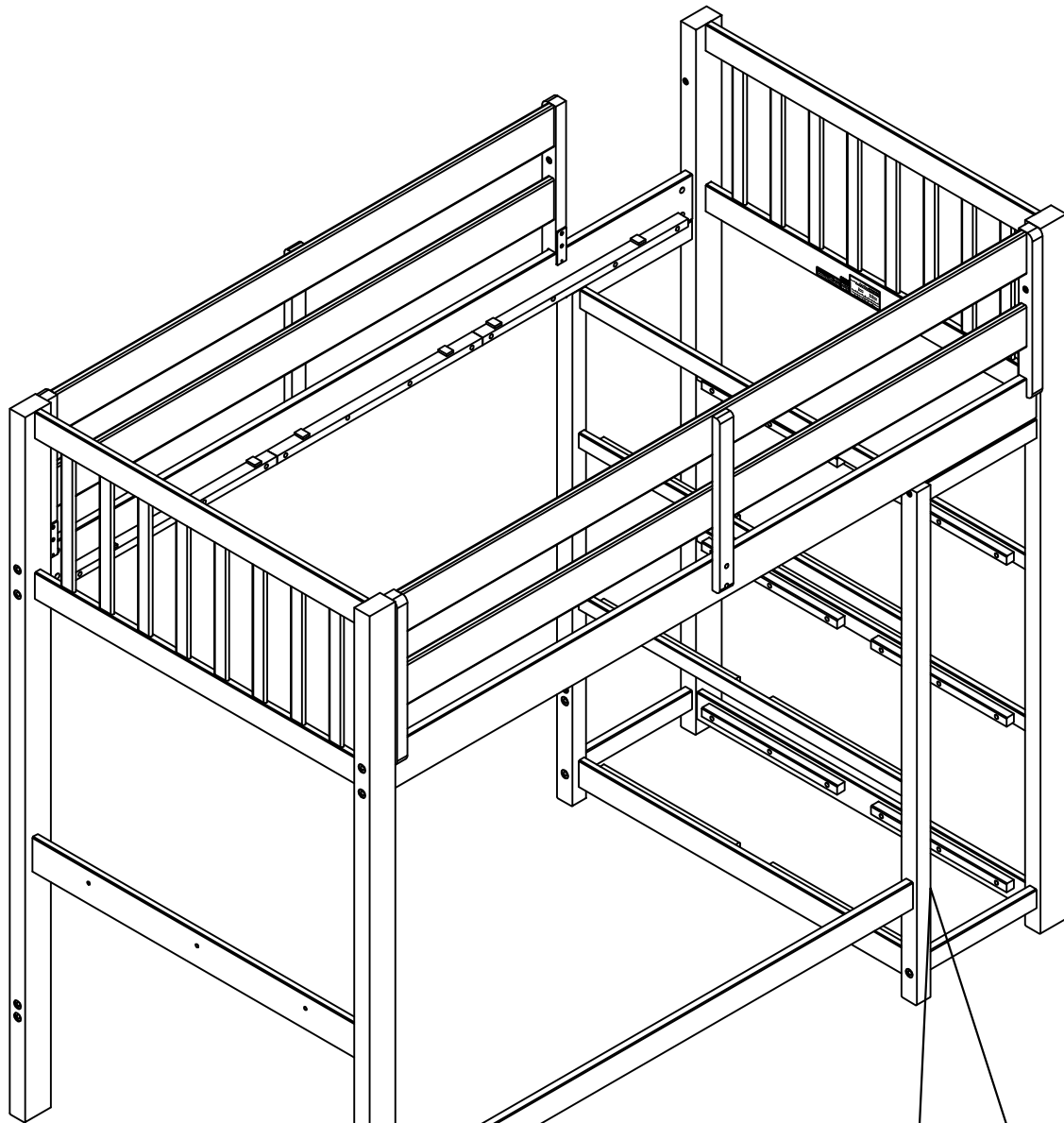


LEFT

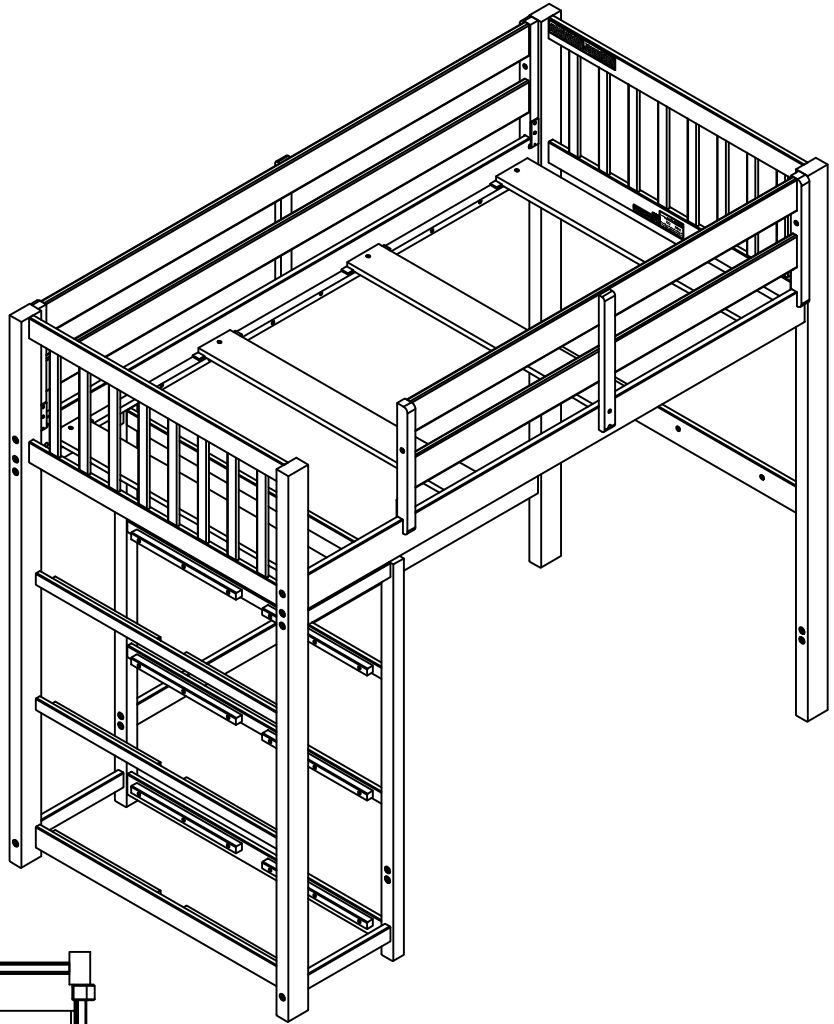
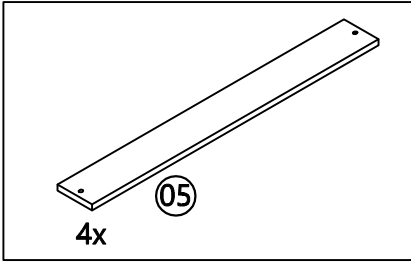
-  (4*30mm)
-  (4*20mm)
- 4x
- 4x



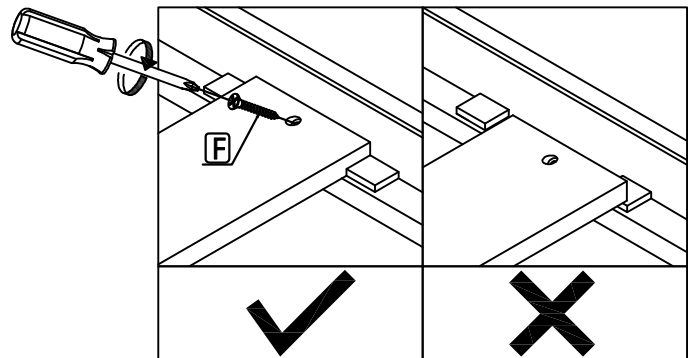
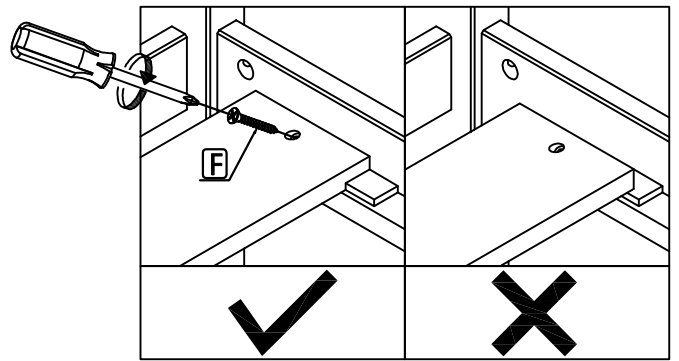
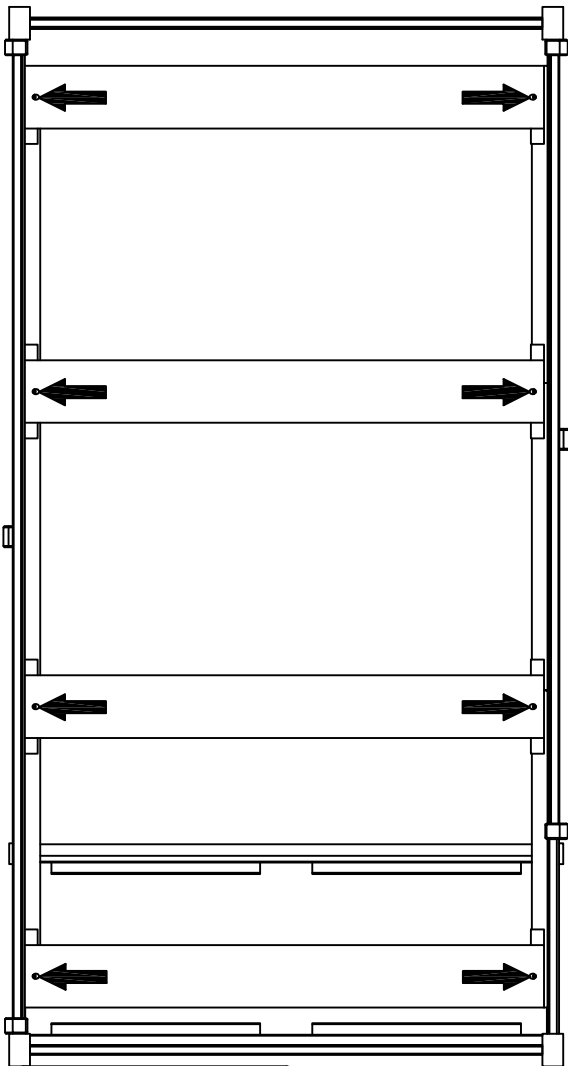
LEFT



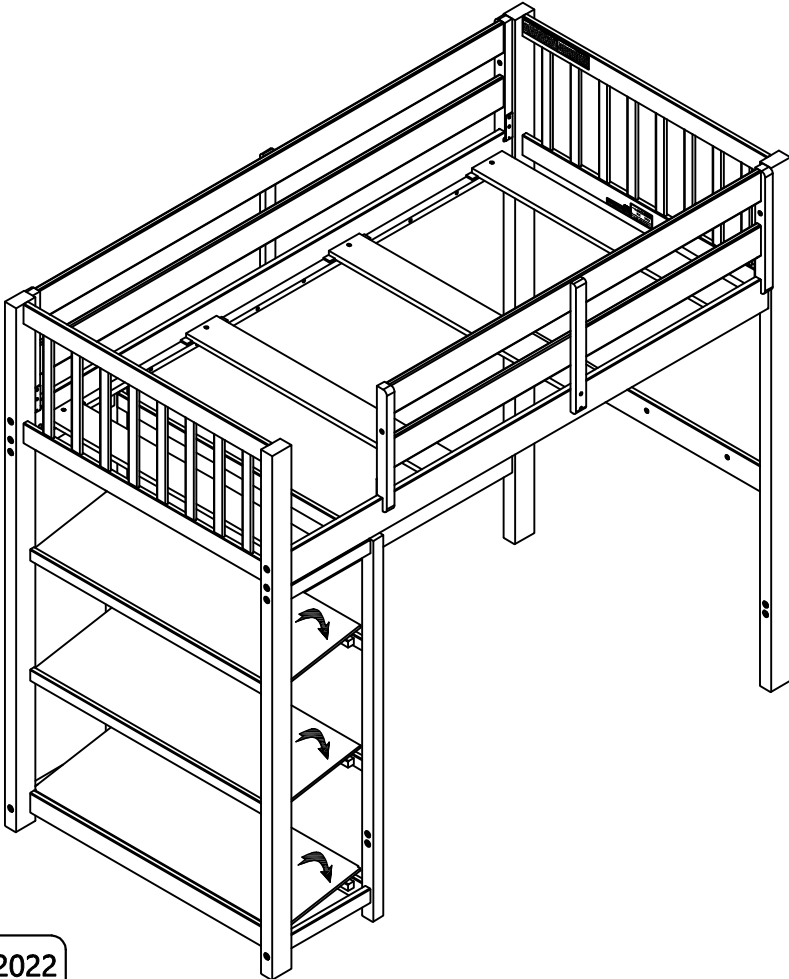
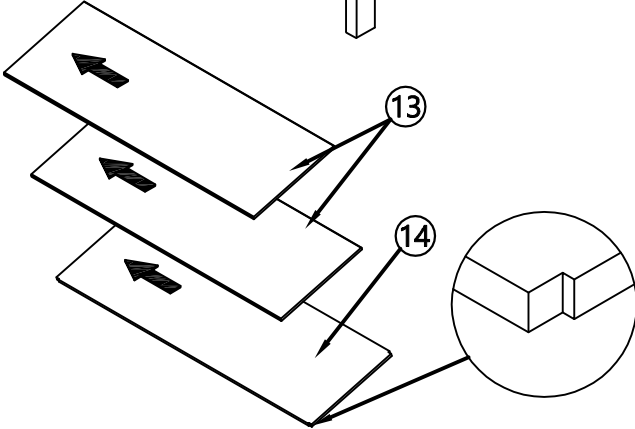
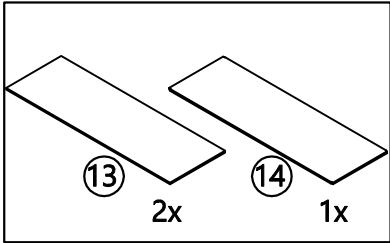
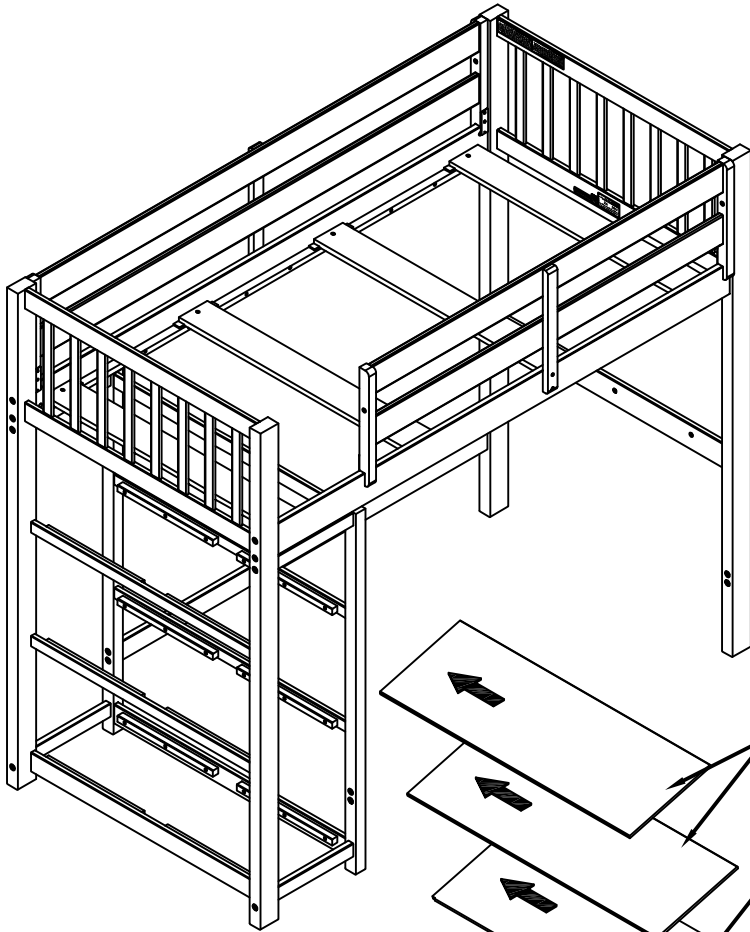
LEFT

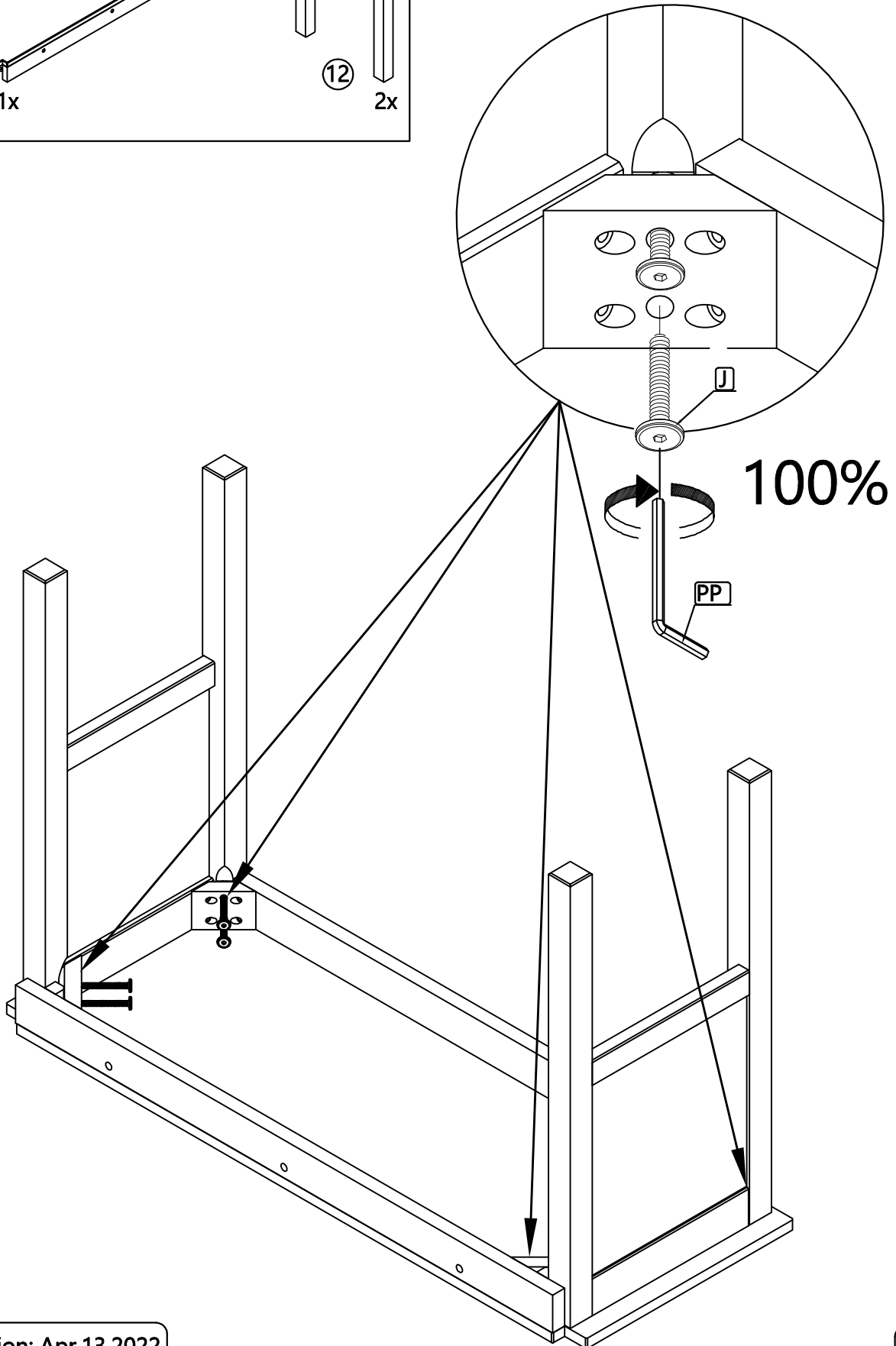
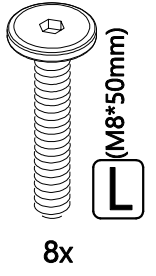
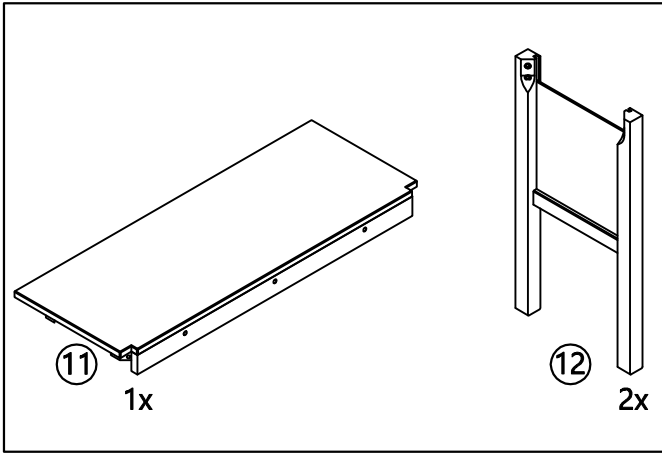


8x
F (4*30mm)

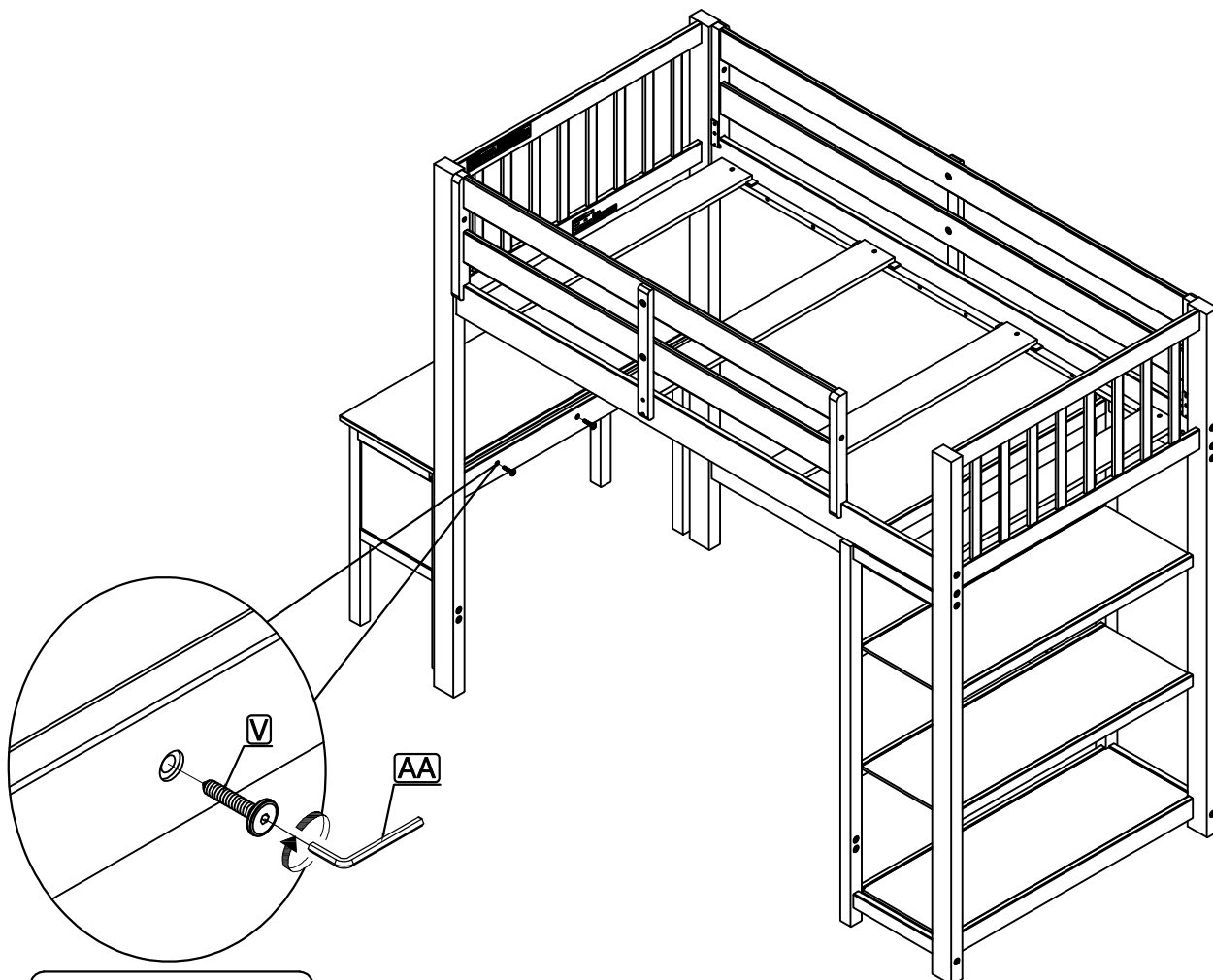
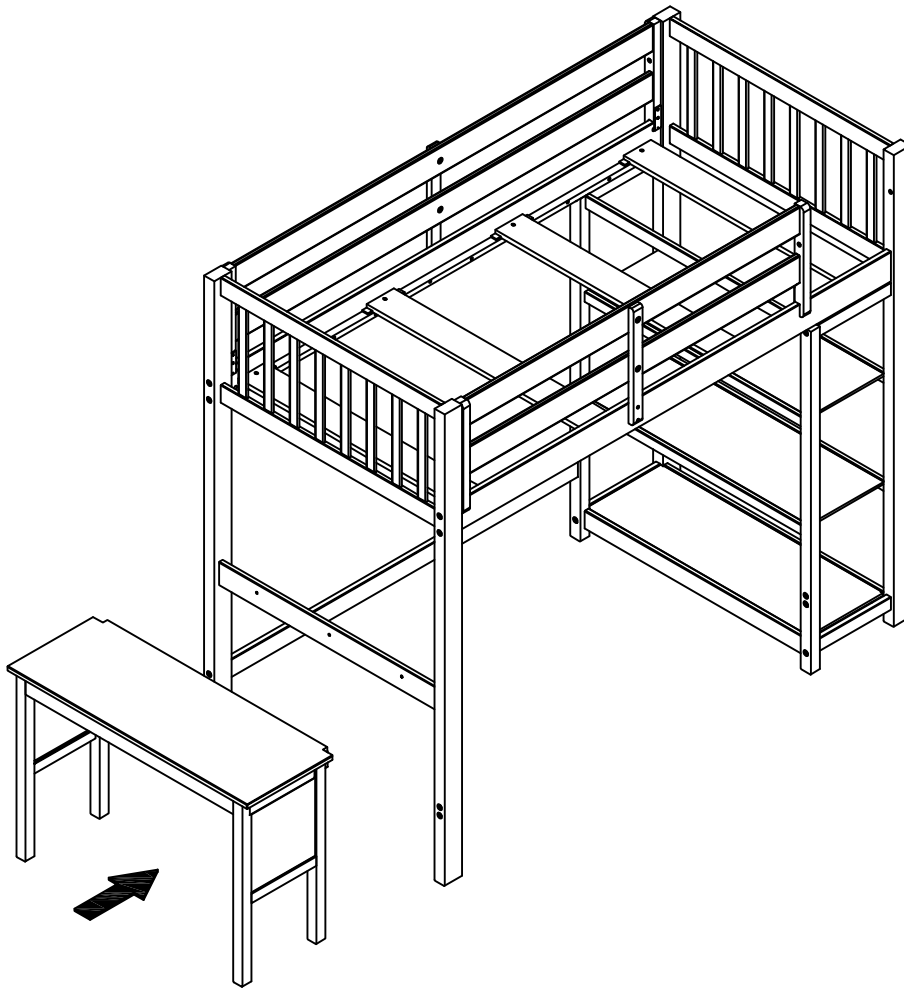


LEFT

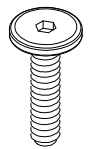
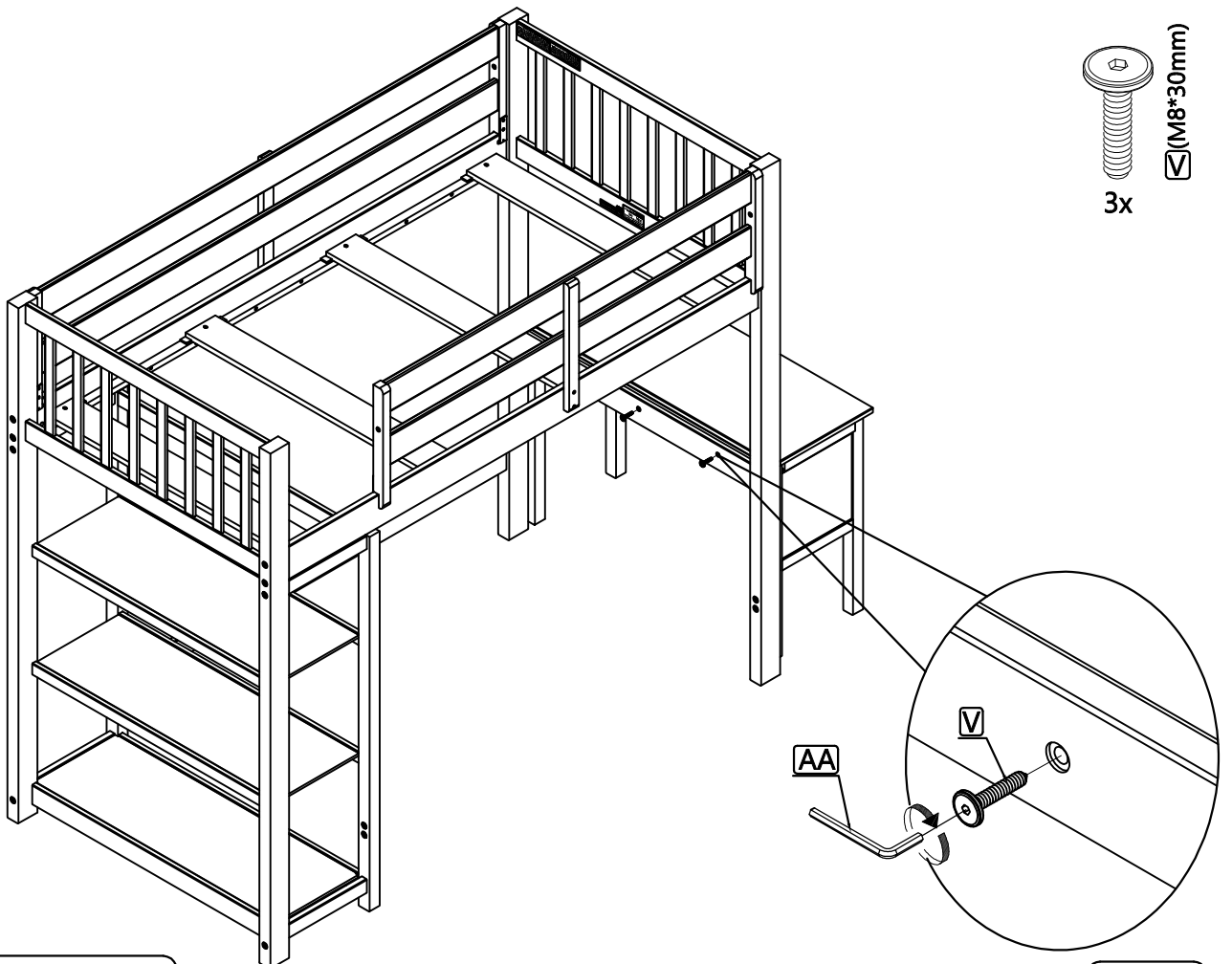
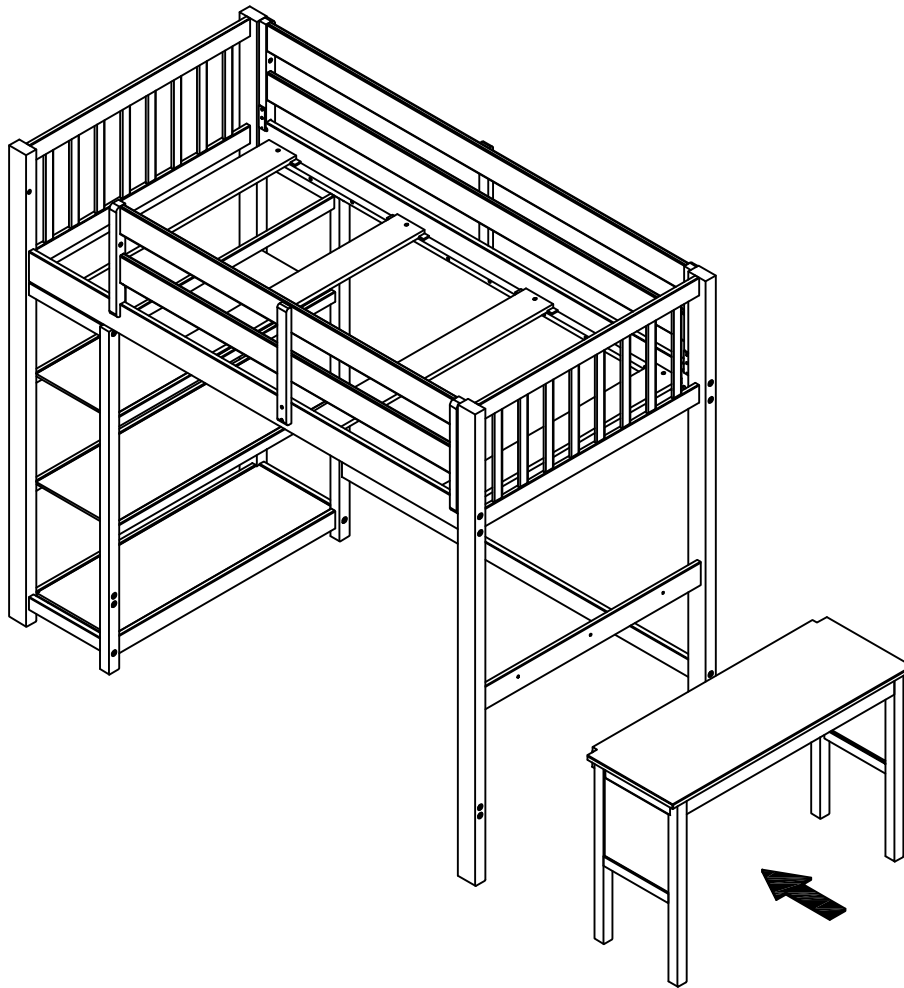




RIGHT



LEFT



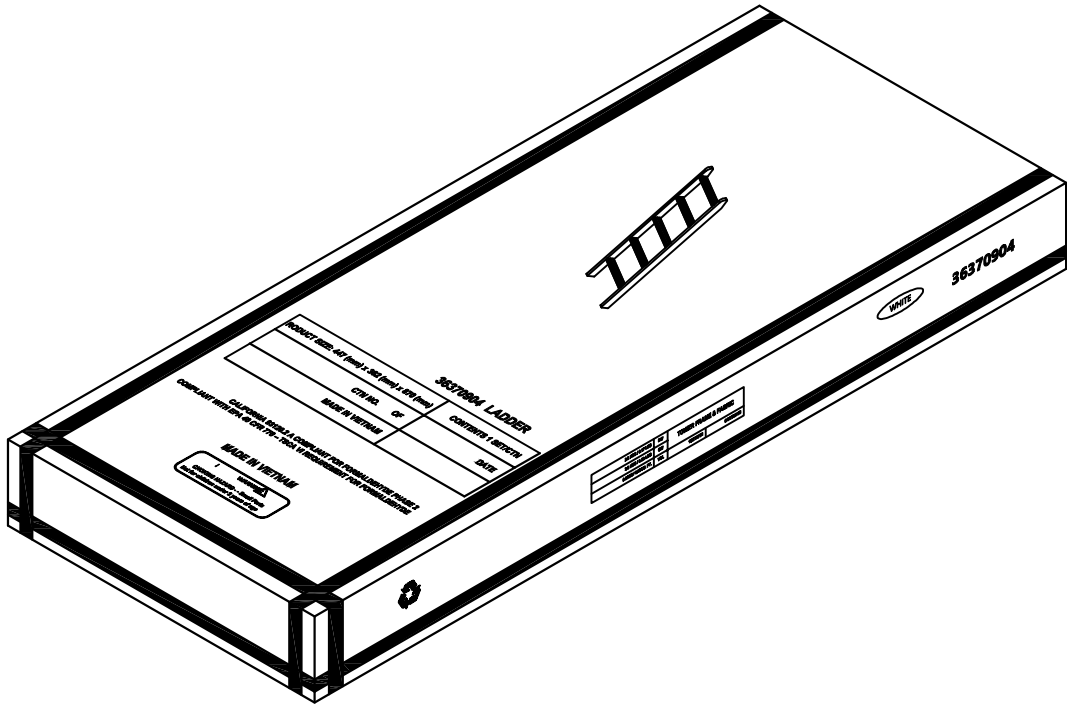
✓ (M8*30mm)

3x

AA

✓

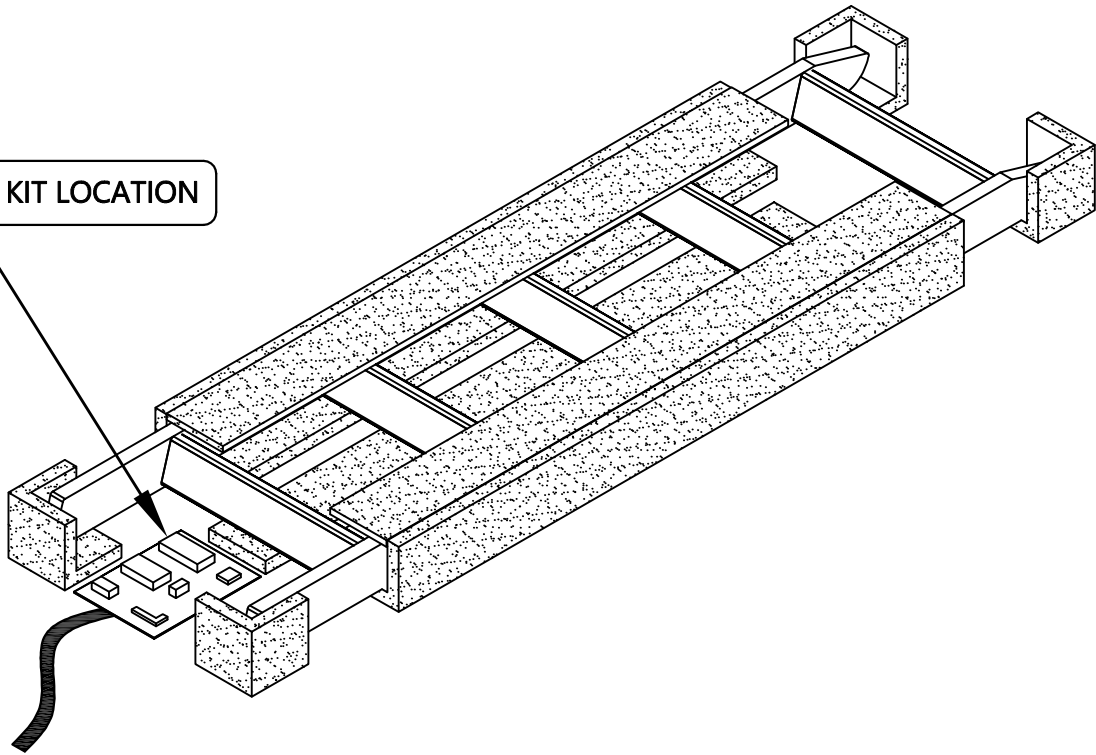
SKU #35170214 – Style #70218-182 or SKU #35170226 – Style #70218-183

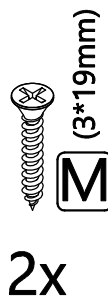
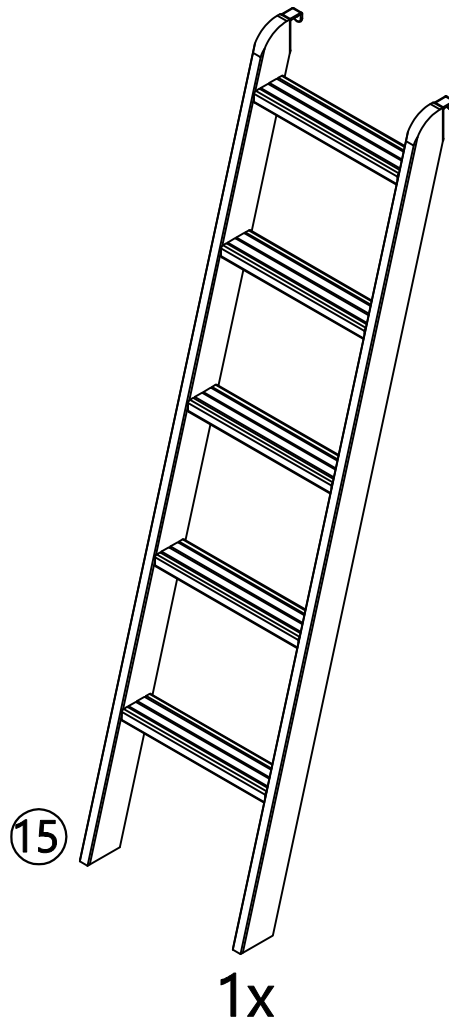


Open
Ouvert
Abierto



HARDWARE KIT LOCATION

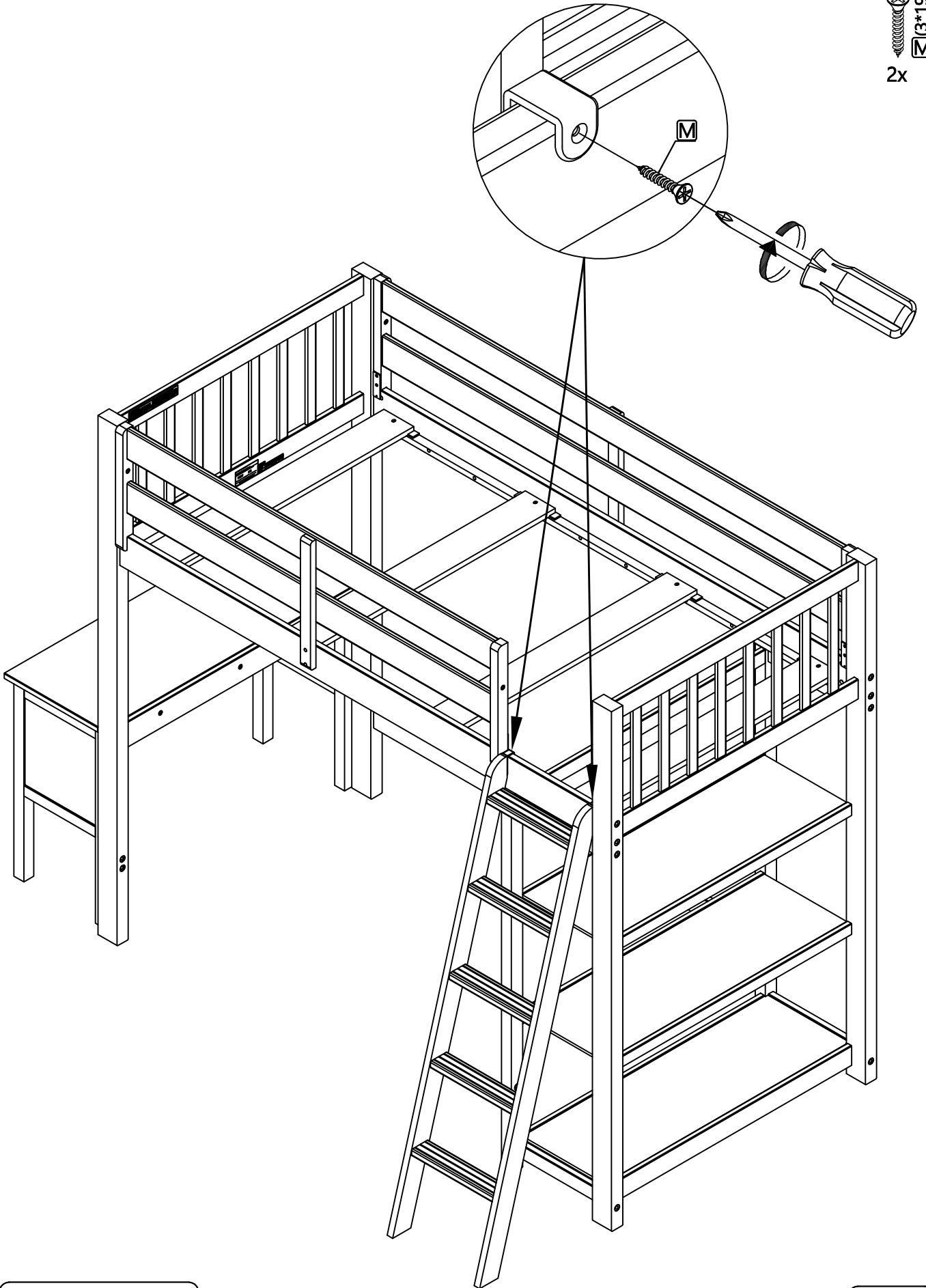




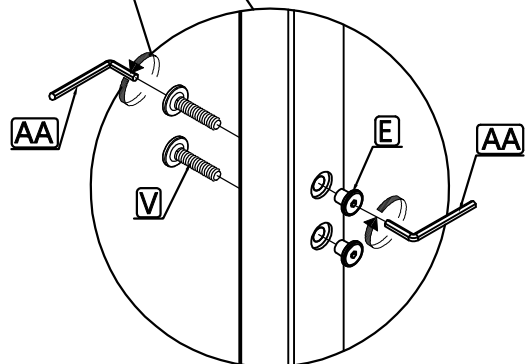
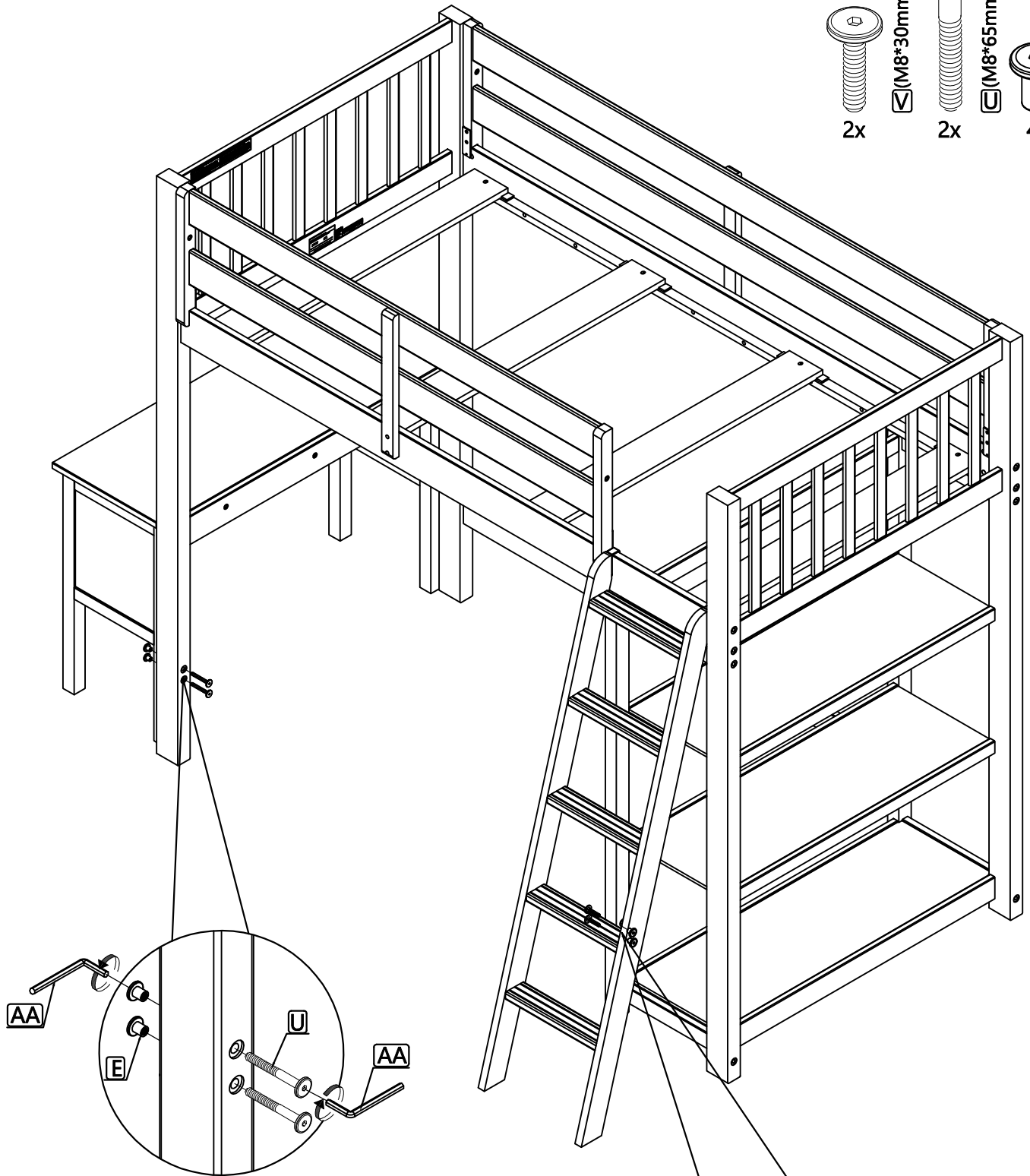
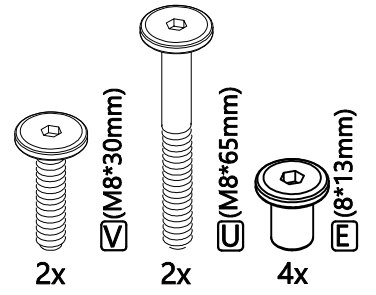
<p>⚠ WARNING: <i>CHOKING HAZARD</i> Small Parts Not for children under 3 years. To be Assembled by an Adult</p>	<p>⚠ ATTENTION: <i>RISQUE D'ÉTOUFFEMENT</i> Petites parties Ne convient pas aux enfants de moins de 3 ans. Doit être assemblé par un adulte</p>	<p>⚠ ADVERTENCIA <i>PELIGRO DE ASFIXIA</i> Partes pequeñas No apta para niños menores de 3 años A ser ensamblado por un adulto</p>	<p>Not Included Non Inclus No Incluido</p> 
--	--	---	--

RIGHT

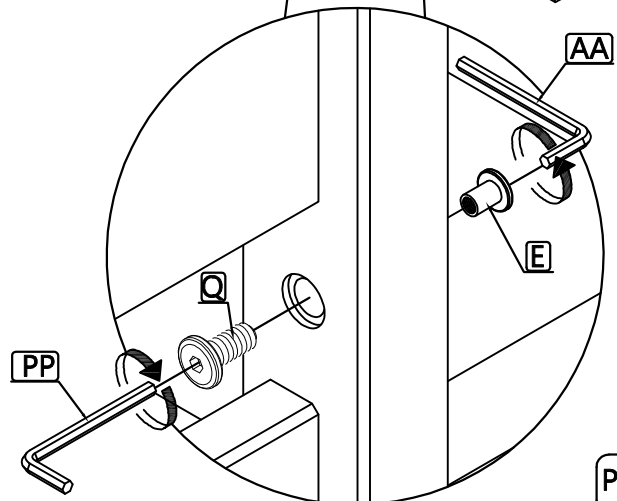
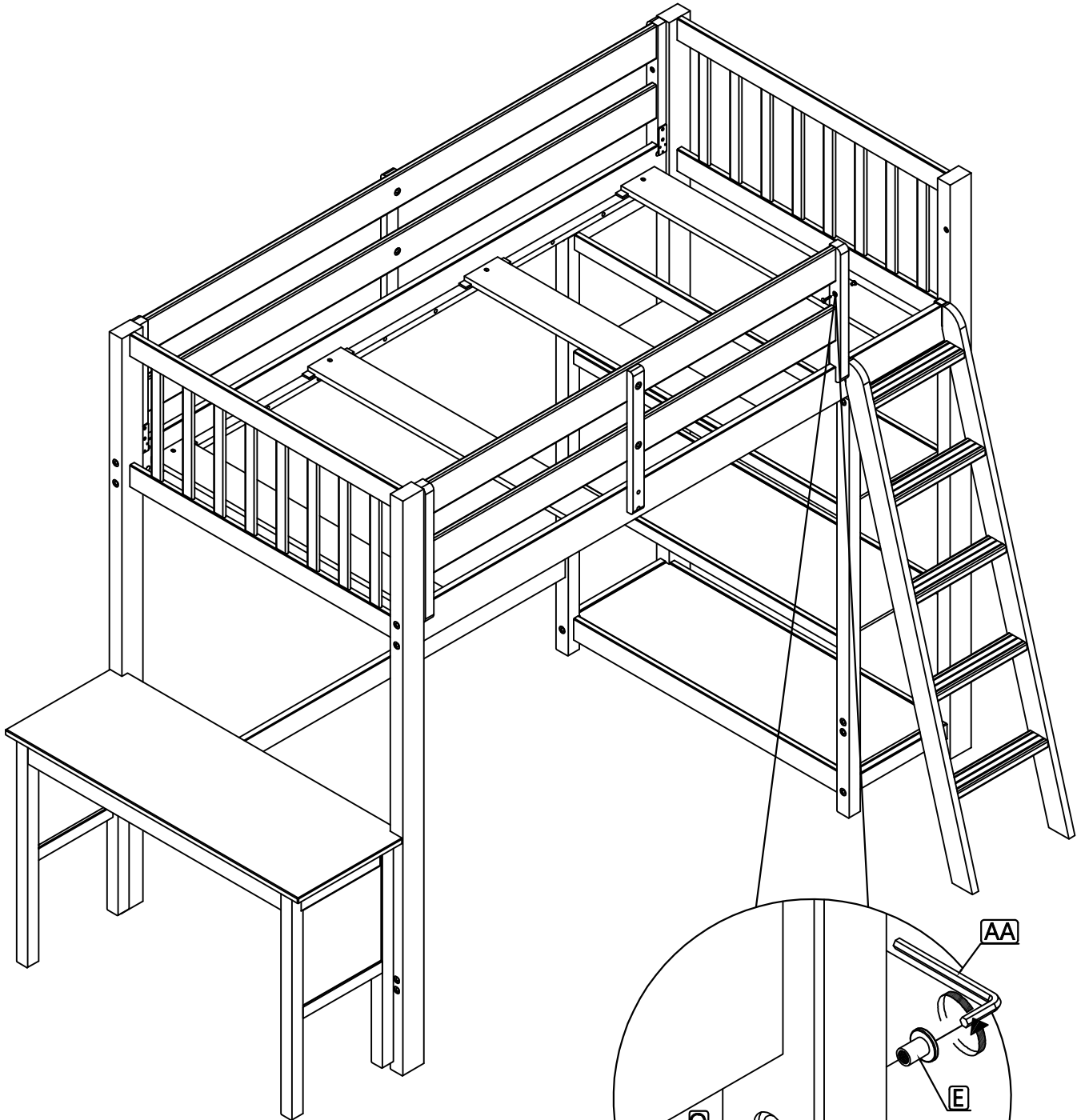
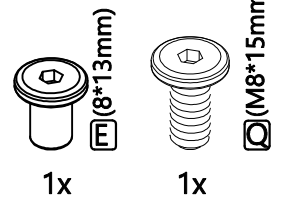
2x
M (3*19mm)



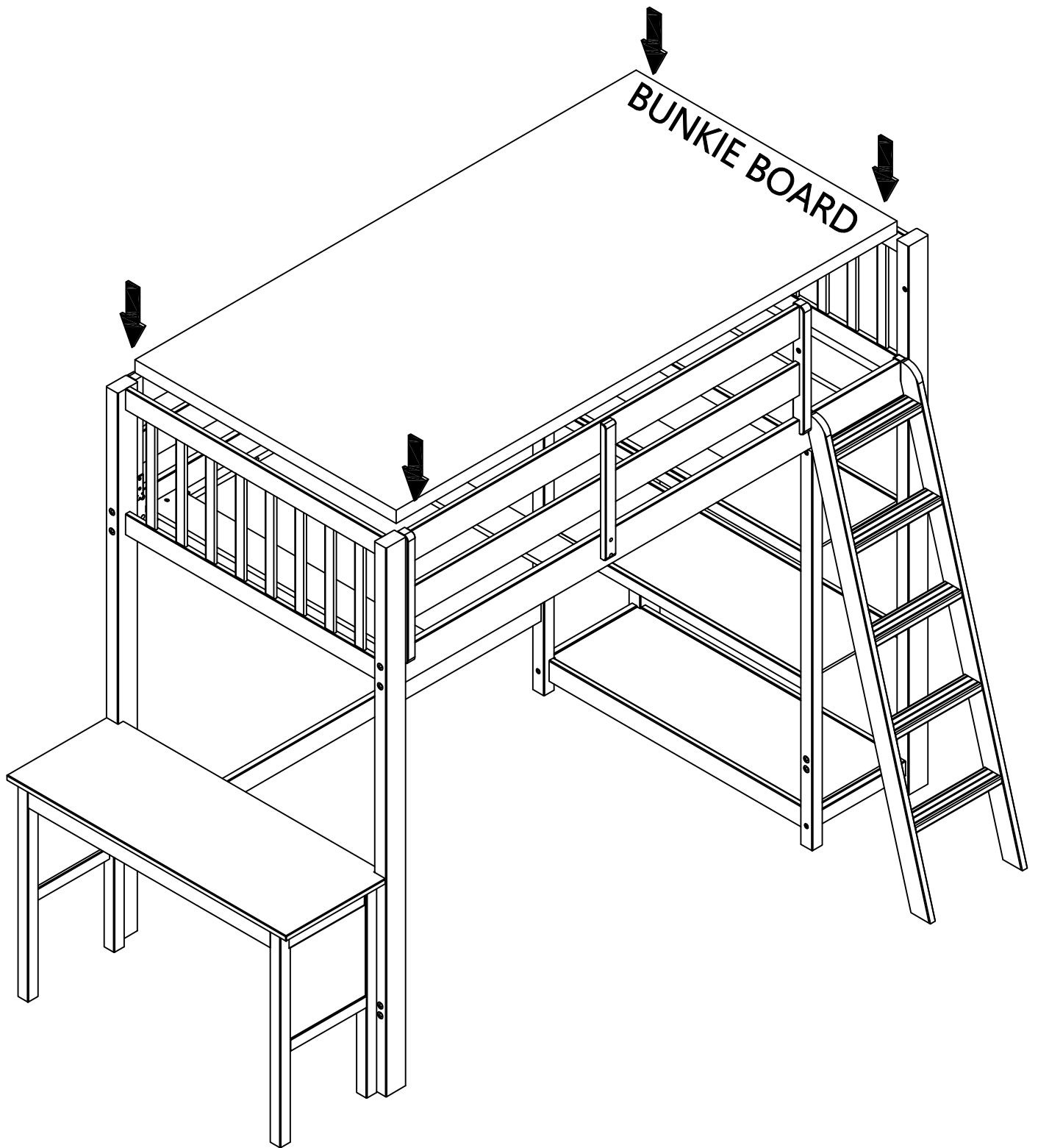
RIGHT



RIGHT

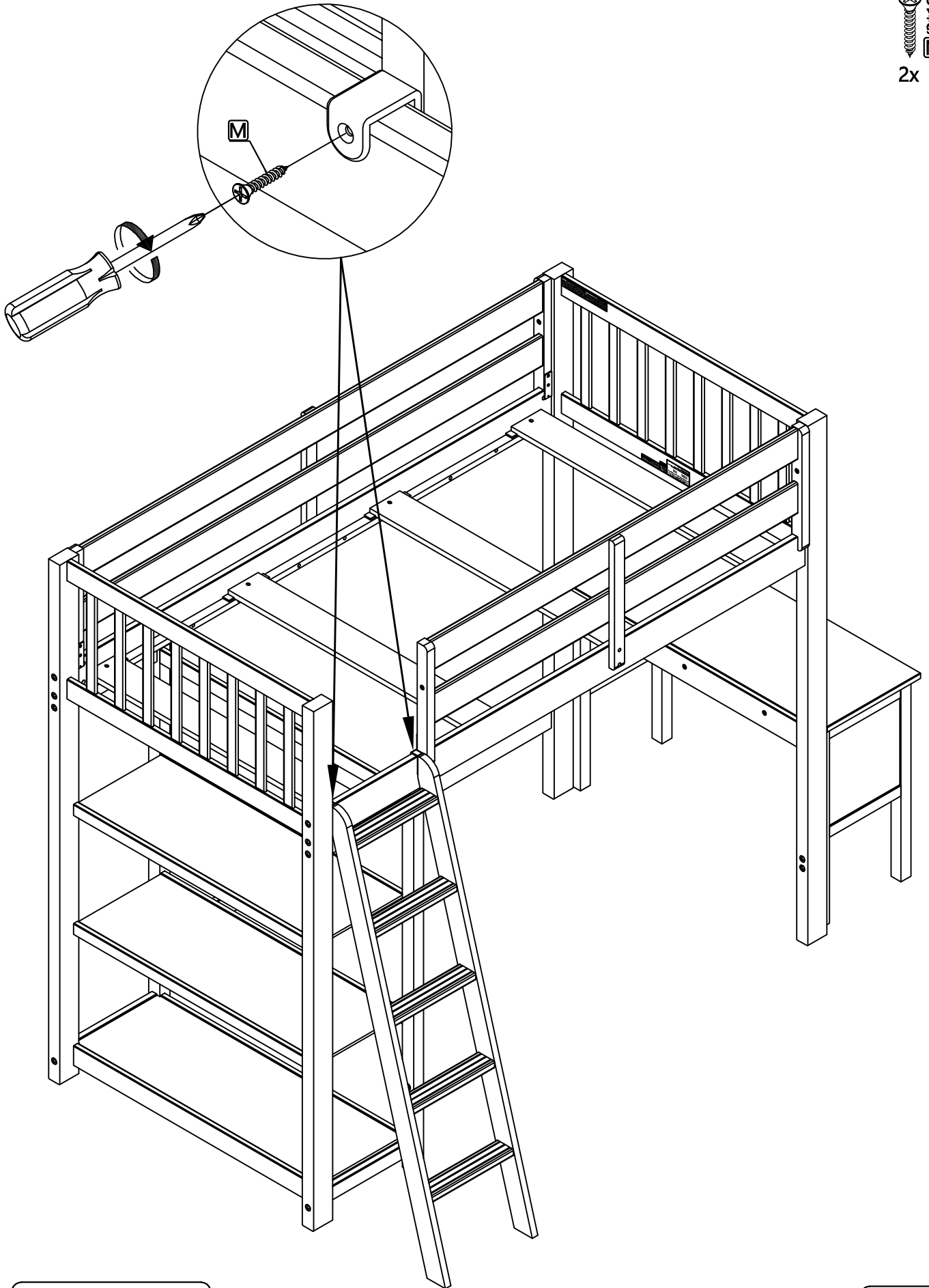


RIGHT

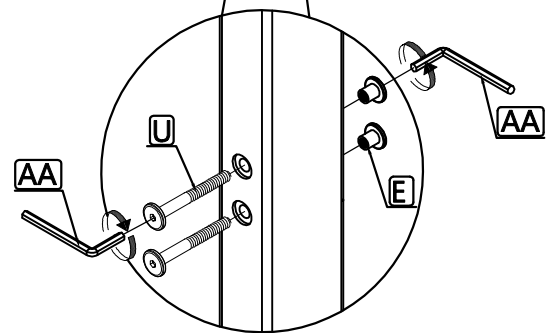
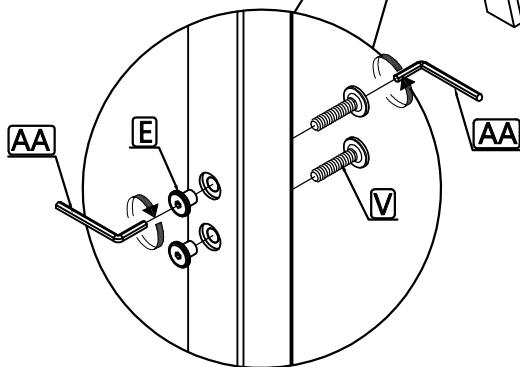
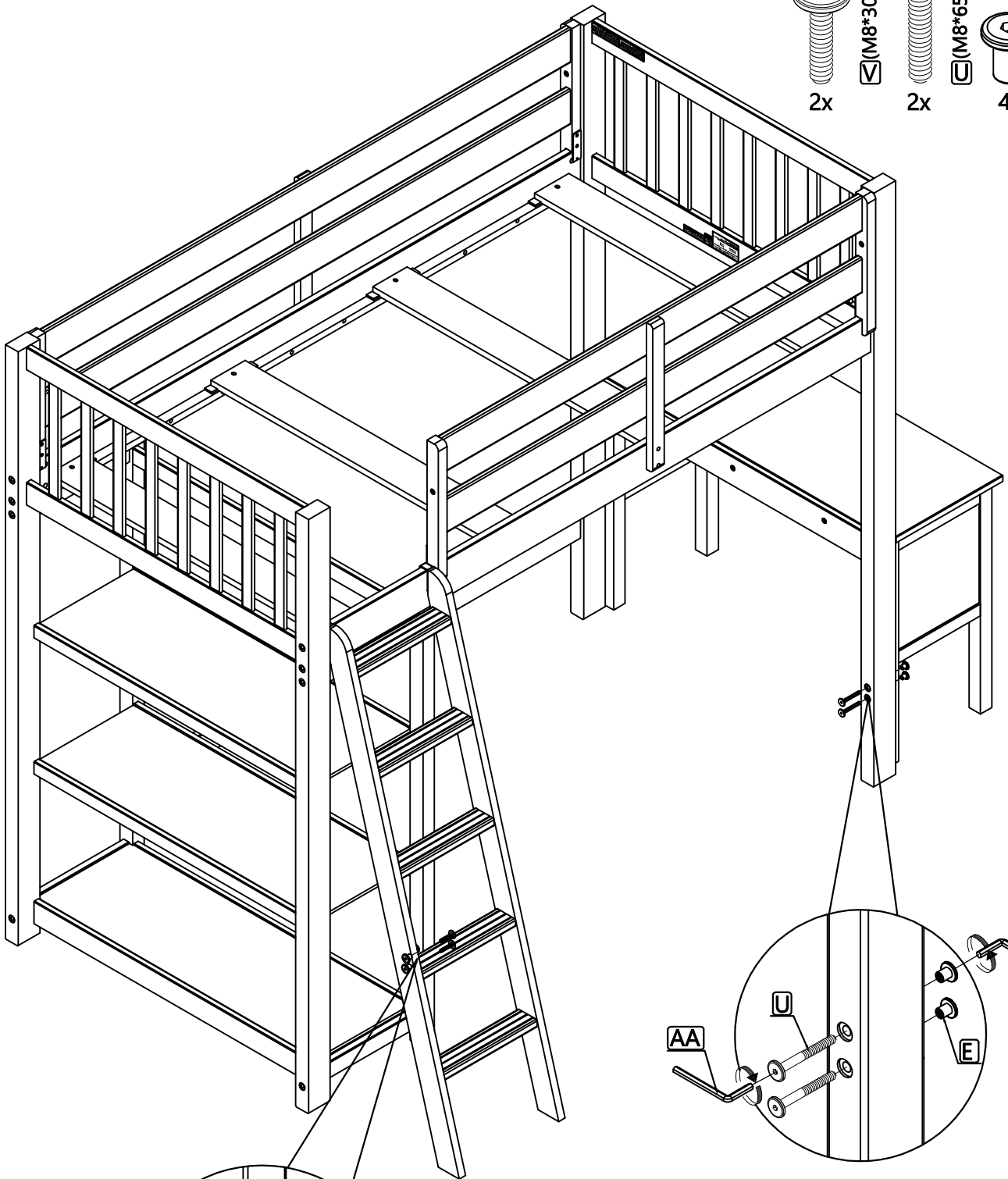
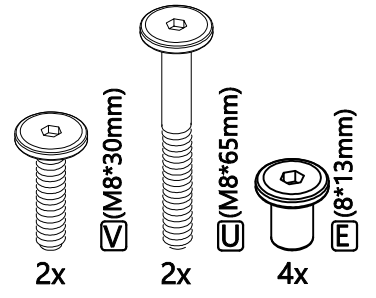


LEFT

2x
M (3*19mm)



LEFT



LEFT

