

# INSTRUCTION MANUAL

---



**Model No:**

DA7319-1BLS (BLUE)

DA7319-1WS (WHITE)

## Miles 6-Drawer Dresser

**UPC CODE:**

0-65857-17220-1 (BLUE)

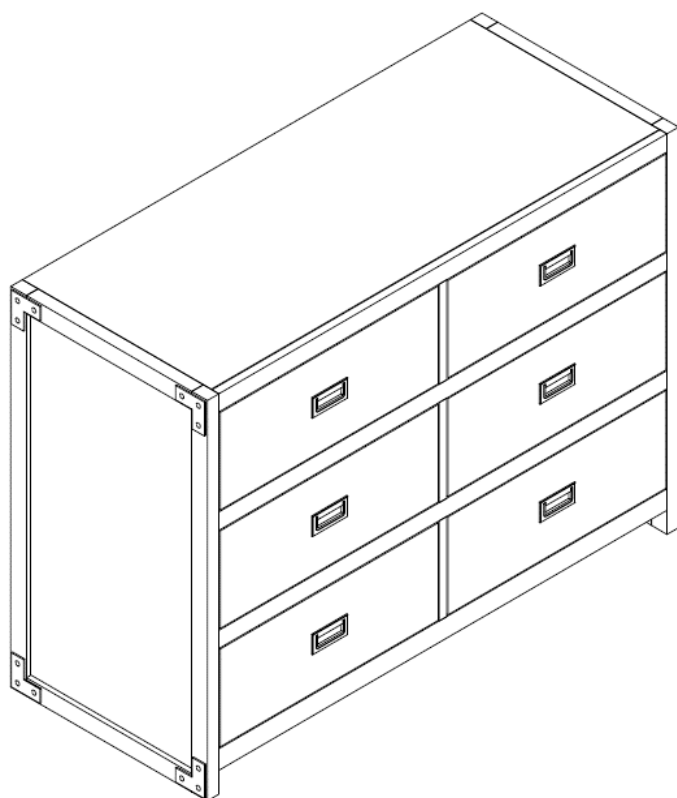
0-65857-17224-9 (WHITE)

**NOTE:**

THIS INSTRUCTION BOOKLET  
CONTAINS **IMPORTANT** SAFETY  
INFORMATION. PLEASE READ AND  
KEEP FOR FUTURE REFERENCE.

**Lot number:**

(TAKEN FROM CARTON)



**Date of purchase:**

\_\_\_\_ / \_\_\_\_ / \_\_\_\_

**DO NOT RETURN PRODUCT TO THE STORE.**

If a part is missing or damaged, contact our  
customer service department. We will replace the  
part **FREE** of charge.

Tel #: 1-800-295-1980

E-Mail: [das@dorel.com](mailto:das@dorel.com)

Fax #: 514-353-7819



## CUSTOMER SERVICE

If you are missing parts or have any questions about this product, contact our customer service representative first!

 **CALL 1-800-295-1980**

You can also order parts by writing to the address listed below. Please include the product model number, color and a detailed description of the part.

**Customer Service Department No. 413  
12345 Albert-Hudon Boulevard, Suite 100**

**Montreal, Quebec  
Canada H1G 3L1**

**E-MAIL: [das@dorel.com](mailto:das@dorel.com)**

## NOTES

- \* Ensure all parts and components are present before beginning assembly.
- \* Assemble on a soft, smooth surface to prevent damage to the product finish.
- \* Use the wall safety strap provided to secure the unit to the wall.
- \* A Phillips head screw driver is not included.
- \* **DO NOT** use power tools.
- \* **CAUTION:** Adult assembly required.
- \* Assembly will require two people.
- \* To avoid unnecessary damage, when levelers have been extended, **DO NOT** drag across surface when moving. Be sure to lift and carry the item to its location.
- \* Estimated assembly time: 60 minutes.

## **WARNING**

Serious or fatal crushing injuries can occur from furniture tipover. To help prevent tipover:

- \* Install tipover restraint provided.
- \* Place heaviest items in the lower drawers.
- \* Unless specifically designed to accommodate, do not set TVs or other heavy objects on top of this product.
- \* Never allow children to climb or hang on drawers, doors or shelves.
- \* Never open more than one drawer at a time.
- \* Do not defeat or remove the drawer interlock system.
- \* Use of tipover restraints may only reduce, but not eliminate, the risk of tipover.

## CARE AND CLEANING

Dust regularly with a soft, lint-free cloth to prevent soil build-up. A damp cloth may be used occasionally to clean surface. Dry immediately. Do not use any abrasives that may damage finish. Excessive exposure to sunlight and extreme changes in temperature and moisture can damage wood furniture.

## MAINTENANCE

Check bolts/screws periodically and tighten them if necessary.

## LIMITED WARRANTY

Dorel warrants its product to be free from defects in material and workmanship and agrees to remedy any such defect. This warranty covers 1 year from the date of original purchase. This warranty is valid only upon presentation of proof of purchase. This is solely limited to the repair or replacement of defective furniture components and no assembly labor is included. This warranty does not apply to any product which has been improperly assembled, subjected to misuse or abuse or which has been altered or repaired in any way. This warranty gives you specific legal rights and you may also have other rights which vary from State to State.

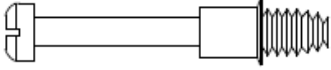
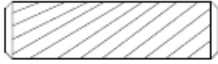

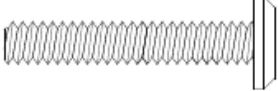

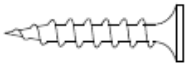
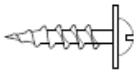
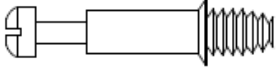
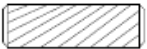


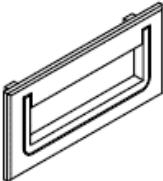
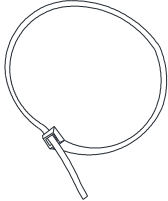


**WARNING: Should this product become damaged, and/or components are broken or missing, DO NOT USE.**

# Miles 6-Drawer Dresser

## DA7319-1BLS / DA7319-1WS

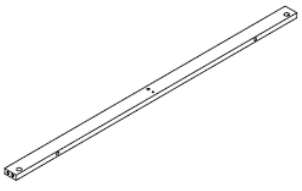
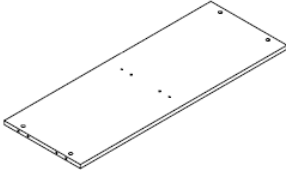

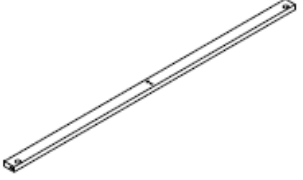
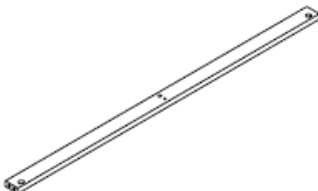
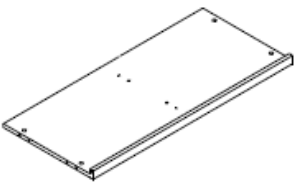
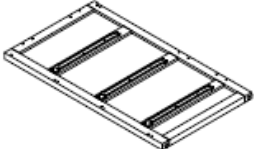
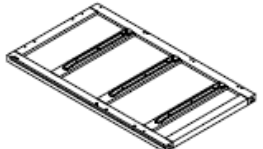
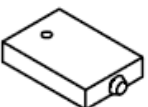
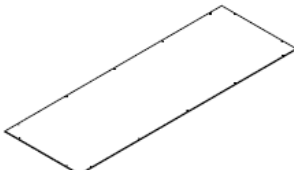
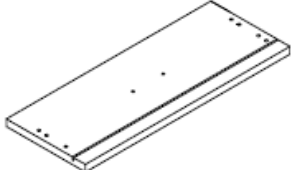

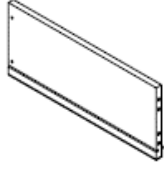
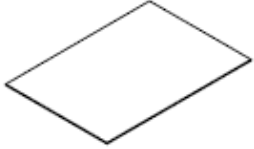
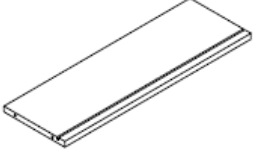
### HARDWARE LIST

|   |  |   |
|---|--|---|
| <p>1</p>                                   | <p>2</p>  <p>Ø8 X 30mm</p>        | <p>3</p>                     |
| <p>LARGE CAM BOLT<br/>26 PCS</p>  | <p>LARGE WOOD DOWEL<br/>26 PCS</p>   | <p>LARGE CAM LOCK<br/>26 PCS</p>  |
| <p>4</p>  <p>1/4" x 35mm</p>               | <p>5</p>                         | <p>6</p>  <p>Ø4 X 25mm</p>   |
| <p>BOLT<br/>1 PC</p>  | <p>ALLEN KEY<br/>1 PC</p>  | <p>SCREW<br/>26 PCS</p>   |
| <p>7</p>  <p>Ø3 X 15mm</p>               | <p>8</p>                        | <p>9</p>  <p>Ø6 X 20mm</p> |
| <p>SCREW<br/>14 PCS</p>   | <p>SMALL CAM BOLT<br/>24 PCS</p>   | <p>SMALL WOOD DOWEL<br/>24 PCS</p>  |
| <p>10</p>                                | <p>11</p>  <p>Ø5/32" x 15mm</p> | <p>12</p>                  |
| <p>SMALL CAM LOCK<br/>24 PCS</p>  | <p>BOLT<br/>12 PCS</p>   | <p>HANDLE<br/>6 PCS</p>   |
| <p>13</p>  <p>SAFETY STRAP<br/>1 KIT</p> |  |   |

# Miles 6-Drawer Dresser

## DA7319-1BLS / DA7319-1WS

### PARTS LIST

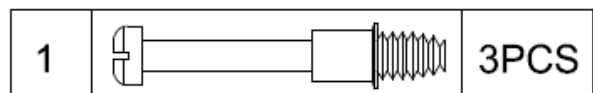
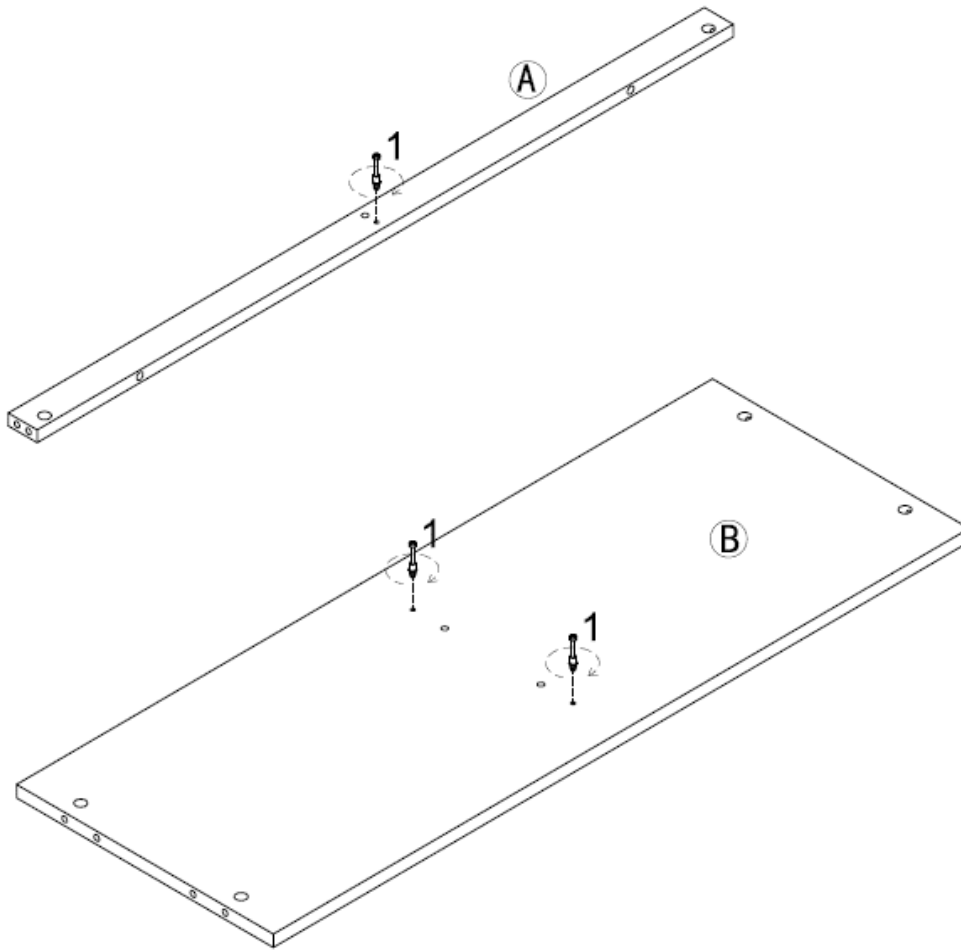
|   |   |  |   |
|---|---|--|---|
| <p><b>A</b></p>     | <p><b>B</b></p>    | <p><b>C</b></p>    | <p><b>D</b></p>    |
| <p>BACK TOP RAIL<br/>1 PC</p>   | <p>BACK BOTTOM PANEL<br/>1 PC</p>   | <p>MIDDLE PANEL<br/>1 PC</p>   | <p>FRONT MIDDLE RAIL<br/>2 PCS</p>  |
| <p><b>E</b></p>     | <p><b>F</b></p>    | <p><b>G</b></p>    | <p><b>H</b></p>    |
| <p>FRONT BOTTOM RAIL<br/>1 PC</p>   | <p>TOP PANEL<br/>1 PC</p>   | <p>LEFT SIDE PANEL<br/>1 PC</p>  | <p>RIGHT SIDE PANEL<br/>1 PC</p>  |
| <p><b>I</b></p>  | <p><b>J</b></p>  | <p><b>K</b></p>  | <p><b>L</b></p>  |
| <p>SUPPORT LEG<br/>1 PC</p>   | <p>BACK TOP PANEL<br/>1 PC</p>  | <p>DRAWER FRONT<br/>6 PCS</p>  | <p>DRAWER LEFT SIDE<br/>6 PCS</p>   |
| <p><b>M</b></p>  | <p><b>N</b></p>  | <p><b>O</b></p>  |   |
| <p>DRAWER RIGHT SIDE<br/>6 PCS</p>  | <p>DRAWER BOTTOM<br/>6 PCS</p>  | <p>DRAWER BACK<br/>6 PCS</p>   |   |

# Miles 6-Drawer Dresser

## DA7319-1BLS / DA7319-1WS

### STEP 1

Insert large cam bolts (1) into the back top rail (A) and back bottom panel (B) as shown.

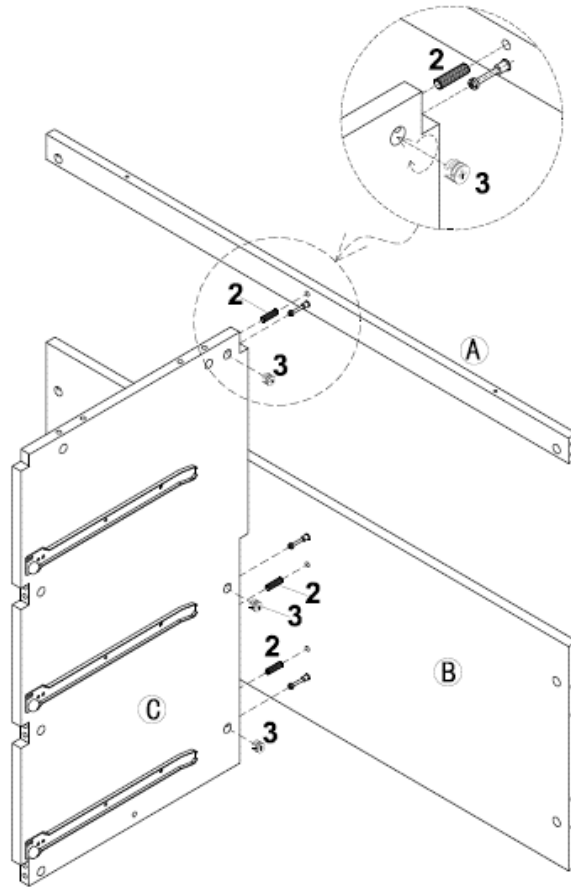




# Miles 6-Drawer Dresser

## DA7319-1BLS / DA7319-1WS

### STEP 2

Insert large cam locks (3) and large wood dowels (2) into the middle panel (C). Attach back top rail (A) and back bottom panel (B) to the middle panel (C) and secure by rotating the large cam lock (3) 1/2 turn clockwise using a Phillips head screwdriver (not included).



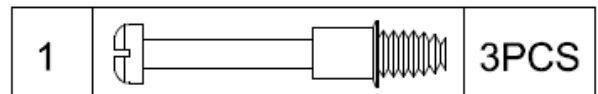
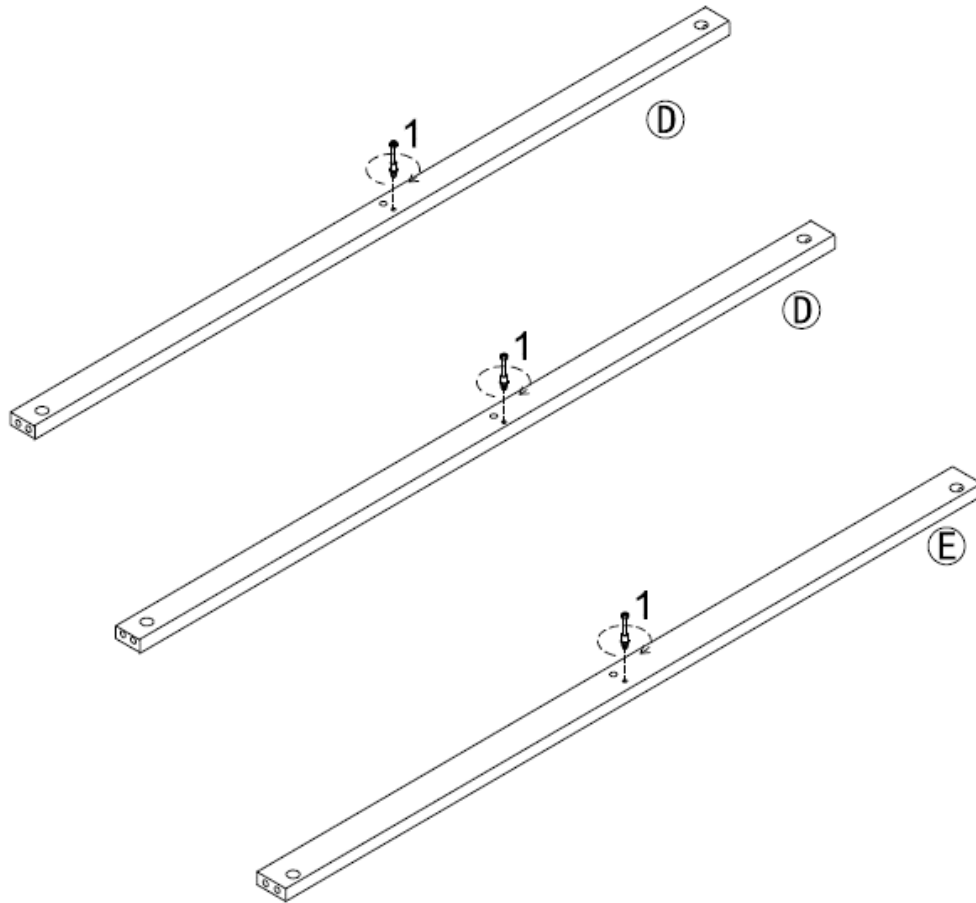
|   |   |      |
|---|---|------|
| 2 |  | 3PCS |
| 3 |  | 3PCS |

# Miles 6-Drawer Dresser

## DA7319-1BLS / DA7319-1WS

### STEP 3

Insert large cam bolts (1) into the front middle rails (D) and front bottom rail (E) as shown.

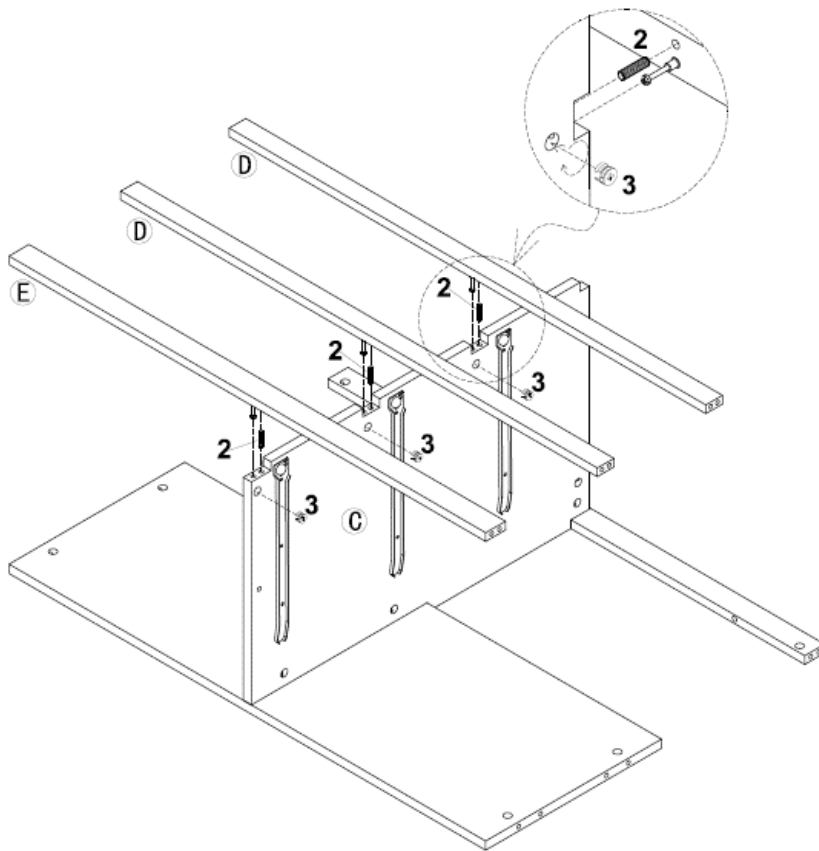



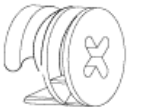
# Miles 6-Drawer Dresser

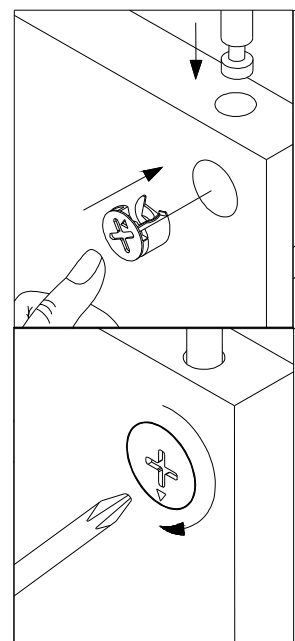
## DA7319-1BLS / DA7319-1WS

### STEP 4

Insert large cam locks (3) and large wood dowels (2) into the middle panel (C) as shown below. Attach front rails (D & E) to the middle panel (C) and secure by rotating the large cam locks (3) 1/2 turn clockwise using a Phillips head screwdriver (not included).



|   |   |      |
|---|---|------|
| 2 |  | 3PC  |
| 3 |  | 3PCS |



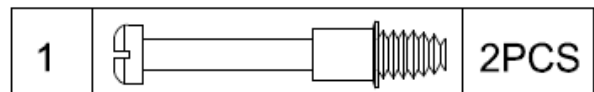
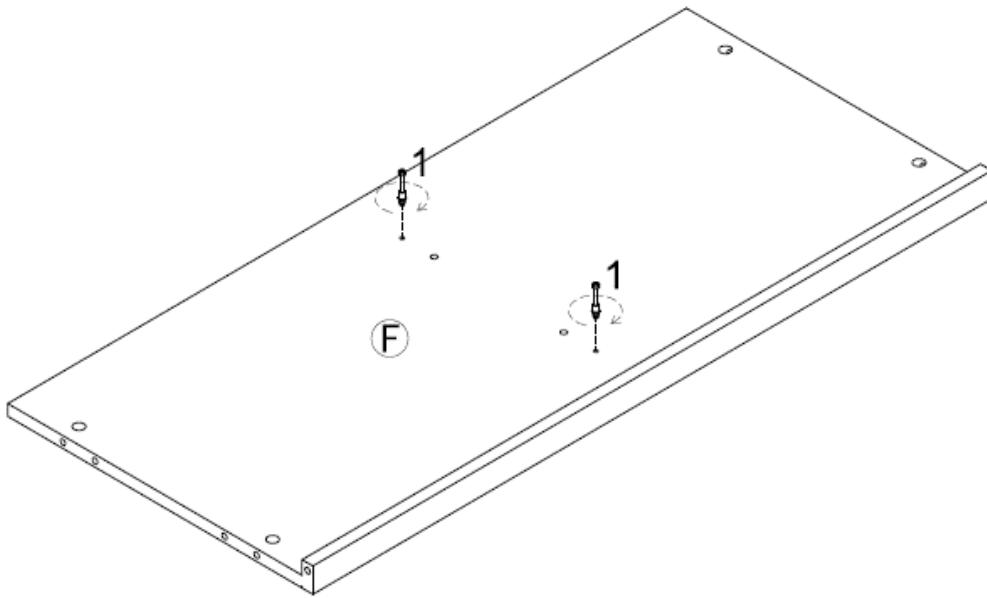


# Miles 6-Drawer Dresser

## DA7319-1BLS / DA7319-1WS

### STEP 5

Insert large cam bolts (1) into the top panel (F) as shown



# Miles 6-Drawer Dresser

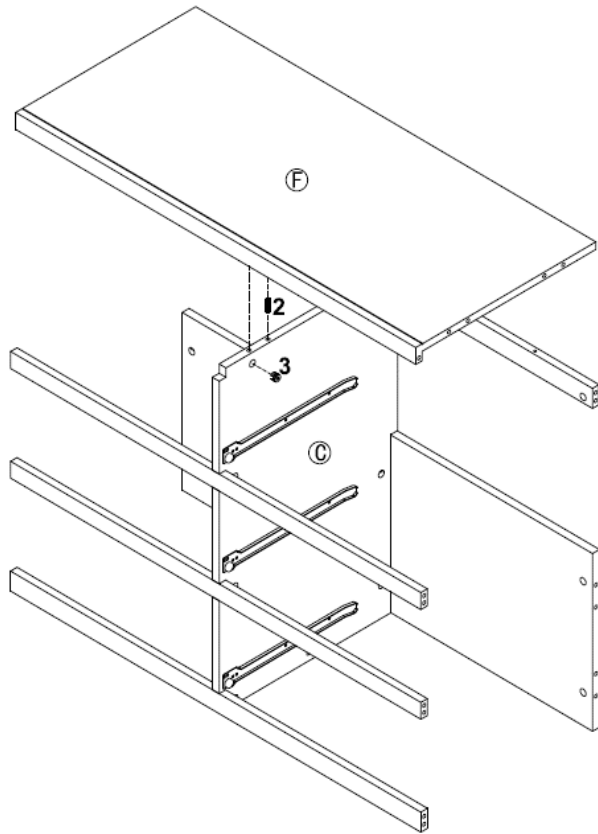
## DA7319-1BLS / DA7319-1WS

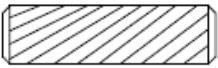

### STEP 6

Insert large cam locks (3) and wood dowels (2) into the middle panel (C).

Place the top panel (F) on the assembled unit.

Secure the top panel (F) by rotating large cam locks (3) 1/2-turn clockwise using a Phillips head screwdriver (not included).



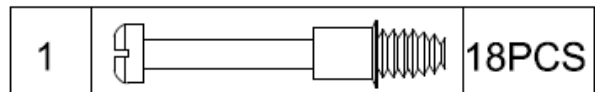
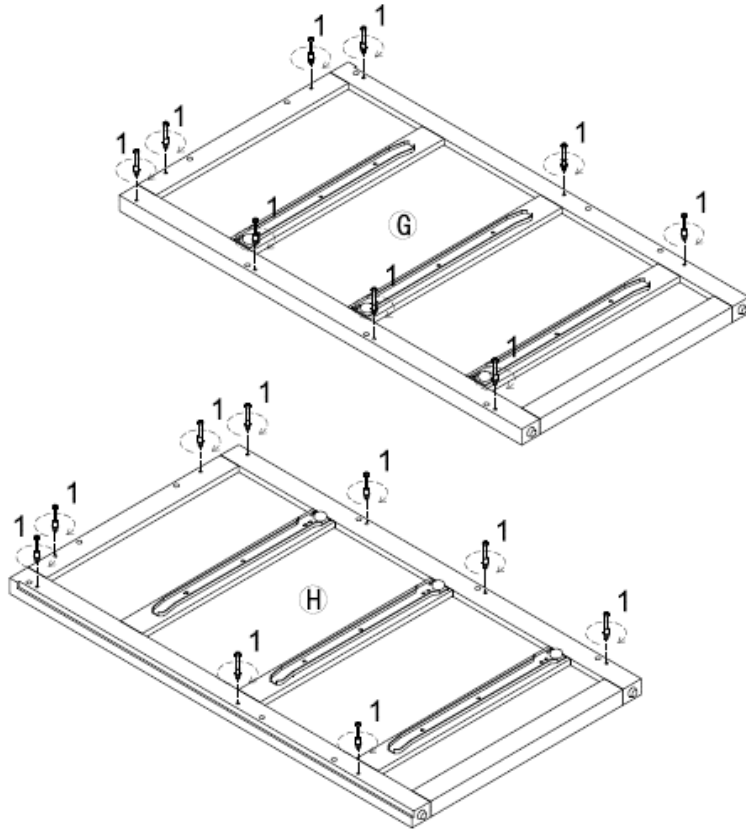
|   |   |      |
|---|---|------|
| 2 |  | 2PCS |
| 3 |  | 2PCS |

# Miles 6-Drawer Dresser

## DA7319-1BLS / DA7319-1WS

### STEP 7

Insert large cam bolts (1) into the right & left side panels (G & H) as shown.



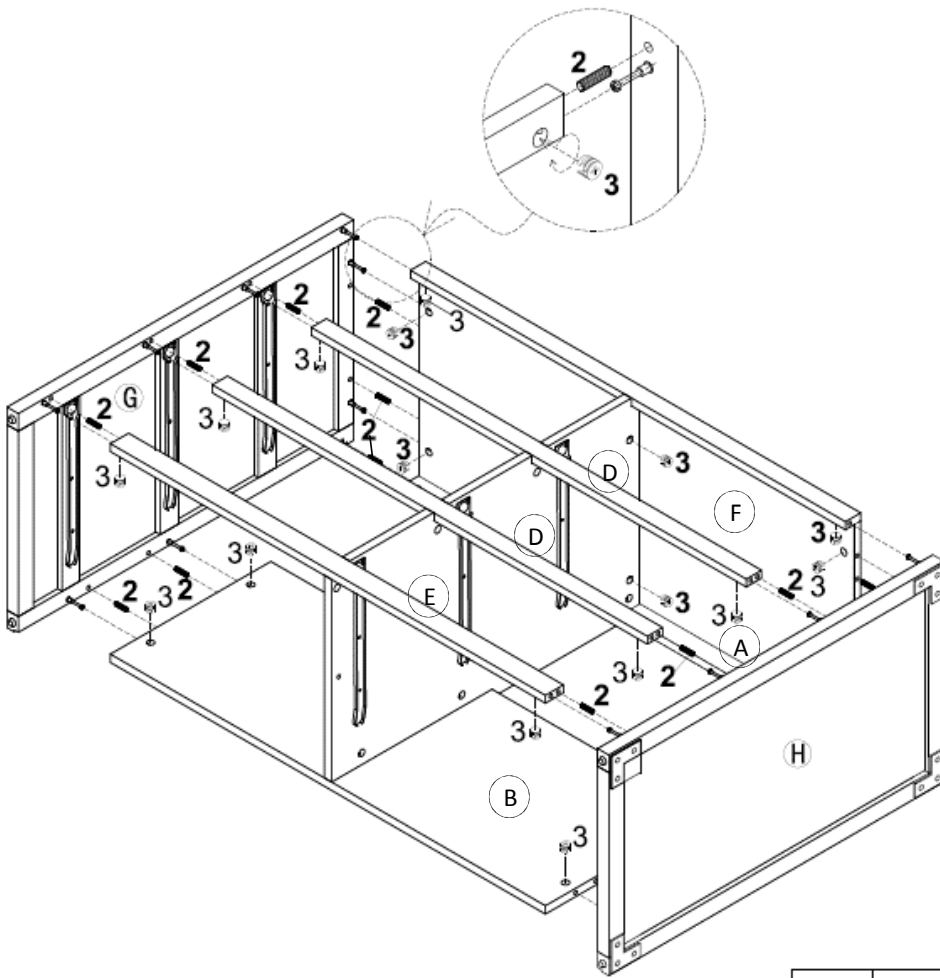
# Miles 6-Drawer Dresser



## DA7319-1BLS / DA7319-1WS

### STEP 8

Insert large wood dowels (2) and large cam locks (3) into the rails (A, D & E), top panel (F) and back bottom panel (B).

Attach side panels (G & H) to the assembled unit by rotating the large cam locks (3) 1/2 turn clockwise using a Phillips head screwdriver (not included).



|   |   |       |
|---|---|-------|
| 2 |  | 16PCS |
| 3 |  | 18PCS |

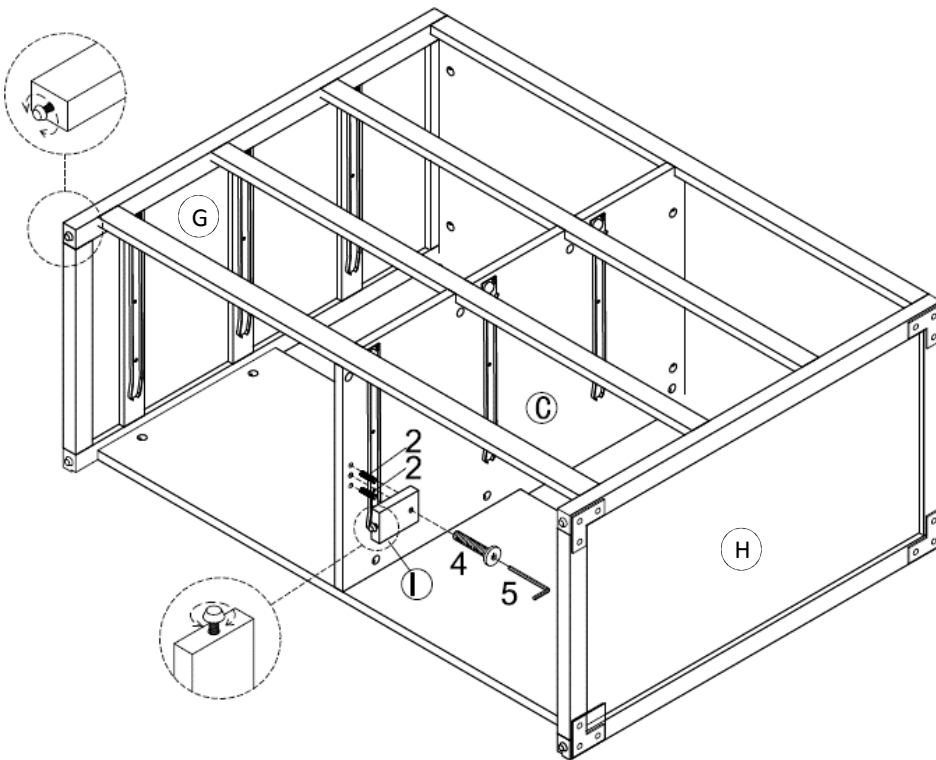
# Miles 6-Drawer Dresser

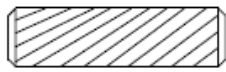
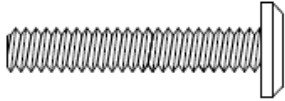
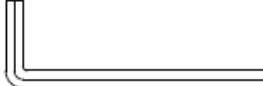
## DA7319-1BLS / DA7319-1WS

### STEP 9

Attach support leg (I) to the middle panel (C) with bolt (4) and large wood dowels (2) as shown. Use Allen key (5) to tighten the bolts.

NOTE- The support leg (I) and side frames (H & G) are equipped with adjustable levelers. Once assembly is complete and the unit is in the desired location, rotate the adjustable levelers clockwise or counterclockwise until it rests evenly on the floor.



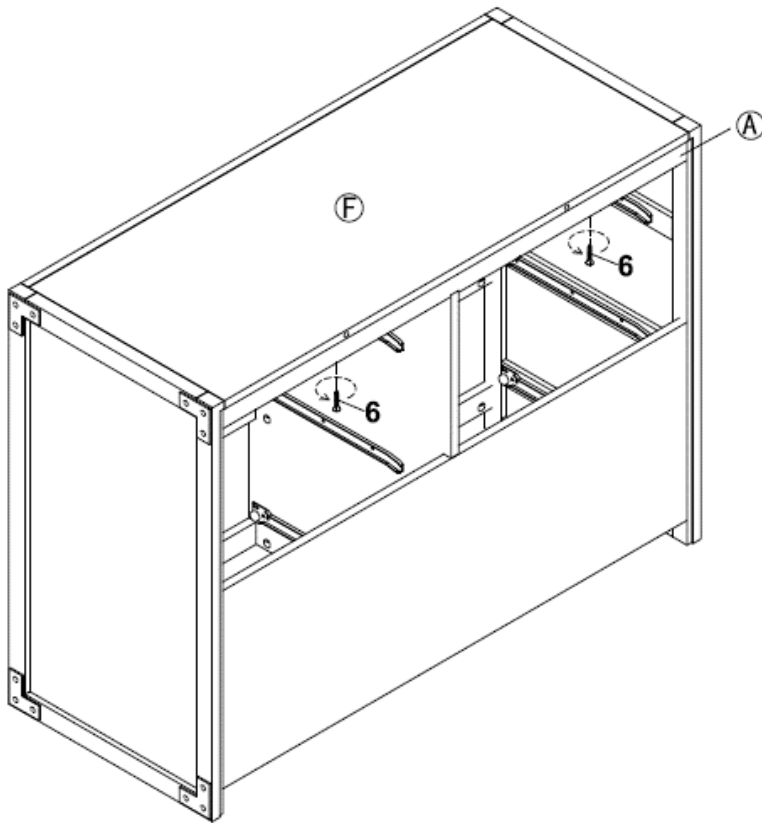
|   |   |      |
|---|---|------|
| 2 |  | 2PCS |
| 4 |  | 1PC  |
| 5 |  |      |

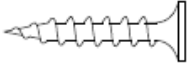
# Miles 6-Drawer Dresser

## DA7319-1BLS / DA7319-1WS

### STEP 10

Secure top panel (F) to the back top rail (A) with screws (6) as shown.  
Use a Phillips head screwdriver (not included) to tighten the screws.



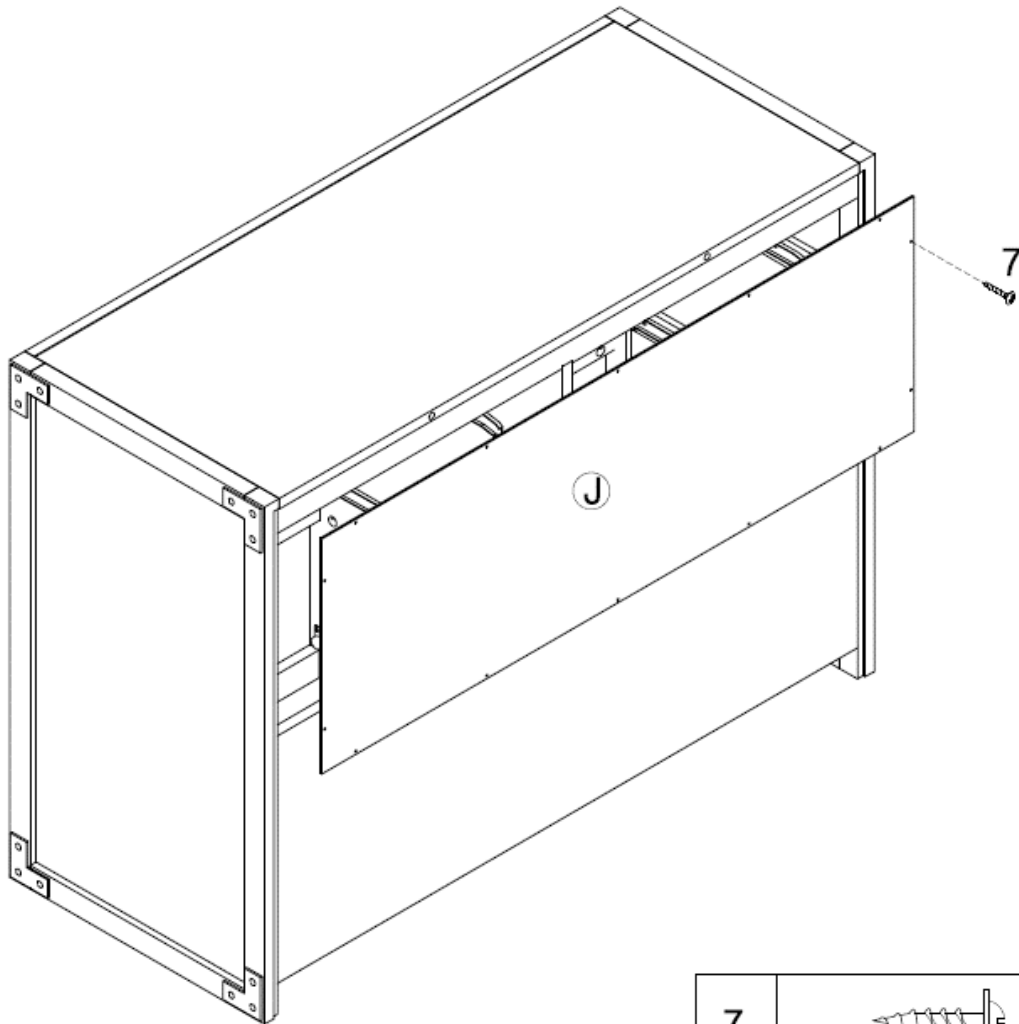
|   |   |      |
|---|---|------|
| 6 |  | 2PCS |
|---|---|------|

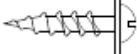
# Miles 6-Drawer Dresser

## DA7319-1BLS / DA7319-1WS

### STEP 11

Attach back top panel (J) to the assembled frame with round head screws (7).  
Use a Phillips head screwdriver (not included) to tighten screws.



|   |   |       |
|---|---|-------|
| 7 |  | 14PCS |
|---|---|-------|

# Miles 6-Drawer Dresser

## DA7319-1BLS / DA7319-1WS

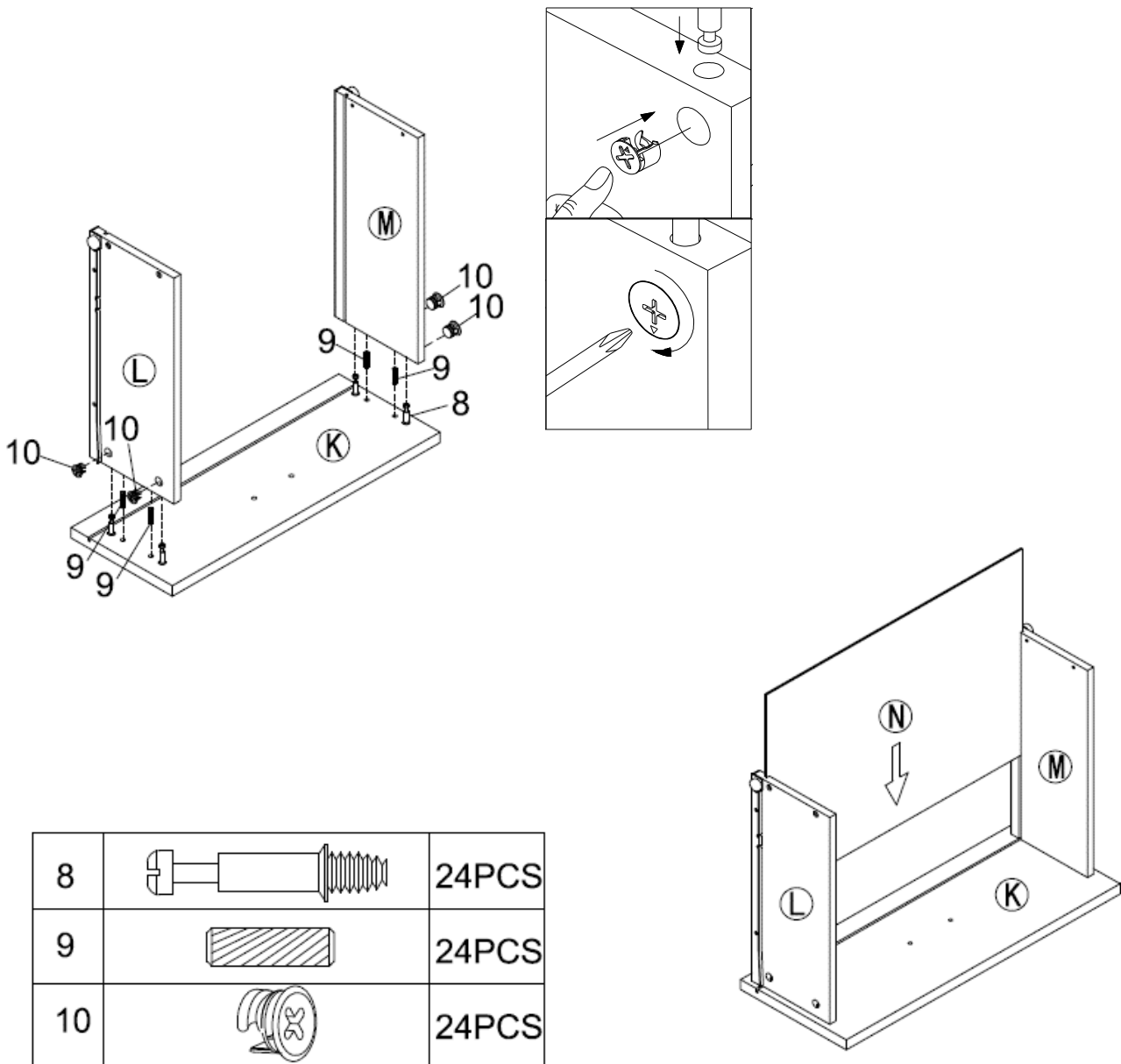
### STEP 12

Insert small cam bolts (8) and small wood dowels (9) into the drawer front (K).

Insert small cam locks (10) into the drawer left side (L) and drawer right side (M).

Attach drawer sides (L & M) to the drawer front (K). Secure the drawer sides by rotating small cam locks (10) 1/2-turn clockwise using a Phillips head screwdriver (not included).

Slide the drawer bottom (N) into the grooves of drawer sides (L & M) and drawer front (K).





# Miles 6-Drawer Dresser

## DA7319-1BLS / DA7319-1WS

### STEP 13

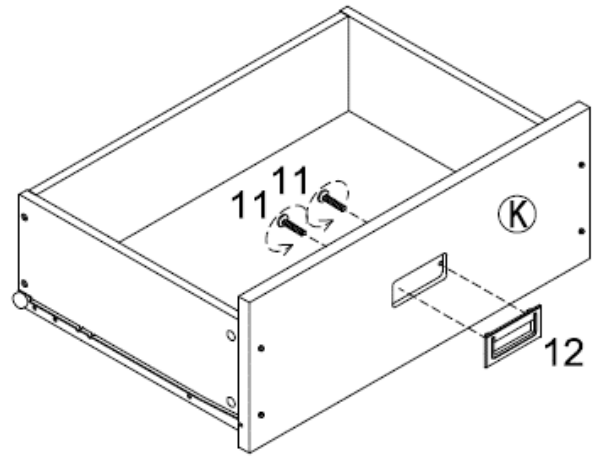
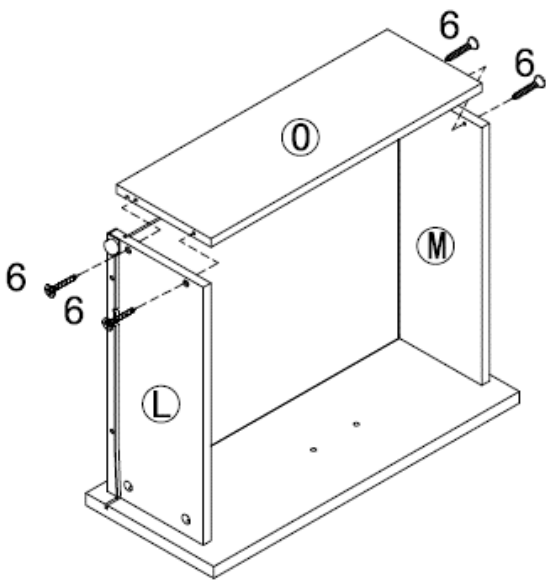
Attach drawer back (O) to the drawer sides (L & M) with screws (6).

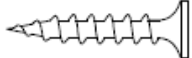

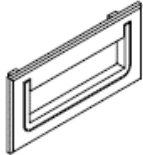
Use a Phillips head screwdriver (not included) to tighten the screws.

Attach handle (12) to drawer front (K) with bolts (11).

Use a Phillips head screwdriver (not included) to tighten the bolt.

Repeat steps 12 and 13 to assemble the other drawers.



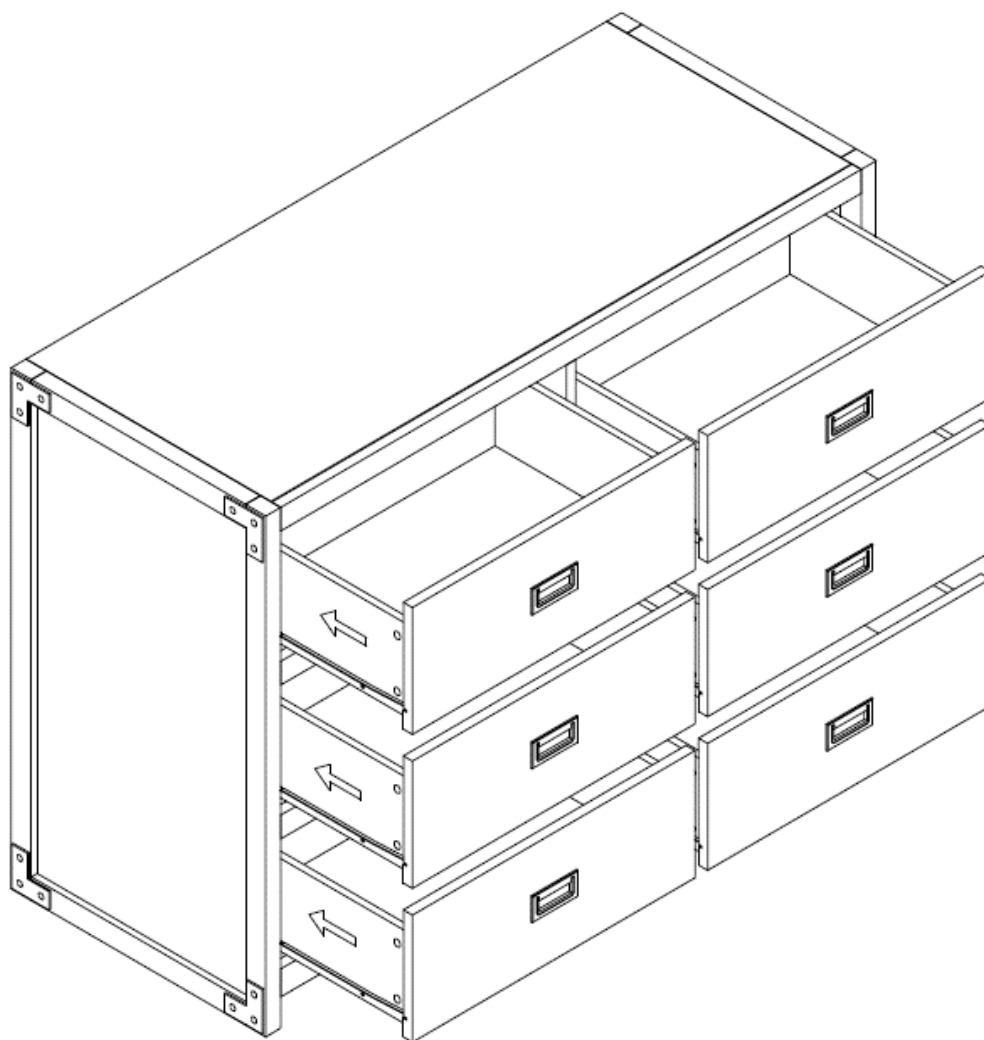
|    |   |       |
|----|---|-------|
| 6  |  | 24PCS |
| 11 |  | 12PCS |
| 12 |  | 6PCS  |

# Miles 6-Drawer Dresser

## DA7319-1BLS / DA7319-1WS


### STEP 14

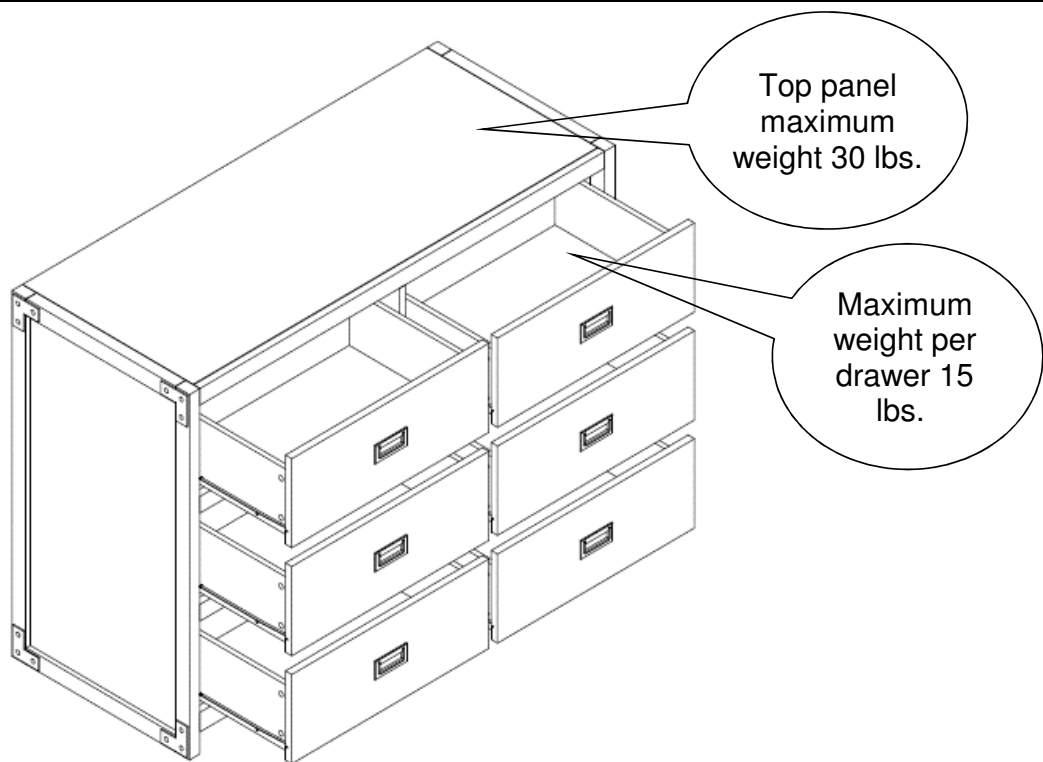
Insert all drawers into the assembled unit.



# Miles 6-Drawer Dresser

## DA7319-1BLS / DA7319-1WS

 **CAUTION:** This unit is intended for use only with the products and/or maximum weights indicated. Use with other products and/or products heavier than the maximum weights indicated may result in instability or cause possible injury.



That's it! You've finished assembling your Miles 6-Drawer Dresser!

**DO NOT RETURN PRODUCT TO THE STORE.**

If a part is missing or damaged, contact our customer service department. We will replace the part **FREE** of charge.



Tel #: 1-800-295-1980  
E-Mail: [das@dorel.com](mailto:das@dorel.com)  
Fax #: 514-353-7819

# Customer Service

**PLEASE DO NOT RETURN THIS PRODUCT TO THE STORE**

**PLEASE CONTACT CUSTOMER SERVICE REPRESENTATIVES AT THE FOLLOWING NUMBERS SHOULD THERE BE ANY MISSING OR DEFECTIVE PART(S).**

|  |   |
|--|---|
| Customer Service Phone Number 1-800-295-1980 | Email: <a href="mailto:das@dorel.com">das@dorel.com</a> |
| Customer Service Fax Number 514-353-7819     |   |

Request Date:

Name:

Shipping Address:

Street & Number:

City & State:

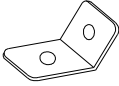



Zip Code:

Day Time Phone Number:   
(including area code)

Date & Place of Purchase:

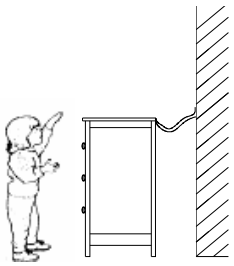
Part(s) description and quantity (Please be sure to list model number or SKN number):

# Furniture Wall Safety Strap

|   |   |  |   |
|---|---|--|---|
| <p><b>A</b></p>  | <p><b>B</b></p>  | <p><b>C</b></p>  | <p><b>D</b></p>  |
| <p>MOUNTING BRACKET<br/>4 PCS</p>   | <p>SAFETY WALL STRAP<br/>2 PCS</p>  | <p>LONG SCREW<br/>2 PCS</p>  | <p>SHORT SCREW<br/>2 PCS</p>  |

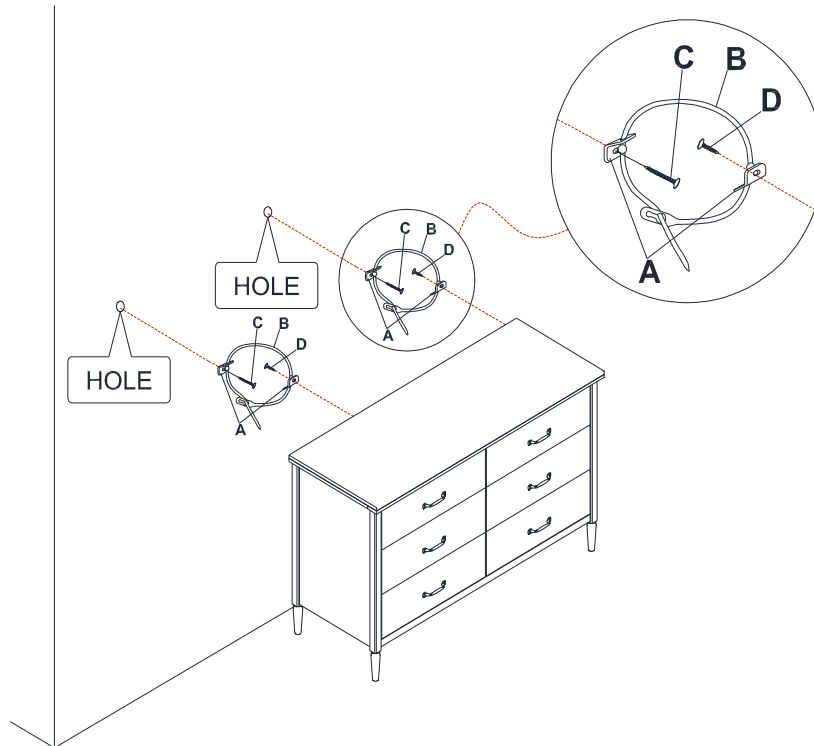
**TOOLS NECESSARY: RUBBER Mallet AND PHILLIPS SCREW DRIVER ARE NOT INCLUDED.**

**NOTE: 3/8" DRILL BIT AND ELECTRIC DRILL ARE NOT PROVIDED.**



**WARNING: WHEN UPRIGHT, IT IS POSSIBLE THAT THE FURNITURE MAY TIP OVER. PLEASE INSTALL THE SAFETY WALL STRAP BEHIND THE FURNITURE TO ENSURE SAFETY.**

**PLEASE READ ALL INSTRUCTIONS CAREFULLY BEFORE USING THIS PRODUCT AND KEEP THESE INSTRUCTIONS FOR FUTURE REFERENCE. IF YOU HAVE ANY QUESTIONS, PLEASE CALL OUR CUSTOMER SERVICE NUMBER: 1-800-295-1980.**



- Step 1:** ATTACH A MOUNTING BRACKET (A) SECURELY TO THE BACK EDGE OF THE FURNITURE USING THE SHORT SCREW (D), THROUGH THE SMALLER HOLE.
- Step 2:** LOCATE THE OTHER MOUNTING BRACKET (A) ON THE WALL OVER A WALL STUD AND 2 INCHES BELOW THE MOUNTING BRACKET SECURED TO THE BACK OF YOUR UNIT. ATTACH TO THE WALL STUD USING THE LONG SCREW (C) PROVIDED, THROUGH THE SMALLER HOLE.
- Step 3:** PLACE THE FURNITURE INTO POSITION SO BOTH MOUNTING BRACKETS ARE VERTICALLY IN LINE. LACE THE END OF THE SAFETY WALL STRAP (B) THROUGH THE LARGER HOLE IN EACH MOUNTING BRACKET (A). BRING BOTH ENDS TOGETHER AND SLIDE THE FLAT END THROUGH THE LOCKING END AND DRAW IT THROUGH UNTIL ALL SLACK IS REMOVED.
- Step** CONFIRM THAT THE STRAP IS SECURELY LACED AND LOCKED.
- TO MOVE THE FURNITURE AFTER THE SAFETY WALL STRAP HAS BEEN INSTALLED, SIMPLY REMOVE THE SCREW FROM THE WALL TO LOOSEN THE SAFETY WALL STRAP.

# MANUAL DE INSTRUCCIONES

---



## Miles Cómoda de 6 Cajones



**Modelo No:**

DA7319-1BLS (Azul)

DA7319-1WS (Blanco)

**CODIGO UPC:**

0-65857-17220-1 (Azul)

0-65857-17224-9 (Blanco)

### **NOTA**

ESTE MANUAL DE INSTRUCCIONES  
CONTIENE INFORMACIÓN DE  
SEGURIDAD **IMPORTANTE.**  
POR FAVOR LÉALO Y CONSÉRVELO  
PARA REFERENCIA FUTURA.

**Numero de lote:**

(TOMADO DEL CARTON)

**Fecha de compra:**

\_\_\_\_ / \_\_\_\_ / \_\_\_\_

**NO DEVUELVA EL PRODUCTO A LA TIENDA.**

Si falta una pieza o está dañada, contacte nuestro  
departamento de servicio a la clientela.  
Reemplazaremos la pieza SIN cargo.

Tel #: 1-800-295-1980

Correo electrónico: [das@dorel.com](mailto:das@dorel.com)

Fax #: 514-353-7819



## SERVICIO A LA CLIENTELA

Si faltan piezas o tiene alguna pregunta sobre este producto, ¡primero contacte nuestro representante de servicio a la clientela!



**LLAME AL 1-800-295-1980**

También puede pedir piezas escribiendo a la dirección indicada abajo. Por favor incluya el número de modelo, color y una descripción detallada de la pieza.

**Departamento de Servicio a la Clientela No. 413**

**12345 Albert-Hudon Boulevard, Suite 100**

**Montreal, Quebec**

**Canadá H1G 3L1**

**Correo electrónico: [das@dorel.com](mailto:das@dorel.com)**

## NOTA

- \* Para evitar que se raye, por favor retire todo el embalaje y ármelo sobre una superficie limpia y suave.
- \* Ensamble sobre una superficie suave, lisa para evitar daños en el acabado del producto.
- \* Utilice la correa de seguridad provista para fijar el mueble a la pared.
- \* El destornillador en cruz no está incluido.
- \* **No use** herramientas eléctricas.
- \* **PRECAUCIÓN:** Requiere ser armado por un adulto.
- \* El armado y la manipulación pueden requerir dos personas.
- \* Para evitar dañar la superficie, una vez instalados los niveladores, NO arrastrar el mueble para desplazarlo. Asegúrese de levantarlo.
- \* El tiempo de armado se estima en 60 minutos.

## **ADVERTENCIA:**

**Pueden producirse lesiones graves o fatales si el mueble se vuelca. Para prevenirlo:**

- \* Instalar la sujeción provista.
- \* Colocar los artículos más pesados en los cajones más bajos.
- \* No colocar aparatos de TV u otros objetos pesados sobre este producto, a menos que esté específicamente diseñado para ese uso.
- \* Nunca permitir que los niños trepen sobre los cajones, puertas o estantes o se cuelguen de ellos.
- \* Nunca abrir más de un cajón a la vez.
- \* No eliminar o retirar el dispositivo que asegura los cajones.
- \* El uso de la sujeción provista reduce el riesgo de que el mueble se vuelque, pero no lo elimina totalmente.

## **CUIDADO Y LIMPIEZA**

Límpiala regularmente con un paño suave para evitar la acumulación de suciedad. Ocasionalmente se puede usar un paño húmedo para limpiar la superficie. Séquela inmediatamente. No utilice productos abrasivos que puedan dañar la terminación. Una exposición excesiva a la luz del sol y a cambios extremos de temperatura y humedad puede dañar los muebles de madera.

## **MANTENIMIENTO**

Verifique las arandelas/tornillos periódicamente y ajústelos si es necesario.

## **GARANTÍA LIMITADA**

Dorel garantiza que este producto está libre de defectos de material y mano de obra y se compromete a remediar cualquiera de esos defectos. Esta garantía cubre 1 año a partir de la fecha de compra original. Esta garantía es válida únicamente si se presenta una prueba de compra. Esto se limita solamente a la reparación o reemplazo de componentes defectuosos de los muebles y no incluye el trabajo de armado. Esta garantía no se aplica a ningún producto que haya sido armado de manera inadecuada, sujeto a un mal uso o abuso o que haya sufrido cualquier tipo de alteración o reparación. Esta garantía le da las derechas legales específicas y usted puede también tener otras derechas que varíen de estado al estado.




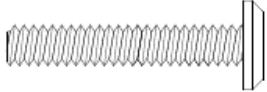

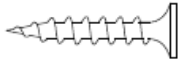
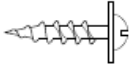
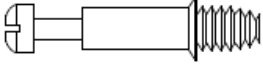
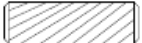


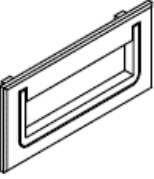
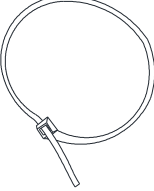


**ADVERTENCIA: Si este producto se ha dañado, y/o sus componentes están rotos o faltan, NO LO USE.**

# Miles Cómoda de 6 Cajones

## DA7319-1BLS / DA7319-1WS

### LISTA DE ACCESORIOS

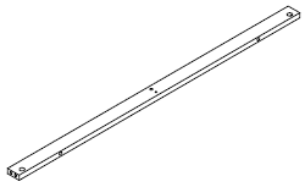
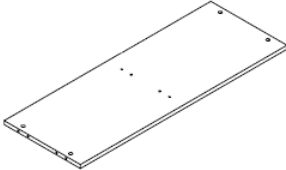

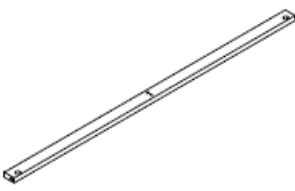
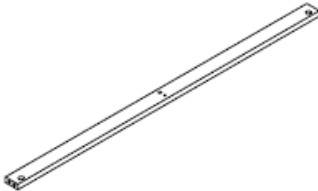
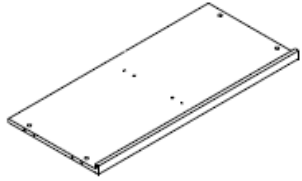
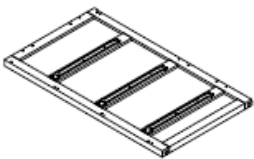
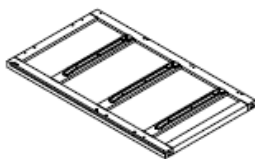
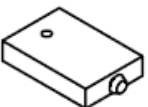
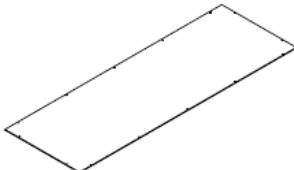
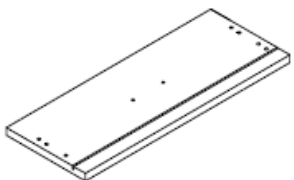

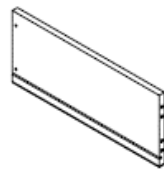
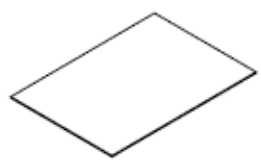
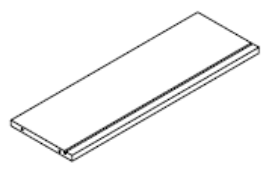
|  |  |   |
|--|--|---|
| <p>1</p>    | <p>2</p>  <p>Ø8 X 30mm</p>        | <p>3</p>                     |
| <p>PERNO DE LEVA<br/>GRANDE<br/>26 PZAS</p>  | <p>CLAVIJA DE MADERA<br/>GRANDE<br/>26 PZAS</p>  | <p>SEGURO DE LEVA<br/>GRANDE<br/>26 PZAS</p>  |
| <p>4</p>  <p>1/4" x 35mm</p>                      | <p>5</p>                          | <p>6</p>  <p>Ø4 X 25mm</p>   |
| <p>PERNO<br/>1 PZA</p>   | <p>LLAVE ALLEN<br/>1 PZA</p>   | <p>TORNILLO<br/>26 PZAS</p>   |
| <p>7</p>  <p>Ø3 X 15mm</p>                      | <p>8</p>                        | <p>9</p>  <p>Ø6 X 20mm</p> |
| <p>TORNILLO<br/>14 PZAS</p>  | <p>PERNO DE LEVA<br/>PEQUEÑO<br/>24 PZAS</p>   | <p>CLAVIJA DE MADERA<br/>PEQUEÑA<br/>24 PZAS</p>  |
| <p>10</p>                                       | <p>11</p>  <p>Ø5/32" x 15mm</p> | <p>12</p>                  |
| <p>SEGURO DE LEVA<br/>PEQUEÑO<br/>24 PZAS</p>  | <p>PERNO<br/>12 PZAS</p>   | <p>MANIJA<br/>6 PZAS</p>  |
| <p>13</p>  <p>CORREA DE SEGURIDAD<br/>1 KIT</p> |  |   |



# Miles Cómoda de 6 Cajones

## DA7319-1BLS / DA7319-1WS

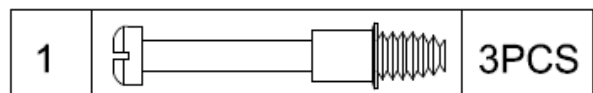
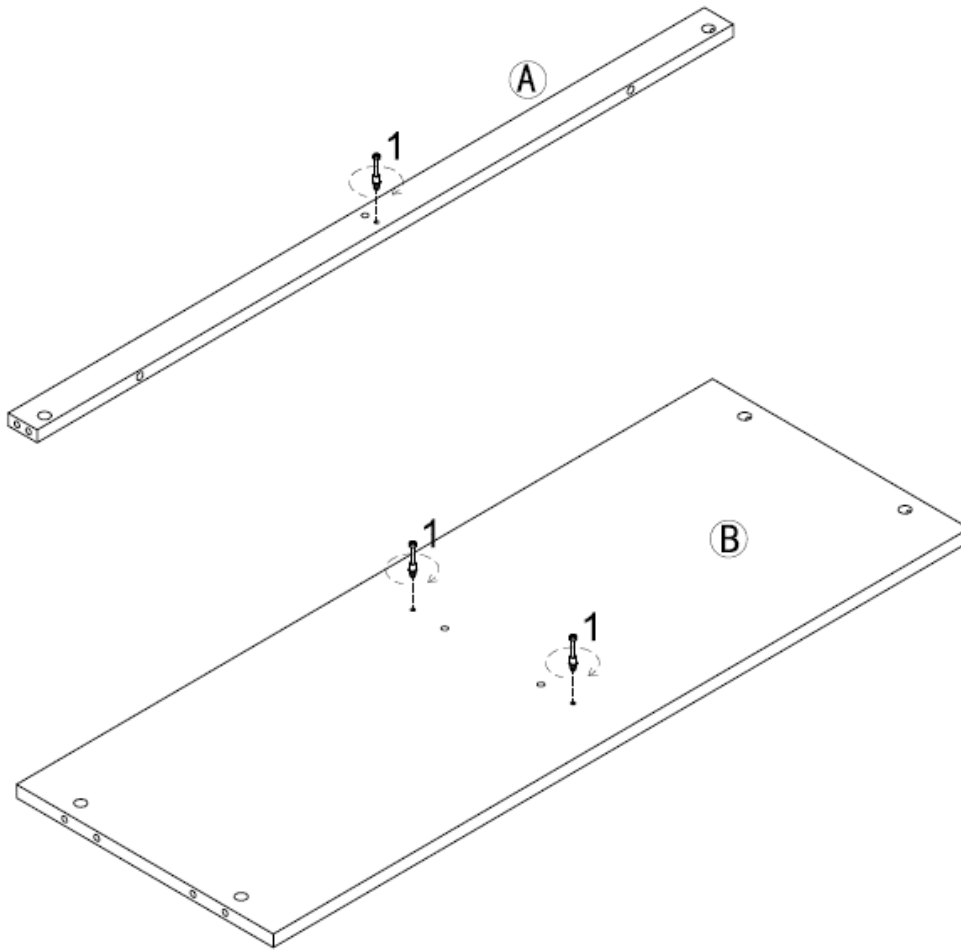
### LISTA DE PIEZAS

|   |   |  |   |
|---|---|--|---|
| <p><b>A</b></p>     | <p><b>B</b></p>    | <p><b>C</b></p>    | <p><b>D</b></p>    |
| <p>BARRA SUPERIOR POSTERIOR<br/>1 PZA</p>   | <p>PANEL POSTERIOR INFERIOR<br/>1 PZA</p>   | <p>PANEL CENTRAL<br/>1 PZA</p>   | <p>BARRA INFERIOR CENTRAL<br/>2 PZAS</p>  |
| <p><b>E</b></p>    | <p><b>F</b></p>   | <p><b>G</b></p>   | <p><b>H</b></p>   |
| <p>BARRA INFERIOR ANTERIOR<br/>1 PZA</p>  | <p>TAPA DE LA CÓMODA<br/>1 PZA</p>  | <p>PANEL LATERAL IZQUIERDO<br/>1 PZA</p>   | <p>PANEL LATERAL DERECHO<br/>1 PZA</p>  |
| <p><b>I</b></p>  | <p><b>J</b></p>  | <p><b>K</b></p>  | <p><b>L</b></p>  |
| <p>PATA DE SOPORTE<br/>1 PZA</p>  | <p>PANEL SUPERIOR POSTERIOR<br/>1 PZA</p>   | <p>FRENTE CAJÓN<br/>6 PZAS</p>   | <p>LADO IZQUIERDO CAJÓN<br/>6 PZAS</p>  |
| <p><b>M</b></p>  | <p><b>N</b></p>  | <p><b>O</b></p>  |   |
| <p>LADO DERECHO CAJÓN<br/>6 PZAS</p>  | <p>FONDO DE CAJÓN<br/>6 PZAS</p>  | <p>LADO POSTERIOR CAJÓN<br/>6 PZAS</p>   |   |

# Miles Cómoda de 6 Cajones DA7319-1BLS / DA7319-1WS

## ETAPA 1

Inserte un perno de leva grande (1) en el barra superior posterior (A) y panel posterior inferior (B) como ilustrado.

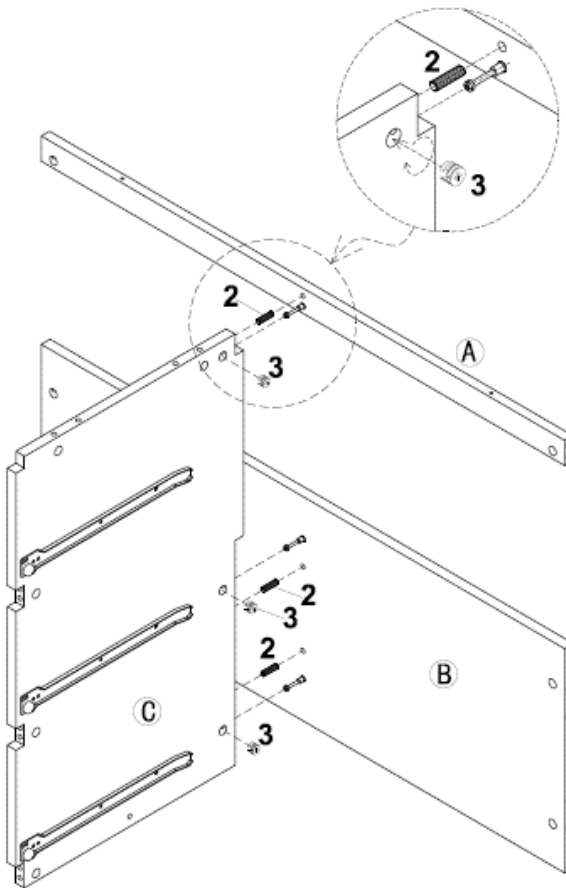




# Miles Cómoda de 6 Cajones

## DA7319-1BLS / DA7319-1WS

### ETAPA 2

Inserte clavijas de madera grandes (2) y seguros de leva grandes (3) en el panel central (C).  
Una la barra superior posterior (A) y panel posterior inferior (B) con el panel inferior central (C) y fije girando el seguro de leva grande (3) 1/2 vuelta en sentido horario con un destornillador Phillips (no incluido).

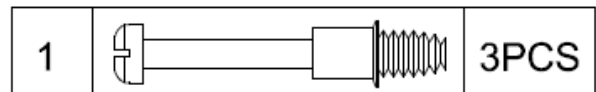
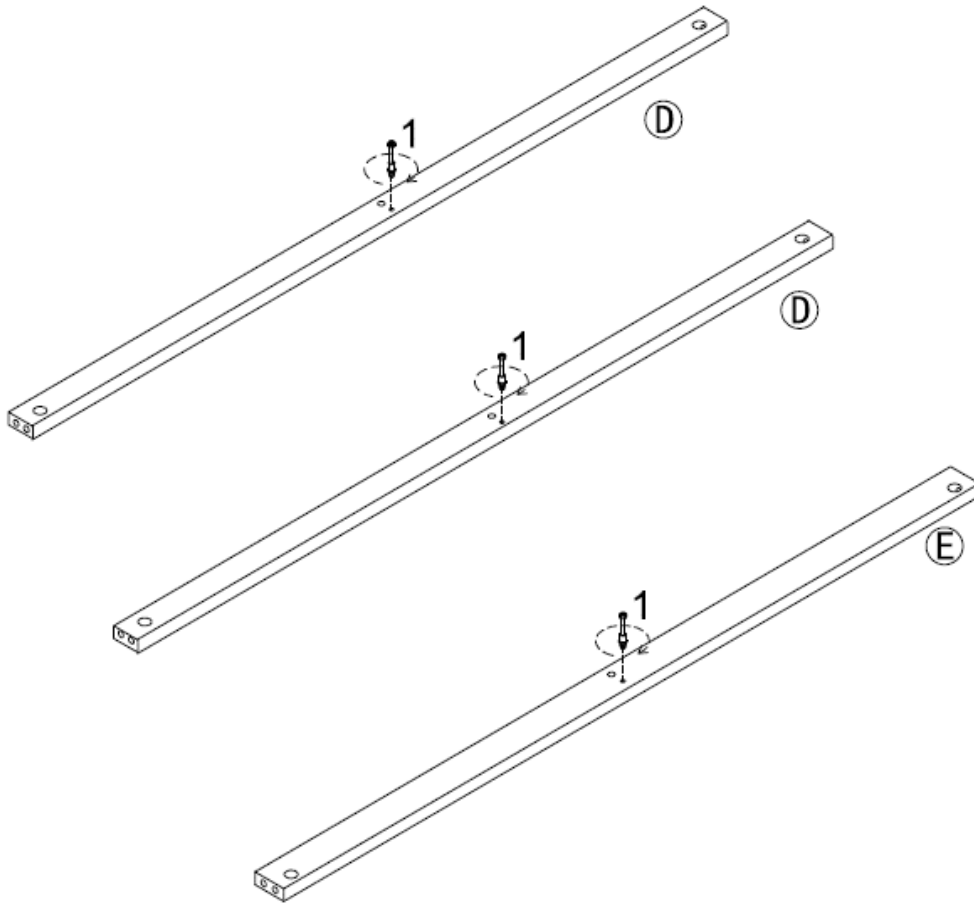


|   |   |      |
|---|---|------|
| 2 |  | 3PCS |
| 3 |  | 3PCS |

# Miles Cómoda de 6 Cajones DA7319-1BLS / DA7319-1WS

## ETAPA 3

Inserte un perno de leva grande (1) en el barra inferior anterior (D) y barra inferior central (E) como ilustrado.



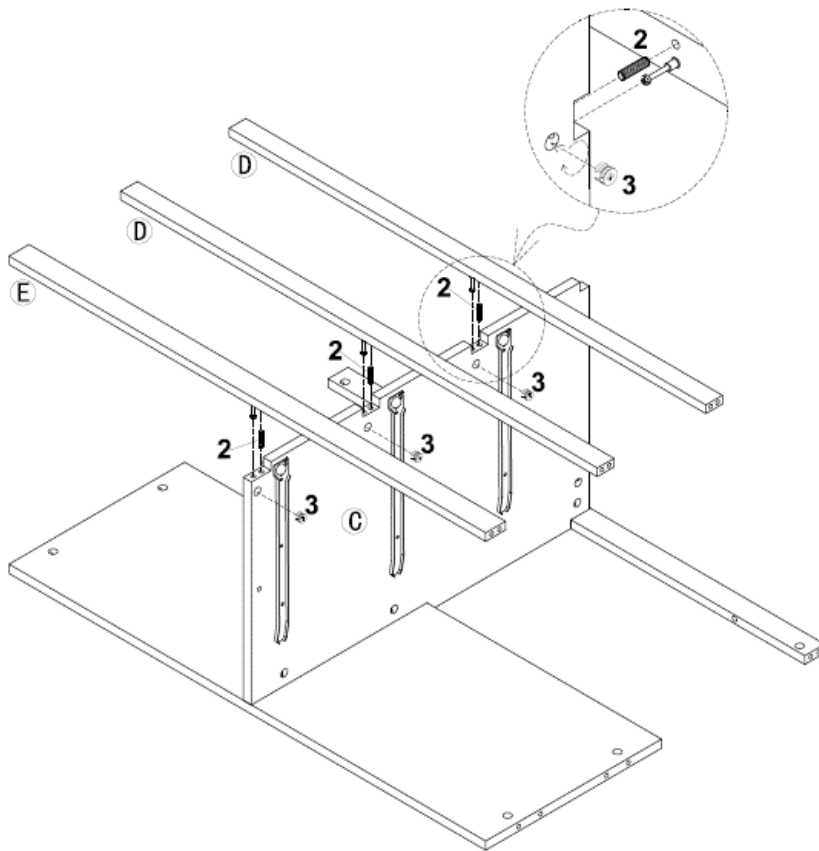
# Miles Cómoda de 6 Cajones


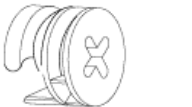
## DA7319-1BLS / DA7319-1WS

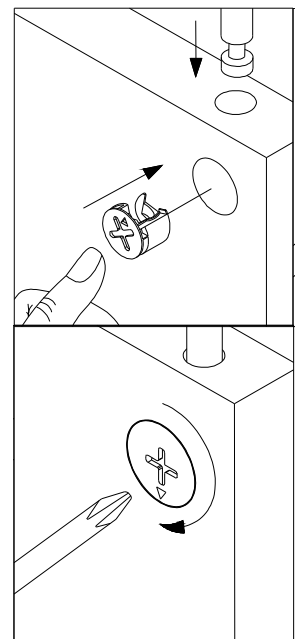
### ETAPA 4

Inserte clavijas de madera grandes (2) y seguros de leva grandes (3) en el panel central (C) como ilustrado.

Una la barras (D & E) con el panel inferior central (C) y fije girando el seguro de leva grande (3) 1/2 vuelta en sentido horario con un destornillador Phillips (no incluido).



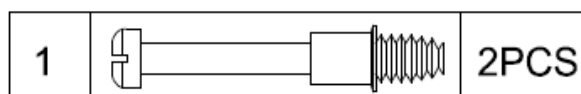
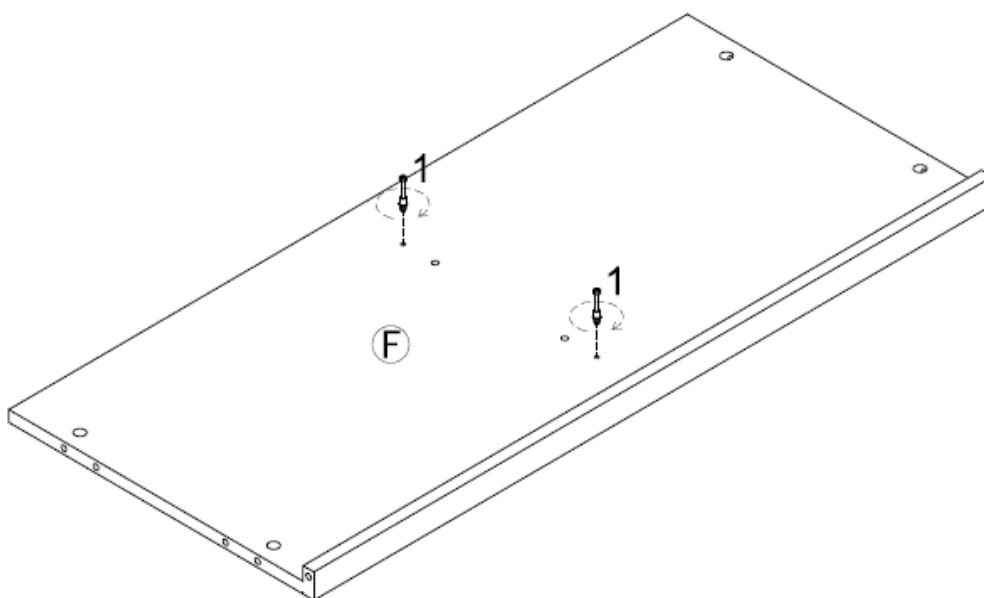
|   |   |      |
|---|---|------|
| 2 |  | 3PC  |
| 3 |  | 3PCS |



# Miles Cómoda de 6 Cajones DA7319-1BLS / DA7319-1WS

## ETAPA 5

Inserte pernos de leva grandes (1) en la tapa del mueble (F) como ilustrado.



# Miles Cómoda de 6 Cajones

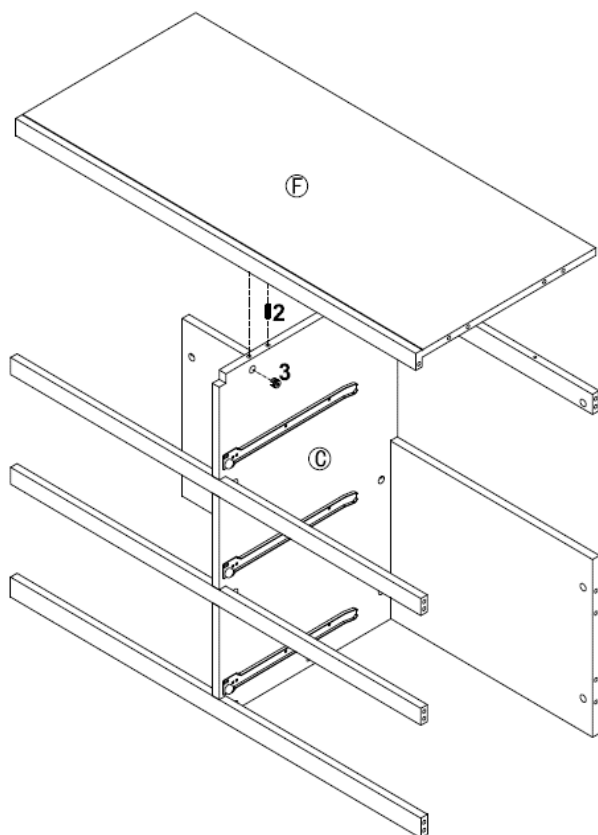
## DA7319-1BLS / DA7319-1WS

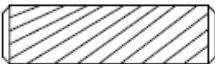

### ETAPA 6

Inserte clavijas de madera grandes (2) y seguros de leva grandes (3) en el panel central (C).

Coloque la tapa del mueble (J) sobre la unidad ya ensamblada.

Fije la tapa del mueble (F) a la unidad ya ensamblada en girando los seguros de leva grandes (3)  $\frac{1}{2}$  vuelta en sentido horario con un destornillador Phillips (no incluido).

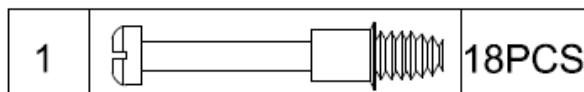
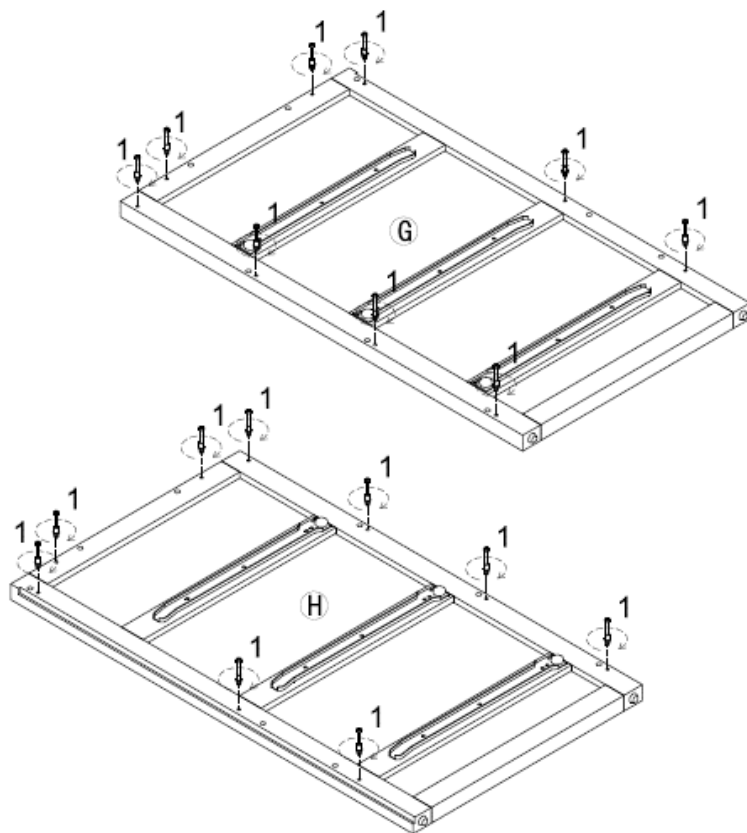


|   |   |      |
|---|---|------|
| 2 |  | 2PCS |
| 3 |  | 2PCS |

# Miles Cómoda de 6 Cajones DA7319-1BLS / DA7319-1WS

## ETAPA 7

Inserte un perno de leva grande (1) en panels lateral izquierdo et panel lateral derecho (G y H) como ilustrado.





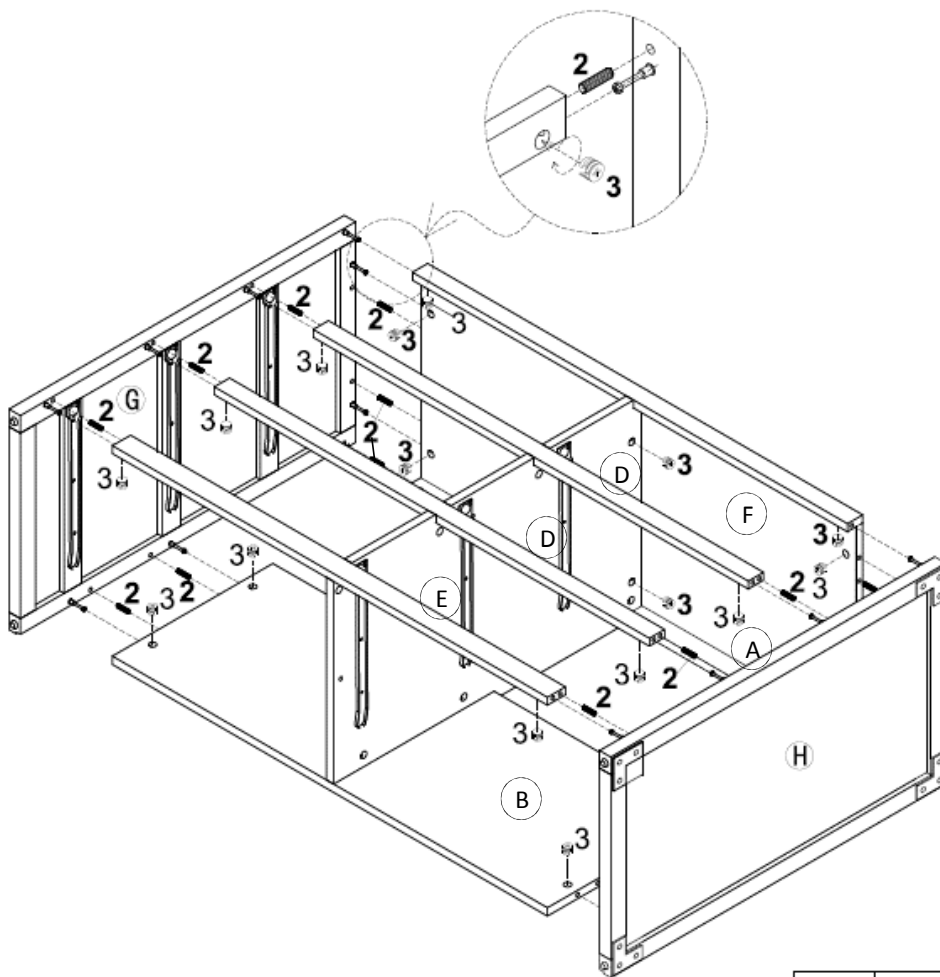
# Miles Cómoda de 6 Cajones



## DA7319-1BLS / DA7319-1WS

### ETAPA 8

Inserte clavijas de madera grandes (2) y seguros de leva grandes (3) en el barras (A, D y E), tapa del mueble (F) y panel posterior inferior (B) como ilustrado.

Una los paneles laterales derecho e izquierdo (G y H) con la unidad ensamblada como ilustrado más abajo a la unidad ya ensamblada girando los seguros de leva grandes (3) 1/2 vuelta en sentido horario con un destornillador Phillips (no incluido).



|   |   |       |
|---|---|-------|
| 2 |  | 16PCS |
| 3 |  | 18PCS |

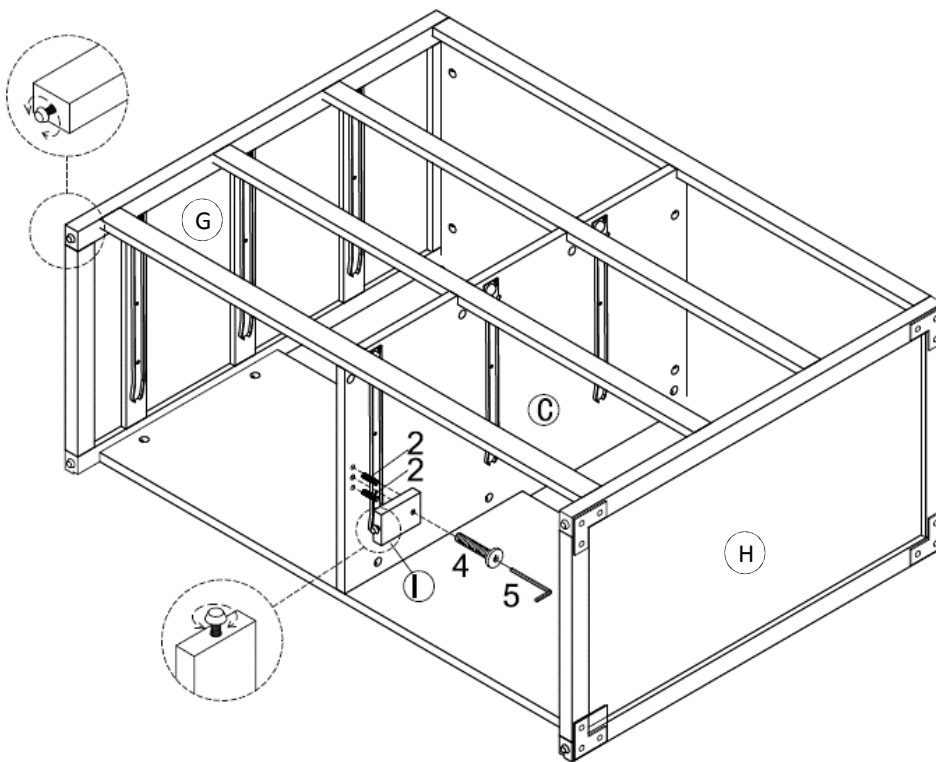
# Miles Cómoda de 6 Cajones

## DA7319-1BLS / DA7319-1WS

### ETAPA 9

Una la pata de soporte (I) con el panel inferior central (C) con un perno (4) y clavijas de madera grandes (2) como ilustrado. Utilice la llave Allen (5) para ajustar los pernos.

NOTA- La pata de soporte (I) y los paneles laterales (G y H) están provistos de niveladores ajustables. Una vez que haya completado el ensamblado y el mueble se encuentre en el lugar deseado, gire los niveladores en sentido horario o antihorario hasta que el mueble quede bien apoyado sobre el piso.



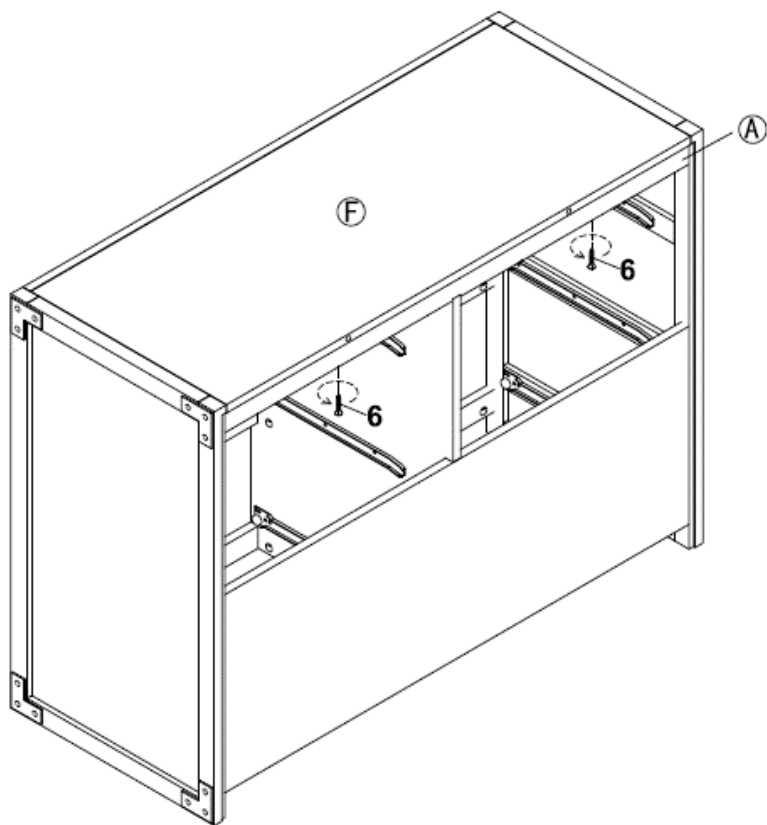
|   |  |      |
|---|--|------|
| 2 |  | 2PCS |
| 4 |  | 1PC  |
| 5 |  |      |

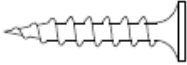
# Miles Cómoda de 6 Cajones

## DA7319-1BLS / DA7319-1WS

### ETAPA 10

Una el tapa del mueble (F) con la barra superior posterior (A) con tornillos (6).  
Utilice un destornillador Phillips (no incluido) para ajustar los tornillos.



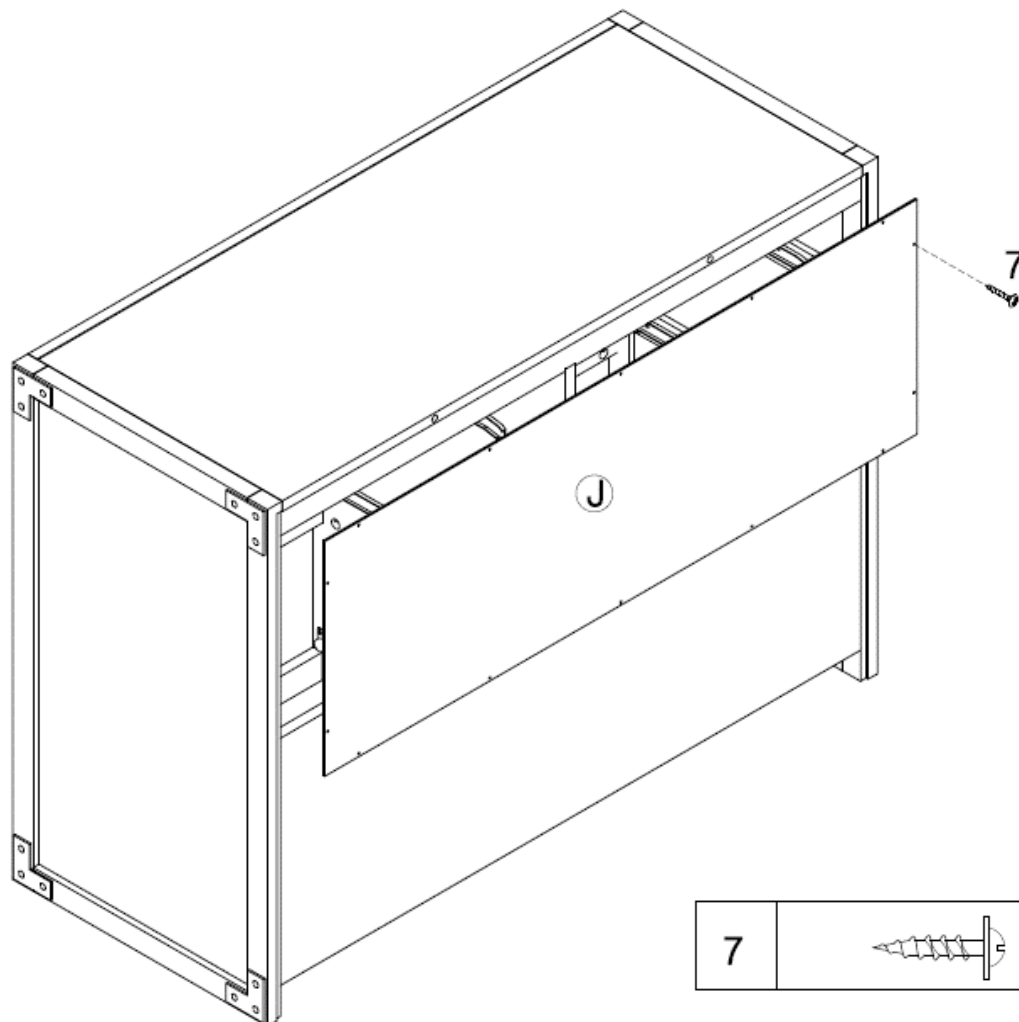
|   |   |      |
|---|---|------|
| 6 |  | 2PCS |
|---|---|------|

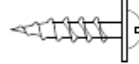
# Miles Cómoda de 6 Cajones

## DA7319-1BLS / DA7319-1WS

### ETAPA 11

Una el panel superior posterior (J) con la unidad ya ensamblada con tornillos (7).  
Utilice un destornillador Phillips (no incluido) para ajustar los tornillos.



|   |   |       |
|---|---|-------|
| 7 |  | 14PCS |
|---|---|-------|

# Miles Cómoda de 6 Cajones

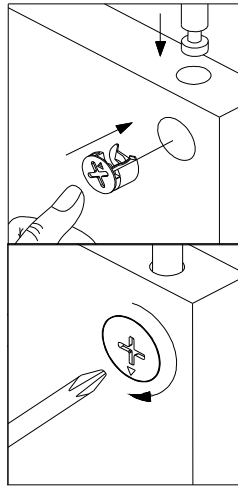
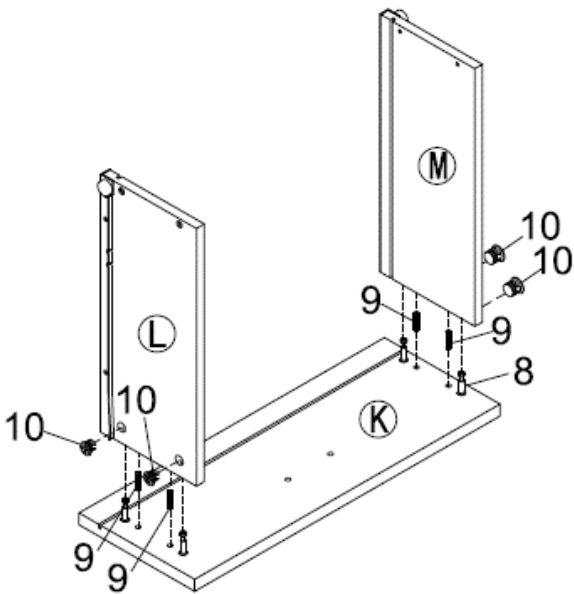
## DA7319-1BLS / DA7319-1WS


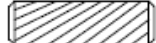

### ETAPA 12

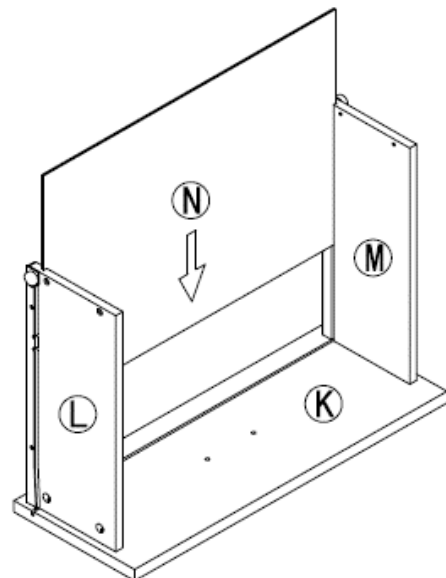
Inserte pernos de leva pequeños (8) y clavijas de madera pequeñas (9) en el frente cajón (K).  
Inserte seguros de leva pequeños (10) en los lados izquierdo y derecho (L y M).

Una los lados izquierdo y derecho (L y M) con el frente cajón (K). Fije los lados del cajón girando los seguros de leva pequeños (10) ½ vuelta en sentido horario con un destornillador Phillips (no incluido).

Deslice el fondo de cajón (N) en las ranuras de los lados izquierdo y derecho (L y M) y del el frente cajón (K)



|    |   |       |
|----|---|-------|
| 8  |  | 24PCS |
| 9  |  | 24PCS |
| 10 |  | 24PCS |



# Miles Cómoda de 6 Cajones

## DA7319-1BLS / DA7319-1WS

### ETAPA 13

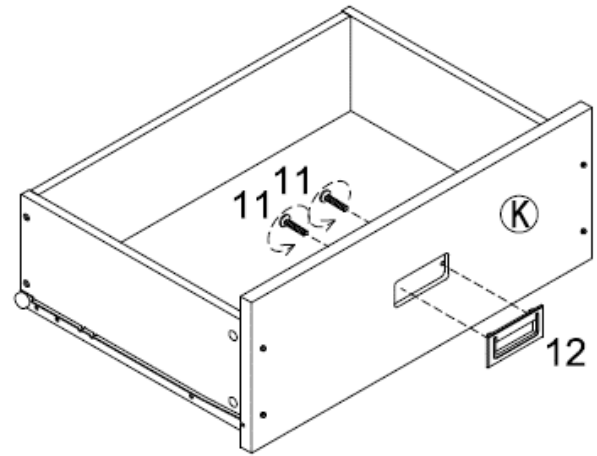
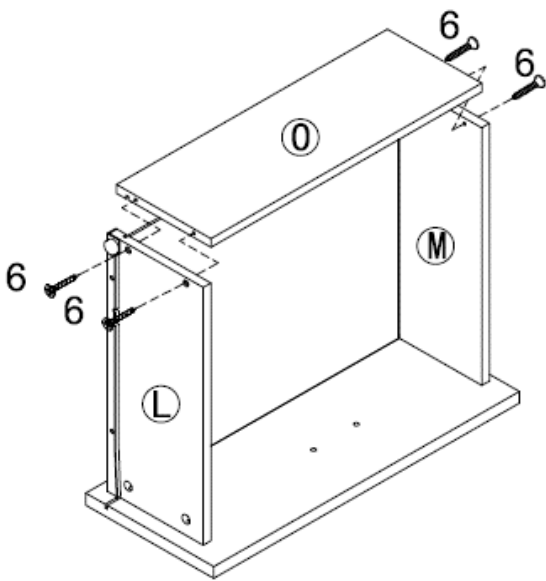
Una el lado posterior cajón (O) con los lados izquierdo y derecho (L y M) con tornillos (6).

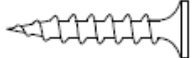

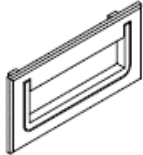
Utilice un destornillador Phillips (no incluido) para ajustar los tornillos.

Coloque el manija (12) en el frente cajón (K) con un perno (11).

Utilice un destornillador Phillips (no incluido) para ajustar el perno.

Repita las etapas 12 y 13 para ensamblar el otro cajón.

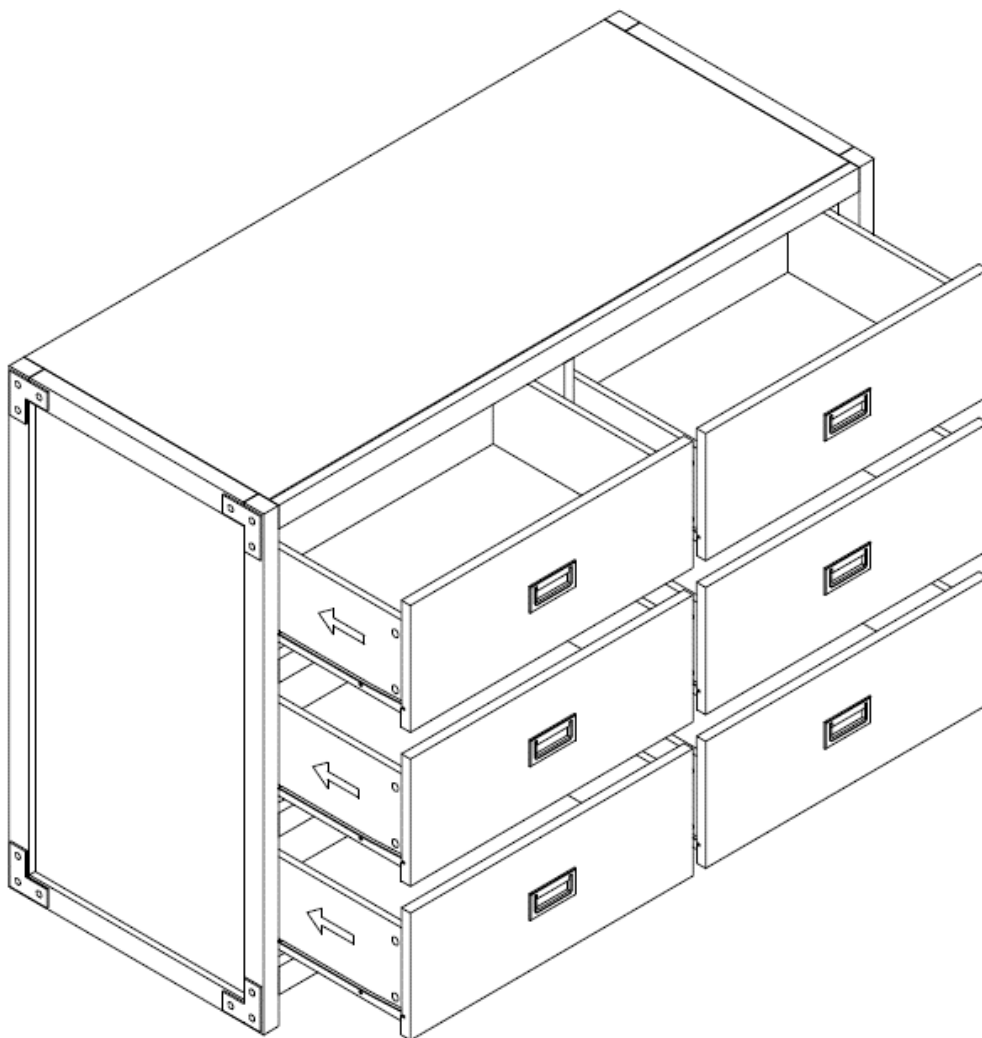


|    |   |       |
|----|---|-------|
| 6  |  | 24PCS |
| 11 |  | 12PCS |
| 12 |  | 6PCS  |

# Miles Cómoda de 6 Cajones DA7319-1BLS / DA7319-1WS

## ETAPA 14

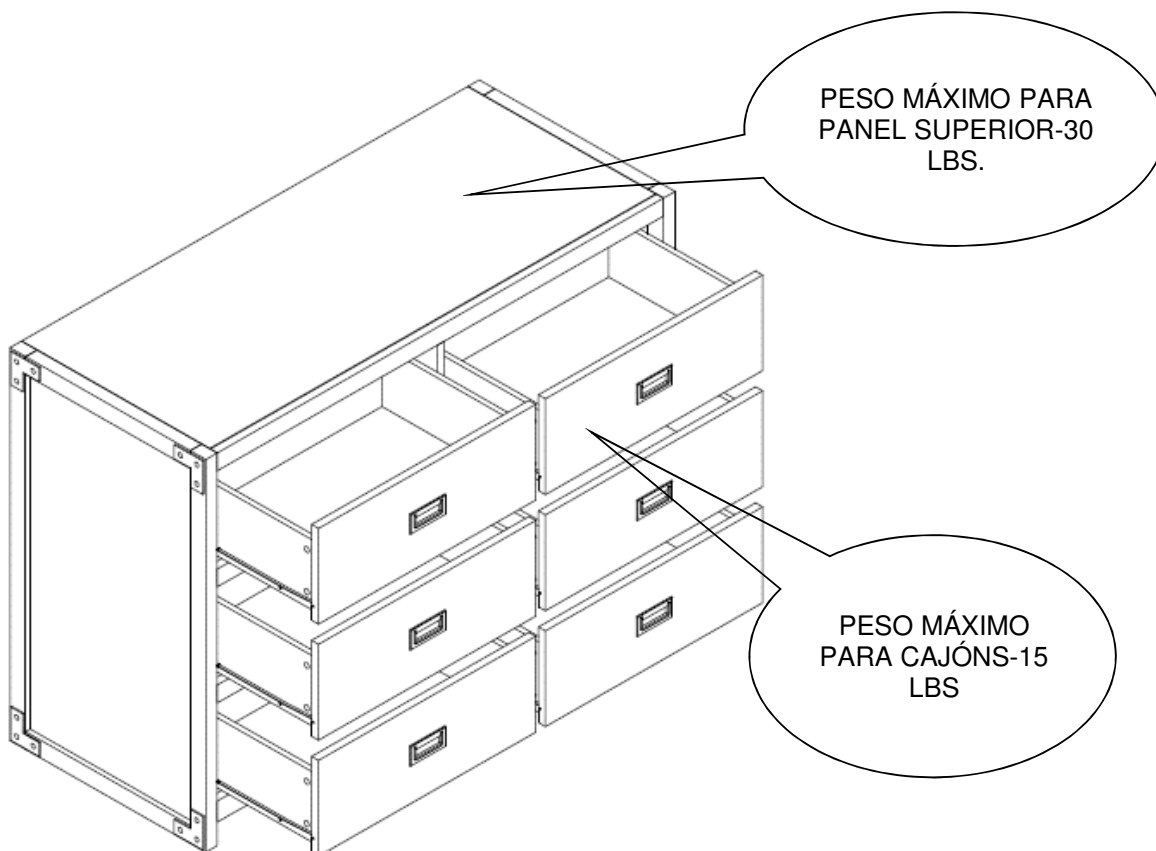
Coloque todos los cajones en la cómoda ya armada como ilustrado.



# Miles Cómoda de 6 Cajones DA7319-1BLS / DA7319-1WS



**PRECAUCIÓN:** Esta unidad está prevista únicamente para ser usada con los productos y el peso máximo indicados. El usarla con otros productos más pesados que el peso máximo indicado puede provocar inestabilidad y causar heridas.



¡Listo! ¡Ya ha terminado de ensamblar la Cómoda de 6 Cajones.

**NO DEVUELVA EL PRODUCTO A LA TIENDA.**  
Si falta una pieza o está dañada, contacte nuestro departamento de servicio a la clientela. Reemplazaremos la pieza SIN cargo.



**Tel #:** 1-800-295-1980  
**Correo electrónico:** [das@dorel.com](mailto:das@dorel.com)  
**Fax #:** 514-353-7819



# Servicio a la Clientela

**POR FAVOR, NO DEVUELVA ESTE PRODUCTO A LA TIENDA**

**POR FAVOR, CONTACTE LOS REPRESENTANTES DEL SERVICIO A LA CLIENTELA A LOS SIGUIENTES NÚMEROS SI FALTA UNA PIEZA O ESTÁ DEFECTUOSA.**

Número de teléfono del Servicio a la Clientela 1-800-295-1980  
Número de fax del Servicio a la Clientela 514-353-7819      Email: [das@dorel.com](mailto:das@dorel.com)

Fecha de pedido:

Nombre:

Dirección de envío:   
Calle y número:  
Ciudad y Estado:  
Código postal:

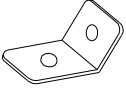



Teléfono para llamar de día:  
(incluyendo código regional)

Fecha y lugar de compra:

Descripción de pieza(s) y cantidad: (Por favor, asegúrese de incluir número de modelo o número SKI)

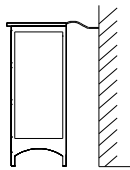
Dirección postal del Servicio a la Clientela:

# Correa de seguridad para fijar el mueble a la pared

|   |   |   |   |
|---|---|---|---|
| <b>A</b><br> | <b>B</b><br> | <b>C</b><br> | <b>D</b><br> |
| <b>GANCHO DE METAL</b><br><b>4 PZAS</b>   | <b>CORREA DE SEGURIDAD PARA LA PARED</b><br><b>2 PZAS</b>                                     | <b>TORNILLO LARGO</b><br><b>2 PZAS</b>  | <b>TORNILLO CORTO</b><br><b>2 PZAS</b>  |

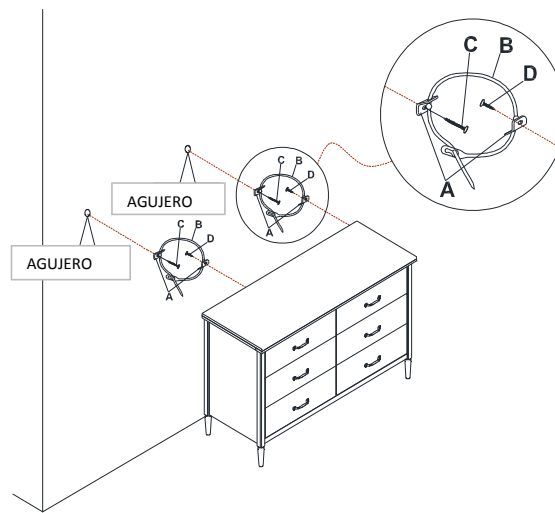
**HERRAMIENTAS NECESARIAS: LA MASA DE CAUCHO Y EL DESTORNILLADOR PHILLIPS NO ESTÁN INCLUIDOS.**

**NOTA: LA MECHA DE 5/16" Y EL TALADRO ELÉCTRICO NO ESTÁN INCLUIDOS.**



**⚠ ADVERTENCIA: ES POSIBLE QUE EL MUEBLE PUEDA VOLCARSE AL ESTAR DE PIE. INSTALE LA CORREA DE SEGURIDAD PARA LA PARED DETRÁS DEL MUEBLE PARA ASEGURARSE DE QUE NO SE VUELQUE.**

**SÍRVASE LEER TODAS LAS INSTRUCCIONES CON ATENCIÓN ANTES DE UTILIZAR ESTE PRODUCTO Y SÍRVASE CONSERVARLAS PARA SU USO FUTURO. SI TIENE PREGUNTAS, POR FAVOR LLAME A NUESTRO NÚMERO DE ATENCIÓN AL CLIENTE: 1-800-295-1980.**



**ETAPA 1: CON EL TORNILLO CORTO (D), FIJE FIRMEMENTE UN GANCHO DE METAL (A) A LA BARRA TRANSVERSAL SUPERIOR POSTERIOR DEL MEUBLE, A TRAVÉS DEL AGUJERO MÁS PEQUEÑO**

**ETAPA 2: CON UN ANCLAJE, COLOQUE EL OTRO GANCHO DE METAL (A) SOBRE LA PARED 2 PULGADAS POR DEBAJO DEL GANCHO YA COLOCADO EN LA PARTE POSTERIOR DEL MUEBLE. FÍJELO AL ANCLAJE DE LA PARED CON EL TORNILLO LARGO (C), A TRAVÉS DEL AGUJERO MÁS PEQUEÑO.**

**ETAPA 3: COLOQUE EL MUEBLE EN SU POSICIÓN DE MANERA QUE LOS DOS GANCHOS ESTÉN ALINEADOS VERTICALMENTE. PASE EL EXTREMO DE LA CORREA DE SEGURIDAD (B) A TRAVÉS DEL AGUJERO MÁS GRANDE DE CADA GANCHO (A). COLOQUE LOS DOS EXTREMOS JUNTOS Y DESLICE EL EXTREMO PLANO A TRAVÉS DEL EXTREMO DE LA FIJACIÓN HASTA QUE QUEDE BIEN AJUSTADO.**

**ETAPA 4: ASEGÚRESE DE QUE LA CORREA ESTÉ BIEN PASADA Y AJUSTADA.**

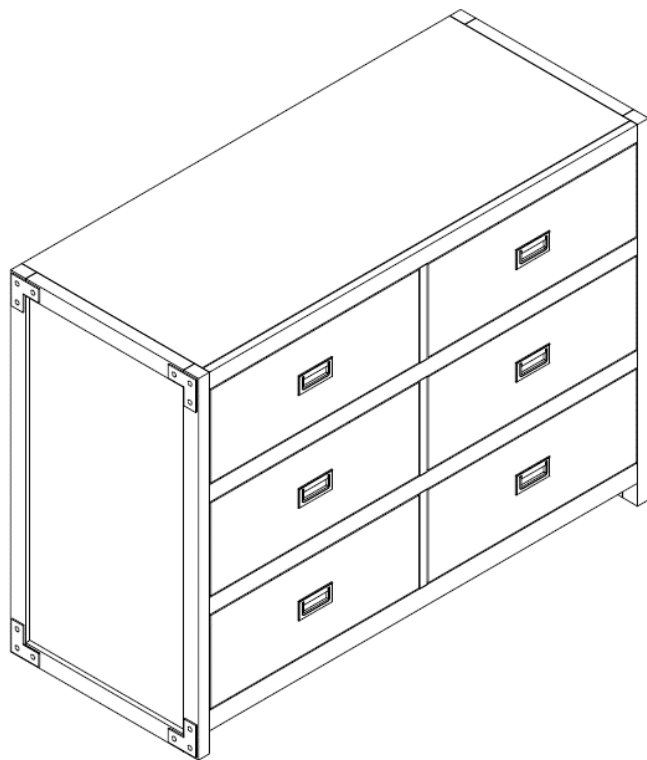
**PARA DESPLAZAR EL MUEBLE DESPUÉS DE HABER INSTALADO LA CORREA EN LA PARED, SIMPLEMENTE RETIRE EL TORNILLO (A) DE LA PARED PARA AFLOJAR LA CORREA DE SEGURIDAD.**

# MANUEL D'INSTRUCTIONS

---



## Miles Commode 6 Tiroirs



**Modèle No:**

DA7319-1BLS (Bleu)

DA7319-1WS (Blanc)

**CODE CUP :**

0-65857-17220-1 (Bleu)

0-65857-17224-9 (Blanc)

**NOTE:**

CE MANUEL D'INSTRUCTIONS  
CONTIENT INFORMATION  
DE SÉCURITÉ **IMPORTANTE.**  
VEUILLEZ LE LIRE ET LE CONSERVER  
POUR RÉFÉRENCE ULTÉRIEURE.

**Numéro de lot:**

(SUR LA BOÎTE)

\_\_\_\_\_

**Date d'achat:**

\_\_\_\_ / \_\_\_\_ / \_\_\_\_

**NE RETOURNEZ PAS LE PRODUIT AU MAGASIN.**

Si une pièce est manquante ou endommagée, veuillez  
communiquer avec notre service à la clientèle. Nous la  
remplacerons GRATUITEMENT.



Tél : 1-800-295-1980  
Courriel : das@dorel.com  
Fax : 514-353-7819

## SERVICE À LA CLIENTÈLE

Si une pièce est manquante, ou pour toute question concernant ce produit, veuillez d'abord communiquer avec notre représentant de service à la clientèle!

 **APPELEZ AU 1-800-295-1980**

Vous pouvez aussi commander des pièces en écrivant à l'adresse indiquée ci-dessous. Veuillez inclure le numéro de modèle du produit, la couleur et une description détaillée de la pièce.

**Service à la clientèle No. 413**  
12345 Boulevard Albert-Hudon, bureau 100  
Montréal, Québec  
Canada H1G 3L1  
**COURRIEL : [das@dorel.com](mailto:das@dorel.com)**

## NOTES :

- \* Veuillez vous assurer d'avoir toutes les pièces et composantes avant de commencer l'assemblage.
- \* Monter sur une surface douce, lisse pour éviter d'endommager la finition du produit.
- \* Utilisez la courroie de sécurité fournie pour fixer le meuble au mur.
- \* Phillips head screw driver is not included.
- \* **NE PAS UTILISER** d'outils électriques.
- \* ATTENTION: Doit être assemblé par un adulte.
- \* Deux personnes peuvent être nécessaires pour l'assemblage et la manipulation.
- \* Pour éviter des dommages, une fois les niveleurs installés, NE PAS traîner le meuble sur la surface pour le déplacer. Assurez-vous de le soulever.
- \* Le temps d'assemblage estimé est de 60 minutes.

## **AVERTISSEMENT**

**Des blessures graves ou mortelles par écrasement peuvent se produire par des meubles renversés. Pour aider à prévenir les renversements:**

- \* Installer le dispositif de retenue fourni.
- \* Placez les articles lourds dans les tiroirs inférieurs.
- \* À moins d'être conçu spécifiquement pour accommoder, ne pas placer de téléviseurs ou d'autres objets lourds sur le dessus de ce produit.
- \* Ne jamais laisser les enfants grimper ou se suspendre aux tiroirs, portes ou étagères.
- \* Ne jamais ouvrir plus d'un tiroir à la fois.
- \* Ne pas déjouer ou enlever le système de verrou du tiroir.
- \* L'utilisation de dispositif de retenue peut seulement réduire, mais non éliminer le risque de renversement.

## ENTRETIEN ET NETTOYAGE

Époussetez régulièrement avec un chiffon doux et sans charpie pour empêcher la poussière de s'accumuler. Essuyez immédiatement. N'utilisez pas des produits nettoyants abrasifs sur le cadre de métal, car cela pourrait endommager la finition. Une exposition excessive au soleil et aux changements extrêmes de température et de l'humidité peut endommager le bois.

### ENTRETIEN

Veuillez vérifier les boulons et les vis périodiquement et serrez-les si cela s'avère nécessaire.

## GARANTIE LIMITÉE

Dorel garantit que ce produit est exempt de tout défaut de matériaux et de fabrication et s'engage à remédier à un tel défaut. Cette garantie a une validité de 1 an à compter de la date originelle d'achat. Cette garantie est valide uniquement sur présentation de la preuve d'achat. Elle est strictement limitée à la réparation ou remplacement de pièces défectueuses et ne couvre pas les travaux d'assemblage. Cette garantie ne s'applique pas à un produit qui a été assemblé incorrectement, qui a fait l'objet d'un mauvais usage ou d'abus, qui a été modifié ou réparé. Cette garantie vous accorde des droits légaux spécifiques, mais vous pouvez avoir d'autres droits qui varient selon les États.

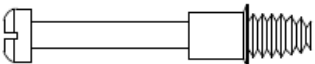


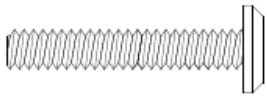

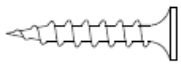
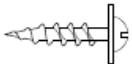
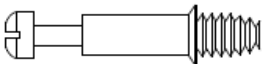
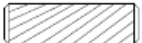


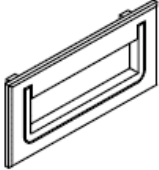



**MISE EN GARDE : Si ce produit est endommagé, et/ou il lui manque des composantes ou elles sont brisées, NE L'UTILISEZ PAS.**

# Miles Commode 6 Tiroirs

## DA7319-1BLS / DA7319-1WS

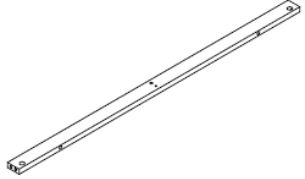
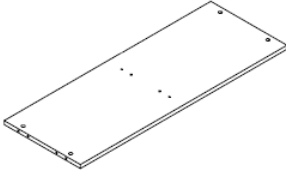

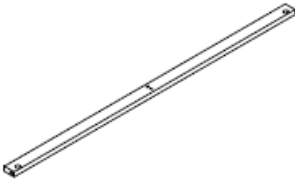
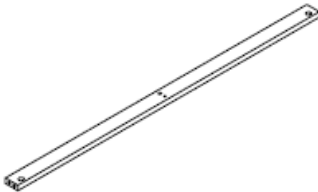
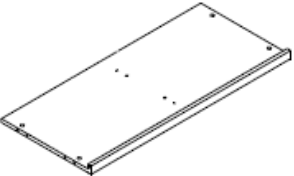
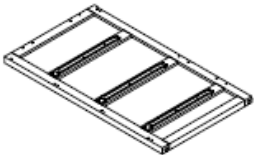
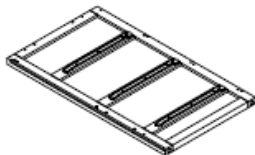
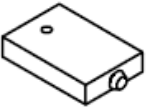
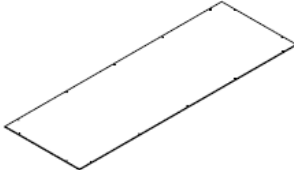
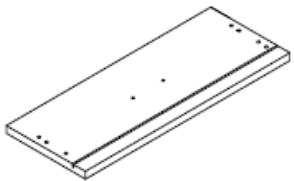

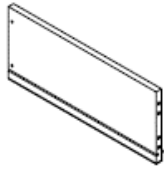
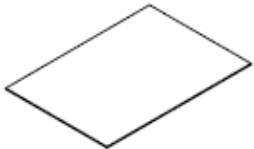
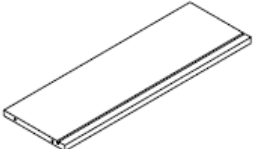
### LISTE DE QUINCAILLERIE

|   |  |   |
|---|--|---|
| <p>1</p>                     | <p>2</p>  <p>Ø8 X 30mm</p>        | <p>3</p>                     |
| <p>GRAND BOULON<br/>À CAME<br/>26 PCES</p>  | <p>GRAND GOUJON<br/>DE BOIS<br/>26 PCES</p>  | <p>GRAND VERROUILLAGE<br/>À CAME<br/>26 PCES</p>  |
| <p>4</p>  <p>1/4" x 35mm</p> | <p>5</p>                          | <p>6</p>  <p>Ø4 X 25mm</p>   |
| <p>BOULON<br/>1 PCE</p>   | <p>CLÉ ALLEN<br/>1 PCE</p>   | <p>VIS<br/>26 PCES</p>  |
| <p>7</p>  <p>Ø3 X 15mm</p> | <p>8</p>                        | <p>9</p>  <p>Ø6 X 20mm</p> |
| <p>VIS<br/>14 PCES</p>  | <p>PETIT BOULON<br/>À CAME<br/>24 PCES</p>   | <p>PETIT GOUJON<br/>DE BOIS<br/>24 PCES</p>   |
| <p>10</p>                  | <p>11</p>  <p>Ø5/32" x 15mm</p> | <p>12</p>                  |
| <p>PETIT VERROUILLAGE<br/>À CAME<br/>24 PCES</p>  | <p>BOULON<br/>12 PCES</p>  | <p>POIGNÉE<br/>6 PCES</p>   |
| <p>13</p>                  |  |   |
| <p>COURROIE DE<br/>SÉCURITÉ<br/>1 KIT</p>   |  |   |

# Miles Commode 6 Tiroirs

## DA7319-1BLS / DA7319-1WS

### LISTE DE PIÈCES

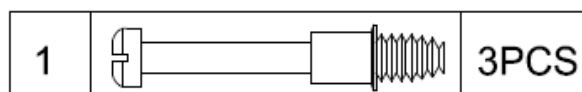
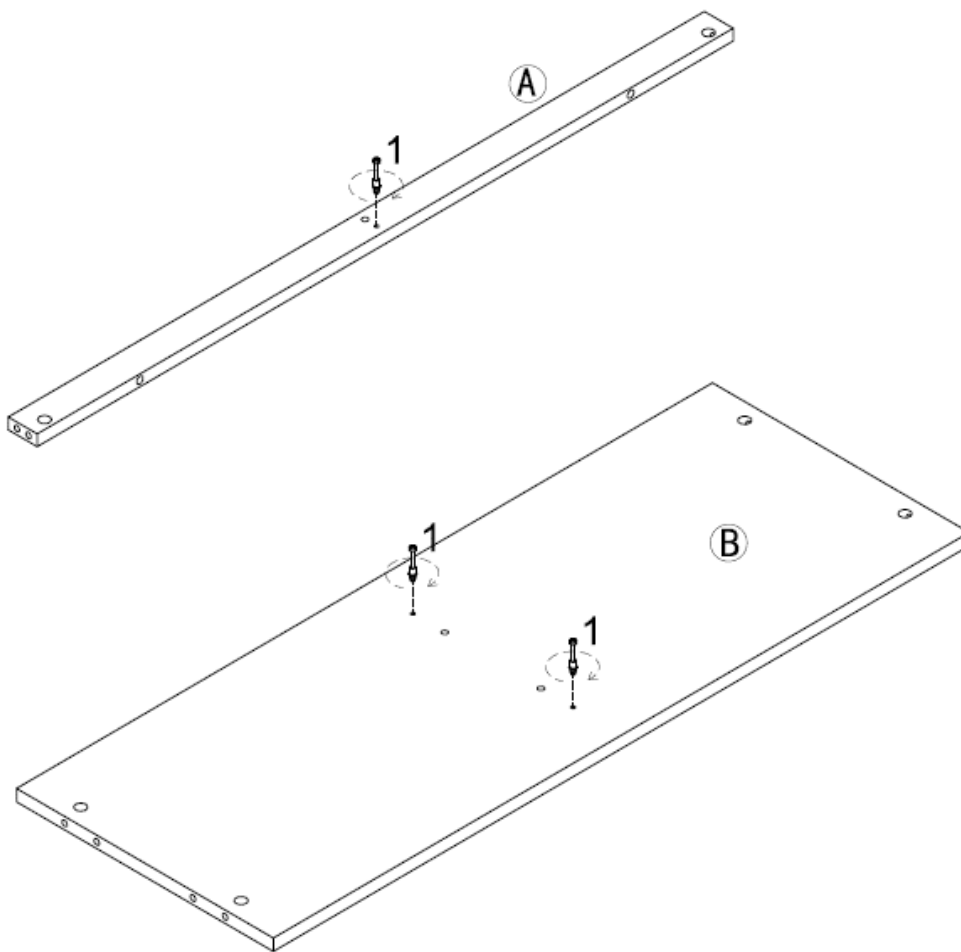
|   |   |  |   |
|---|---|--|---|
| <p><b>A</b></p>     | <p><b>B</b></p>    | <p><b>C</b></p>    | <p><b>D</b></p>    |
| <p>BARRE SUPÉRIEURE<br/>ARRIÈRE<br/>1 PCE</p>   | <p>PANNEAU INFÉRIEUR<br/>ARRIÈRE<br/>1 PCE</p>  | <p>PANNEAU CENTRAL<br/>1 PCE</p>   | <p>BARRE INFÉRIEURE<br/>CENTRALE<br/>2 PCES</p>   |
| <p><b>E</b></p>    | <p><b>F</b></p>   | <p><b>G</b></p>   | <p><b>H</b></p>   |
| <p>BARRE INFÉRIEURE<br/>AVANT<br/>1 PCE</p>   | <p>DESSUS DU MEUBLE<br/>1 PCE</p>   | <p>PANNEAU LATÉRAL<br/>GAUCHE<br/>1 PCE</p>  | <p>PANNEAU LATÉRAL<br/>DROIT<br/>1 PCE</p>  |
| <p><b>I</b></p>  | <p><b>J</b></p>  | <p><b>K</b></p>  | <p><b>L</b></p>  |
| <p>PIED DE SUPPORT<br/>1 PCE</p>  | <p>PANNEAU<br/>POSTÉRIEUR<br/>SUPÉRIEUR<br/>1 PCE</p>   | <p>DEVANT TIROIR<br/>6 PCES</p>  | <p>CÔTÉ TIROIR<br/>GAUCHE<br/>6 PCES</p>  |
| <p><b>M</b></p>  | <p><b>N</b></p>  | <p><b>O</b></p>  |   |
| <p>CÔTÉ TIROIR<br/>DROIT<br/>6 PCES</p>   | <p>FOND DE TIROIR<br/>6 PCES</p>  | <p>CÔTÉ ARRIÈRE<br/>TIROIR<br/>6 PCES</p>  |   |

# Miles Commode 6 Tiroirs

## DA7319-1BLS / DA7319-1WS

### ÉTAPE 1

Insérez un grand boulon à came (1) dans barre supérieure arrière (A) et panneau inférieur arrière (B) comme illustré.



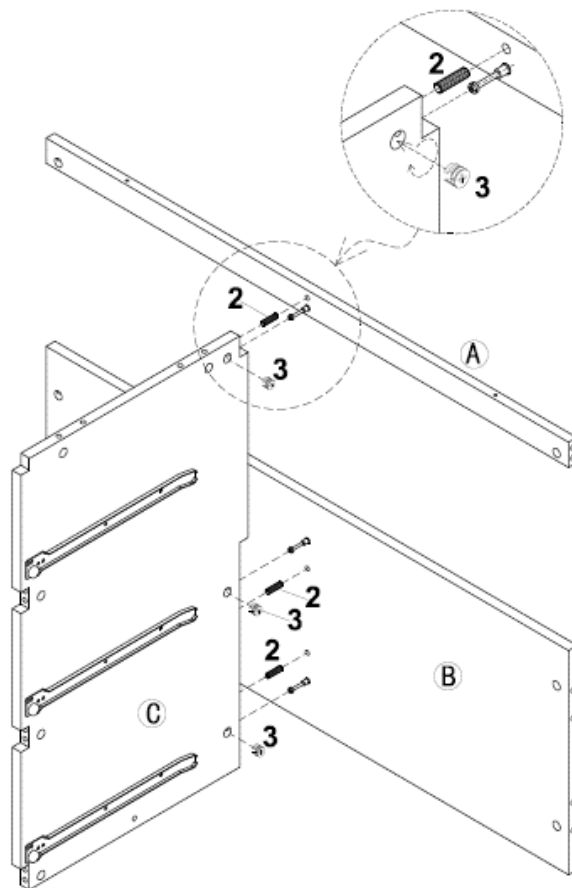
# Miles Commode 6 Tiroirs

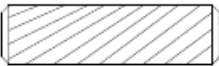

## DA7319-1BLS / DA7319-1WS

### ÉTAPE 2

Insérez des grands goujons de bois (2) et des grands verrouillages à came (3) dans dans le panneau central (C).

Attachez la barre supérieure arrière (A) et panneau inférieur arrière (B) au panneau central (C) et fixez en tournant le grand verrouillage à came (3) 1/2 tour dans le sens des aiguilles d'une montre à l'aide d'un tournevis cruciforme (non compris).



|   |   |      |
|---|---|------|
| 2 |  | 3PCS |
| 3 |  | 3PCS |

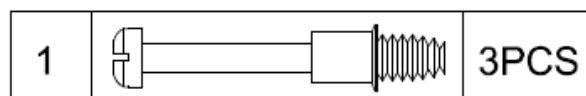
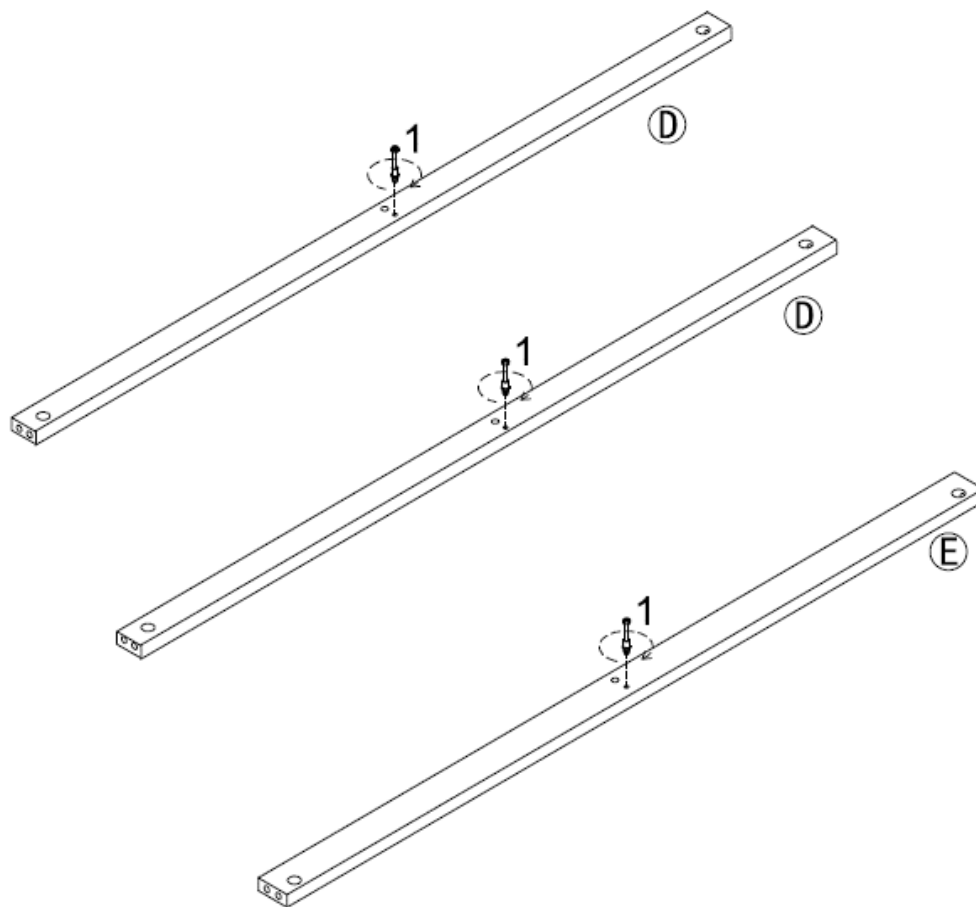


# Miles Commode 6 Tiroirs

## DA7319-1BLS / DA7319-1WS

### ÉTAPE 3

Insérez un grand boulon à came (1) dans barre inférieure avant (D) et barres inférieure centrales (E) comme illustré.



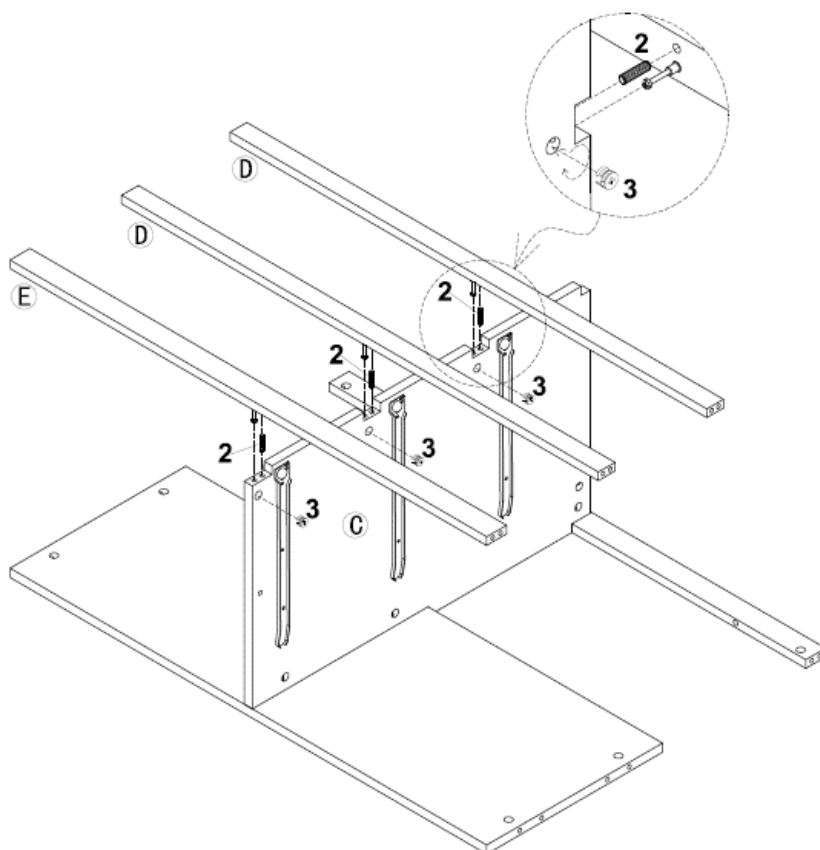
# Miles Commode 6 Tiroirs



## DA7319-1BLS / DA7319-1WS

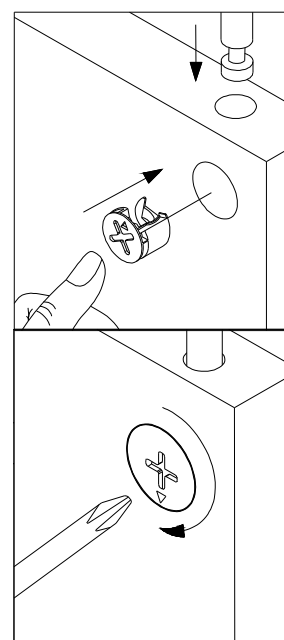
### ÉTAPE 4

Insérez un grand goujon de bois (2) et des grands verrouillages à came (3) dans le panneau central (C) comme illustré.

Attachez les barres (D et E) à le panneau central (C) et fixez les barres en tournant les grands verrouillages à came (3) 1/2 tour dans le sens des aiguilles d'une montre à l'aide d'un tournevis cruciforme (non compris).



|   |   |      |
|---|---|------|
| 2 |  | 3PC  |
| 3 |  | 3PCS |

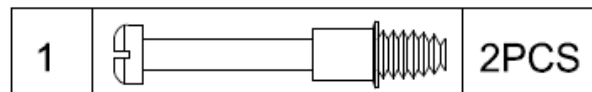
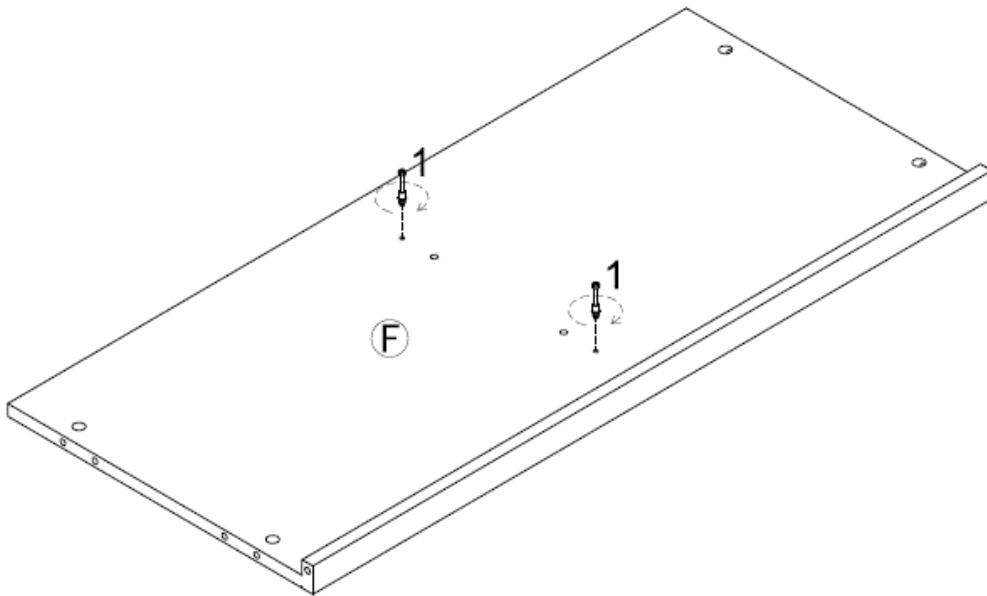


# Miles Commode 6 Tiroirs

## DA7319-1BLS / DA7319-1WS

### ÉTAPE 5

Insérez des grands boulons à came (1) dans le dessus du meuble (F) comme illustré.



# Miles Commode 6 Tiroirs

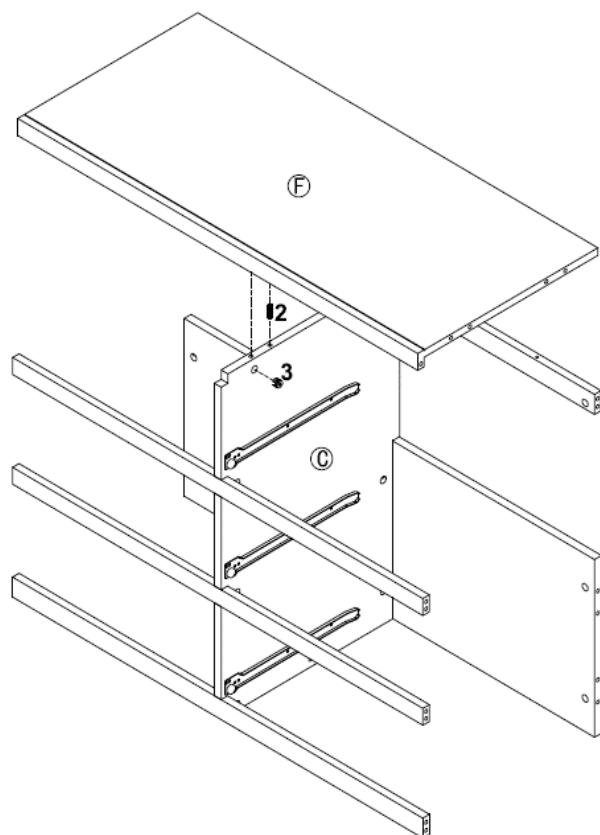
## DA7319-1BLS / DA7319-1WS

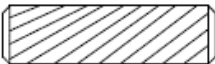

### ÉTAPE 6

Insérez un grand goujon de bois (2) et des grands verrouillages à came (3) dans le panneau central (C).

Placez le dessus du meuble (F) sur l'unité déjà assemblée.

Fixez le dessus du meuble (F) en tournant les grands verrouillages à came (3) en le panneau central (C) 1/2 tour dans le sens des aiguilles d'une montre à l'aide d'un tournevis cruciforme (non compris).



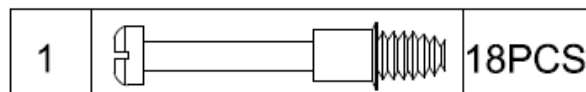
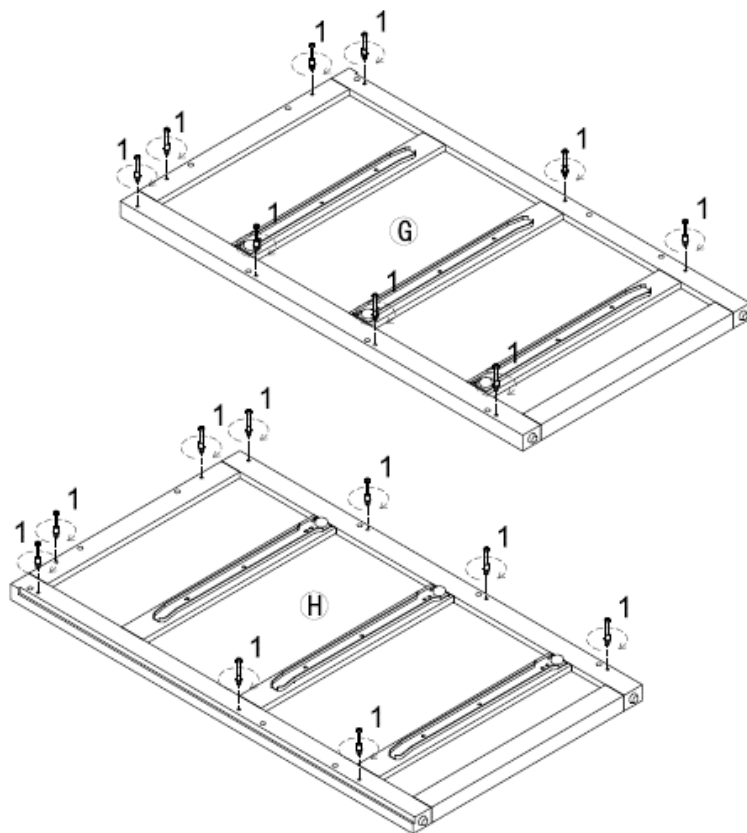
|   |   |      |
|---|---|------|
| 2 |  | 2PCS |
| 3 |  | 2PCS |

# Miles Commode 6 Tiroirs

## DA7319-1BLS / DA7319-1WS

### ÉTAPE 7

Insérez des grands boulons à came (1) dans les panneaux latéraux droit et gauche (G et H) comme illustré.



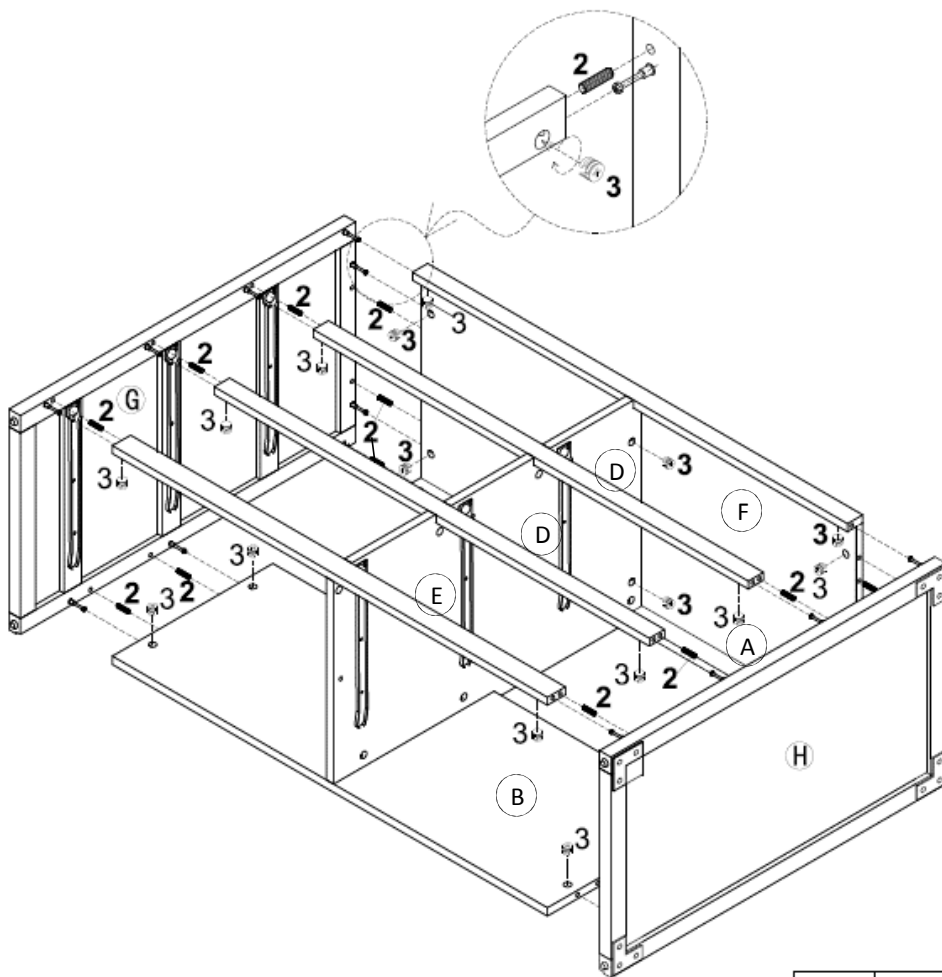
# Miles Commode 6 Tiroirs

## DA7319-1BLS / DA7319-1WS

### ÉTAPE 8

Insérez des grands goujons de bois (2) et des grands verrouillages à came (3) dans les barres (A, D et E), le dessus du meuble (F) et dans le panneau inférieur arrière (B).

Attachez les panneaux latéraux droit et gauche (G et H) à l'unité déjà assemblée en tournant les grands verrouillages à came (3) 1/2 tour dans le sens des aiguilles d'une montre à l'aide d'un tournevis cruciforme (non compris).



|   |  |       |
|---|--|-------|
| 2 |  | 16PCS |
| 3 |  | 18PCS |

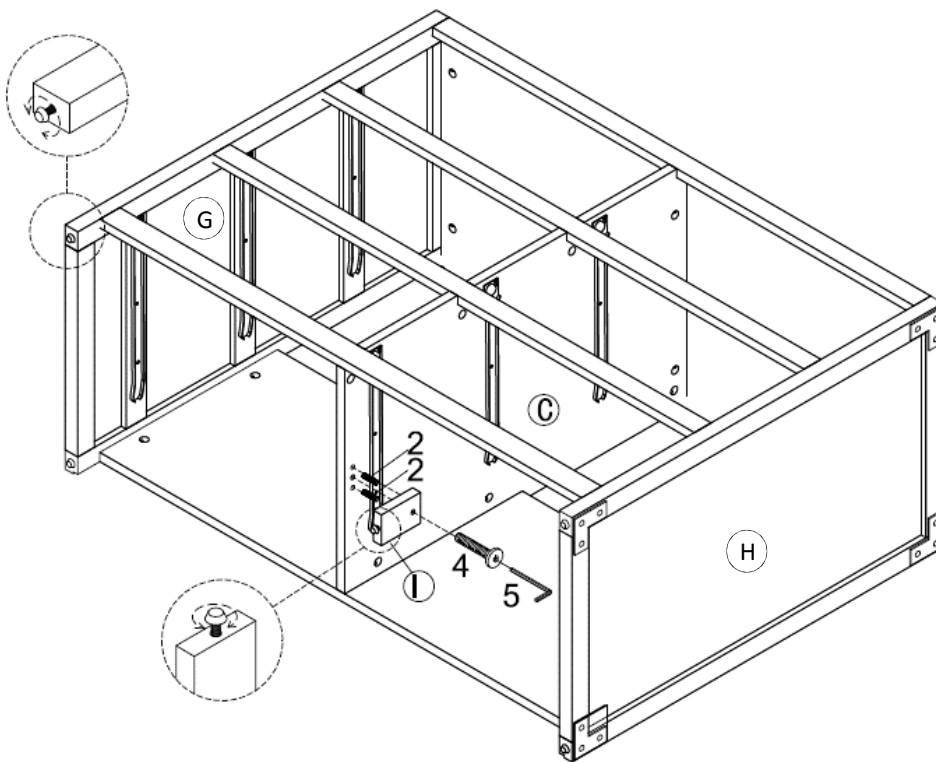
# Miles Commode 6 Tiroirs

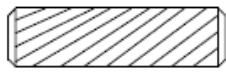
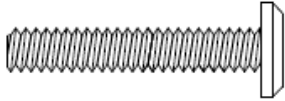

## DA7319-1BLS / DA7319-1WS

### ÉTAPE 9

Attachez le pied de support (I) au panneau central (C) avec un boulon (4) et des grands goujons de bois (2) comme illustré. Servez-vous de la clé Allen (5) pour serrer les boulons.

NOTE- Le pied de support (I) et les panneaux latéraux (G et H) sont équipés de niveleurs ajustables. Lorsque l'assemblage sera complété et le meuble placé à l'endroit désiré, tournez les niveleurs ajustables dans le sens des aiguilles d'une montre ou dans le sens contraire aux aiguilles d'une montre jusqu'à ce que le meuble soit bien appuyé sur le plancher.



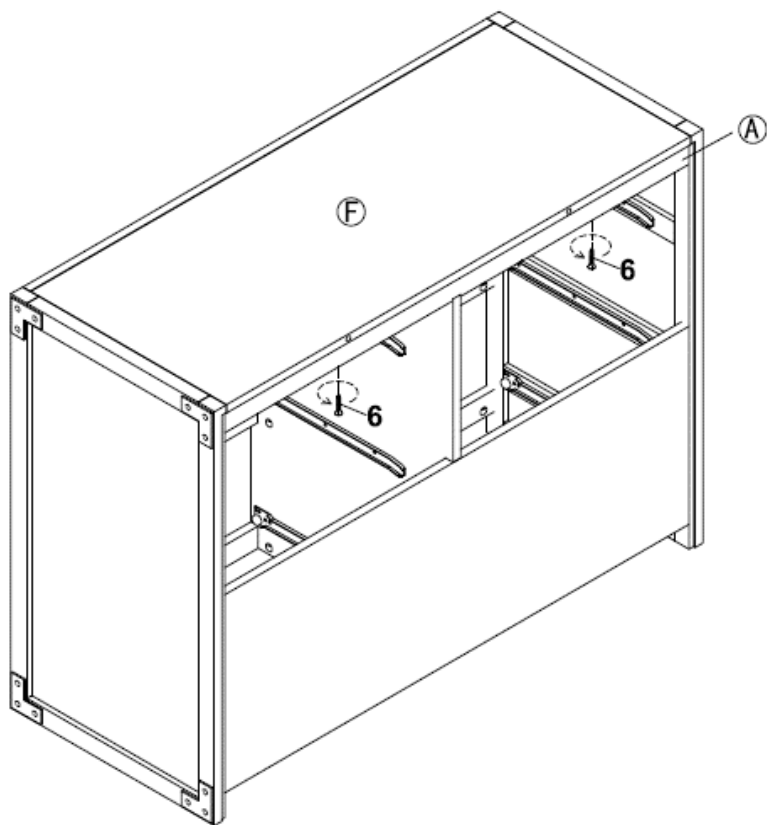
|   |   |      |
|---|---|------|
| 2 |  | 2PCS |
| 4 |  | 1PC  |
| 5 |  |      |

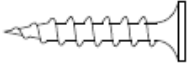
# Miles Commode 6 Tiroirs

## DA7319-1BLS / DA7319-1WS

### ÉTAPE 10

Fixez le dessus du meuble (F) à la barre supérieure arrière (A) avec vis (6) comme illustré.  
Servez-vous d'un tournevis cruciforme (non compris) pour serrer les vis.



|   |   |      |
|---|---|------|
| 6 |  | 2PCS |
|---|---|------|

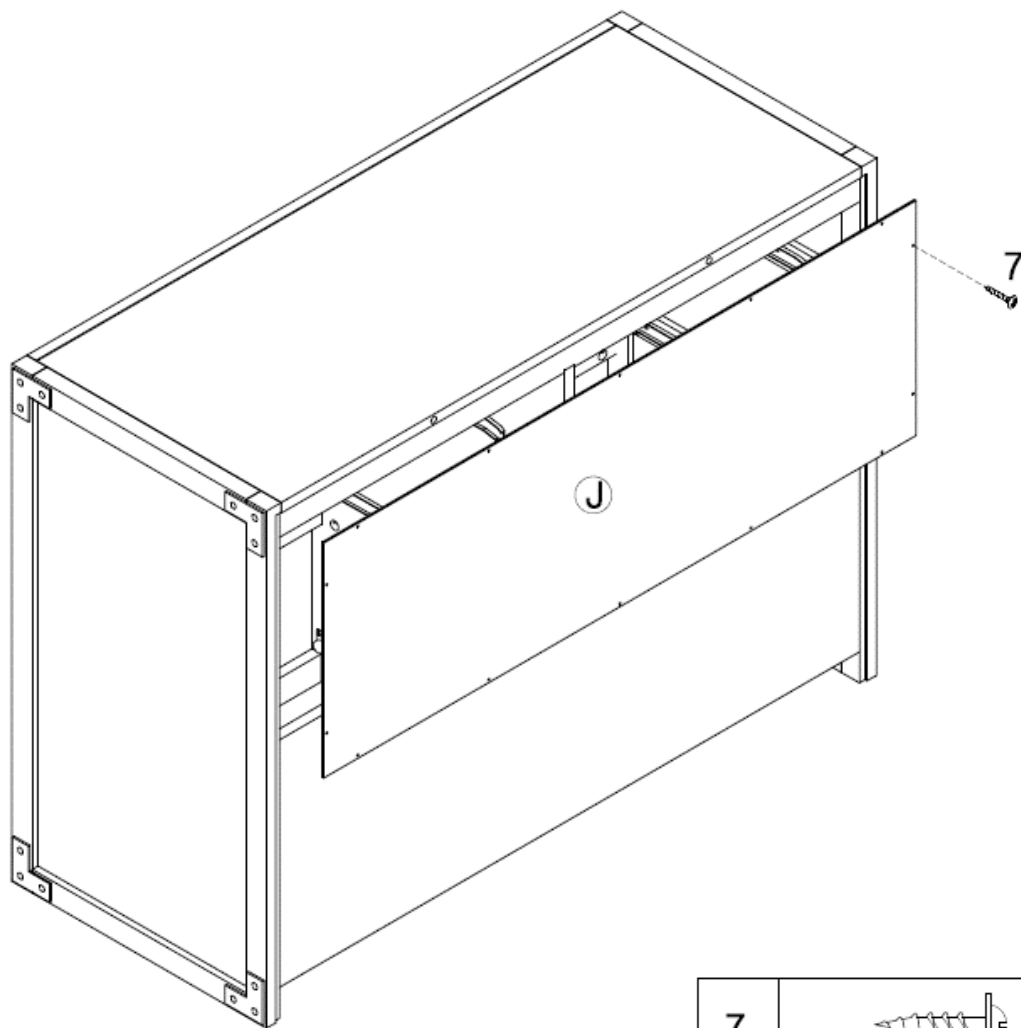


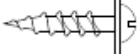
# Miles Commode 6 Tiroirs

## DA7319-1BLS / DA7319-1WS

### ÉTAPE 11

Attachez le panneau postérieur supérieur (J) à l'unité assemblée avec des vis (7).  
Servez-vous d'un tournevis cruciforme (non compris) pour serrer les vis.



|   |   |       |
|---|---|-------|
| 7 |  | 14PCS |
|---|---|-------|

# Miles Commode 6 Tiroirs

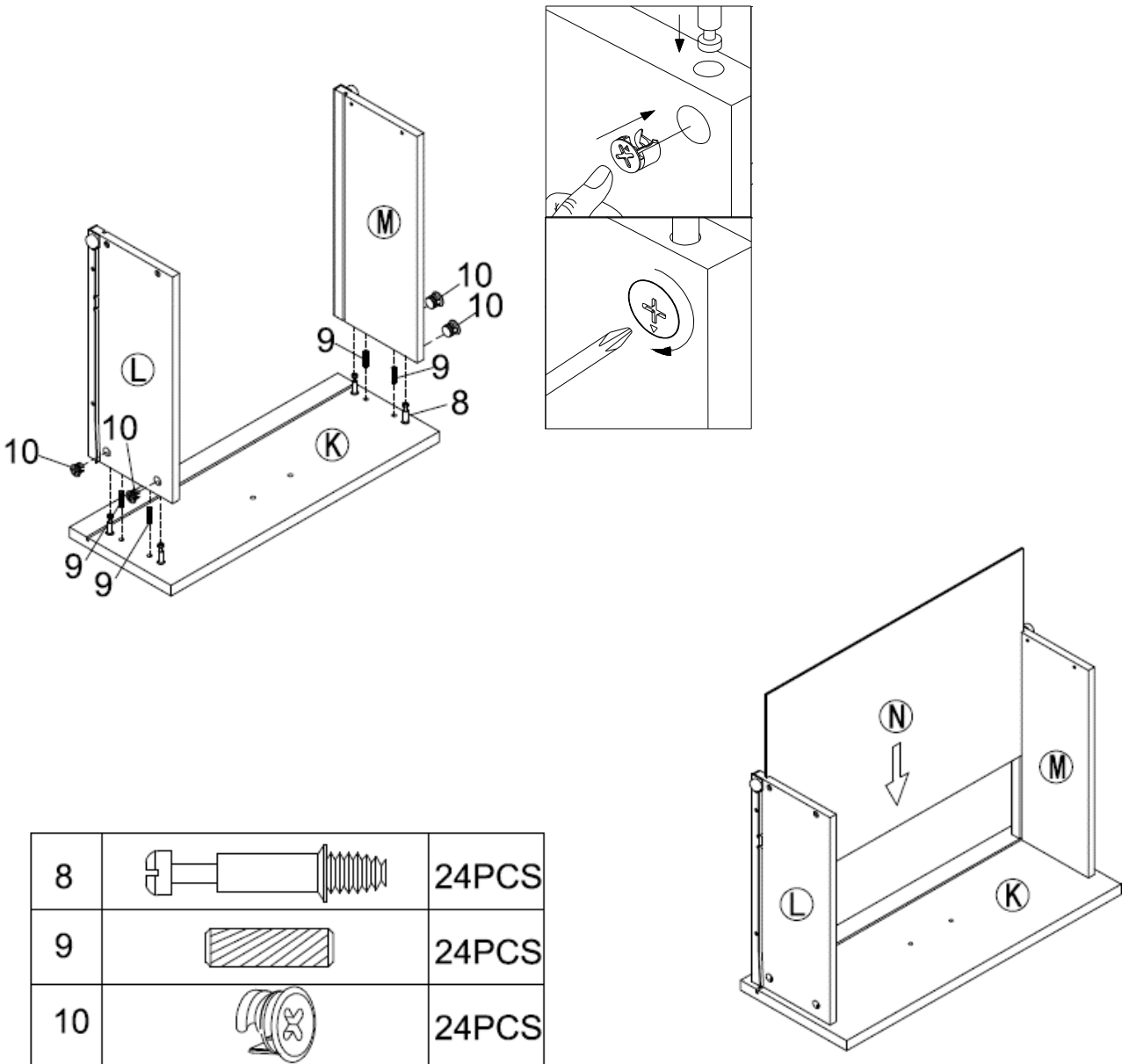
## DA7319-1BLS / DA7319-1WS

### ÉTAPE 12

Insérez des petits boulons à came (8) et des petits goujons de bois (9) dans le devant tiroir (K). Insérez des petits verrouillages à came (10) dans les côtés tiroir gauche et droit (L et M).

Attachez les côtés tiroir gauche et droit (L et M) au devant tiroir (K) et fixez les côtés du tiroir en tournant les petits verrouillages à came (10) 1/2 tour dans le sens des aiguilles d'une montre à l'aide d'un tournevis cruciforme (non compris).

Glissez le fond de tiroir (N) dans les rainures des côtés gauche et droit du tiroir (L et M) et du le devant tiroir (K).



# Miles Commode 6 Tiroirs

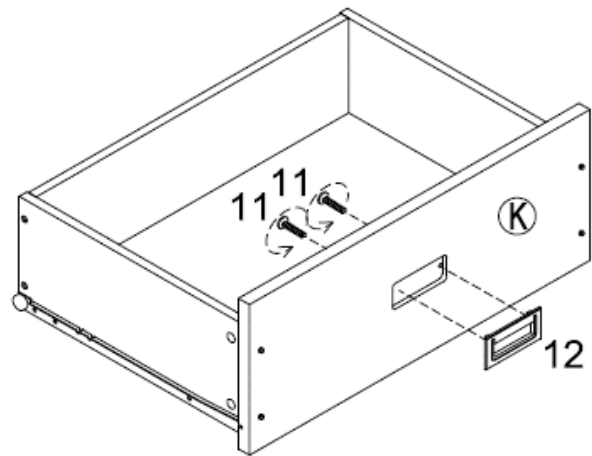
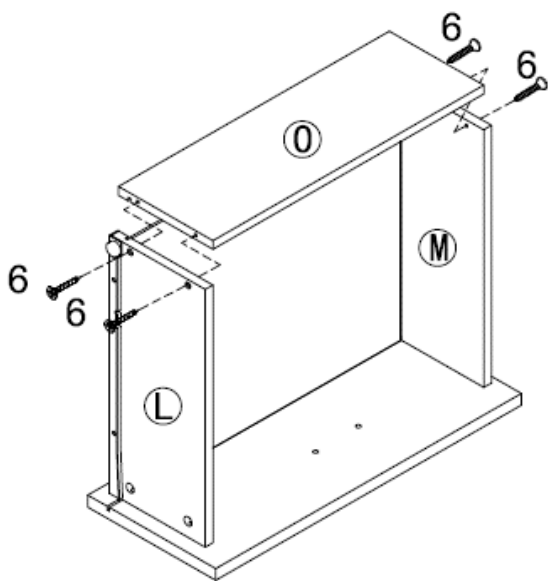
## DA7319-1BLS / DA7319-1WS

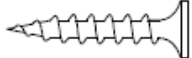

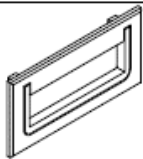
### ÉTAPE 13

Attachez le côté arrière tiroir (O) aux côtés tiroir gauche et droit (L et M) avec des vis (6).  
Servez-vous d'un tournevis cruciforme (non compris) pour serrer les vis.

Attachez le poignée (12) au devant tiroir (K) avec un boulon (11). Servez-vous d'un tournevis cruciforme (non compris) pour serrer le boulon.

Répétez les étapes 12 et 13 pour assembler l'autre tiroirs.



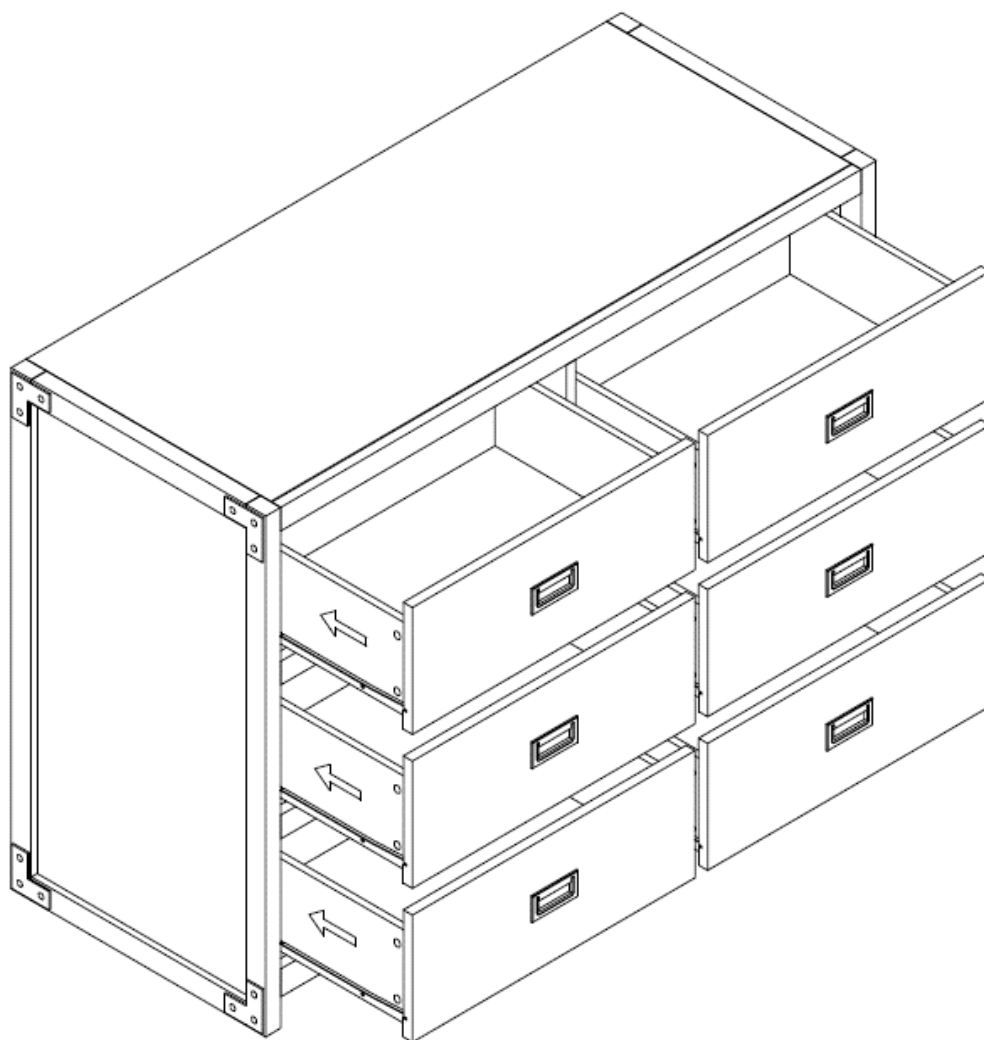
|    |   |       |
|----|---|-------|
| 6  |  | 24PCS |
| 11 |  | 12PCS |
| 12 |  | 6PCS  |

# Miles Commode 6 Tiroirs

## DA7319-1BLS / DA7319-1WS

### ÉTAPE 14

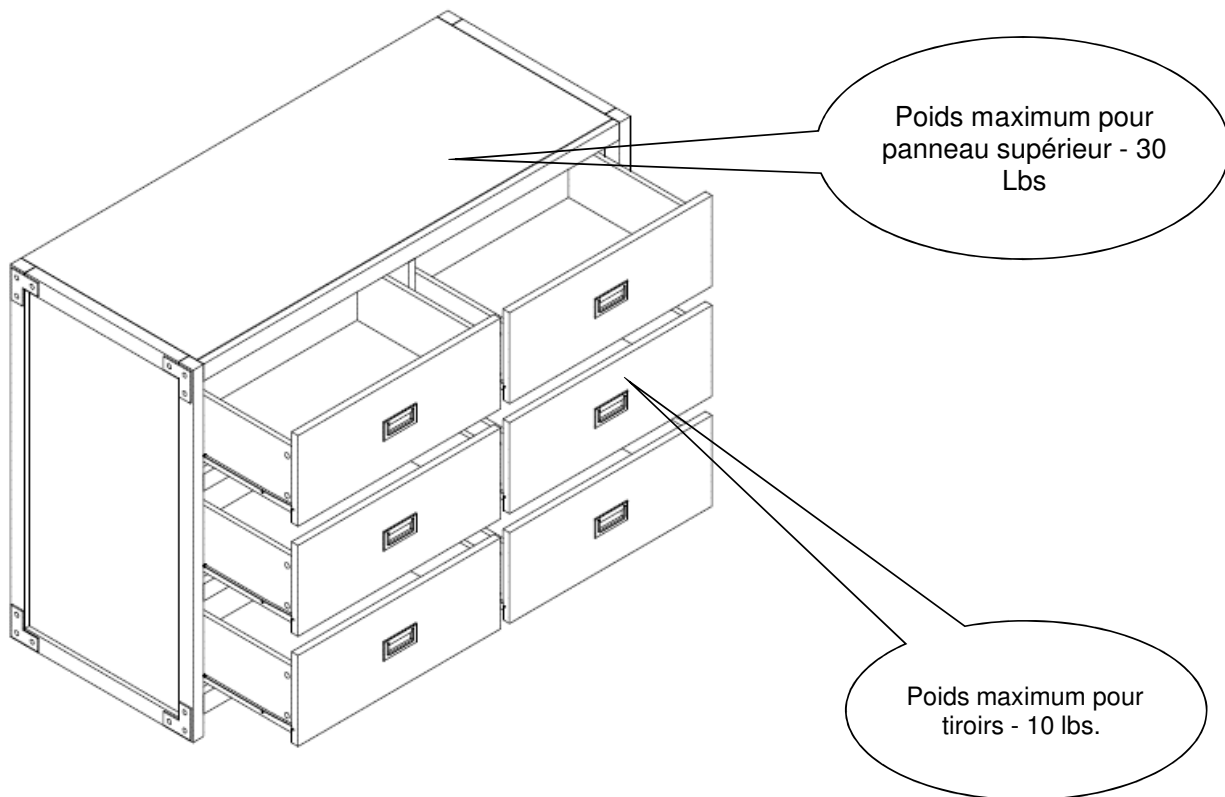
Insérez tous les tiroirs dans l'unité déjà assemblée comme illustré.



# Miles Commode 6 Tiroirs

## DA7319-1BLS / DA7319-1WS

**! ATTENTION:** Cette unité est conçue pour être utilisée seulement avec les produits et/ou les poids maximum indiqués. L'utilisation avec d'autres produits et/ou des produits plus lourds que les poids maximum indiqués peut entraîner de l'instabilité et causer des blessures.



Voilà! Vous avez terminé d'assembler votre Commode 6 Tiroirs .

**NE PAS RETOURNER LE PRODUIT AU MAGASIN.**  
Si une pièce est manquante ou endommagée, contactez  
notre Service à la clientèle. Nous remplacerons la pièce  
**GRATUITEMENT.**



Tél #: 1-800-295-1980  
Courriel: [das@dorel.com](mailto:das@dorel.com)  
Télécopieur #: 514-353-7819

## Service à la Clientèle

**S.V.P. NE PAS RETOURNER CE PRODUIT AU MAGASIN**

S.V.P. CONTACTEZ NOS REPRÉSENTANTS DU SERVICE À LA CLIENTÈLE AUX NUMÉROS SUIVANTS SI VOUS AVEZ DES PIÈCES MANQUANTES OU DÉFECTUEUSES.

No. de téléphone du Service à la clientèle: 1-800-295-1980 Courriel: [das@dorel.com](mailto:das@dorel.com)  
No. du télécopieur du Service à la clientèle: 514-353-7819

Date de la demande :

Nom :

Adresse de livraison :   
Numéro & Rue :  
Ville & Province :  
Code Postal :

No. de téléphone (jour) :   
(incluant le code régional)

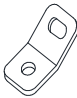



Date & Nom du Magasin :

Description & quantité de pièce(s): S.V.P. ne pas oublier le numéro de modèle ou de SKU)

Adresse postale du Service à la clientèle :

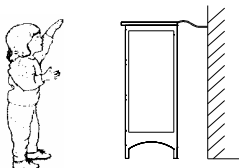
Département du Service à la clientèle No. 413, 12345, boul. Albert-Hudon, Suite 100, Montréal, QC, H1G 3L1

# Sangle de sécurité pour ancrer le meuble au mur

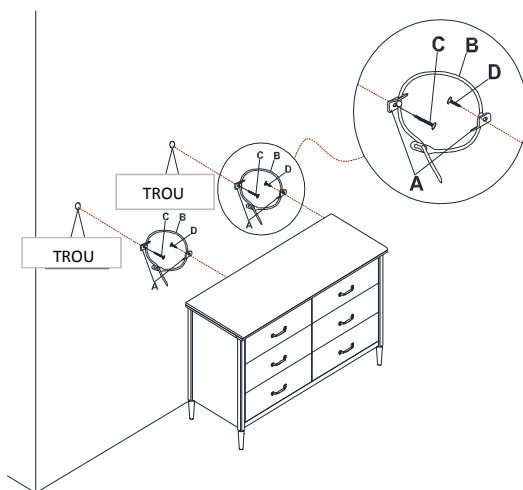
|   |   |   |   |
|---|---|---|---|
| <b>A</b><br> | <b>B</b><br> | <b>C</b><br> | <b>D</b><br> |
| <b>CROCHET DE MÉTAL</b><br><b>4 PCES</b>  | <b>SANGLE DE SÉCURITÉ</b><br><b>POUR LE MUR</b><br><b>2 PCES</b>                              | <b>VIS LONGUE</b><br><b>2 PCES</b>  | <b>VIS COURTE</b><br><b>2 PCES</b>  |

**OUTILS NÉCESSAIRES: LE MAILLET EN CAOUTCHOUC ET LE TOURNEVIS PHILLIPS NE SONT PAS NOTE: LA MÈCHE DE 5/16" ET LA PERCEUSE ÉLECTRIQUE NE SONT PAS FOURNIES.**

**⚠ AVERTISSEMENT: LORSQUE DEBOUT, IL EST POSSIBLE QUE LE MEUBLE PUISSE BASCULER. VEUILLEZ INSTALLER LA SANGLE DE SÉCURITÉ POUR LE MUR DERRIÈRE LE MEUBLE POUR EN ASSURER DE LA SÉCURITÉ.**



**VEUILLEZ LIRE TOUTES LES INSTRUCTIONS AVEC ATTENTION AVANT D'UTILISER CE PRODUIT ET VEUILLEZ LES GARDER POUR R ÉFÉRENCE FUTURE. SI VOUS AVEZ DES QUESTIONS, VEUILLEZ APPELER NOTRE NUMÉRO DE SERVICE AUX CLIENTS : 1-800-295-1980.**



**ÉTAPE 1: À L'AIDE DE LA VIS COURTE (D), FIXEZ FERMEMENT UN CROCHET DE MÉTAL (A) À LA BARRE TRANSVERSALE SUPÉRIEURE POSTÉRIEURE DU MEUBLE, À TRAVERS LE TROU LE PLUS PETIT.**

**ÉTAPE 2: À L'AIDE D'UN ANCRAGE, PLACEZ L'AUTRE CROCHET DE MÉTAL (A) SUR LE MUR 2 POUCES EN-DESSOUS DU CROCHET DÉJÀ FIXÉ À LA PARTIE POSTÉRIEURE DU MEUBLE. FIXEZ À L'ENCRAGE DU MUR À L'AIDE DE LA VIS LONGUE (C), À TRAVERS LE TROU LE PLUS PETIT.**

**ÉTAPE 3: PLACEZ LE MEUBLE DANS SA POSITION DE FAÇON À VOUS ASSURER QUE LES DEUX CROCHETS SOIENT ALIGNÉS VERTICALEMENT. LACEZ LE BOUT DE LA SANGLE DE SÉCURITÉ (B) À TRAVERS DU TROU LE PLUS GRAND DE CHAQUE CROCHET (A). RAMENEZ LES DEUX BOUTS ENSEMBLE ET GLISSEZ LE BOUT PLAT À TRAVERS L'EXTRÉMITÉ DE FIXATION JUSQU'À CE QU'ELLE SOIT BIEN SERRÉE.**

**ÉTAPE 4: ASSUREZ-VOUS QUE LA SANGLE SOIT BIEN LACÉE ET SERRÉE.**

**POUR DÉPLACER LE MEUBLE APRÈS AVOIR INSTALLÉ LA SANGLE AU MUR, SIMPLEMENT RETIREZ LA VIS (A) DU MUR POUR DESSERRER LE SANGLE DE SÛRETÉ.**