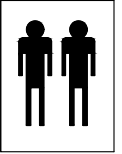
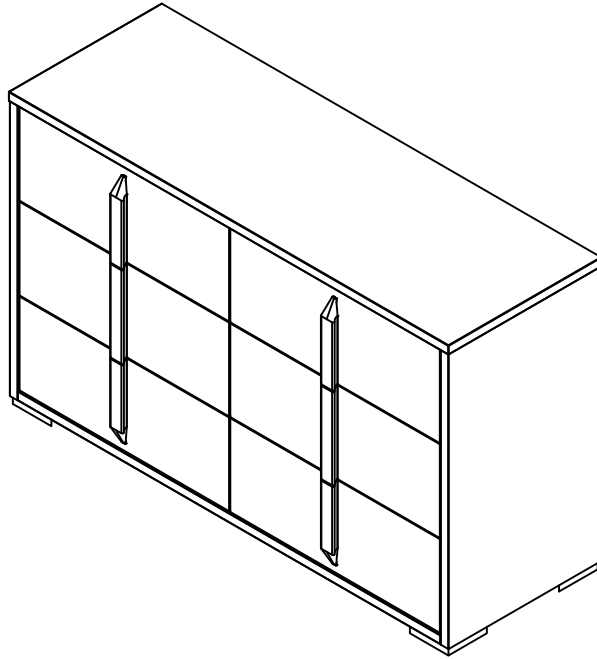
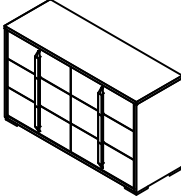


PARK PEAK 6 DRAWER DRESSER



Anti Tip
Hardware
included

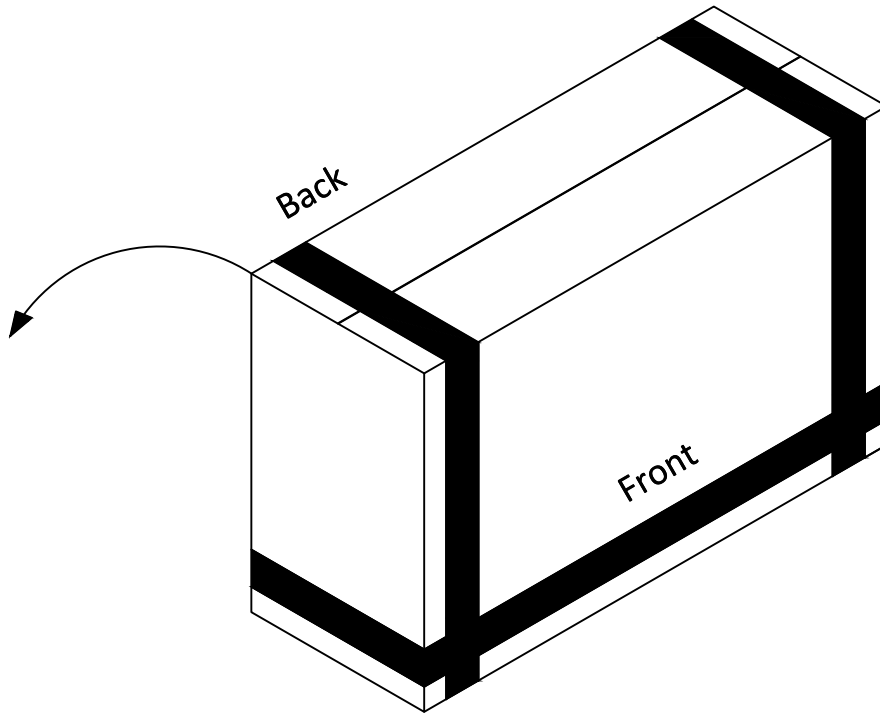
FIBI

34174300 (WHITE) - STYLE: 7430			
34174312 (METALLIC OSAGE)- STYLE: 7431			
NO.	Item description	IMAGE	QTY
1	6 DRAWER DRESSER		1

DO NOT SUBSTITUTE PARTS. PLEASE CONTACT
YOUR RETAIL STORE OR WWW.ROOMSTOGO.COM
WITH SERVICE OR PARTS REPLACEMENT.

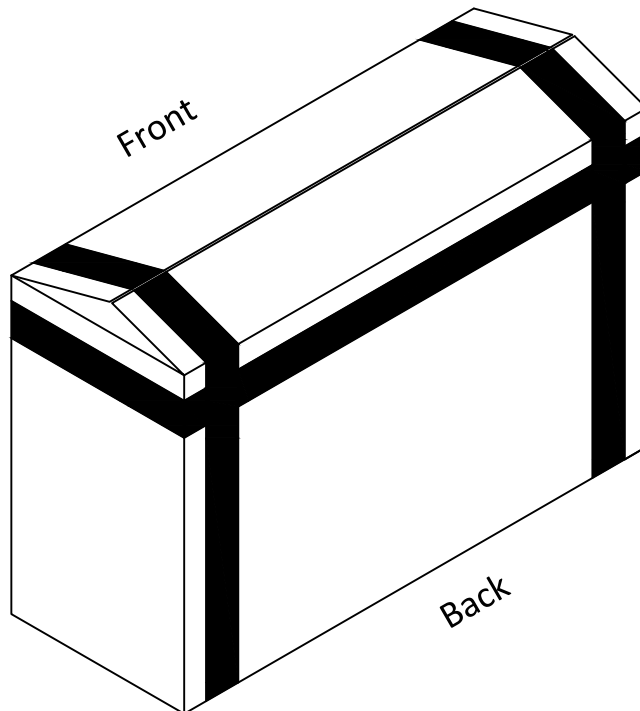
Assembly Instructions

1 Rotate 90° twice counter-clockwise



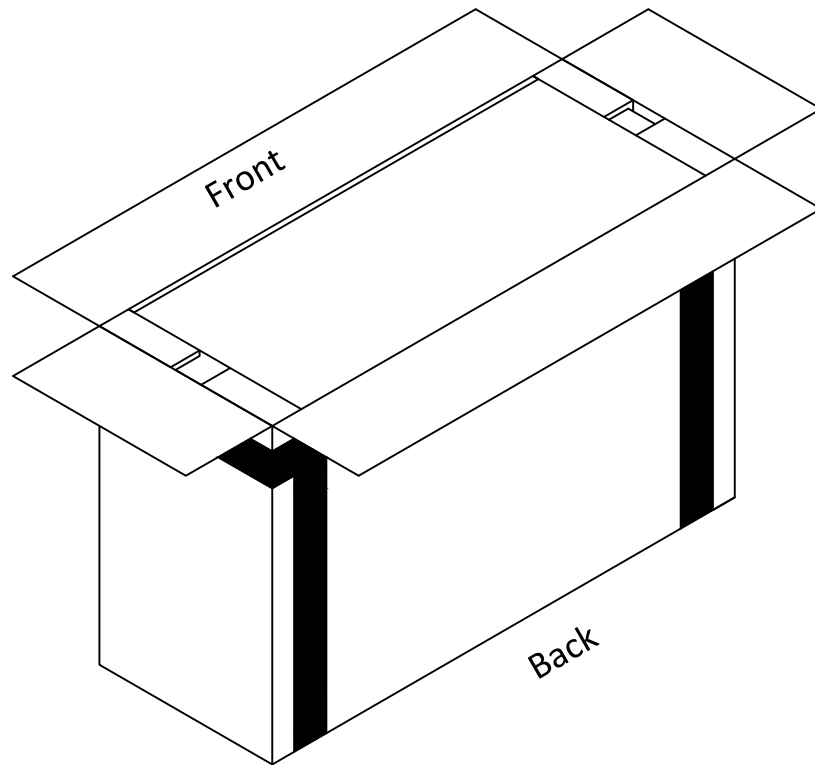
2 Open the carton using a cutter

Cutter
not
included

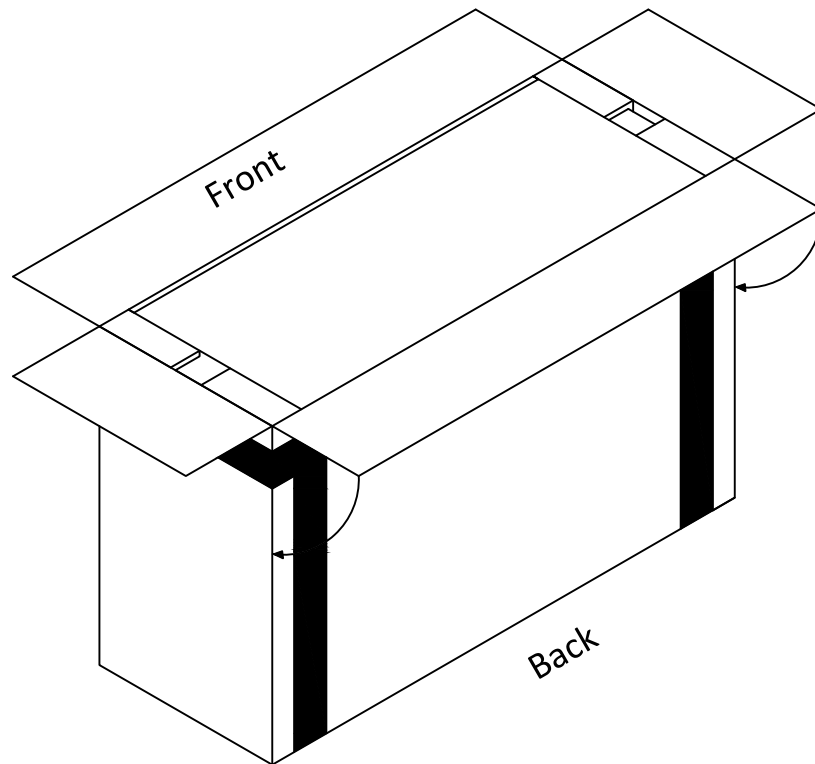


Assembly Instructions

3 Open the carton fold

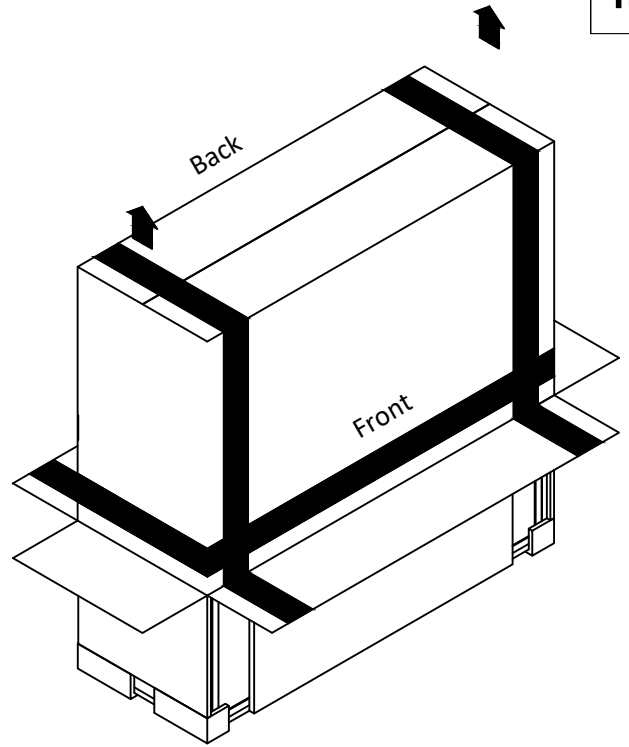
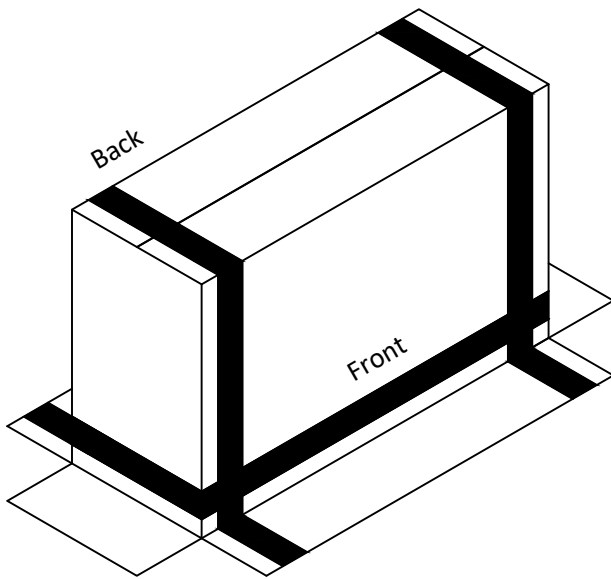


4 Rotate 90° twice -clockwise

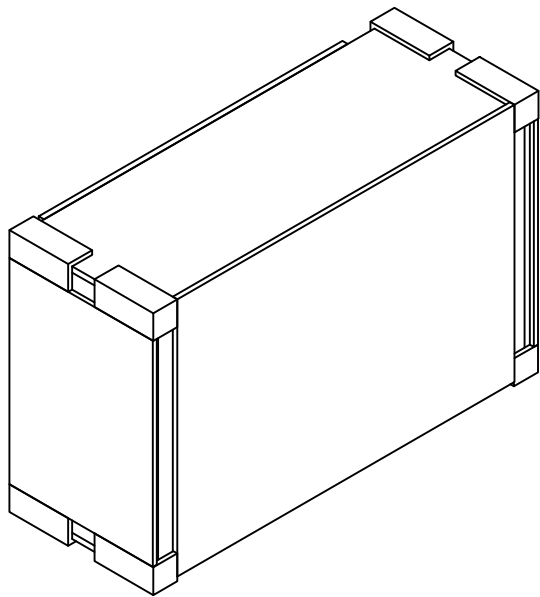


Assembly Instructions

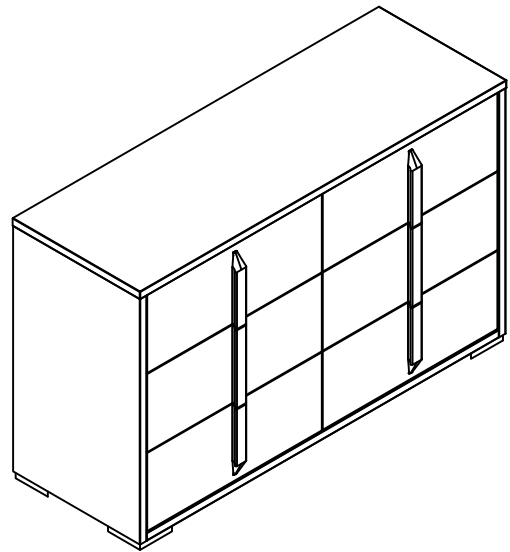
5 Lift the carton off



6 Remove all the packaging

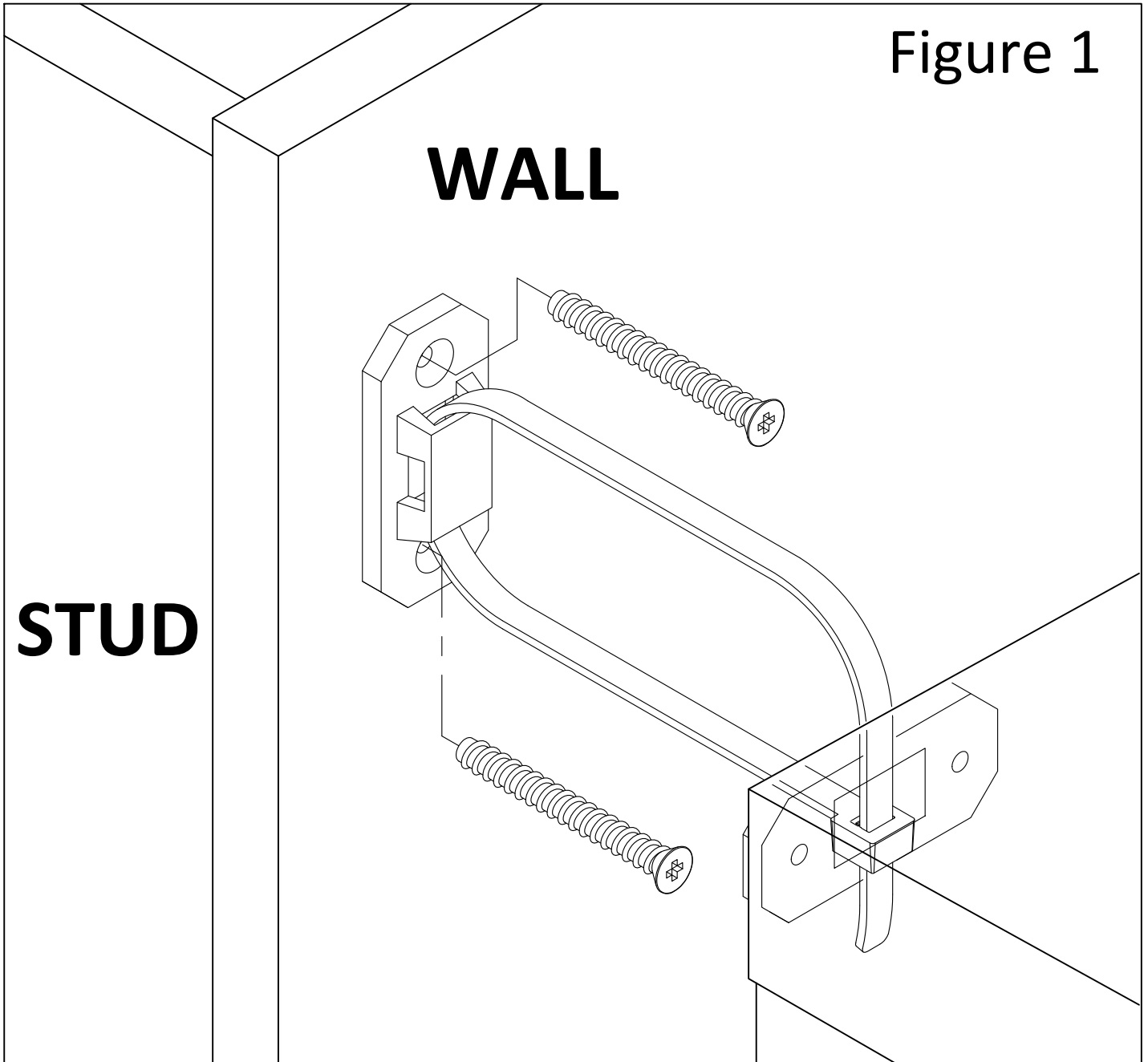


7 Dresser ready to work



Assembly Instructions

- 8 Determine desired location of furniture piece. Find wall stud behind furniture piece and position one bracket vertically on the stud approximately 1" below the top of furniture piece. Mark and drill pilot hole in the center of the stud with a 3/32" drill bit. Attach bracket to stud with the two 1 1/4" screws. (Figure 1)



Assembly Instructions

- 9 The second bracket will need to be attached horizontally to the top of furniture frame. Temporarily move furniture away from wall and place a bracket near top of frame. Mark and drill holes for screws with a 3/32" drill bit. Attach bracket to furniture piece with the two 3/4" screws. (Figure 2)

Move furniture piece into its final position, taking care to line up the wall bracket with furniture bracket. Thread the strap through the brackets as shown in the illustrations. Tighten strap until snug. Note: Do not overtighten.

