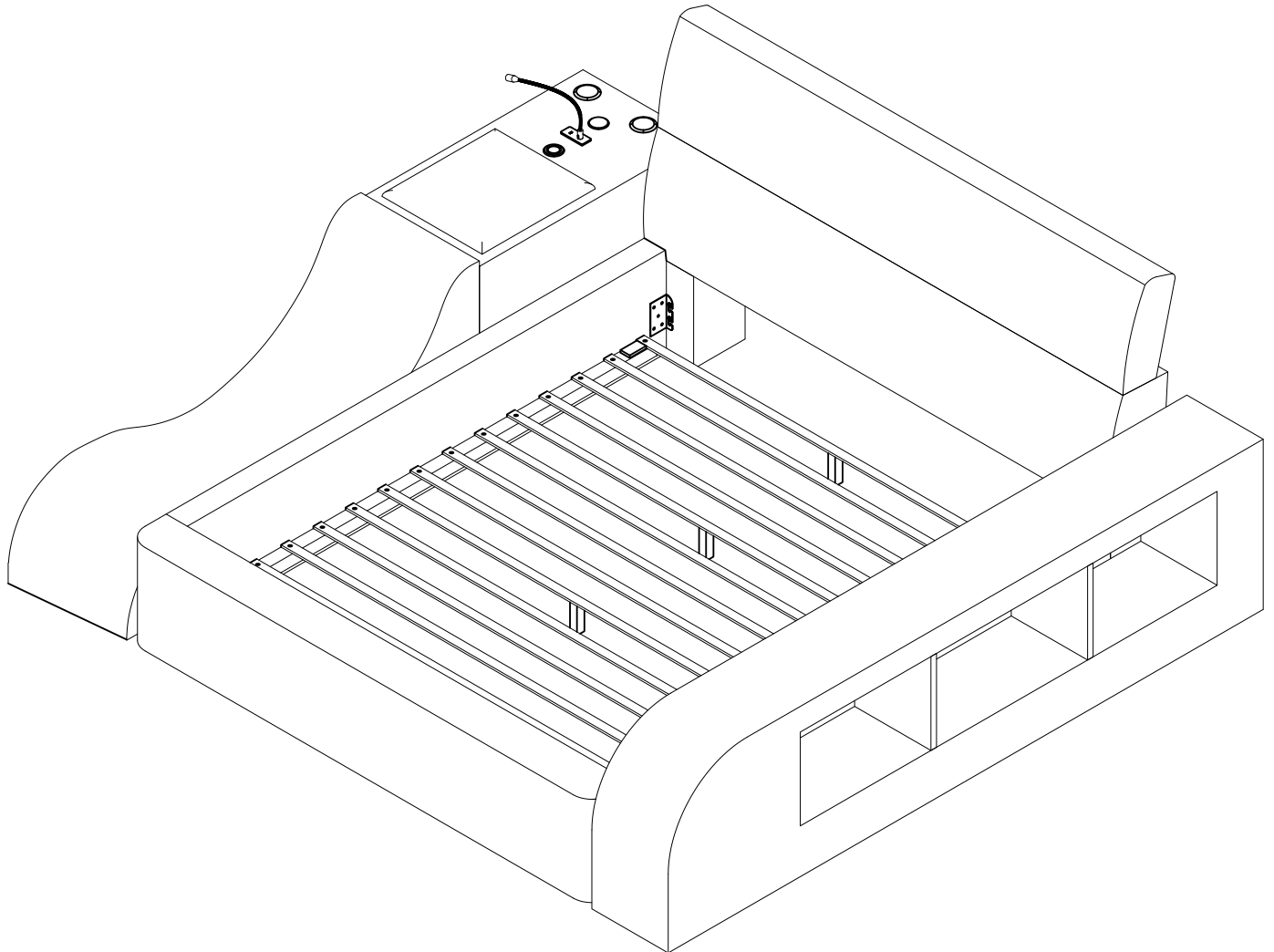


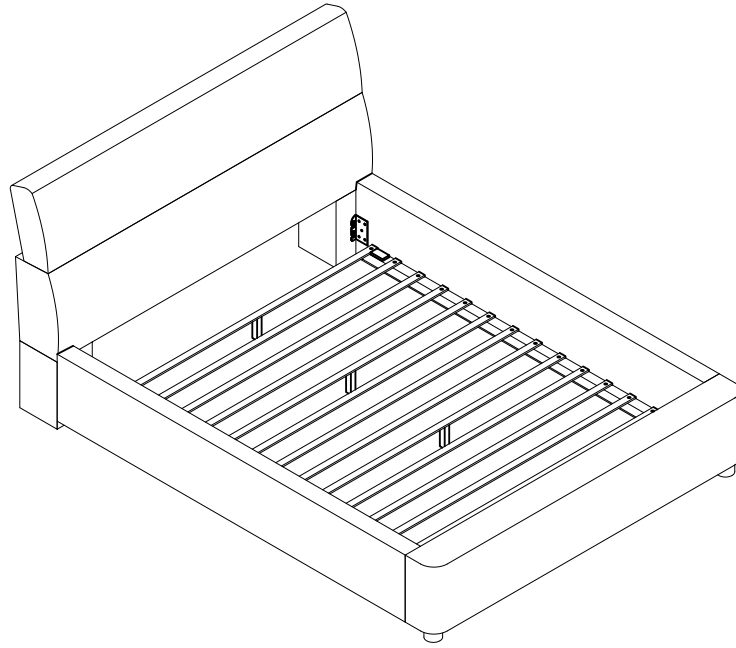
# RECHARGED FULL BED WITH NIGHTSTAND, LOUNGER AND SIDE BOOKCASE



This product is manufactured by HOUS for **ROOMS TO GO | KIDS™**

DO NOT USE SUBSTITUTE PARTS. PLEASE CONTACT YOUR RETAIL STORE OR [www.roomstogo.com](http://www.roomstogo.com)  
WITH SERVICE OR PARTS REPLACEMENT REQUEST

# RECHARGED FULL BED






## 3419290P - FULL BED - WHITE

SKU#	ITEM#	ITEM DESCRIPTION
34892908	9290-23H	Full Headboard with Finished Back
34992900	9290-23FR	Full Footboard/ Rails/ Slats

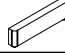



## 3419291P - FULL BED - GREY

SKU#	ITEM#	ITEM DESCRIPTION
34892910	9291-23H	Full Headboard with Finished Back
34992912	9291-23FR	Full Footboard/ Rails/ Slats

### FULL HEADBOARD PARTS LISTS

CODE	DESCRIPTION	PARTS	Q.TY
A	Headboard		1PC
B	Left headboard leg		1PC
C	Right headboard leg		1PC



### FULL FOOTBOARD/ RAILS/ SLATS PARTS LISTS

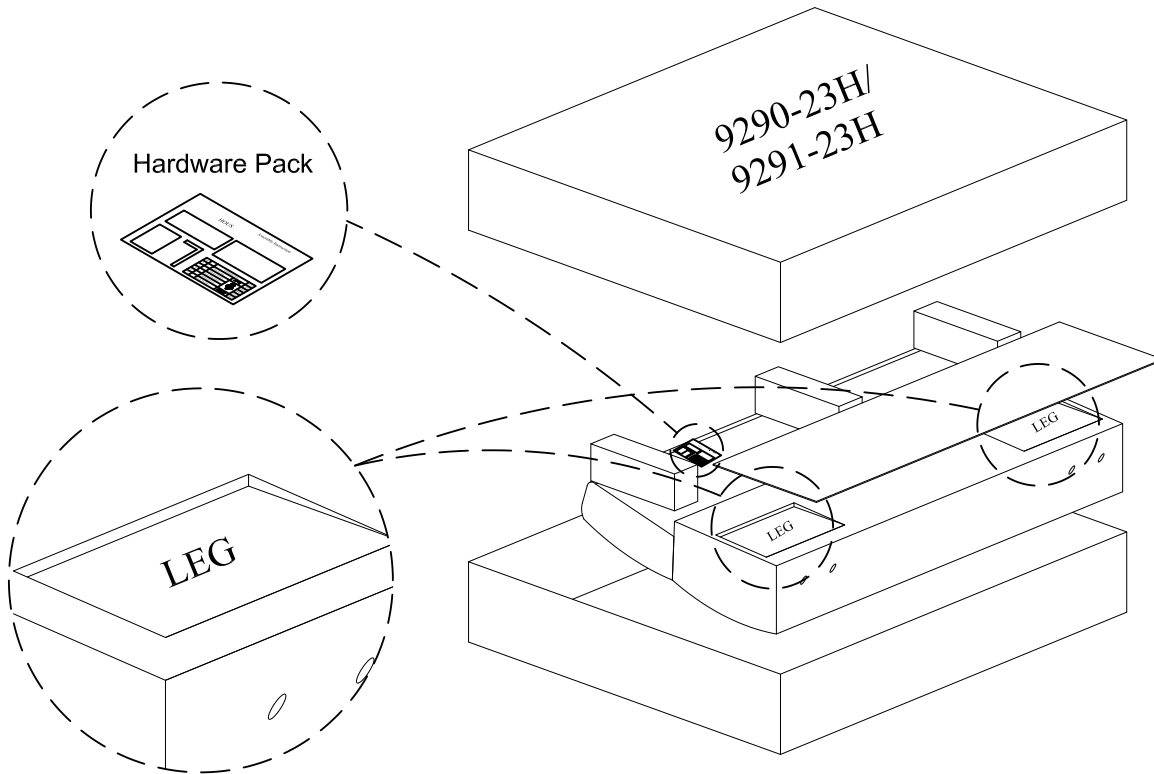
CODE	DESCRIPTION	PARTS	Q.TY
D	Footboard		1PC
E	Side bed rail		2PCS
F	Straight slat		1PC
G	Support leg		4PCS

This product is manufactured by HOUS for **ROOMS TO GO | KIDS™**

DO NOT USE SUBSTITUTE PARTS. PLEASE CONTACT YOUR RETAIL STORE OR [www.roomstogo.com](http://www.roomstogo.com)  
WITH SERVICE OR PARTS REPLACEMENT REQUEST

# RECHARGED FULL HEADBOARD WITH FINISHED BACK

FULL HEADBOARD HARDWARE LISTS			Q.TY
1	Allen Key 75x25x4mm		1PC
2	Allen Bolt Ø5/16"x35x2"L		4PCS
	Lock Washer Ø5/16"		4PCS
	Flat Washer Ø5/16"x22mm		4PCS





**Hardware Pack Location(s):**

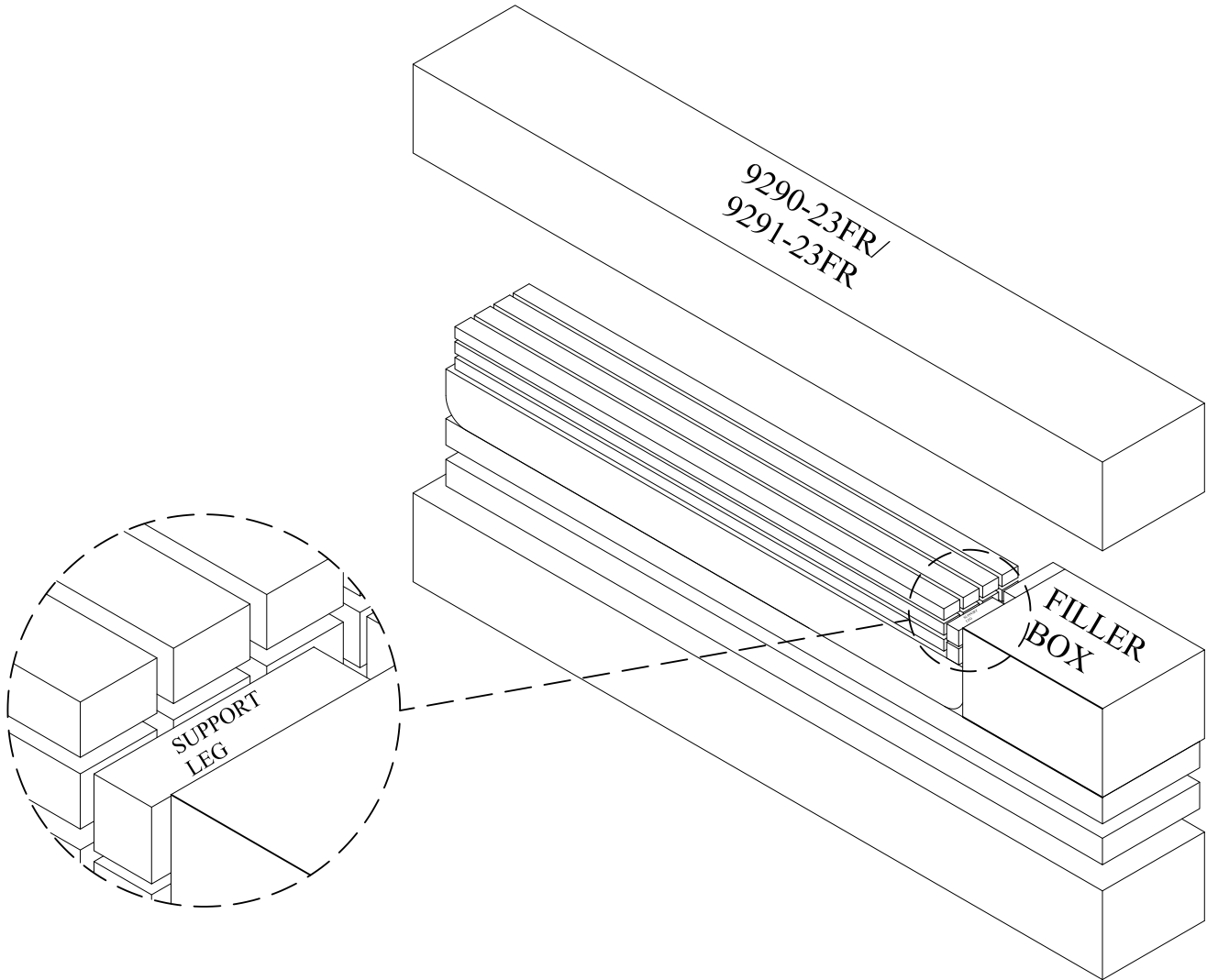
9290-23H	4/6	Headboard	SKU# 34892908
9291-23H	4/6	Headboard	SKU# 34892910

This product is manufactured by HOUS for **ROOMS TO GO | KIDS™**

DO NOT USE SUBSTITUTE PARTS. PLEASE CONTACT YOUR RETAIL STORE OR [www.roomstogo.com](http://www.roomstogo.com)  
WITH SERVICE OR PARTS REPLACEMENT REQUEST

# RECHARGED FULL FOOTBOARD/ RAILS /SLATS

FULL FOOTBOARD/ RAILS/ SLATS HARDWARE LISTS			Q.TY
3	Screw #8x32mm		26PCS
4	Phillips Screwdriver (Not Provided)		1PC



### Hardware Pack Location(s):

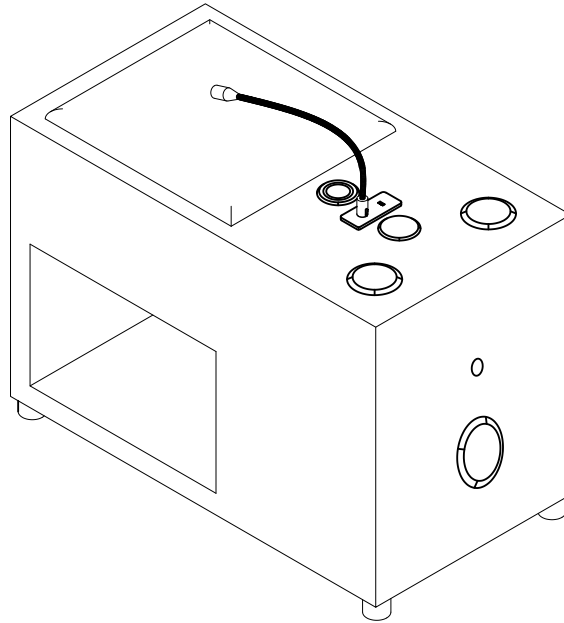
9290-23H 4/6 Headboard SKU# 34892908  
 9291-23H 4/6 Headboard SKU# 34892910

**SCREWS ARE IN HEADBOARD'S HARDWARE PACK**

This product is manufactured by HOUS for **ROOMS TO GO | KIDS™**

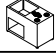
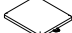


DO NOT USE SUBSTITUTE PARTS. PLEASE CONTACT YOUR RETAIL STORE OR [www.roomstogo.com](http://www.roomstogo.com)  
 WITH SERVICE OR PARTS REPLACEMENT REQUEST

# RECHARGED NIGHTSTAND W/SPEAKER, USB-A, QI CHARGER & LED LIGHT



NIGHTSTAND - WHITE		
SKU#	ITEM#	ITEM DESCRIPTION
35192905	9290-20N	Nightstand w/ Speaker, USB-A, Qi Charger & LED light

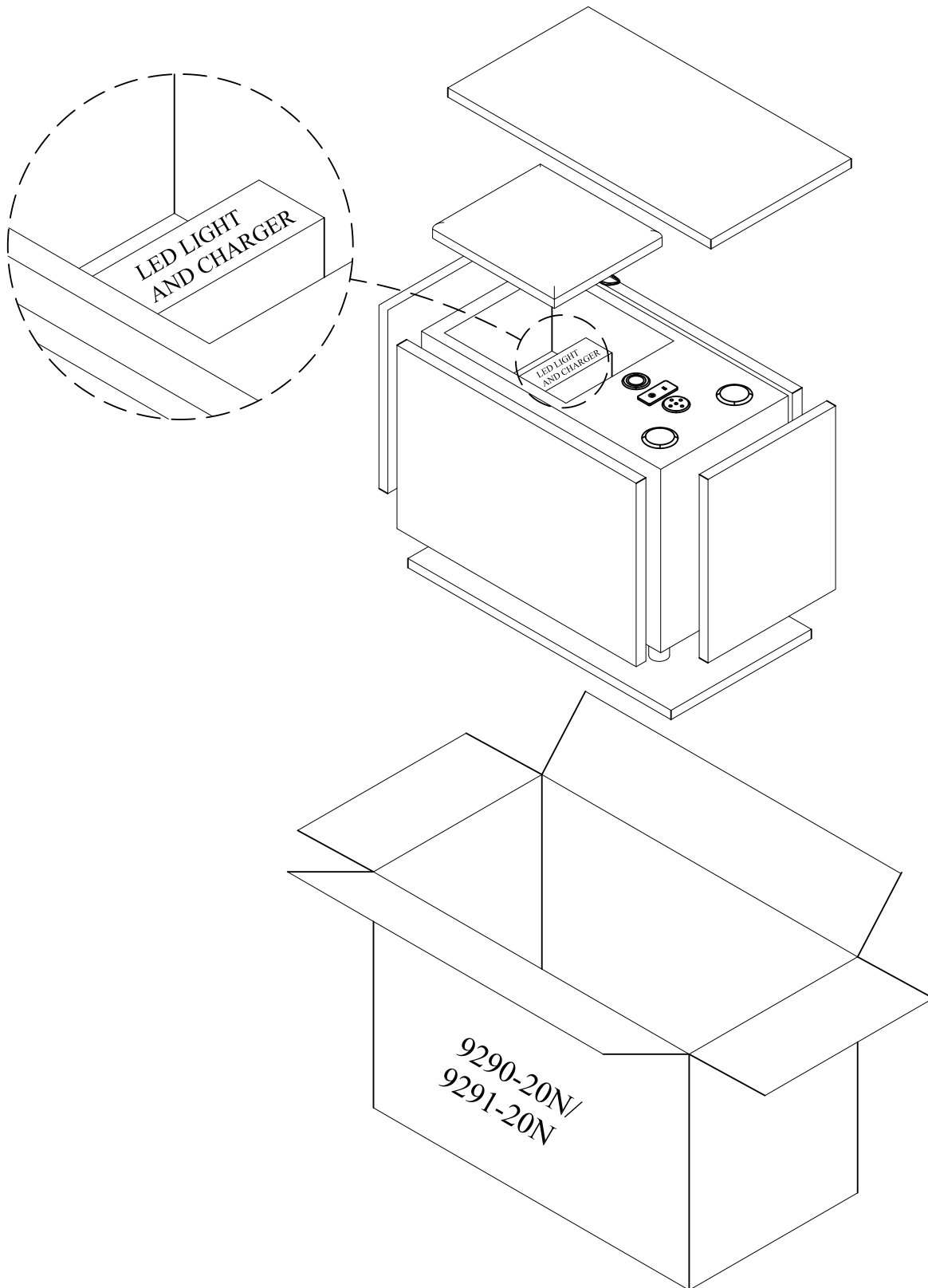
NIGHTSTAND - GREY		
SKU#	ITEM#	ITEM DESCRIPTION
35192917	9291-20N	Nightstand w/ Speaker, USB-A, Qi Charger & LED light

NIGHTSTAND PARTS LISTS			
CODE	DESCRIPTION	PARTS	Q.TY
A	Speaker		1PC
B	Seat		1PC
C	Led Light		1PC
D	Charger cord		1PC

This product is manufactured by HOUS for **ROOMS TO GO | KIDS™**

DO NOT USE SUBSTITUTE PARTS. PLEASE CONTACT YOUR RETAIL STORE OR [www.roomstogo.com](http://www.roomstogo.com)  
WITH SERVICE OR PARTS REPLACEMENT REQUEST

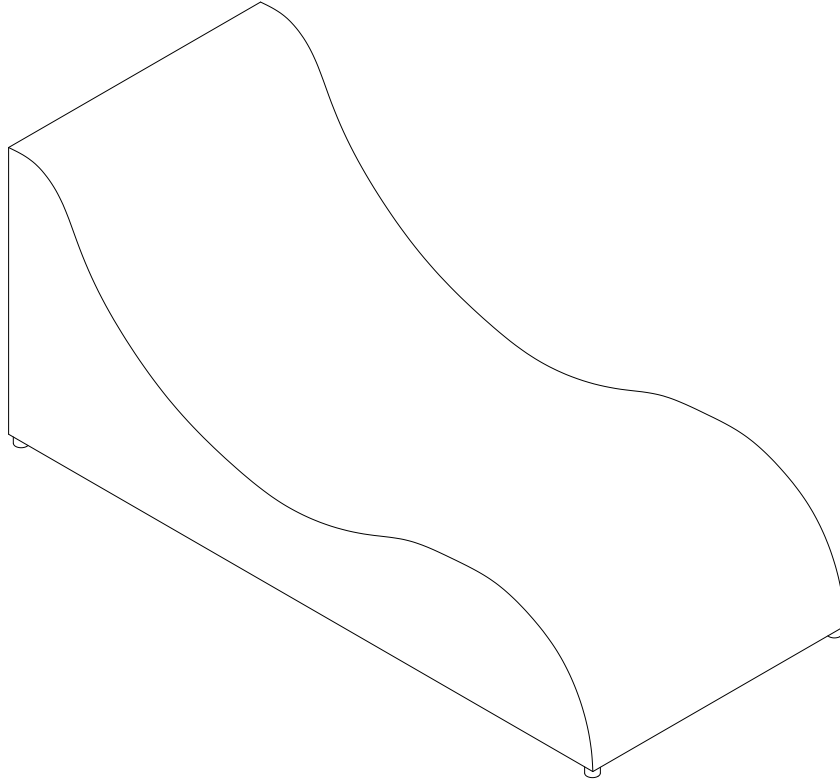
# RECHARGED NIGHTSTAND W/SPEAKER, USB-A, QI CHARGER & LED LIGHT



This product is manufactured by HOUS for **ROOMS TO GO | KIDS™**

DO NOT USE SUBSTITUTE PARTS. PLEASE CONTACT YOUR RETAIL STORE OR [www.roomstogo.com](http://www.roomstogo.com)  
WITH SERVICE OR PARTS REPLACEMENT REQUEST

# RECHARGED LOUNGER CHAIR



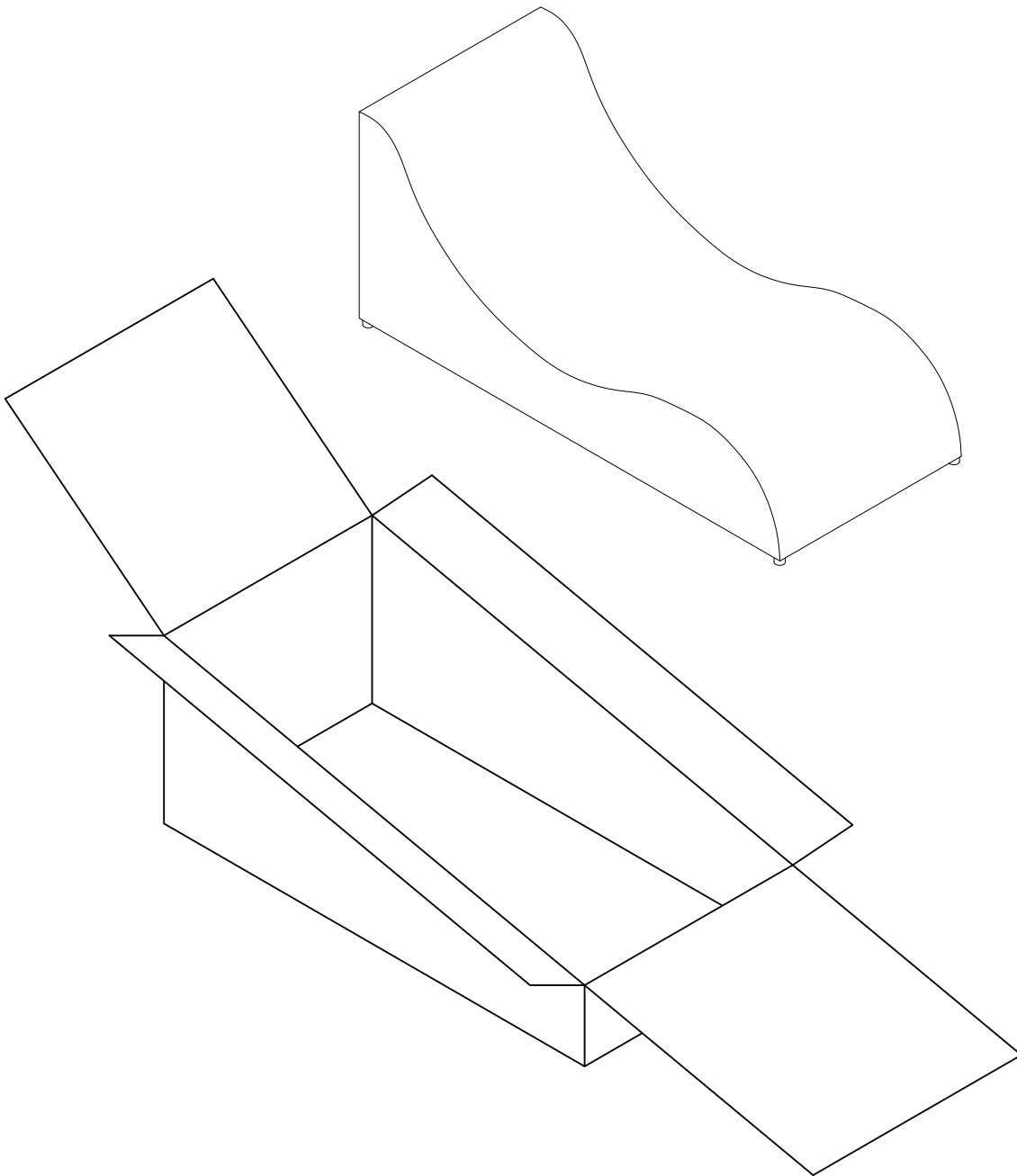
LOUNGER CHAIR - WHITE		
SKU#	ITEM#	ITEM DESCRIPTION
35292907	9290-24N	Lounger Chair

LOUNGER CHAIR - GREY		
SKU#	ITEM#	ITEM DESCRIPTION
35292919	9291-24N	Lounger Chair

This product is manufactured by HOUS for **ROOMS TO GO | KIDS™**

DO NOT USE SUBSTITUTE PARTS. PLEASE CONTACT YOUR RETAIL STORE OR [www.roomstogo.com](http://www.roomstogo.com)  
WITH SERVICE OR PARTS REPLACEMENT REQUEST

# RECHARGED LOUNGER CHAIR

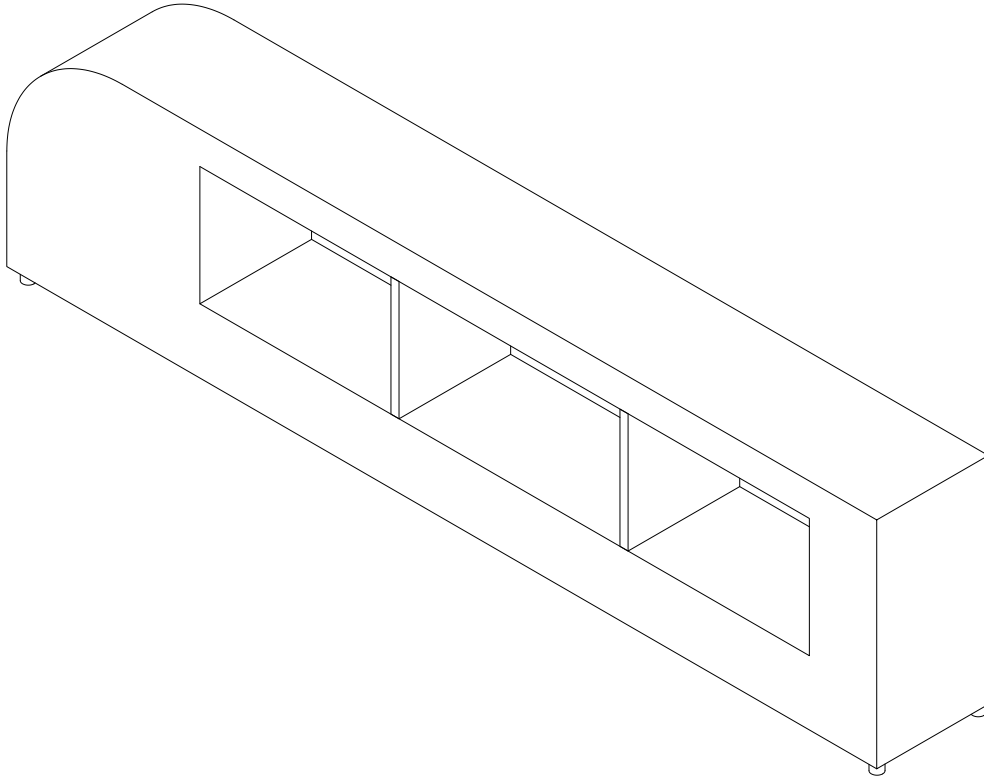


This product is manufactured by HOUS for **ROOMS TO GO | KIDS™**

DO NOT USE SUBSTITUTE PARTS. PLEASE CONTACT YOUR RETAIL STORE OR [www.roomstogo.com](http://www.roomstogo.com)  
WITH SERVICE OR PARTS REPLACEMENT REQUEST



# RECHARGED BOOKCASE



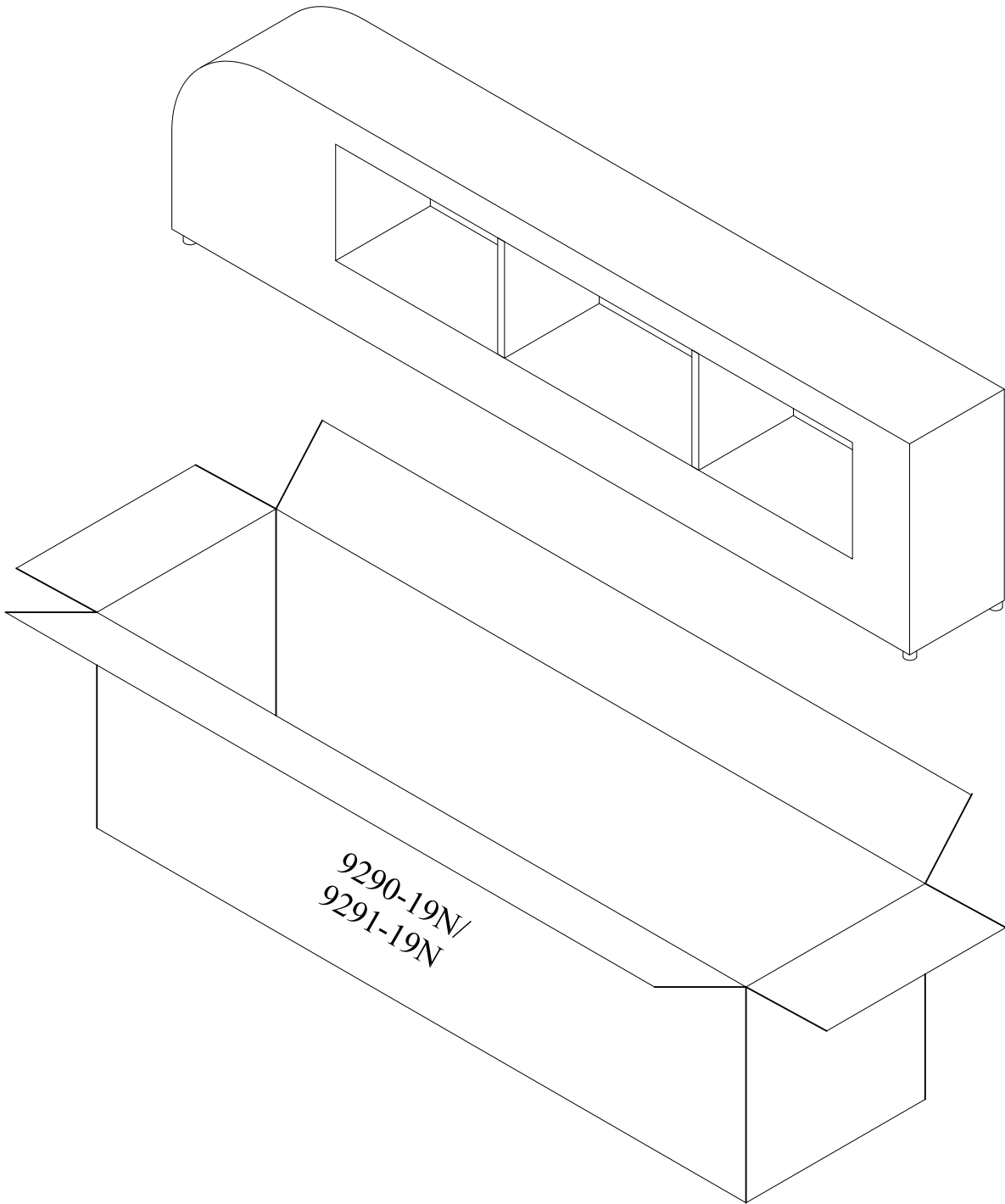
BOOKCASE - WHITE		
SKU#	ITEM#	ITEM DESCRIPTION
35092903	9290-19N	Bookcase

BOOKCASE - GREY		
SKU#	ITEM#	ITEM DESCRIPTION
35092915	9291-19N	Bookcase

This product is manufactured by HOUS for **ROOMS TO GO | KIDS™**

DO NOT USE SUBSTITUTE PARTS. PLEASE CONTACT YOUR RETAIL STORE OR [www.roomstogo.com](http://www.roomstogo.com)  
WITH SERVICE OR PARTS REPLACEMENT REQUEST

# RECHARGED BOOKCASE



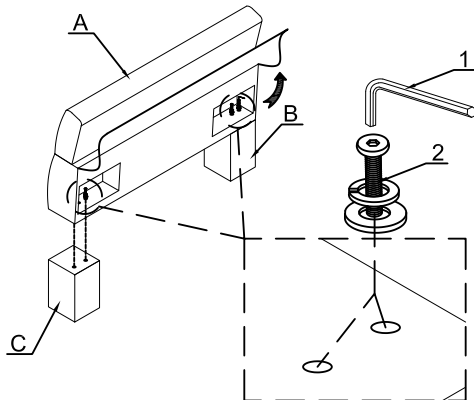
This product is manufactured by HOUS for **ROOMS TO GO | KIDS™**

DO NOT USE SUBSTITUTE PARTS. PLEASE CONTACT YOUR RETAIL STORE OR [www.roomstogo.com](http://www.roomstogo.com)  
WITH SERVICE OR PARTS REPLACEMENT REQUEST

# ASSEMBLY INSTRUCTION

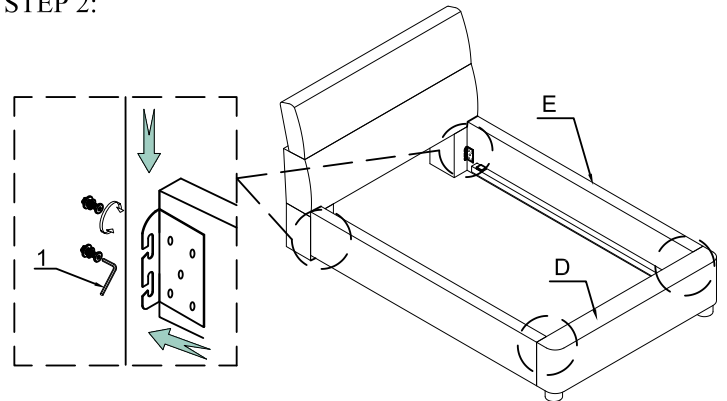
**\*\*\*Caution:** Please read all instructions carefully before starting the assembly process. These parts are cumbersome and heavy. Therefore, two people are recommended in order to prevent personal injury and ensure the parts are not damaged during the assembly.

STEP 1:



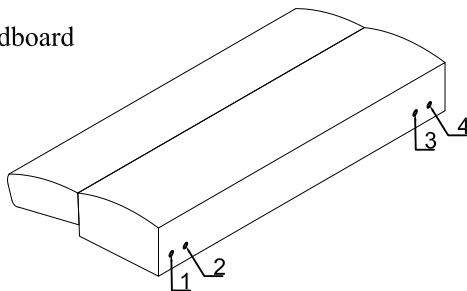
Open the cover behind the headboard. Place the Left Headboard Leg (B) and the Right Headboard Leg (C) into position, Tighten bolts with Allen Key. Then close the cover.

STEP 2:

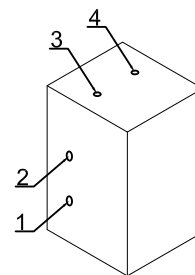


Loosen bolts on Headboard Leg (B, C) and Footboard (D), place side bed rails (E), Tighten bolts on Headboard leg & Footboard with Allen Key

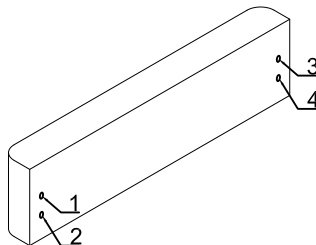
Headboard



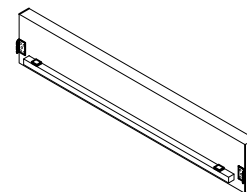
Legs



Footboard

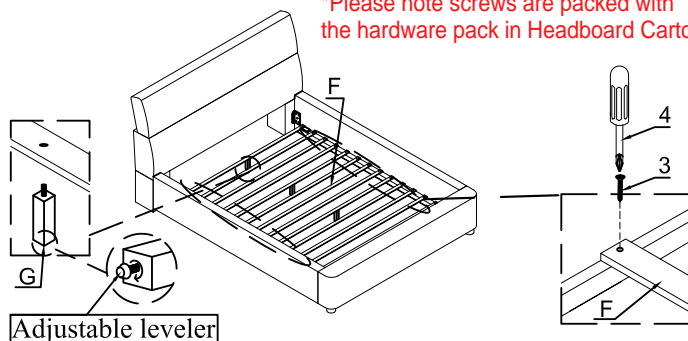


Rails



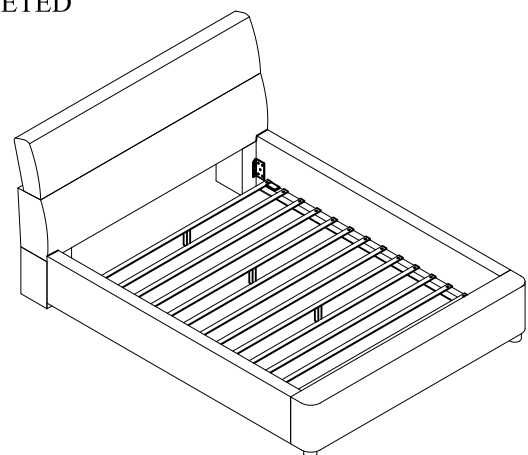
STEP 3:

**\*Please note screws are packed with the hardware pack in Headboard Carton.**



Install the Support Leg (G). Place Straight slat (F) in middle. Then secure it with screw onto side bed rail, 1 screw on each end.

COMPLETED



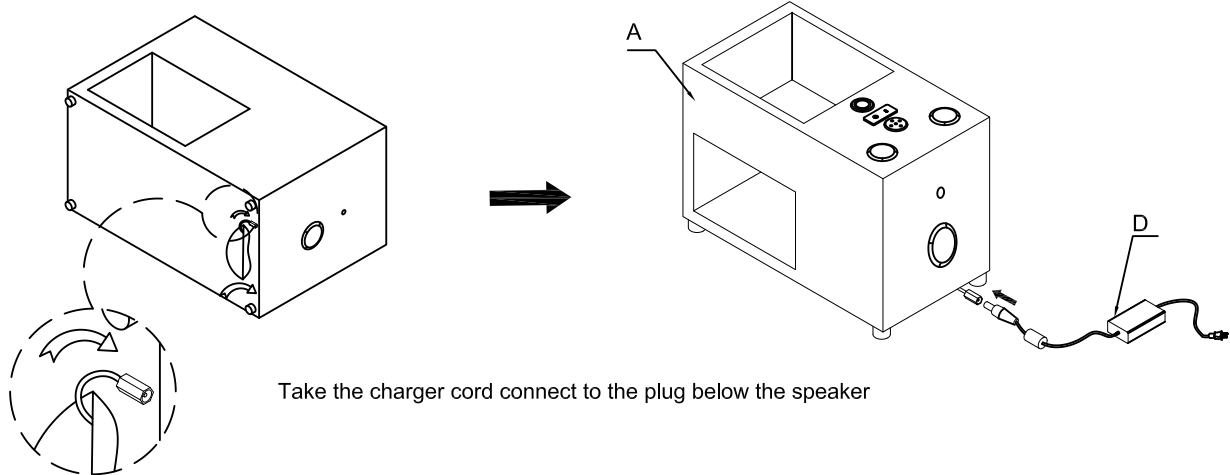
This product is manufactured by HOUS for **ROOMS TO GO | KIDS™**

DO NOT USE SUBSTITUTE PARTS. PLEASE CONTACT YOUR RETAIL STORE OR [www.roomstogo.com](http://www.roomstogo.com) WITH SERVICE OR PARTS REPLACEMENT REQUEST

# ASSEMBLY INSTRUCTION

**\*\*\*Caution:**Please read all instructions carefully before starting the assembly process. These parts are cumbersome and heavy. Therefore, two people are recommended in order to prevent personal injury and ensure the parts are not damaged during the assembly.

## STEP 1:



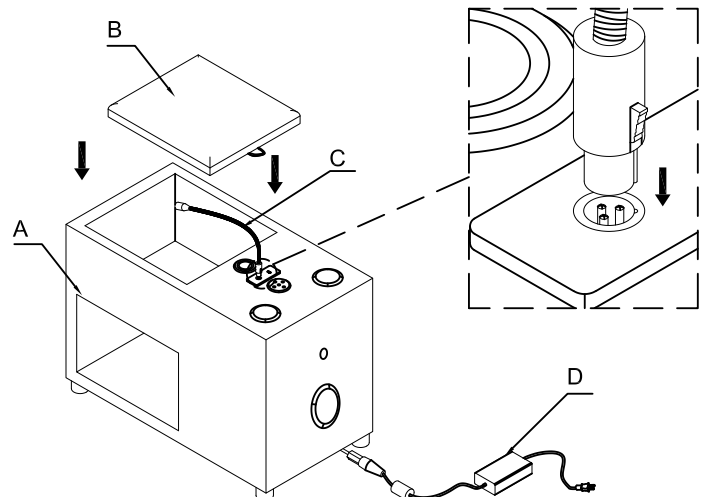
Take the charger cord connect to the plug below the speaker

## STEP 2:

Connect the led light into position and put the seat into position. Connect to the Speaker via the bluetooth.

### \* FUNCTIONS AND OPERATION OF CONTROL PANEL THE SPEAKER

Number	Icon	Function
1		To turn on/off the unit; to play/stop
2		To decrease the volume
3		To increase the volume
4		Touch to return to the previous track; hold to fast rewind through the current track
5		Touch to jump to the next track; hold to fast forward through the current track



### \* BASIC OPERATION:

- When power on, the power button will be red;
  - Press power button for 2 seconds, the other buttons will change from no light to having blue lights and the power button will be red and flashing. This indicates the unit is searching in the Bluetooth mode;
  - The Remo Bluetooth device name is eMoMo, code is 0000. When pairing with the Bluetooth device, the power button red light will be off, the blue light will be on and a signal sound will be made to indicate a successful pairing to the Bluetooth device;
  - Touch slightly to play or pause the audio file;
  - Touch power button for 2 seconds again to turn off the unit.
- The method of quick disconnect bluetooth: Touch & hold ON/OFF button for 2 seconds.

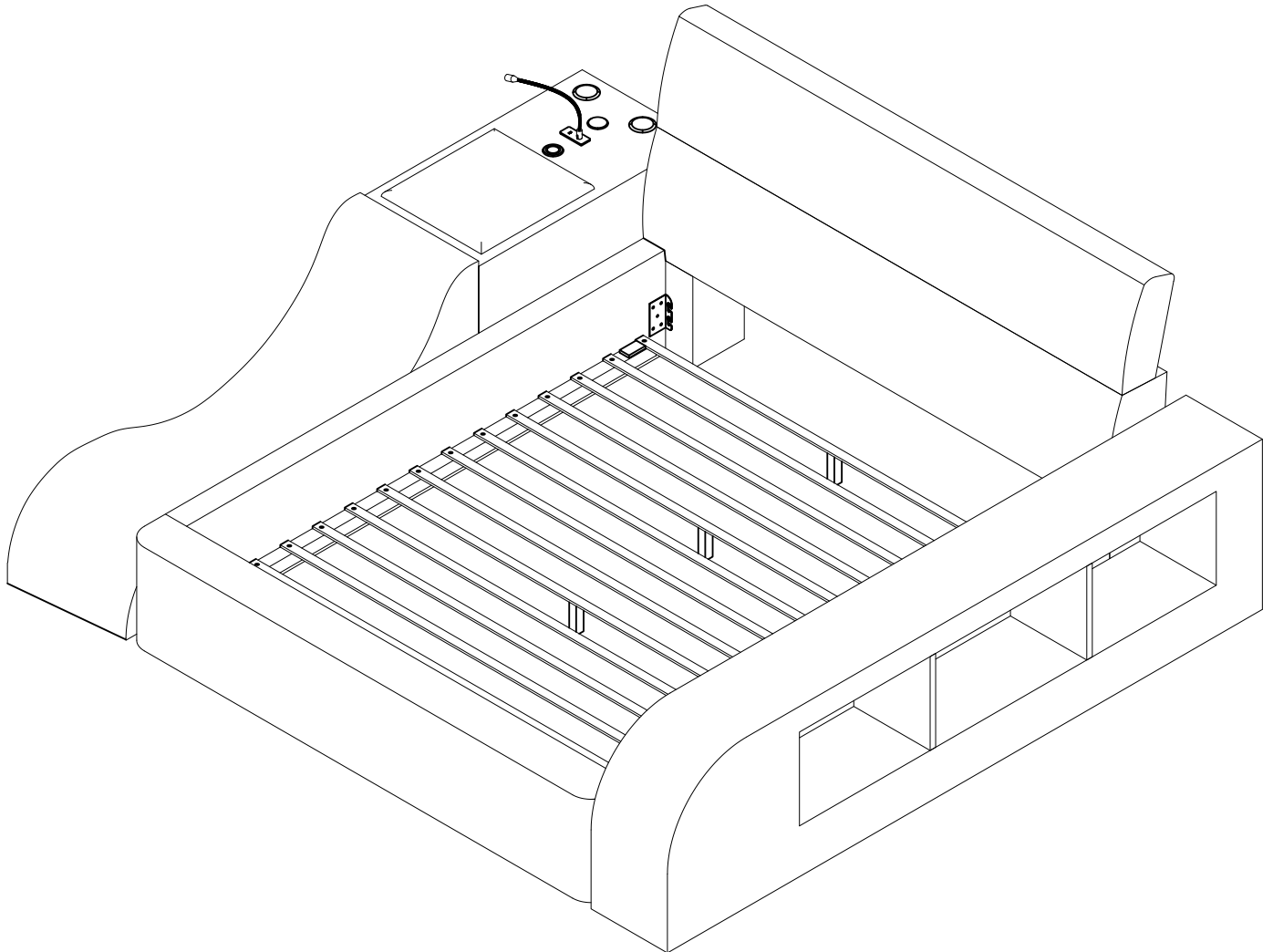
This product is manufactured by HOUS for **ROOMS TO GO | KIDS™**

DO NOT USE SUBSTITUTE PARTS. PLEASE CONTACT YOUR RETAIL STORE OR [www.roomstogo.com](http://www.roomstogo.com) WITH SERVICE OR PARTS REPLACEMENT REQUEST

# ASSEMBLY INSTRUCTION

\*\*\*Caution: Please read all instructions carefully before starting the assembly process. These parts are cumbersome and heavy. Therefore, two people are recommended in order to prevent personal injury and ensure the parts are not damaged during the assembly.

COMPLETED



This product is manufactured by HOUS for **ROOMS TO GO | KIDS™**

DO NOT USE SUBSTITUTE PARTS. PLEASE CONTACT YOUR RETAIL STORE OR [www.roomstogo.com](http://www.roomstogo.com)  
WITH SERVICE OR PARTS REPLACEMENT REQUEST

# ROOMS TO GO KIDS

Manufactured for Rooms To Go Kids



## WARNING

Misuse can result in FIRE or DEATH by ELICTRICAL SHOCK

**ELECTRICAL RATING: 100-240V~50/60Hz 1.5AMPERES**

**ShenZhen Green Power Electronic Technology Co.,Ltd**

**POWER SUPPLY :ZBHWX-A120040-A**

**Read all instructions before using this furnishing.**

**DANGER - To reduce the risk of electric shock:**

1. Always unplug this furnishing from the electrical outlet before cleaning or servicing.

**WARNING - To reduce the risk of burns, fire, electric shock, or injury to persons:**

1. Unplug from outlet before putting on or taking off parts.
2. Never operate this furnishing if it has a damaged electrical cord or plug, if it is not working properly, or if the electrical cord or plug has been damaged or dropped into water. Stop using this furnishing and call a service center for examination and repair.
3. Keep the electrical cord and plug away from heated surfaces and other heat sources.
4. To disconnect, turn all controls to the off position, then remove plug from outlet.
5. When operating, ensure that electrical cord is not under the base, legs, or motion mechanism to avoid damage to electrical cord or plug.
6. Do not strain or stretch electrical cord.
7. Do not use extension cords or power strips.
8. Keep out of reach of children. This is not a toy.
9. Plug directly into a compatible electrical socket.
10. Do not modify the plug or use any adapters.

# ROOMS TO GO KIDS

Manufactured for Rooms To Go Kids



## WARNING

El mal uso puede provocar INCENDIO o MUERTE por DESCARGA ELÉCTRICA

**CLASIFICACION ELECTTRICA: 100-240V~50/60Hz 1.5AMPERES**

**ShenZhen Green Power Electronic Technology Co.,Ltd**

**CABLE DE ALIMENTACION: ZBHWX-A120040-A**

**Leer todas las instrucciones antes de usar este mobiliario.**

**PELIGRO – Para reducir el riesgo de descarga electrica:**

1. Siempre desenchufe este accesorio de la toma de corriente eléctrica antes de limpiarlo o repararlo.

**ADVERTENCIA: para reducir el riesgo de quemaduras, incendios, descargas eléctricas o lesiones a personas:**

1. Desenchufe del tomacorriente antes de colocar o quitar partes.
2. Nunca opere este accesorio si tiene un cable o enchufe eléctrico dañado, si no funciona correctamente, o si el cable o el enchufe eléctrico se ha dañado o se ha caído al agua. Deje de usar este equipamiento y llame a un centro de servicio para que lo examinen y lo reparen.
3. Mantenga el cable eléctrico y el enchufe lejos de superficies calientes y otras fuentes de calor.
4. Para desconectar, gire todos los controles a la posición de apagado, luego retire el enchufe del tomacorriente.
5. Al operar, asegúrese de que el cable eléctrico no esté debajo de la base, las patas o el mecanismo de movimiento para evitar dañar el cable eléctrico o el enchufe.
6. No fuerce ni estire el cable eléctrico.
7. No utilizar cables de extensión o tomas de corriente.
8. Mantener fuera del alcance de los niños. Esto no es un juguete.
9. Enchúfelo directamente a una toma de corriente compatible.
10. No modifique el enchufe ni utilice adaptadores