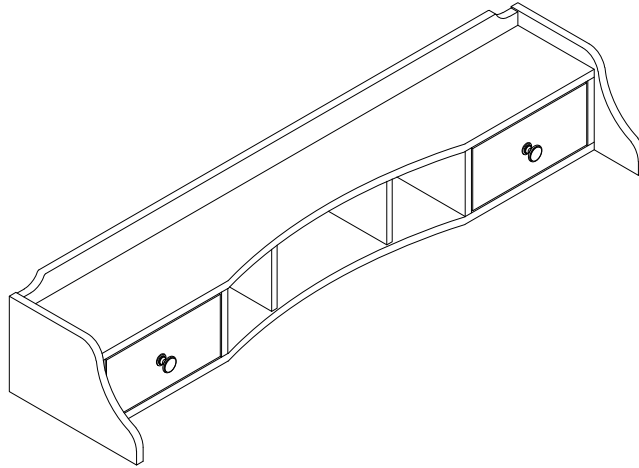

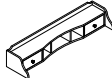
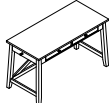


COUNTRY LANE

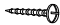
HUTCH



3419951P BUREAU / HUTCH - FAWN
3429951P DESK / HUTCH - FAWN

	RTG SKU	STYLE#	ITEM DESCRIPTION	IMAGE	QTY
A	34299518	9951-1500	BUREAU (SOLD SEPARATELY)		1
B	34399510	9951-6200	HUTCH		1
C	34499512	9951-6100	DESK (SOLD SEPARATELY)		1

HUTCH HARDWARE LIST

	ITEM DESCRIPTION	IMAGE	QTY
1	SCREW	 Ø6*15mm	2 PCS

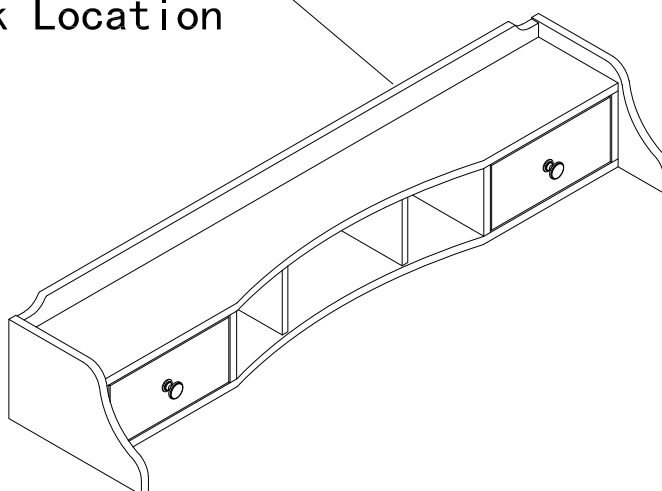
DO NOT USE SUBSTITUTE PARTS.
PLEASE CONTACT YOUR RETAIL STORE OR WWW.ROOMSTOGO.COM WITH SERVICE OR PARTS
REPLACEMENT REQUEST.

This product is manufactured by LEGC for **ROOMS TO GO** | **KIDS**

Hardware Pack Location

34399510 HUTCH - FAWN			
	RTG SKU	STYLE#	ITEM DESCRIPTION
B	34399510	9951-6200	HUTCH

Hardware pack Location



DO NOT USE SUBSTITUTE PARTS.
PLEASE CONTACT YOUR RETAIL STORE OR WWW.ROOMSTOGO.COM WITH SERVICE OR PARTS
REPLACEMENT REQUEST.

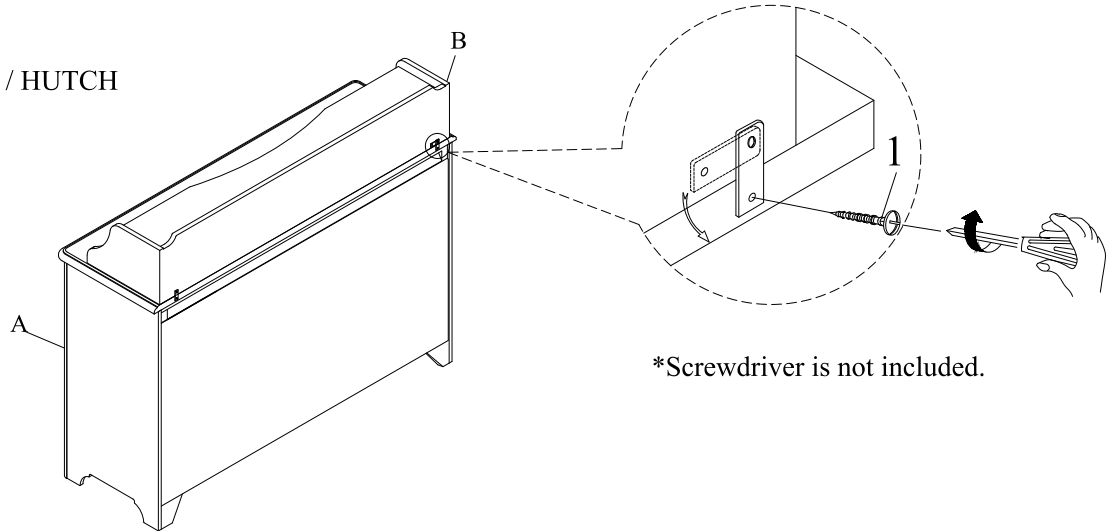
This product is manufactured by LEGC for **ROOMS TO GO** | **KIDS**

Thank you for purchasing this quality product. Be sure to check all packing materials carefully for small parts which may have come loose inside the carton during shipment. Identify and count all parts and compare with the parts list. Read all instructions before assembling furniture and keep these instructions for future reference.

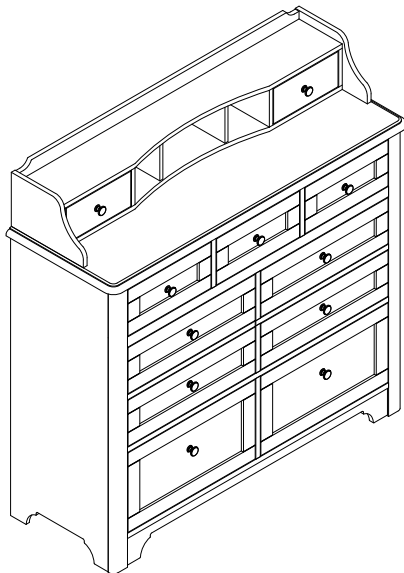
Assembly Instructions:

OPTION 1

3419951P BUREAU / HUTCH



*Screwdriver is not included.



⚠ WARNING
Misuse can result in FIRE or DEATH by ELECTRICAL SHOCK
 ELECTRICAL RATING (125VAC / 12AMPERES)
 IDEAL ENTERPRISE CO., LTD
 PART NUMBER (IC303-01)

Read all instructions before using this furnishing.
DANGER – To reduce the risk of electric shock:
 1. Always unplug this furnishing from the electrical outlet before cleaning or servicing.
WARNING – To reduce the risk of burns, fire, electric shock, or injury to persons:
 1. Unplug from outlet before putting on or taking off parts.
 2. Never operate this furnishing if it has a damaged electrical cord or plug, if it is not working properly, or if the electrical cord or plug has been damaged or dropped into water. Stop using this furnishing and call a service center for examination and repair.
 3. Keep the electrical cord and plug away from heated surfaces and other heat sources.
 4. To disconnect, turn all controls to the off position, then remove plug from outlet.
 5. When operating, ensure that electrical cord is not under the base, legs, or motion mechanism to avoid damage to electrical cord or plug.
 6. Do not strain or stretch electrical cord.
 7. Do not use extension cords or power strips.
 8. Keep out of reach of children. This is not a toy.
 9. Plug directly into a compatible electrical socket.
 10. Do not modify the plug or use any adapters.

⚠ WARNING
El mal uso puede provocar INCENDIO o MUERTE por DESCARGA ELÉCTRICA
 CLASIFICACIÓN ELÉCTRICA (125VAC / 12AMPERES)
 IDEAL ENTERPRISE CO., LTD
 PART NUMBER (IC303-01)

Leer todas las instrucciones antes de usar este mobiliario.
PELIGRO – Para reducir el riesgo de descarga eléctrica:
 1. Siempre desenchufe este accesorio de la toma de corriente eléctrica antes de limpiarlo o repararlo.
ADVERTENCIA – Para reducir el riesgo de quemaduras, incendios, descargas eléctricas o lesiones a personas:
 1. Desenchufe del tomacorriente antes de colocar o quitar partes.
 2. Nunca opere este accesorio si tiene un cable o enchufe eléctrico dañado, si no funciona correctamente, o si el cable o el enchufe eléctrico se ha dañado o se ha caído al agua. Deje de usar este equipamiento y llame a un centro de servicio para que lo examinen y lo reparen.
 3. Mantenga el cable eléctrico y el enchufe lejos de superficies calientes y otras fuentes de calor.
 4. Para desconectar, gire todos los controles a la posición de apagado, luego retire el enchufe del tomacorriente.
 5. Al operar, asegúrese de que el cable eléctrico no esté debajo de la base, las patas o el mecanismo de movimiento para evitar dañar el cable eléctrico o el enchufe.
 6. No fuerce ni estire el cable eléctrico.
 7. No utilice cables de extensión o tomas de corriente.
 8. Mantener fuera del alcance de los niños. Esto no es un juguete.
 9. Enchúfelo directamente a una toma de corriente compatible.
 10. No modifique el enchufe ni utilice adaptadores.

DO NOT USE SUBSTITUTE PARTS.
 PLEASE CONTACT YOUR RETAIL STORE OR WWW.ROOMSTOGO.COM WITH SERVICE OR PARTS REPLACEMENT REQUEST.

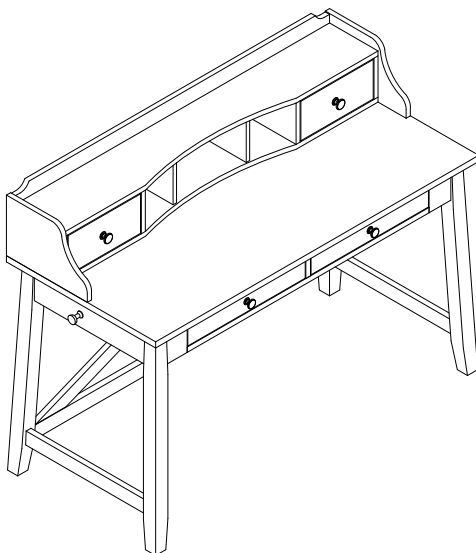
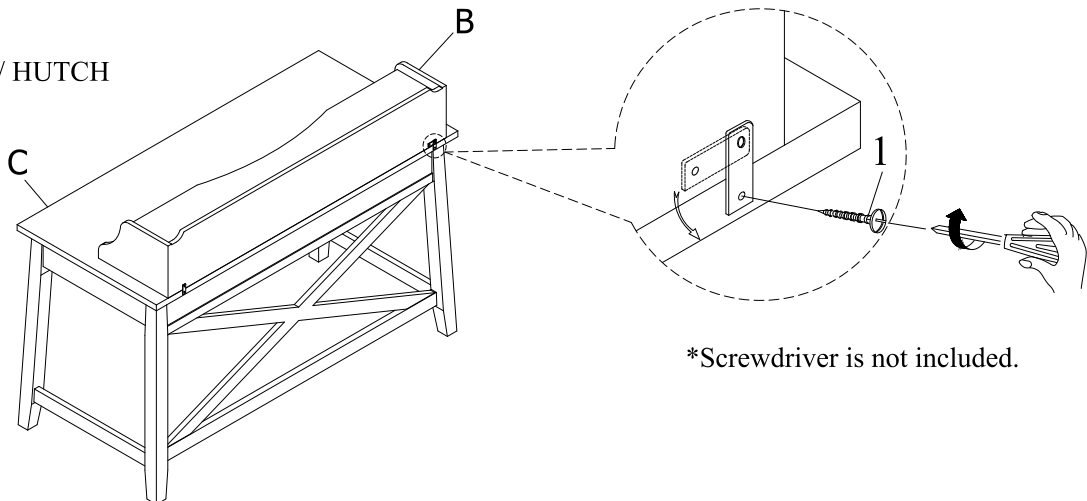
This product is manufactured by LEGC for **ROOMS TO GO | KIDS**

Thank you for purchasing this quality product. Be sure to check all packing materials carefully for small parts which may have come loose inside the carton during shipment. Identify and count all parts and compare with the parts list. Read all instructions before assembling furniture and keep these instructions for future reference.

Assembly Instructions:

OPTION 2

3429951P DESK / HUTCH



WARNING

Misuse can result in FIRE or DEATH by ELECTRICAL SHOCK.

ELECTRICAL RATING (125VAC / 12AMPERES)
IDEAL ENTERPRISE CO., LTD
PART NUMBER (IC303-01)

Read all instructions before using this furnishing.

DANGER – To reduce the risk of electric shock:

1. Always unplug this furnishing from the electrical outlet before cleaning or servicing.

WARNING – To reduce the risk of burns, fire, electric shock, or injury to persons:

1. Unplug from outlet before putting on or taking off parts.
2. Never operate this furnishing if it has a damaged electrical cord or plug, if it is not working properly, or if the electrical cord or plug has been damaged or dropped into water. Stop using this furnishing and call a service center for examination and repair.
3. Keep the electrical cord and plug away from heated surfaces and other heat sources.
4. To disconnect, turn all controls to the off position, then remove plug from outlet.
5. When operating, ensure that electrical cord is not under the base, legs, or motion mechanism to avoid damage to electrical cord or plug.
6. Do not strain or stretch electrical cord.
7. Do not use extension cords or power strips.
8. Keep out of reach of children. This is not a toy.
9. Plug directly into a compatible electrical socket.
10. Do not modify the plug or use any adapters.

WARNING

El mal uso puede provocar INCENDIO o MUERTE por DESCARGA ELÉCTRICA.

CLASIFICACION ELÉCTRICA (125VAC / 12AMPERES)
IDEAL ENTERPRISE CO., LTD
PART NUMBER (IC303-01)

Leer todas las instrucciones antes de usar este mobiliario.

PELIGRO – Para reducir el riesgo de descargas eléctricas:

1. Siempre desenchufe este accesorio de la toma de corriente eléctrica antes de limpiarlo o repararlo.

ADVERTENCIA: para reducir el riesgo de quemaduras, incendios, descargas eléctricas o lesiones personales:

1. Desenchufe del tomacorriente antes de colocar o quitar partes.
2. Nunca opere este accesorio si tiene un cable o enchufe eléctrico dañado, si no funciona correctamente, o si el cable o el enchufe eléctrico se ha dañado o se ha caído al agua. Deje de usar este equipamiento y llame a un centro de servicio para que lo examinen y lo reparen.
3. Mantenga el cable eléctrico y el enchufe lejos de superficies calientes y otras fuentes de calor.
4. Para desconectar, gire todos los controles a la posición de apagado, luego retire el enchufe del tomacorriente.
5. Al operar, asegúrese de que el cable eléctrico no esté debajo de la base, las patas o el mecanismo de movimiento para evitar dañar el cable eléctrico o el enchufe.
6. No fuerce ni estire el cable eléctrico.
7. No utilice cables de extensión o tomas de corriente.
8. Mantener fuera del alcance de los niños. Esto no es un juguete.
9. Enchúfelo directamente a una toma de corriente compatible.
10. No modifique el enchufe ni utilice adaptadores.

DO NOT USE SUBSTITUTE PARTS.

PLEASE CONTACT YOUR RETAIL STORE OR WWW.ROOMSTOGO.COM WITH SERVICE OR PARTS REPLACEMENT REQUEST.

This product is manufactured by LEGC for **ROOMS TO GO | KIDS**