

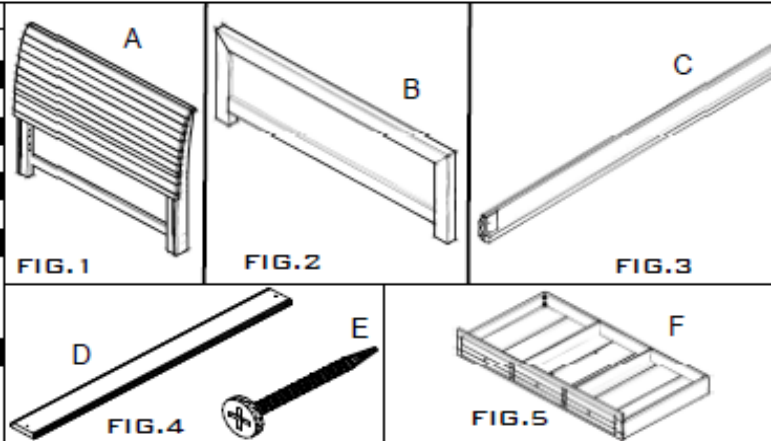
CANYON FURNITURE COMPANY.

**MOSS CREEK SLEIGH BED ASSEMBLY INSTRUCTIONS ( 26-783,26-785 )**

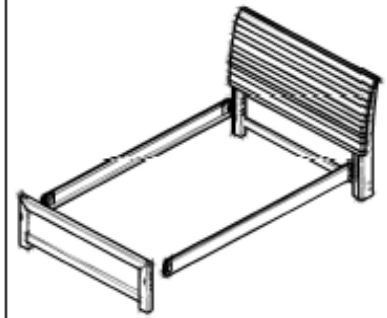
THANK YOU FOR YOUR PURCHASE ! PLEASE CONTACT YOUR RETAIL STORE WITH SERVICE OR PARTS REPLACEMENT REQUEST.

**LIST OF CONTENTS**

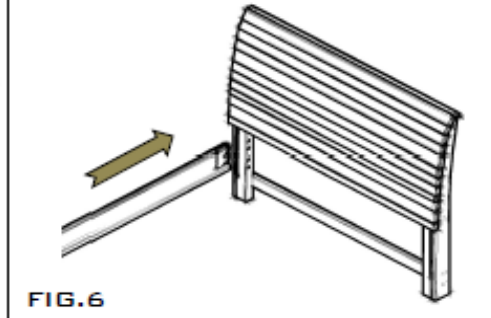
<b>MOSS CREEK COLLECTION</b>	
HEADBOARD BOX ( 26-783,26-785 ) FIG.1	
A.- (1) HEADBOARD	
FOOTBOARD BOX ( 26-784,26-786 ) FIG.2	
B.- (1) FOOTBOARD	
2 PCS SIDE RAIL BOX ( 26-771 ) FIG.3	
C.- (2) SIDE RAILS	
4 PCS SLAT PACK BOX ( 26-645,26-646 ) FIG.4	
D.- (4) SLATS	
HARDWARE PACK (HPK00016)	
E.- (8) 1 1/4" SCREWS	
KD TRUNDLE BED BOX ( 26-744 ) FIG.5 ( OPTIONAL )	
F.- (1) TRUNDLE BED	



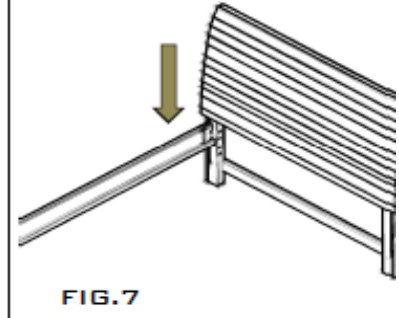
1) PLACED HEADBOARD, FOOTBOARD AND SIDE RAILS IN DESIRED POSITION IN ROOM.



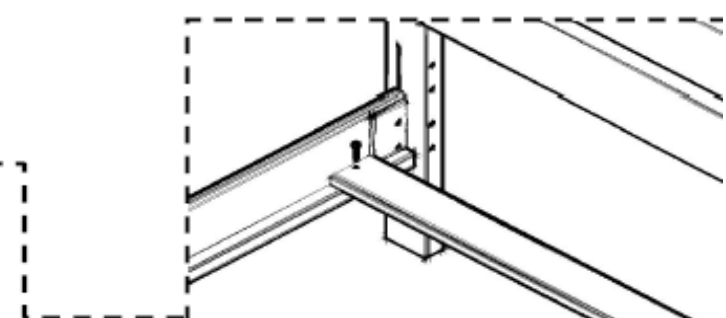
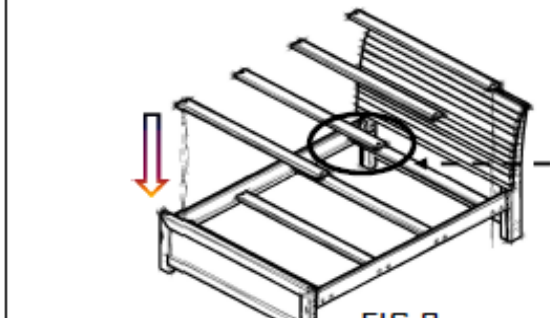
2) INSERT SIDE RAIL HOOKS INTO SLOT ON THE HEADBOARD & FOOTBOARD SEE FIG.6



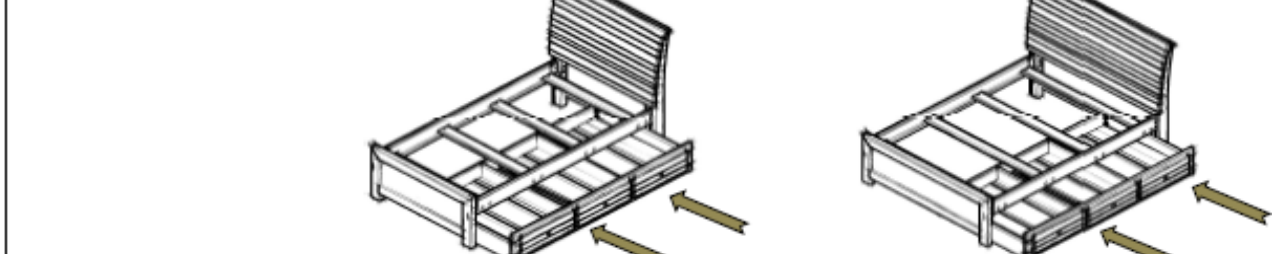
3) PUSH SIDE RAIL DOWN TO ENGAGE HOOKS, SEE FIG.7



4) PLACE FOUR SLATS ( D ) ON SIDE RAIL CLEAT, ONE SLAT IN BOTH HEADBOARD & FOOTBOARD ENDS, PUSH THE SLAT AGAINST THE BED END POST ( FIG. A ), AND TWO SLATS IN MIDDLE AT EQUAL DISTANCE FROM THE END SLATS, THEN EACH SLAT END MUST BE FASTEN WITH ONE 1 1/4" SCREW ( E ), SEE FIG.8



5) IF PURCHASE TRUNDLE BED, INSERT SIDE RAILS INTO THE TOP SLOTS ON THE HEADBOARD & FOOTBOARD, THEN PUSH SIDE RAILS DOWN TO ENGAGE HOOKS AND SLIDE TRUNDLE BED UNDER SIDE RAILS, SEE FIG. BELOW.

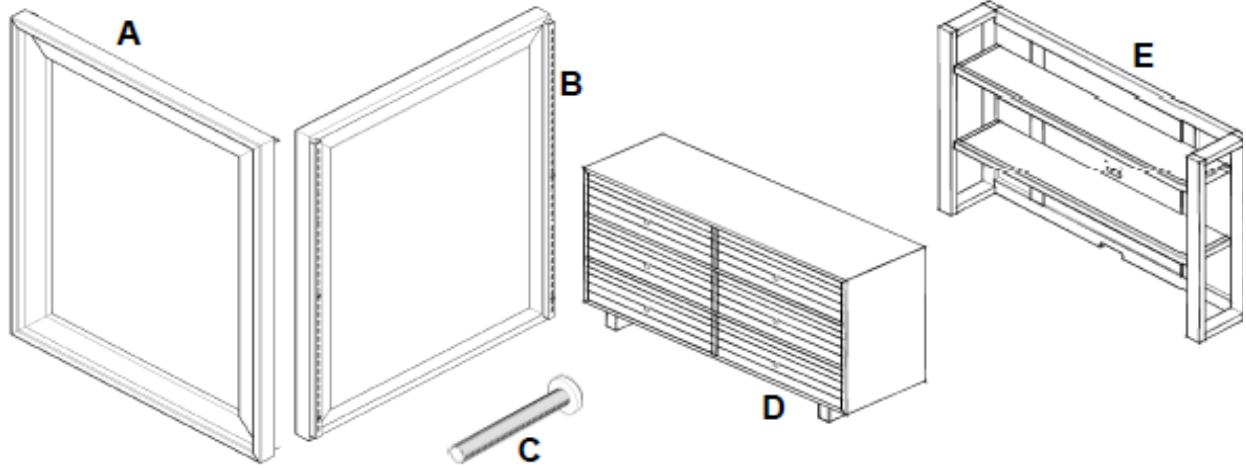


**CANYON FURNITURE COMPANY**  
**6 DRAWER DRESSER ASSEMBLY INSTRUCTIONS ( 26-206 )**

LIST OF CONTENTS  
**MOSS CREEK COLLECTION**

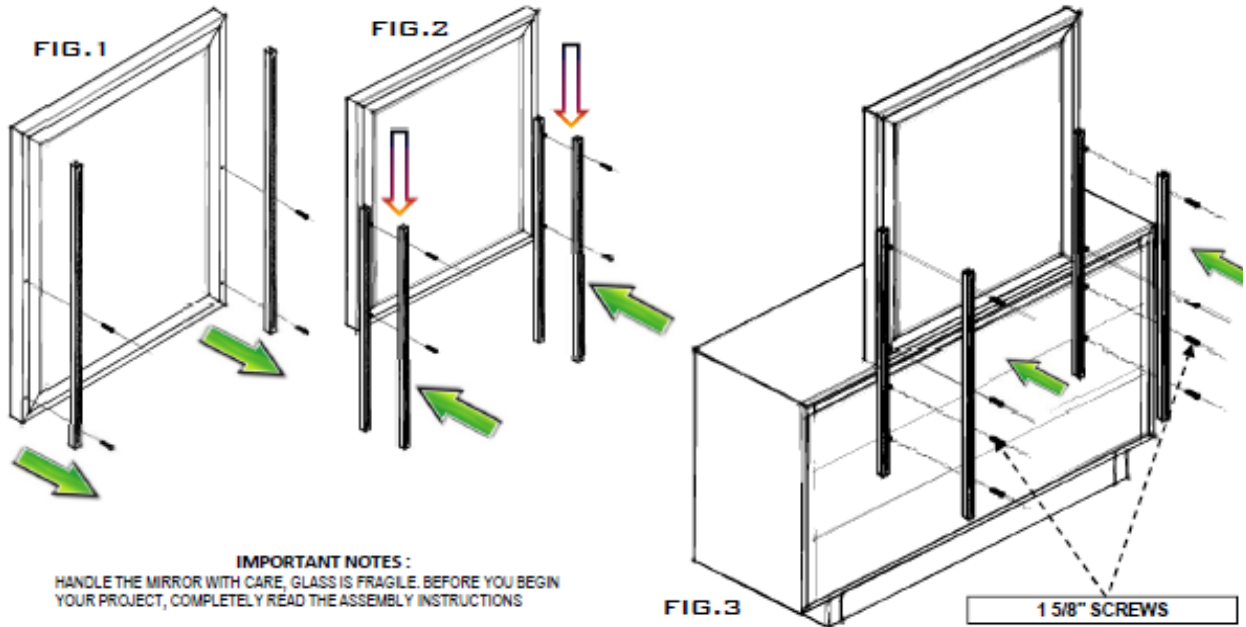
THANK YOU FOR YOUR PURCHASE ! PLEASE CONTACT YOUR RETAIL STORE WITH SERVICE OR PARTS REPLACEMENT REQUEST.

LANDSCAPE MIRROR BOX ( 26-300 )	6 DRAWER DRESSER BOX ( 26-206 )	COMPUTER HUTCH BOX ( 26-765 )
A.- (1) LANDSCAPE MIRROR B.- (2) 36" METAL SUPPORTS C.- (4) 1 5/8" SCREWS HARDWARE PACK (HPK00106)	D.- (1) 6 DRAWER DRESSER  <b>TOOLS NEEDED</b> PHILLIPS HEAD SCREWDRIVER <b>(NOT INCLUDED)</b>	E.- (1) COMPUTER DESK HUTCH B.- (2) 36" METAL SUPPORTS HARDWARE PACK (HPK00106) (2 PCS) C.- (4) 1 5/8" SCREWS



**6 DRAWER DRESSER WITH LANDSCAPE MIRROR ASSEMBLY**

- 1.- UNPACK THE LANDSCAPE MIRROR ( A ) AND REMOVE THE 1 5/8" SCREWS AND THE 36" METAL SUPPORT INSTALLED IN THE LANDSCAPE MIRROR, USING YOUR PHILLIPS SCREWDRIVER ( FIG.1 ), THEN SLIDE DOWN BOTH 36" METAL SUPPORTS AND REPLACED CONNECTING USING REMOVAL SCREWS, SEE FIG.2
- 2.- TAKE THE 6 DRAWER DRESSER ( D ) AND PLACE IT NEAR TO THE FINAL POSITION IN THE ROOM.
- 3.- CAREFULLY PLACE LANDSCAPE MIRROR ON THE 6 DRAWER DRESSER AND LINE UP CENTER.
- 4.- ATTACH THE 36" METAL SUPPORTS TO 6 DRAWER DRESSER, BY ALIGNING 36" METAL SUPPORTS WITH THE HOLES IN THE 6 DRAWER DRESSER, USING YOUR PHILLIPS SCREWDRIVER TIGHT ALL SCREWS, SEE FIG.3



**IMPORTANT NOTES :**  
 HANDLE THE MIRROR WITH CARE, GLASS IS FRAGILE. BEFORE YOU BEGIN YOUR PROJECT, COMPLETELY READ THE ASSEMBLY INSTRUCTIONS

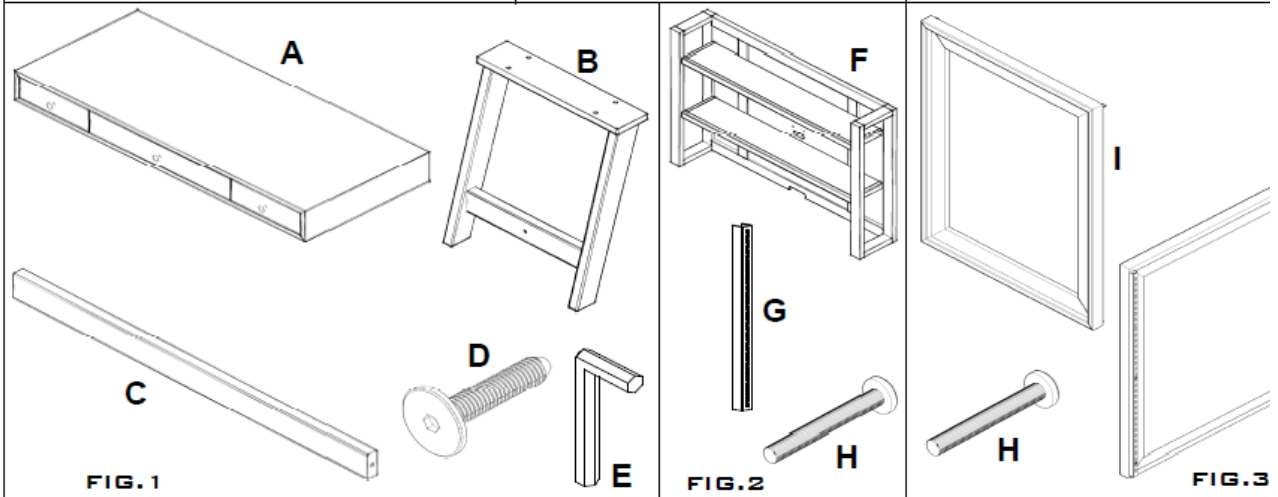
**CANYON FURNITURE COMPANY**  
**COMPUTER DESK ASSEMBLY INSTRUCTIONS ( 26-600 )**

LIST OF CONTENTS

**MOSS CREEK COLLECTION**

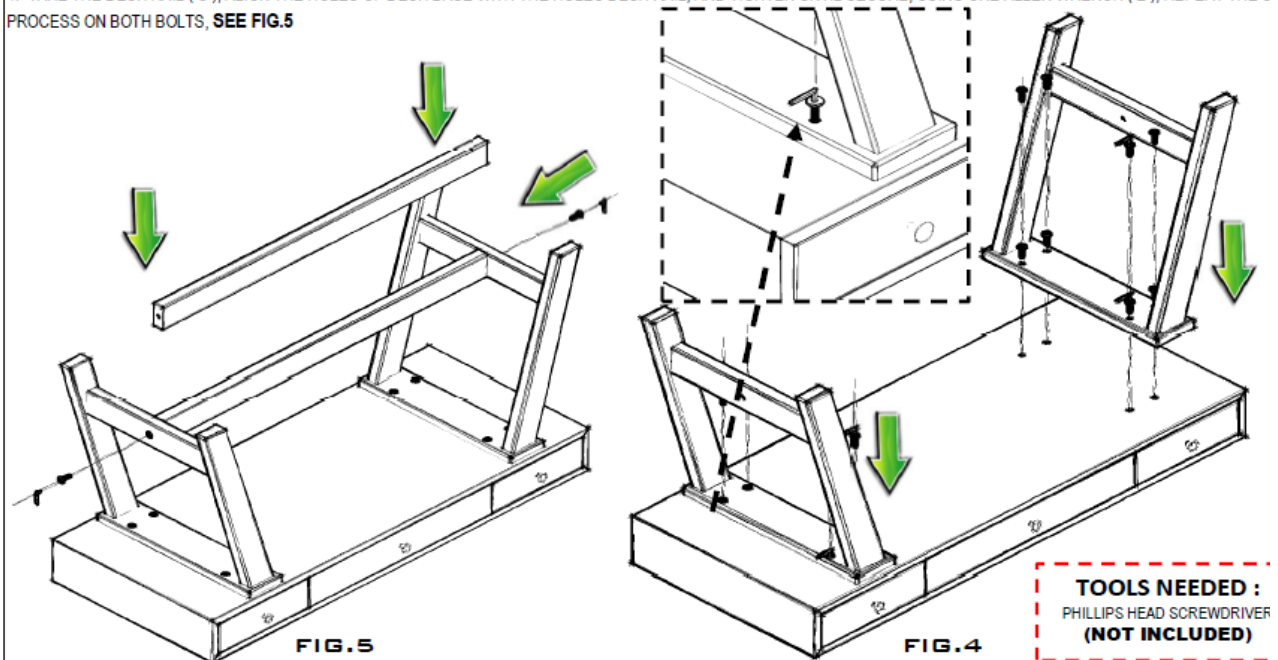
THANK YOU FOR YOUR PURCHASE ! PLEASE CONTACT YOUR RETAIL STORE WITH SERVICE OR PARTS REPLACEMENT REQUEST.

COMPUTER DESK BOX ( 26-600 ) FIG.1	COMPUTER HUTCH BOX ( 26-765 ) FIG.2	LANDSCAPE MIRROR BOX ( 26-300 ) FIG.
A.- (1) DESK TOP B.- (2) DESK BASE C.- (1) DESK RAIL  <b>HARDWARE PACK (HPK00107)</b> D.- (10) 40MM HEX BOLTS E.- (1) ALLEN WRENCH	F.- (1) COMPUTER DESK HUTCH G.- (2) 36" METAL SUPPORTS  <b>HARDWARE PACK (HPK00106) (2 PCS)</b> H.- (4) 1 5/8" SCREWS	I.- (1) LANDSCAPE MIRROR G.- (2) 36" METAL SUPPORTS H.- (4) 1 5/8" SCREWS  <b>HARDWARE PACK (HPK00106)</b> H.- (4) 1 5/8" SCREWS



**COMPUTER DESK ASSEMBLY**

- 1.- BEFORE YOU START, CAREFULLY UNPACK AND IDENTIFY EACH COMPONENT AND PIECE OF HARDWARE TO MAKE SURE YOU HAVE EVERYTHING YOU NEED FOR ASSEMBLY.
- 2.- PLACE THE DESK TOP (A) FACE DOWN IN A SOFT AND CLEAN SURFACE TO AVOID SCRATCHES, **SEE FIG.4**
- 3.- TAKE ONE 40MM HEX BOLT (D), ALIGN THE HOLES OF DESK TOP (A) WITH THE HOLES OF DESK BASE (B), AND TIGHTEN UNTIL SECURE, USING ONE ALLEN WRENCH (E), REPEAT THE SAME PROCESS ON ALL BOLTS, **SEE FIG.4**
- 4.- TAKE THE DESK RAIL (C), ALIGN THE HOLES OF DESK BASE WITH THE HOLES OF DESK RAIL, AND TIGHTEN UNTIL SECURE, USING ONE ALLEN WRENCH (E), REPEAT THE SAME PROCESS ON BOTH BOLTS, **SEE FIG.5**



**TOOLS NEEDED :**  
 PHILLIPS HEAD SCREWDRIVER  
 (NOT INCLUDED)

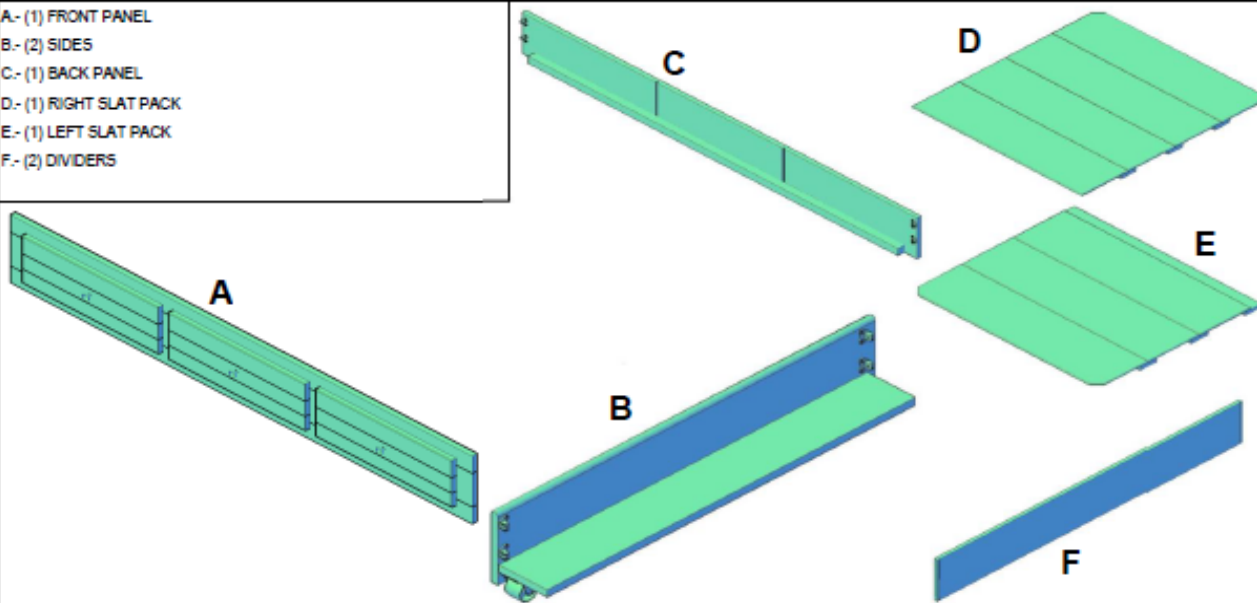
**CANYON FURNITURE COMPANY**  
**TRUNDLE BED KD ASSEMBLY INSTRUCTIONS (26-744)**

LIST OF CONTENTS  
**RECLAIM YOUTH COLLECTION**

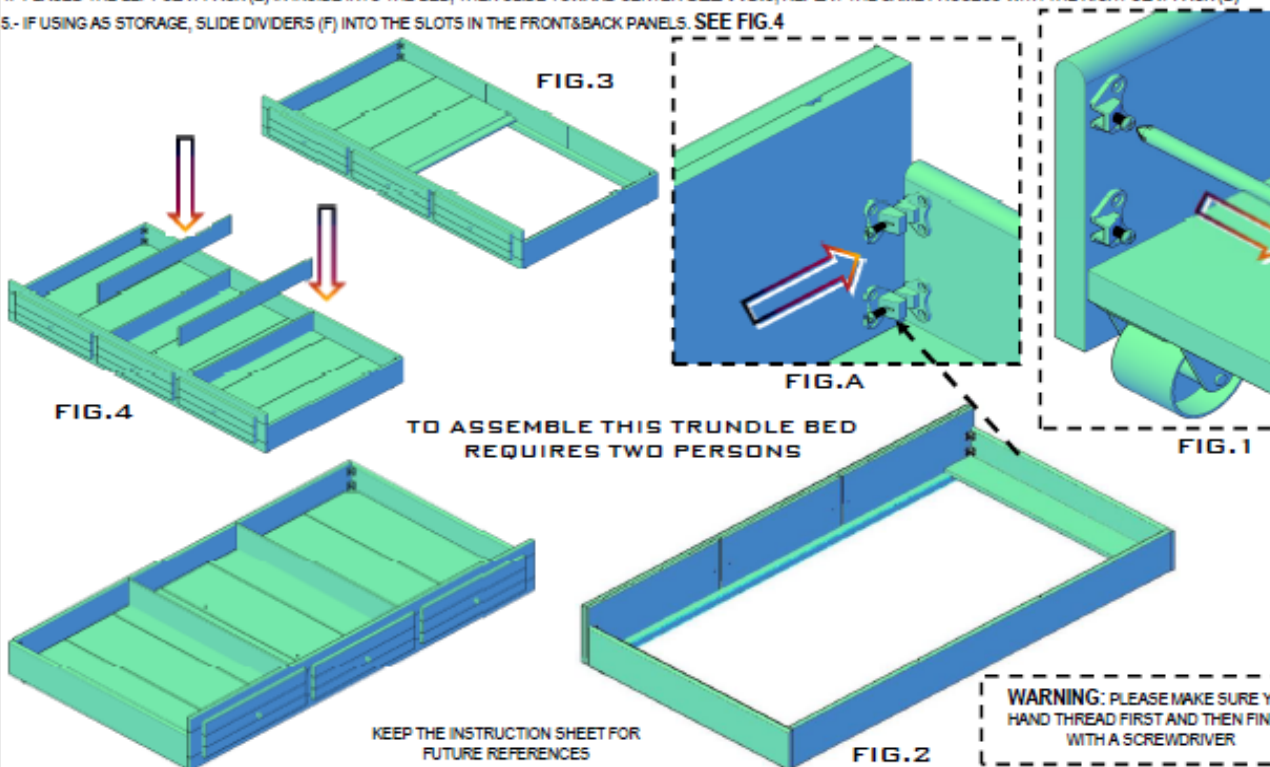
THANK YOU FOR YOUR PURCHASE ! PLEASE CONTACT YOUR RETAIL STORE WITH SERVICE OR PARTS REPLACEMENT REQUEST.

**TRUNDLE BED KD BOX ( 26-744 )**

- A.- (1) FRONT PANEL
- B.- (2) SIDES
- C.- (1) BACK PANEL
- D.- (1) RIGHT SLAT PACK
- E.- (1) LEFT SLAT PACK
- F.- (2) DIVIDERS



- 1.- BEFORE YOU START, CAREFULLY UNPACK AND IDENTIFY EACH COMPONENT AND PIECE OF HARDWARE TO MAKE SURE YOU HAVE EVERYTHING YOU NEED FOR ASSEMBLY
- 2.- REMOVE SCREWS IN BOTH SIDES (B), USING A PHILLIP HEAD SCREWDRIVER (NOT INCLUDED) SAVE THE SCREWS FOR RE-ATTACH SEE FIG.1
- 3.- ALIGN HARDWARE INSTALLED IN THE FRONT PANEL (A) WITH ONE SIDE (B), THEN ATTACH USING THE SCREWS REMOVED IN PREVIOUS STEP SEE FIG.A, REPEAT THE PROCESS AT ALL FOUR CORNERS, SEE FIG.2
- 4.- PLACED THE LEFT SLAT PACK (E) IN INSIDE INTO THE BED, THEN SLIDE TOWARD CENTER SEE FIG.3, REPEAT THE SAME PROCESS WITH THE RIGHT SLAT PACK (D)
- 5.- IF USING AS STORAGE, SLIDE DIVIDERS (F) INTO THE SLOTS IN THE FRONT&BACK PANELS. SEE FIG.4



TO ASSEMBLE THIS TRUNDLE BED  
 REQUIRES TWO PERSONS

KEEP THE INSTRUCTION SHEET FOR  
 FUTURE REFERENCES



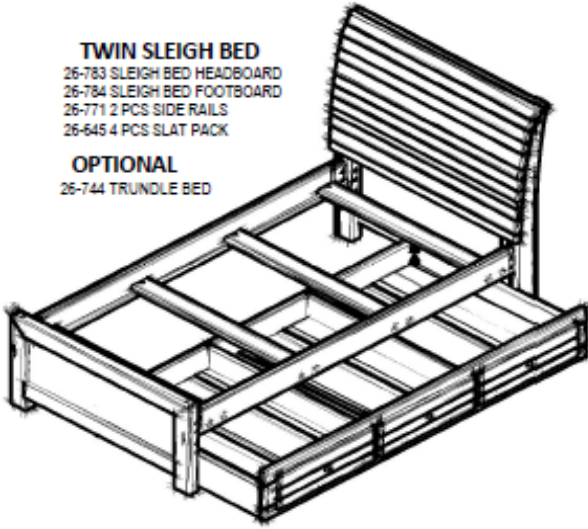
CANYON FURNITURE COMPANY.  
COMPLETE CONFIGURATION

**TWIN SLEIGH BED**

26-783 SLEIGH BED HEADBOARD  
26-784 SLEIGH BED FOOTBOARD  
26-771 2 PCS SIDE RAILS  
26-645 4 PCS SLAT PACK

**OPTIONAL**

26-744 TRUNDLE BED

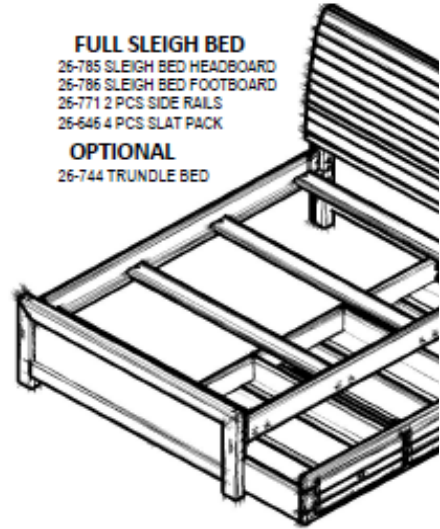


**FULL SLEIGH BED**

26-785 SLEIGH BED HEADBOARD  
26-786 SLEIGH BED FOOTBOARD  
26-771 2 PCS SIDE RAILS  
26-646 4 PCS SLAT PACK

**OPTIONAL**

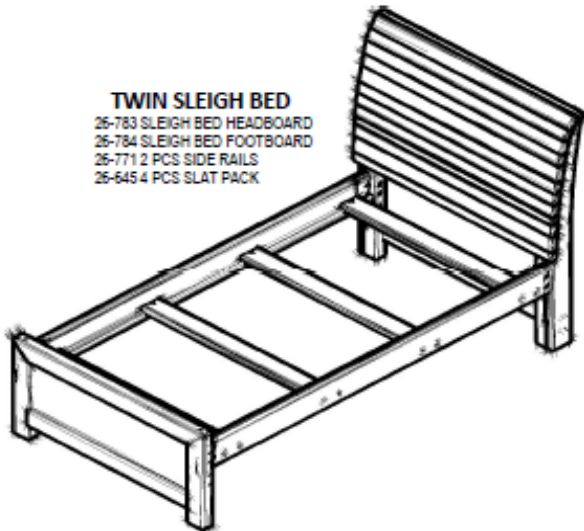
26-744 TRUNDLE BED



TO ASSEMBLE THIS SLEIGH BED  
REQUIRES TWO PERSONS

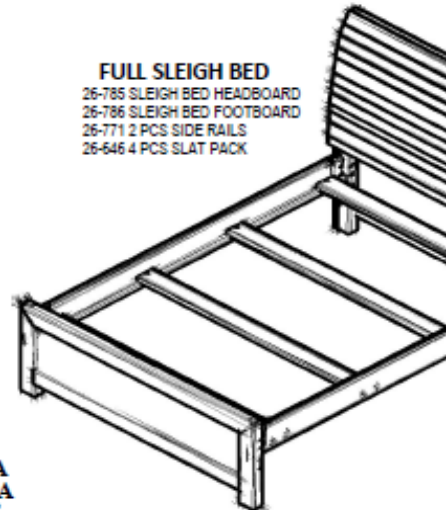
**TWIN SLEIGH BED**

26-783 SLEIGH BED HEADBOARD  
26-784 SLEIGH BED FOOTBOARD  
26-771 2 PCS SIDE RAILS  
26-645 4 PCS SLAT PACK



**FULL SLEIGH BED**

26-785 SLEIGH BED HEADBOARD  
26-786 SLEIGH BED FOOTBOARD  
26-771 2 PCS SIDE RAILS  
26-646 4 PCS SLAT PACK



**WARNING:**  
THE BED SLATS WILL NO SUPPORT A  
MATTRESS ALONE. A SLAT PACK OR A  
BUNKIE BOARD IS REQUIRED FOR  
PROPER SAFETY.  
( NOT INCLUDED )

**REPLACEMENT PARTS**

REPLACEMENT PARTS, INCLUDING ADDITIONAL GUARDRAILS, MAY BE OBTAINED FROM ANY OF OUR CANYON FURNITURE COM

CANYON FURNITURE COMPANY

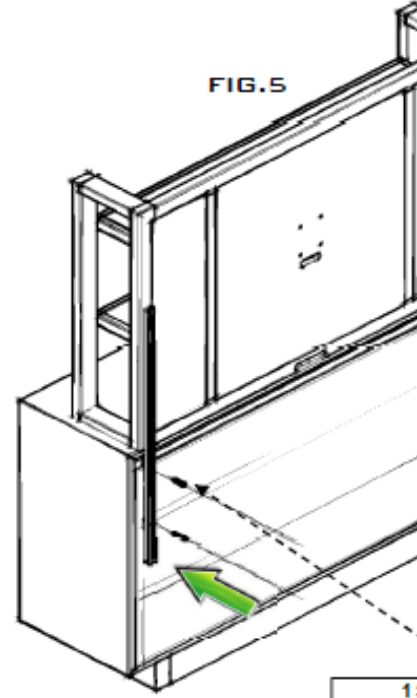
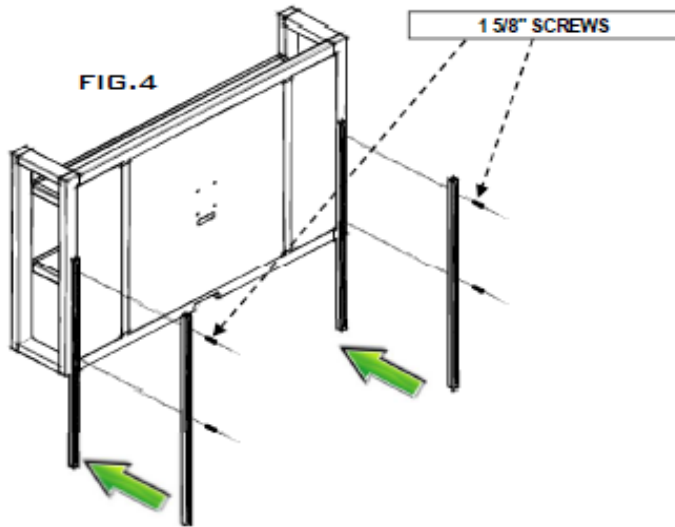
6 DRAWER DRESSER WITH COMPUTER HUTCH ASSEMBLY

1.- UNPACK THE COMPUTER HUTCH ( E), IDENTIFY THE HOLES IN THE HUTCH THEN INSTALLED THE 36" METAL SUPPORTS ( B), ATTACH WITH 1 5/8" SCREWS ( S) SCREWDRIVER TIGHT ALL SCREWS, SEE FIG.4.

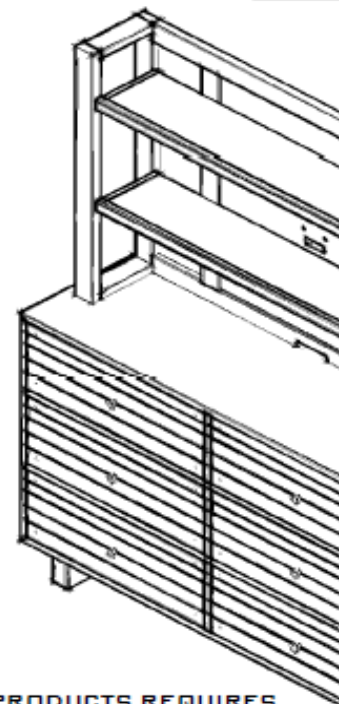
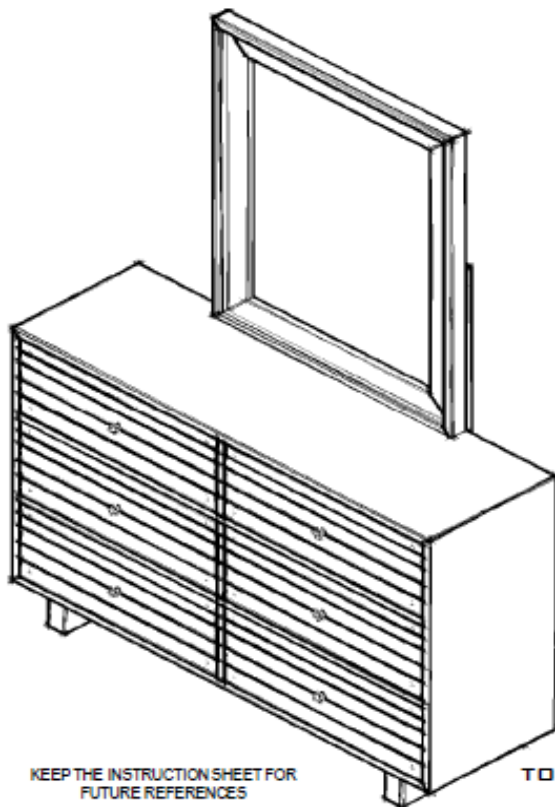
2.- TAKE THE 6 DRAWER DRESSER ( D) AND PLACE IT NEAR TO THE FINAL POSITION IN THE ROOM.

3.- CAREFULLY PLACE COMPUTER HUTCH ON THE 6 DRAWER DRESSER AND LINE UP CENTER.

4.- ATTACH THE 36" METAL SUPPORTS TO 6 DRAWER DRESSER ( D), BY ALIGNING 36" METAL SUPPORTS WITH THE HOLES IN THE DRESSER, USING YOUR PH ALL SCREWS, SEE FIG.5



**IMPORTANT NOTES :**  
HANDLE THE MIRROR WITH CARE, GLASS IS FRAGILE. BEFORE YOU BEGIN YOUR PROJECT, COMPLETELY READ THE ASSEMBLY INSTRUCTIONS

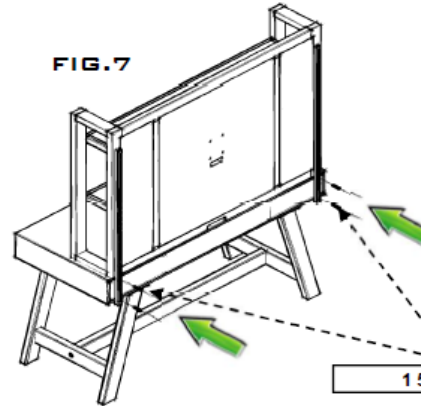
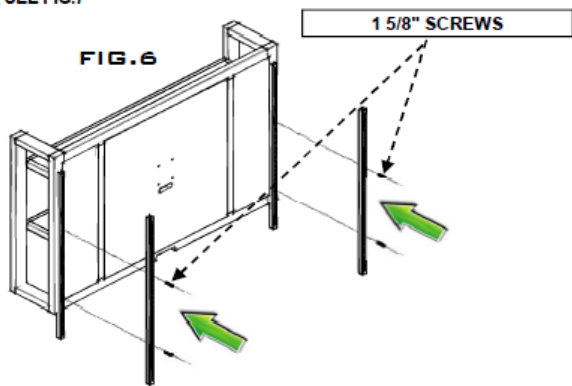


KEEP THE INSTRUCTION SHEET FOR FUTURE REFERENCES

TO ASSEMBLE THIS PRODUCTS REQUIRES TWO PERSONS

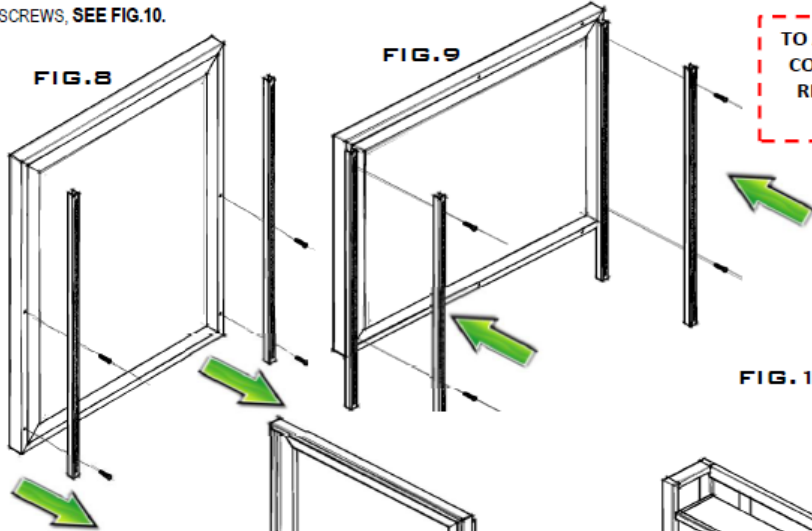
**CANYON FURNITURE COMPANY**  
**COMPUTER DESK WITH HUTCH ASSEMBLY**

- 1.- UNPACK THE COMPUTER HUTCH ( F ), IDENTIFY THE HOLES IN THE HUTCH THEN INSTALLED THE 36" METAL SUPPORTS ( G ), ATTACH WITH 1 5/8" SCREWS SCREWDRIVER TIGHT ALL SCREWS, **SEE FIG.6**
- 2.- TURN THE ASSEMBLE FACE UP THE COMPUTER DESK AND PLACE IT NEAR TO THE FINAL POSITION IN THE ROOM.
- 3.- CAREFULLY PLACE COMPUTER HUTCH ON THE COMPUTER DESK AND LINE UP CENTER.
- 4.- ATTACH THE 36" METAL SUPPORTS TO COMPUTER DESK, BY ALIGNING 36" METAL SUPPORTS WITH THE HOLES IN THE COMPUTER, USING YOUR PHILLIP SCREWS, **SEE FIG.7**

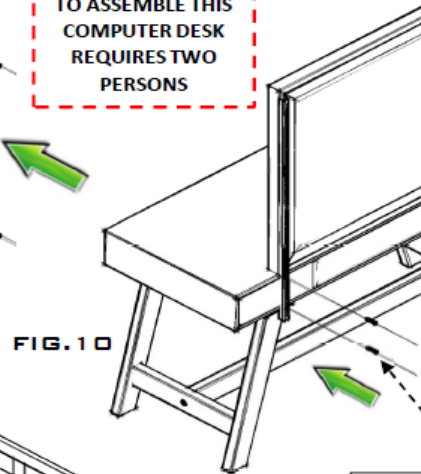


**COMPUTER DESK WITH LANDSCAPE MIRROR ASSEMBLY**

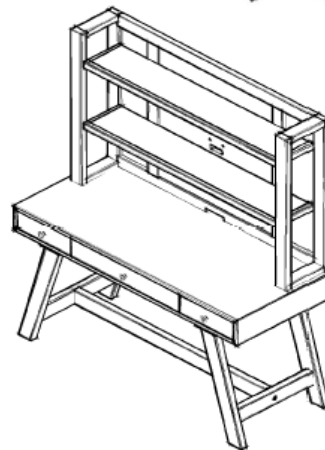
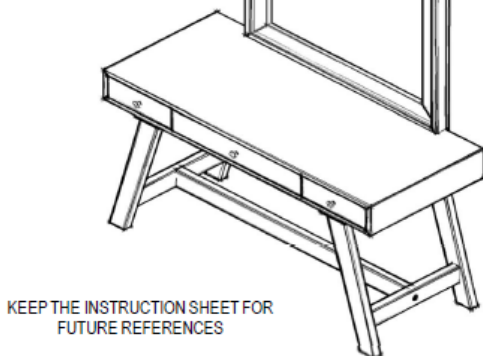
- 1.- UNPACK THE LANDSCAPE MIRROR ( I ), AND REMOVE THE 1 5/8" SCREWS AND THE 36" METAL SUPPORT INSTALLED IN THE LANDSCAPE MIRROR, USING YOUR PHILLIP SCREWDRIVER, **SEE FIG.8**, THEN TURN AROUND THE MIRROR, ATTACH USING REMOVAL SCREWS AND METAL SUPPORTS, **SEE FIG.9**.
- 2.- TURN THE ASSEMBLE FACE UP THE COMPUTER DESK AND PLACE IT NEAR TO THE FINAL POSITION IN THE ROOM.
- 3.- CAREFULLY PLACE LANDSCAPE MIRROR ON THE COMPUTER DESK AND LINE UP CENTER.
- 4.- ATTACH THE 36" METAL SUPPORTS TO COMPUTER DESK. BY ALIGNING 36" METAL SUPPORTS WITH THE HOLES IN THE COMPUTER, USING YOUR PHILLIP SCREWS, **SEE FIG.10**.



**TO ASSEMBLE THIS  
COMPUTER DESK  
REQUIRES TWO  
PERSONS**



**IMPORTANT!**  
HANDLE THE MIRROR WITH CARE BEFORE AND AFTER YOUR PROJECT, COMPLETE.



KEEP THE INSTRUCTION SHEET FOR FUTURE REFERENCES

**TO  
PHILLIP  
(N**





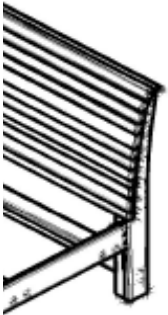
LY.

SAME



DU  
SH



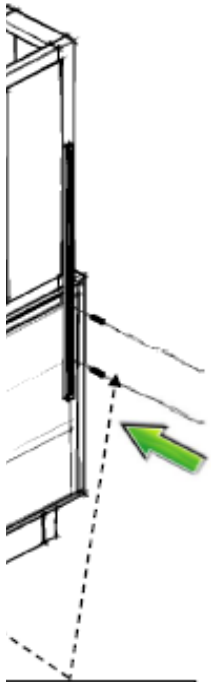


PANY DEALERS.

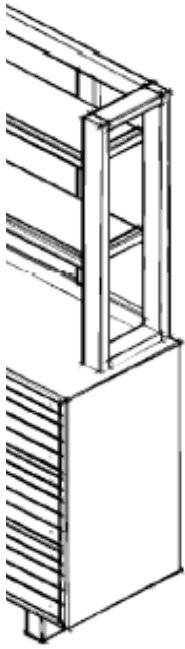
KIS01144

(C), USING YOUR PHILLIPS

PHILLIPS SCREWDRIVER TIGHT



5/8" SCREWS



KIS01148

3 (H), USING YOUR PHILLIPS

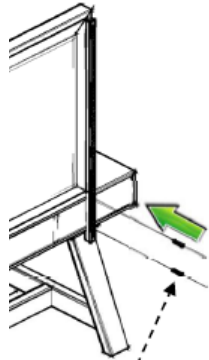
'S SCREWDRIVER TIGHT ALL



**5/8" SCREWS**

OUR PHILLIPS SCREWDRIVER

'S SCREWDRIVER TIGHT ALL



**1 5/8" SCREWS**

**IMPORTANT NOTES :**  
BE CAREFUL, GLASS IS FRAGILE.  
WHEN YOU BEGIN  
ALWAYS CAREFULLY READ THE ASSEMBLY

**TOOLS NEEDED :**  
PHILLIPS HEAD SCREWDRIVER  
(NOT INCLUDED)

