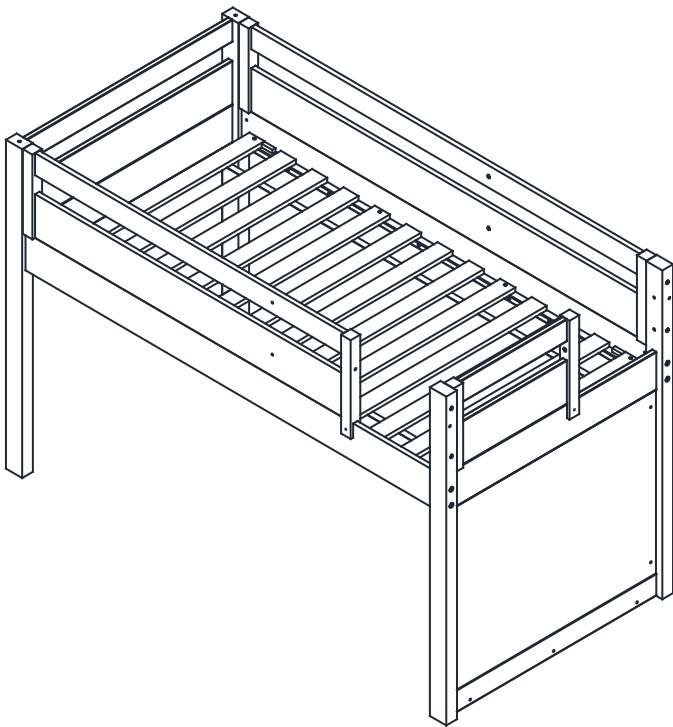




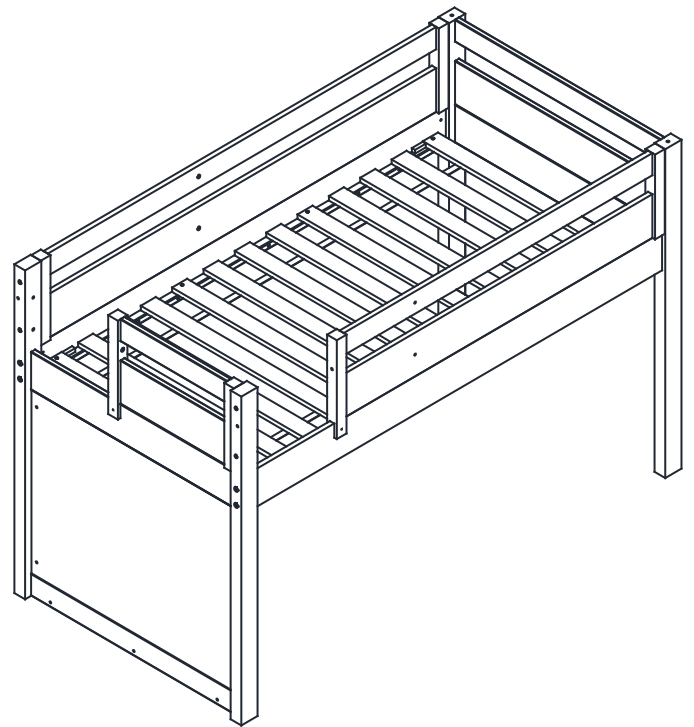
HIDDEN HILLS

TWIN LOW LOFT BED

OPTION 1:
Twin Low Loft Bed with
Opening Bed End on the RIGHT



OPTION 2:
Twin Low Loft Bed with
Opening Bed End on the LEFT



**Use only correct mattress dimensions and Bunkie board:
Twin size mattress- 74" - 75" long and 37.5 - 38.5" wide
Twin size Bunkie board - 74" long and 37.5" wide**

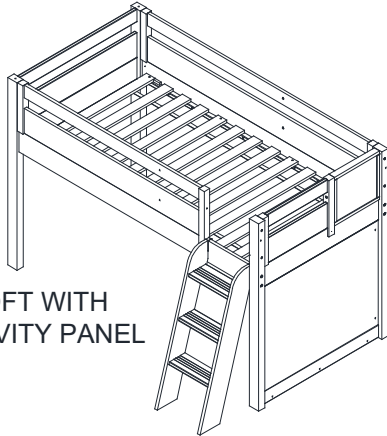
PLEASE CONTACT YOUR RETAIL STORE WITH SERVICE OR PARTS REPLACEMENT REQUEST

This product is manufactured by (THII) for ROOMSTOGO | KIDS

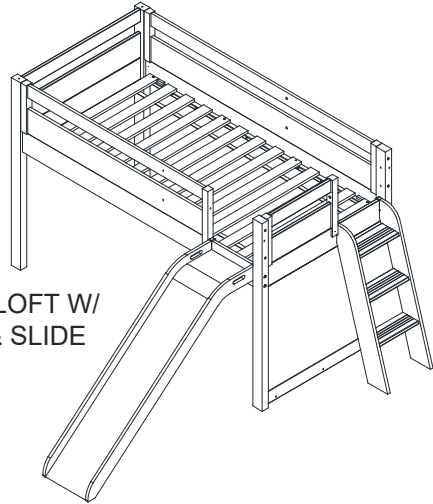


HIDDEN HILLS

TWIN LOW LOFT BED



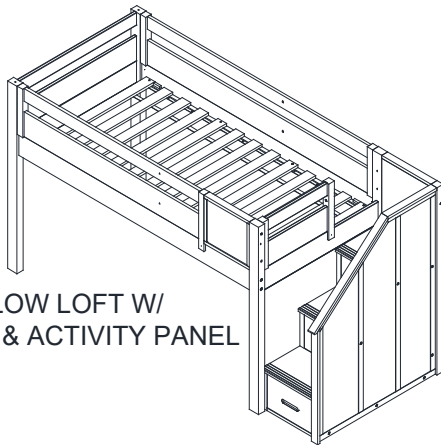
TWIN LOW LOFT WITH
LADDER & ACTIVITY PANEL



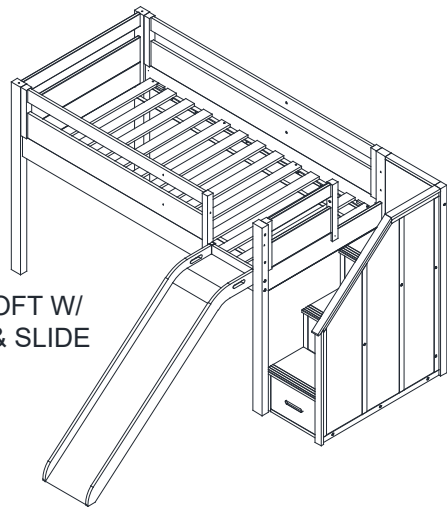
TWIN LOW LOFT W/
LADDER & SLIDE

3401066P - TWIN LOW LOFT WITH LADDER & ACTIVITY PANEL - MULTI			
NO	RTG SKU#	STYLE#	ITEM DESCRIPTION
1	34010669	HHHB6665BO	2-PC BED ENDS & 1 SET OF SLAT ROLL
2	34210663	HHHB6666BO	GUARD RAILS & SIDE RAILS
3	34710663	HHHB6669BO	LADDER
4	34910667	HHHB6672BO	ACTIVITY PANEL

3411066P - TWIN LOW LOFT W/ LADDER & SLIDE - MULTI			
NO	RTG SKU#	STYLE#	ITEM DESCRIPTION
1	34010669	HHHB6665BO	2-PC BED ENDS & 1 SET OF SLAT ROLL
2	34210663	HHHB6666BO	GUARD RAILS & SIDE RAILS
3	34710663	HHHB6669BO	LADDER
4	34810665	HHHB6670BO	SLIDE



TWIN LOW LOFT W/
STAIRCASE & ACTIVITY PANEL



TWIN LOW LOFT W/
STAIRCASE & SLIDE

3421066P - TWIN LOW LOFT W/ STAIRCASE & ACTIVITY PANEL - MULTI			
NO	RTG SKU#	STYLE#	ITEM DESCRIPTION
1	34010669	HHHB6665BO	2-PC BED ENDS & 1 SET OF SLAT ROLL
2	34210663	HHHB6666BO	GUARD RAILS & SIDE RAILS
3	34910667	HHHB6672BO	ACTIVITY PANEL
4	34510669	HHHB6668BO	STAIRCASE
5	34610661	HHHB6671BO	STAIRCASE HANDRAIL & BACK PANEL

3431066P - TWIN LOW LOFT W/ STAIRCASE & SLIDE - MULTI			
NO	RTG SKU#	STYLE#	ITEM DESCRIPTION
1	34010669	HHHB6665BO	2-PC BED ENDS & 1 SET OF SLAT ROLL
2	34210663	HHHB6666BO	GUARD RAILS & SIDE RAILS
3	34810665	HHHB6670BO	SLIDE
4	34510669	HHHB6668BO	STAIRCASE
5	34610661	HHHB6671BO	STAIRCASE HANDRAIL & BACK PANEL

PLEASE CONTACT YOUR RETAIL STORE WITH SERVICE OR PARTS REPLACEMENT REQUEST

This product is manufactured by (THII) for **ROOMS TO GO** | **KIDS**



HIDDEN HILLS

TWIN LOW LOFT BED

MATTRESS AND BUNKIE BOARD CHART

PACKAGE	DESCRIPTION	TOP BED
3401066P MULTI	TWIN LOW LOFT WITH LADDER & ACTIVITY PANEL	TWIN MATTRESS TWIN BUNKIE BOARD RECOMMENDED
3411066P MULTI	TWIN LOW LOFT WITH LADDER & SLIDE	TWIN MATTRESS TWIN BUNKIE BOARD RECOMMENDED
3421066P MULTI	TWIN LOW LOFT WITH STAIRCASE & ACTIVITY PANEL	TWIN MATTRESS TWIN BUNKIE BOARD RECOMMENDED
3431066P MULTI	TWIN LOW LOFT WITH STAIRCASE & SLIDE	TWIN MATTRESS TWIN BUNKIE BOARD RECOMMENDED

**Use only correct mattress dimensions and Bunkie board:
Twin size mattress- 74" - 75" long and 37.5 - 38.5" wide
Twin size Bunkie board - 74" long and 37.5" wide**

PLEASE CONTACT YOUR RETAIL STORE WITH SERVICE OR PARTS REPLACEMENT REQUEST

This product is manufactured by (THII) for **ROOMS TO GO** | **KIDS**



WARNING DANGER:

Failure to follow these warnings and assembly instructions could result in serious injury or death. To help prevent serious or fatal injuries from entrapment or falls:

-Read all instructions before assembling bunk bed and keep these instructions for future reference.

-Before each usage or assembly, inspect bunk bed for damaged hardware, loose joints, missing parts, or sharp edges. DO NOT use bunk bed if any parts are missing or broken.

-DO NOT use substitute parts. Contact your local Rooms To Go or visit www.ROOMSTOGO.com for replacement parts and instructional literature if needed.

-Follow the information on the warnings appearing on the upper bunk end structure and on the carton.

DO NOT REMOVE WARNING LABEL FROM BED

-Always use the recommended size mattresses or mattress supports, or both, to help prevent the likelihood of entrapment or falls.

-Ensure thickness of mattress and foundation combined does not exceed **10** inches and mattress surface is at least 5 inches (127mm) below upper edge of guardrails for the upper bunk.

-Do not allow children under 6 years of age to use the upper bunk.

-Periodically check and ensure that the guardrail, ladder, and other components are in their proper position, free from damage, and that all connectors are tight.

-Do not allow horseplay on or under the bed and prohibit jumping on the bed.

-Limit top bunk use to one person.

-Always use the ladder for entering and leaving the upper bunk.

-Use of a night light may provide added safety precaution for a child using the upper bunk.

-Always use guardrails on both long sides of the upper bunk. If the bunk bed will be placed next to the wall, the guardrail that runs the full length of the bed should be placed against the wall to prevent entrapment between the bed and wall.

-The use of water or sleep flotation mattresses is prohibited.

-This bunk bed meets all the requirement of ASTM F1427-21e1 standard consumer safety specification for bunk beds.



STRANGULATION HAZARD:

Never attach or hang items to any part of the bunk bed that are not designed for use with the bed; for example, but not limited to, hooks, belts and jump ropes.

PLEASE CONTACT YOUR RETAIL STORE WITH SERVICE OR PARTS REPLACEMENT REQUEST

This product is manufactured by (THII) for **ROOMSTOGO** | **KIDS**

Pre - Assembly

Warning:

The bed slats included with this bed will support a mattress alone, this bed does not require Bunkie boards (sold separately) but they are recommended.

Read all the instructions, identify all components, choose your configuration, and be sure you have all parts prior to assembly.

Two people are needed to assemble.

Tools Needed:

Phillips heads screwdriver (not included)

4mm allen wrench (included)

MAKE SURE ALL BOLTS ARE TIGHTENED COMPLETELY

CARE INSTRUCTIONS:

Dust with a clean, soft cloth. Avoid the use of all abrasive cleaners.

PLEASE CONTACT YOUR RETAIL STORE WITH SERVICE OR PARTS REPLACEMENT REQUEST.

This product is manufactured by (THII) for **ROOMS TO GO | KIDS**



HIDDEN HILLS

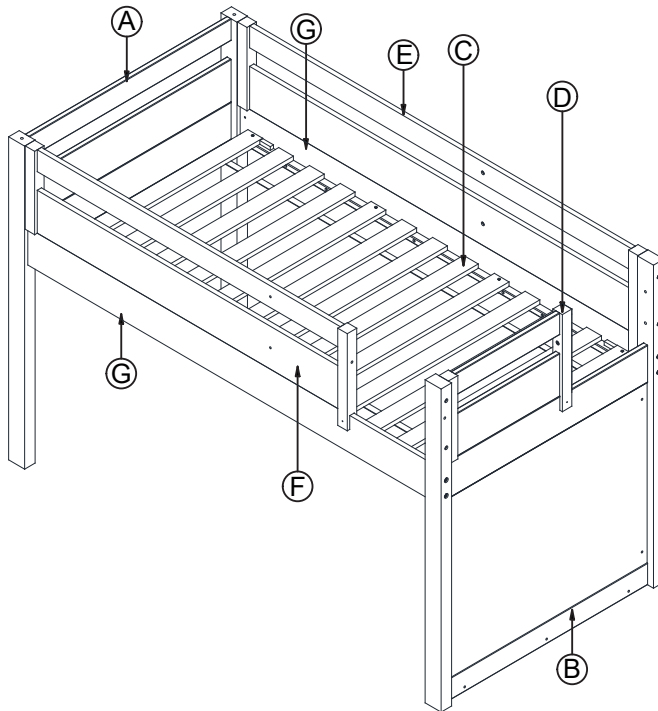
TWIN LOW LOFT BED

Thank you for purchasing this quality product. Be sure to check all packing material carefully for small parts which may have come loose inside the carton during shipment. Identify and count all parts and compare with the parts list below. Read all instructions before assembling and keep these instructions for future reference.

PARTS LIST

PART LIST IN THE BOX OF 2-PC BED ENDS & 1 SET OF SLAT ROLL			
NO	ITEM DESCRIPTION	IMAGE	Q'TY
A	BED END		1 PC
B	OPENING BED END		1 PC
C	SLAT ROLL (13 PCS)		1 SET
D	SMALL GUARD RAIL		1 PC

PART LIST IN THE BOX OF GUARD RAILS & SIDE RAILS			
NO	ITEM DESCRIPTION	IMAGE	Q'TY
E	LONG GUARD RAIL		1 PC
F	SHORT GUARD RAIL		1 PC
G	BED RAILS		2 PCS



PLEASE CONTACT YOUR RETAIL STORE WITH SERVICE OR PARTS REPLACEMENT REQUEST

This product is manufactured by (THII) for ROOMSTOGO | KIDS










HIDDEN HILLS

TWIN LOW LOFT BED

Thank you for purchasing this quality product. Be sure to check all packing material carefully for small parts which may have come loose inside the carton during shipment. Identify and count all parts and compare with the parts list below. Read all instructions before assembling and keep these instructions for future reference.

HARDWARE LIST

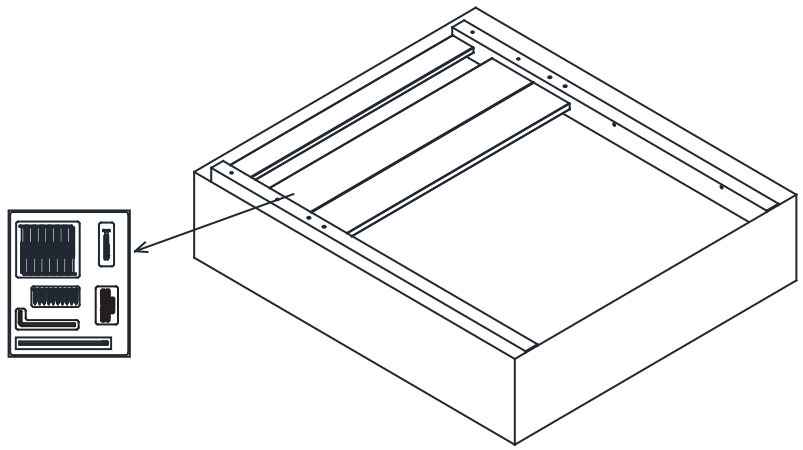
HARDWARE LIST IN THE BOX OF 2-PC BED ENDS & 1 SET OF SLAT ROLL			
NO	ITEM DESCRIPTION	IMAGE	Q'TY
1	Bolt 1/4"-20 x 90mm		14 PCS
2	Bolt 1/4"-20 x 55mm		1 PC
3	Wood Screw 4 x 30mm		10 PCS
4	Wood Dowel 8 x 30mm		5 PCS
5	Allen Key M4 x 110mm		1 PC
6	Straight Allen Key M4 x 110mm		1 PC

TOOLS REQUIRED	
	SCREWDRIVER (NOT INCLUDED)

Remark:
In case of using the drilling machines for the assembling, please use the Straight Allen Key (6) to replace Allen Key (5).

HARDWARE PACK LOCATION

RTG SKU#	STYLE#	COLOR	ITEM DESCRIPTION
34010669	HHHB6665BO	LIGHT OAK	2-PC BED ENDS & 1 SET OF SLAT ROLL



2-PC BED ENDS & 1 SET OF SLAT ROLL

PLEASE CONTACT YOUR RETAIL STORE WITH SERVICE OR PARTS REPLACEMENT REQUEST

This product is manufactured by (THII) for **ROOMS TO GO** | **KIDS**

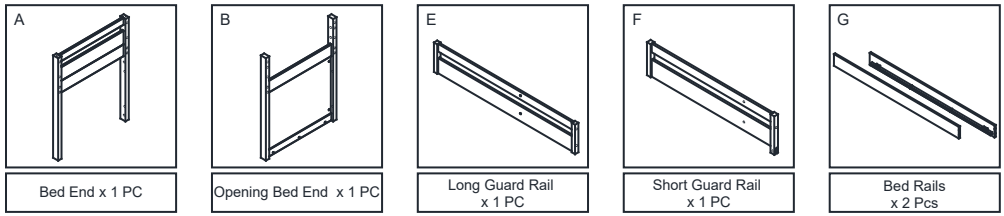


HIDDEN HILLS

TWIN LOW LOFT BED

Thank you for purchasing this quality product. Be sure to check all packing material carefully for small parts which may have come loose inside the carton during shipment. Identify and count all parts and compare with the parts list below. Read all instructions before assembling and keep these instructions for future reference.

Assembly Instructions:

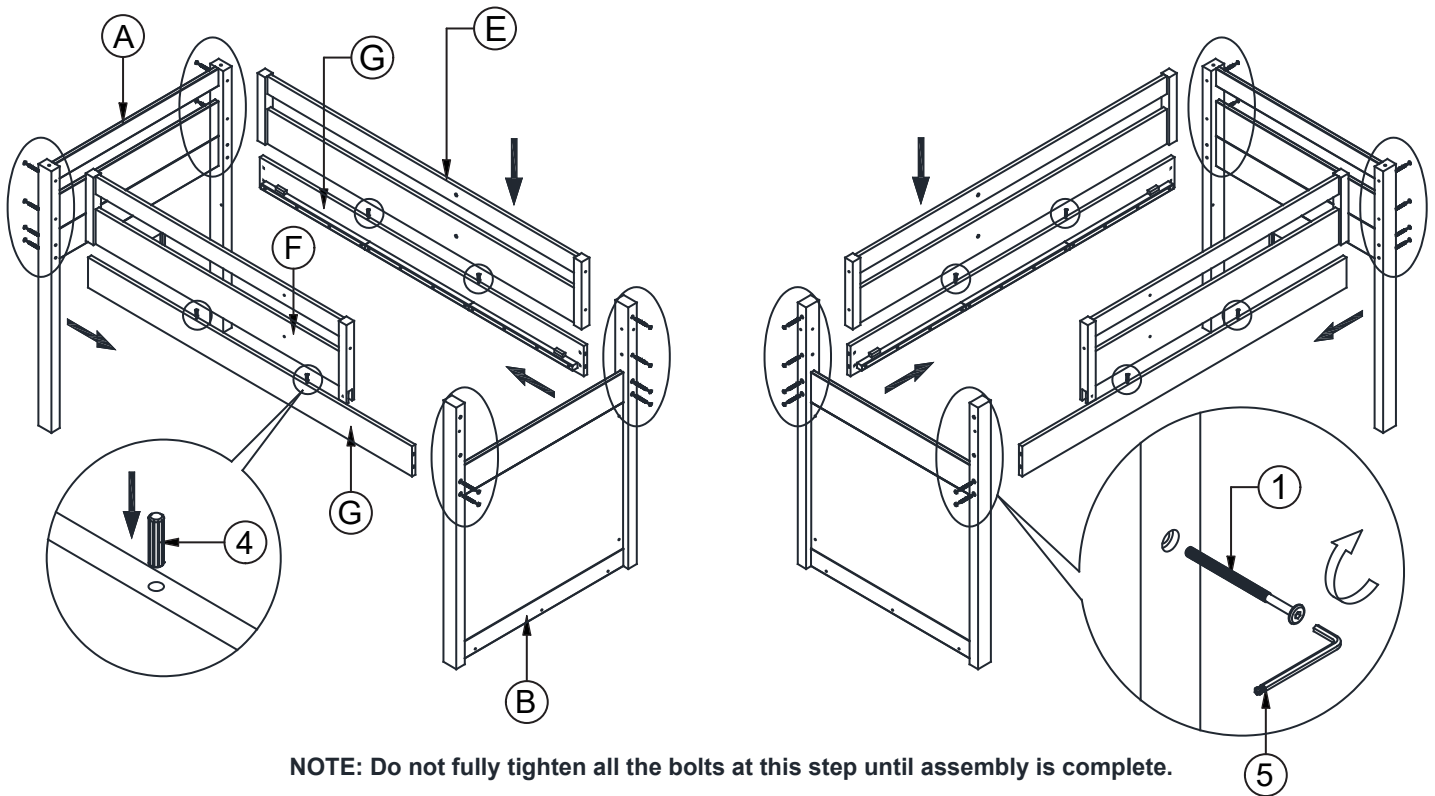


Note: The bed end and opening bed end are reversible, install them in the preferred position. For details, refer to the Ladder or Slide assembly instructions.

STEP 1

Opening Bed End on the RIGHT side

Opening Bed End on the LEFT side



Assemble the long and short guard rails and the side rails to the both bed ends.

PLEASE CONTACT YOUR RETAIL STORE WITH SERVICE OR PARTS REPLACEMENT REQUEST

This product is manufactured by (THII) for ROOMSTOGO | KIDS

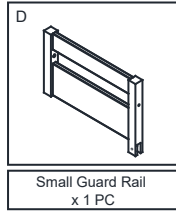


HIDDEN HILLS

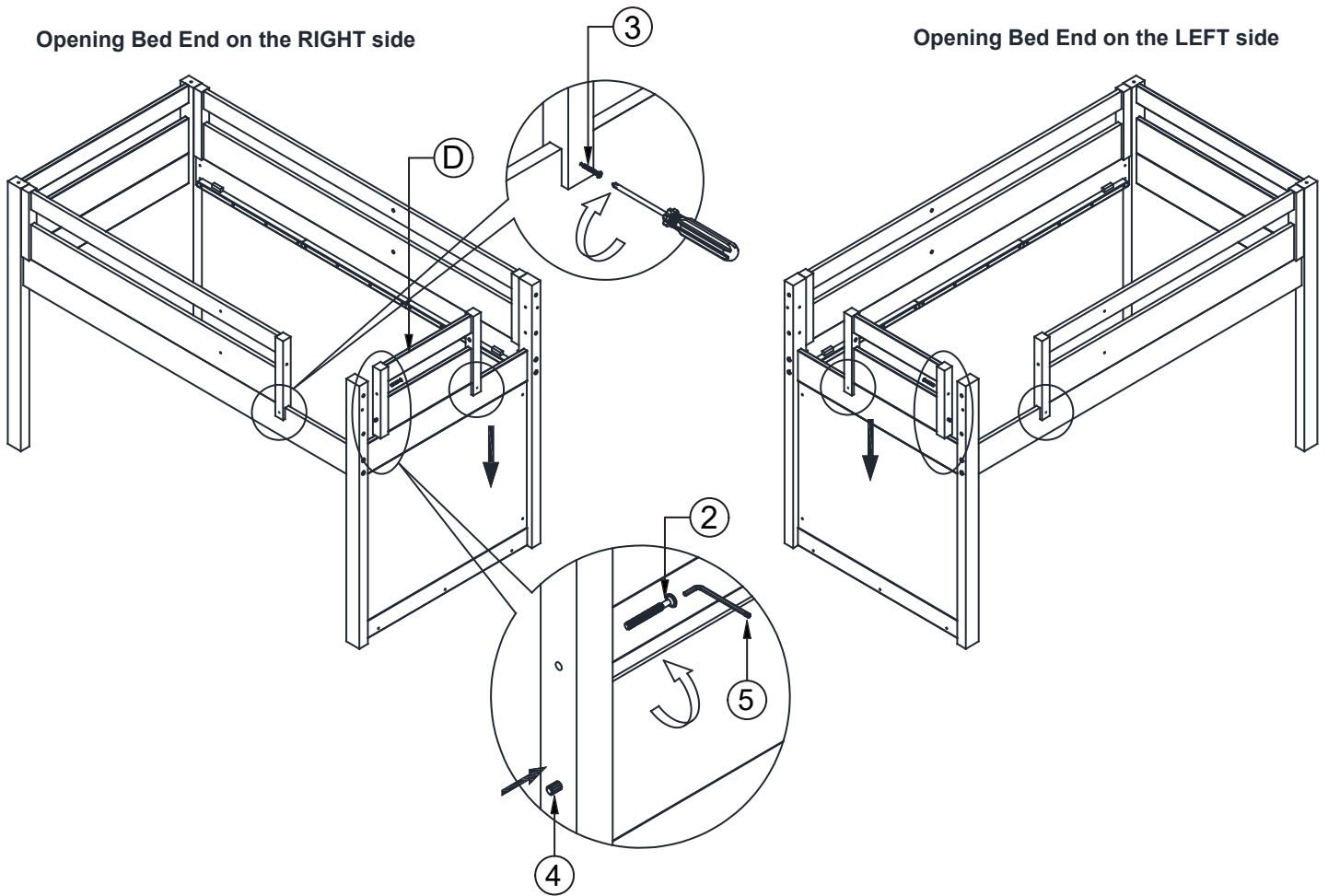
TWIN LOW LOFT BED

Thank you for purchasing this quality product. Be sure to check all packing material carefully for small parts which may have come loose inside the carton during shipment. Identify and count all parts and compare with the parts list below. Read all instructions before assembling and keep these instructions for future reference.

Assembly Instructions:



STEP 2 NOTE: Fully tighten all bolts at this step .



Assemble small guard rail to the opening bed end.

PLEASE CONTACT YOUR RETAIL STORE WITH SERVICE OR PARTS REPLACEMENT REQUEST

This product is manufactured by (THII) for ROOMSTOGO | KIDS

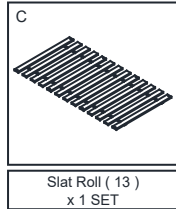


HIDDEN HILLS

TWIN LOW LOFT BED

Thank you for purchasing this quality product. Be sure to check all packing material carefully for small parts which may have come loose inside the carton during shipment. Identify and count all parts and compare with the parts list below. Read all instructions before assembling and keep these instructions for future reference.

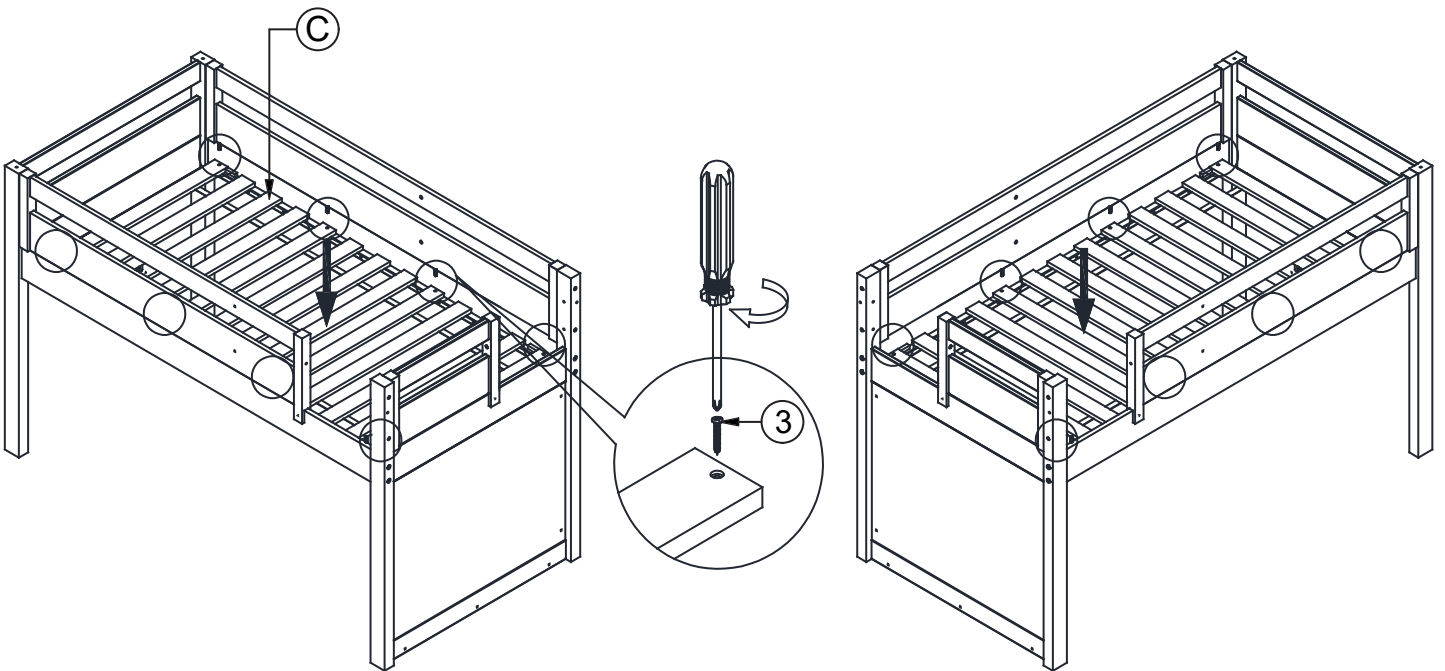
Assembly Instructions:



STEP 3

Opening Bed End on the RIGHT side

Opening Bed End on the LEFT side



Assemble slat roll (13 PCS) to the bed rails.

PLEASE CONTACT YOUR RETAIL STORE WITH SERVICE OR PARTS REPLACEMENT REQUEST

This product is manufactured by (THII) for ROOMSTOGO | KIDS