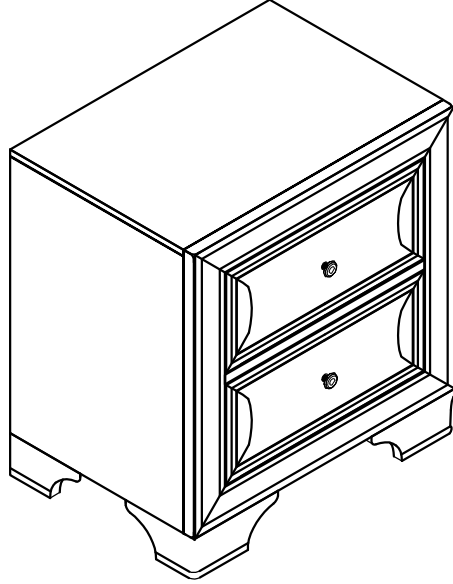






MILL VALLEY JR

2 DRAWERS NIGHTSTAND



2 DRAWERS NIGHTSTAND - WHITE / WASHED WHITE					
NO.	RTG SKU#	STYLE#	ITEM DESCRIPTION	IMAGE	Qty
A	34221921	C2192Y-020	NIGHTSTAND, 2 DRAWERS		1PC

2 DRAWER NIGHTSTAND - CHERRY / BROWN CHERRY					
NO.	RTG SKU#	STYLE#	ITEM DESCRIPTION	IMAGE	Qty
A	34221933	C2193Y-020	NIGHTSTAND, 2 DRAWERS		1PC

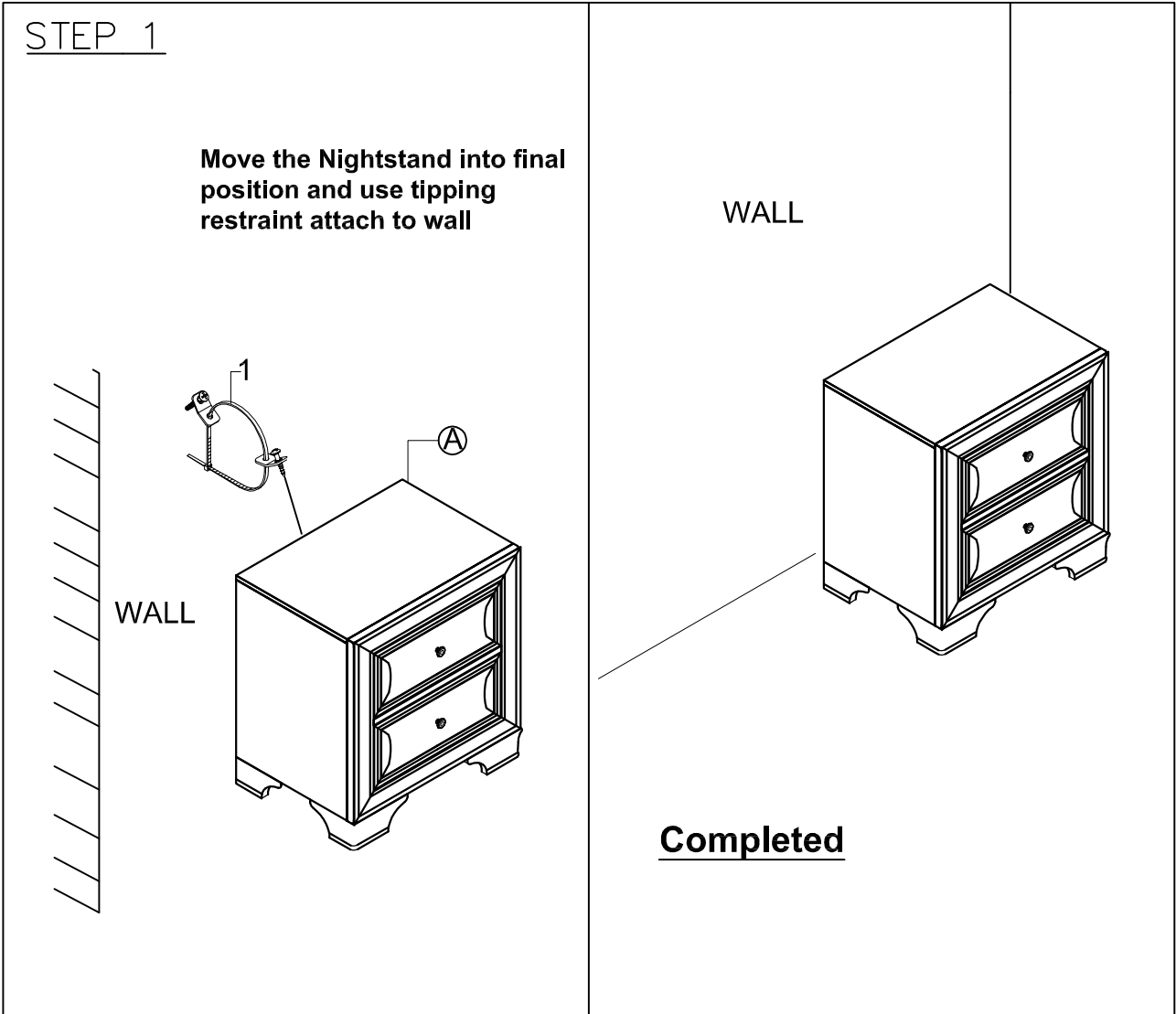
HARDWARE LIST				TOOLS REQUIRED(NOT PROVIDED)	
NO.	ITEM DESCRIPTION	IMAGE	Qty		
1	TIPPING RESTRAINT		1SET	PHILLIPS SCREWDRIVER 	

DO NOT USE SUBSTITUTE PARTS. PLEASE CONTACT YOUR RETAIL STORE OR WWW.ROOMSTOGO.COM WITH SERVICE OR PARTS REPLACEMENT REQUEST.

This product is manufactured by LFST for **ROOMS TO GO** | **KIDS**

Thank you for purchasing this quality product. Be sure to check all packing material carefully for small parts which may have come loose inside the carton during shipment. Identify and count all parts and compare with the parts list. Read all instructions before assembling nightstand and keep these instructions for future reference

ASSEMBLY INSTRUCTIONS



DO NOT USE SUBSTITUTE PARTS. PLEASE CONTACT YOUR RETAIL STORE OR WWW.ROOMSTOGO.COM WITH SERVICE OR PARTS REPLACEMENT REQUEST.

This product is manufactured by LFST for **ROOMS TO GO | KIDS**