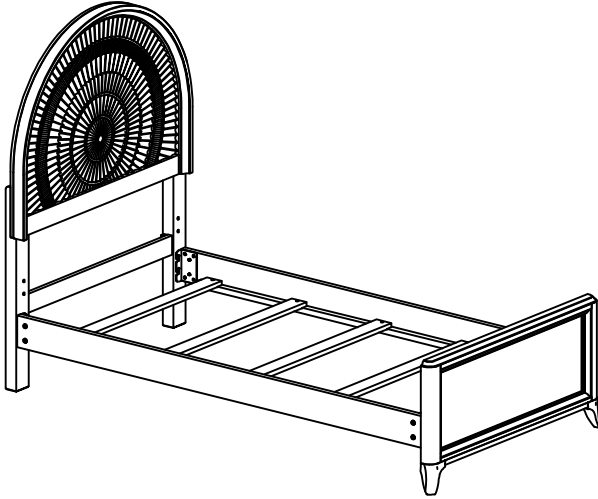
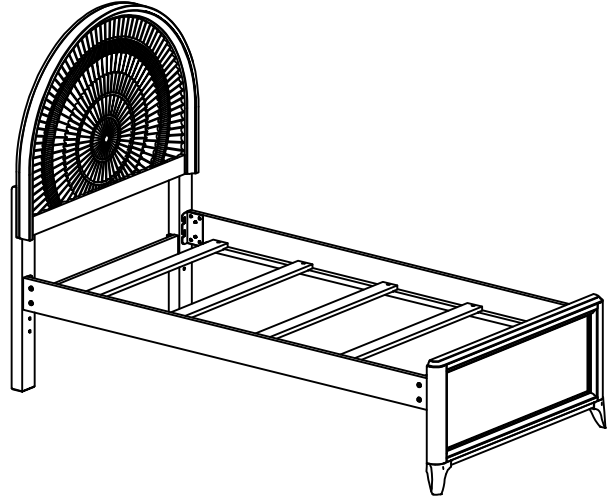


VIVIEN

TWIN ARCHED PANEL BED

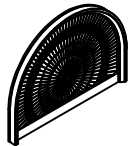
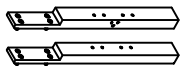
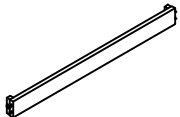


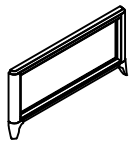

LOW RAIL POSITION




HIGH RAIL POSITION

3422687P - TWIN ARCHED PANEL BED - WIREBRUSH GRAY			
SKU #	ITEM#	ITEM DESCRIPTION	Q'TY
35126879	2687-19H	TWIN ARCHED PANEL HEADBOARD	1
34726870	2687-17F	TWIN PANEL FOOTBOARD	1
35026877	2687-17R	TWIN / FULL RAILS	1

TWIN ARCHED PANEL HEADBOARD PARTS LIST			
A	Headboard		1PC
B	Headboard Leg (L / R)		2PCS
C	Stretcher		1PC

TWIN PANEL FOOTBOARD PARTS LIST			
D	Footboard		1PC
E	Slat		5PCS


TWIN / FULL RAILS PARTS LIST			
F	Twin / Full Rails		2PCS


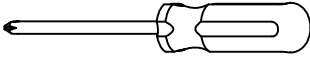
This product is manufactured by HOUS for **ROOMS TO GO® | KIDS**

DO NOT USE SUBSTITUTE PARTS. PLEASE CONTACT YOUR RETAIL STORE OR WWW.ROOMSTOGO.COM WITH SERVICE OR PARTS REPLACEMENT REQUEST

VIVIEN

TWIN ARCHED PANEL BED

TWIN ARCHED PANEL HEADBOARD HARDWARE LIST			Q'TY
1	Allen key 4*74*29mm		1PC

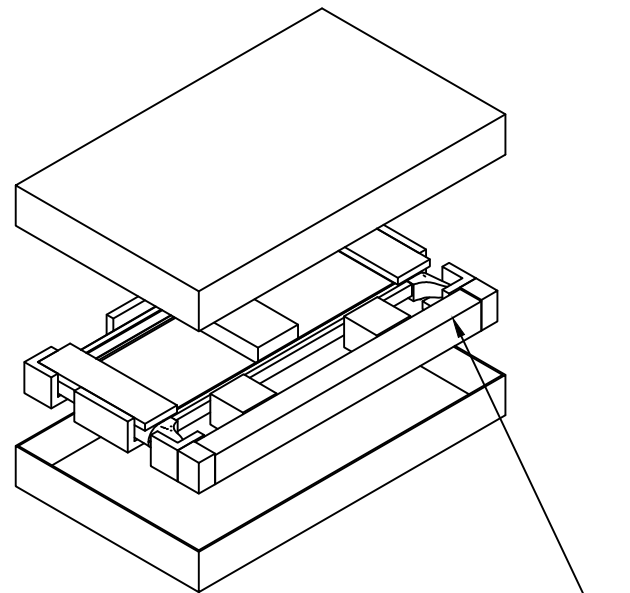
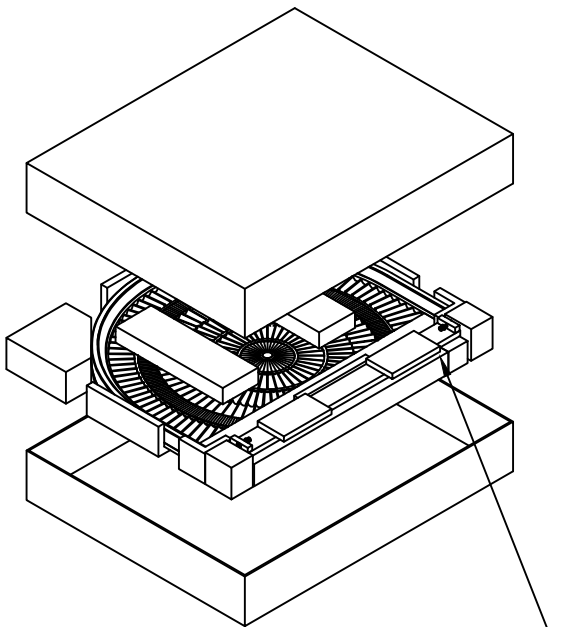
TWIN PANEL FOOTBOARD HARDWARE LIST			Q'TY
2	Screw #8*1-3/16"		10PCS
3	Screwdriver (not provided)		

Hardware Pack Location(s):

SKU #	ITEM#	COLOR	ITEM DESCRIPTION
35126879	2687-19H	WIREBRUSH GRAY	TWIN ARCHED PANEL HEADBOARD
34726870	2687-17F	WIREBRUSH GRAY	TWIN PANEL FOOTBOARD

HEADBOARD BOX

FOOTBOARD BOX



HARDWARE PACKAGE HERE

HARDWARE PACKAGE HERE

This product is manufactured by HOUS for **ROOMS TO GO®** | **KIDS**

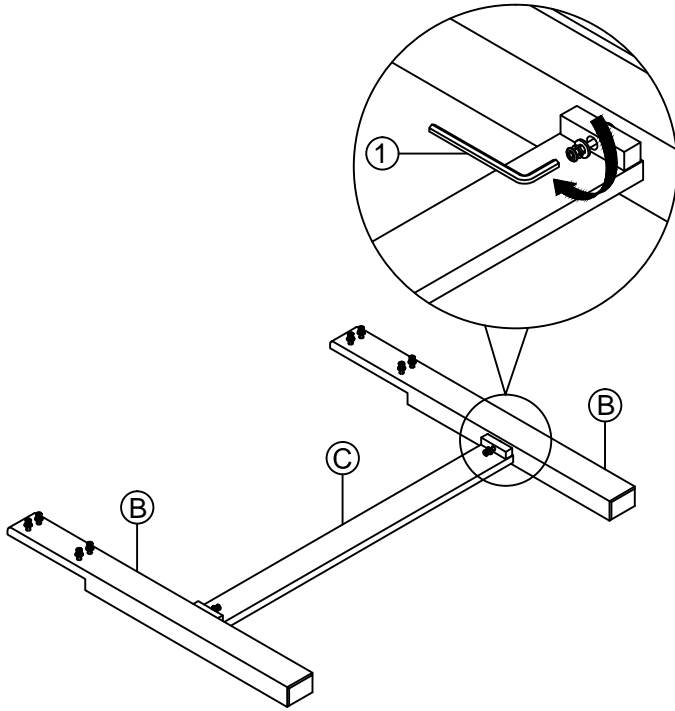
DO NOT USE SUBSTITUTE PARTS. PLEASE CONTACT YOUR RETAIL STORE OR WWW.ROOMSTOGO.COM WITH SERVICE OR PARTS REPLACEMENT REQUEST

ASSEMBLY INSTRUCTION

***Caution: Please read all instructions carefully before starting the assembly process. These parts are cumbersome and heavy. Therefore, two people are recommended in order to prevent personal injury and ensure the parts are not damaged during the assembly.

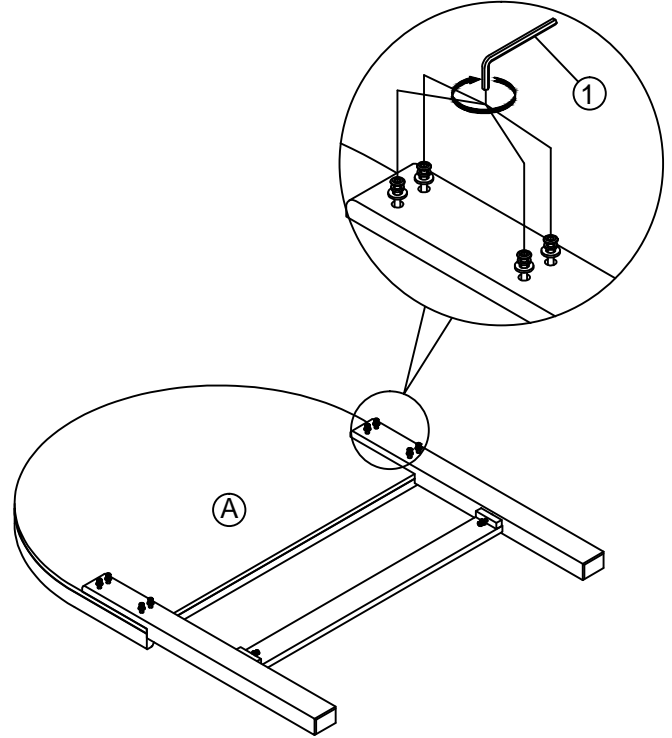
Remark: The bolts were pre-installed on the stretcher.

Step 1: Put stretcher (C) between left & right headboard leg (B) by using allen key (1) tighten the bolts.



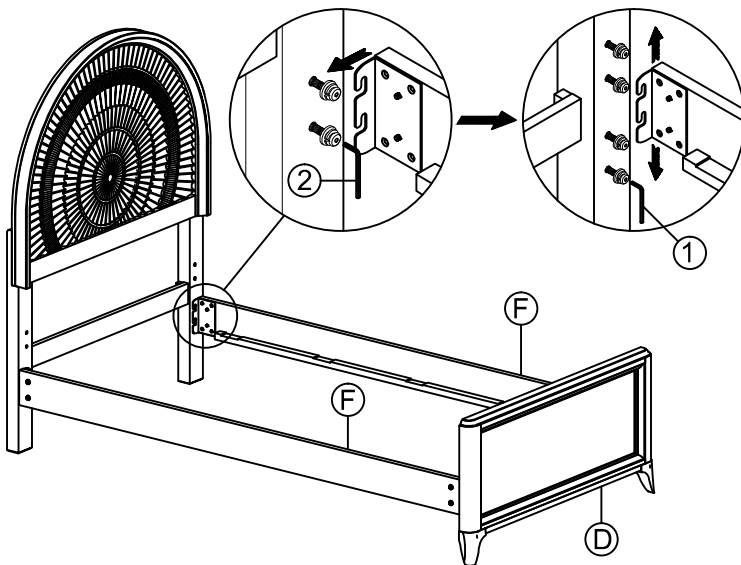
Remark: The bolts were pre-installed on headboard leg.

Step 2: Insert left & right headboard leg (B) into the headboard (A) by using allen key (1) tighten the bolts.

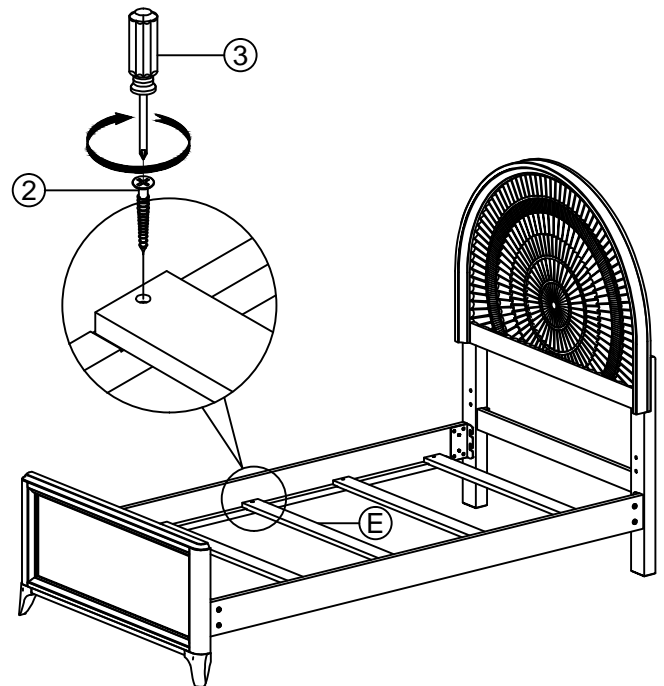


Step 3: Loosen the hanger bolts first to make room for the hooks to engage.

After the hooks are securely hang in place, tighten the hanger bolts. Move the side rails up and down to use the high or low mattress position. Notes: Use Upper Setting (HIGH RAIL POSITION) when using with a trundle.



Step 4: Put slat (E) on side rails (F) and tighten screw (2) by using screwdriver (not provided).



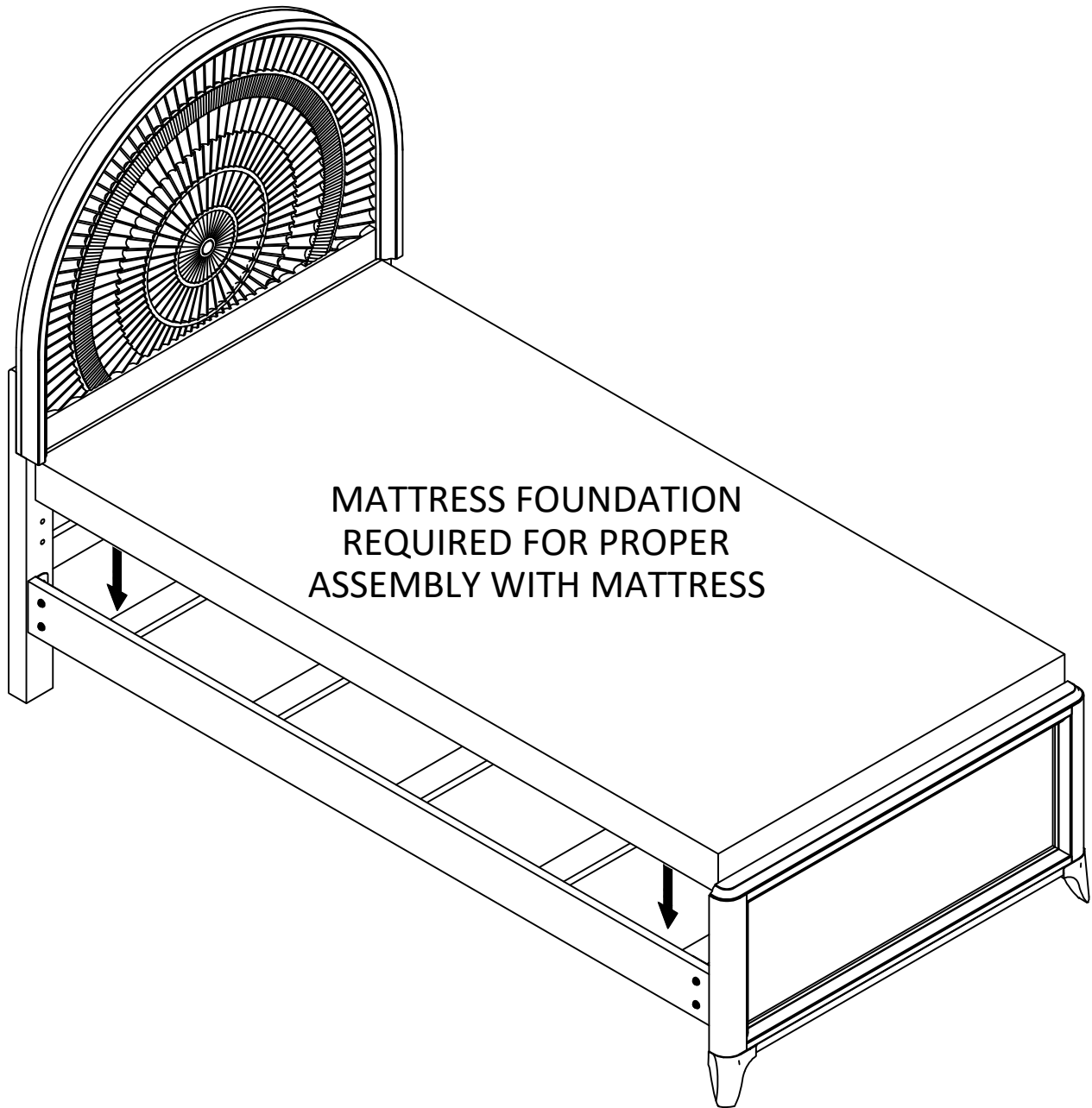
This product is manufactured by HOUS for ROOMS TO GO® | KIDS

DO NOT USE SUBSTITUTE PARTS. PLEASE CONTACT YOUR RETAIL STORE OR WWW.ROOMSTOGO.COM WITH SERVICE OR PARTS REPLACEMENT REQUEST

ASSEMBLY INSTRUCTION

***Caution: Please read all instructions carefully before starting the assembly process. These parts are cumbersome and heavy. Therefore, two people are recommended in order to prevent personal injury and ensure the parts are not damaged during the assembly.

Remark: Mattress Foundation sold separately.



This product is manufactured by HOUS for **ROOMS TO GO®** | **KIDS**

DO NOT USE SUBSTITUTE PARTS. PLEASE CONTACT YOUR RETAIL STORE OR WWW.ROOMSTOGO.COM
WITH SERVICE OR PARTS REPLACEMENT REQUEST