



## **WOODLAND ADVENTURES**

Nightstand

Model: DP-NS-31072D-ELM

(NS-31072D)

RTG SKU #: 34231085

### **Assembly Instruction**

Congratulations on your purchase of a Westwood product. We take great pride in the quality and design of our furniture. It is important that you read these instructions carefully and completely to ensure that this product functions as it was designed.

After opening the package, check to see that all the parts are present. If you think something is missing, please contact your retailer, and they can arrange to have the missing parts quickly replaced. You can also contact us directly, by calling 1-908-719-4707, or emailing [support@westwoodbaby.com](mailto:support@westwoodbaby.com)

If any aspect of these instructions is unclear, please contact your retailer or Westwood Design for assistance.



635 N. Billy Mitchell Rd.,  
Salt Lake City, UT 84116  
Phone: 908-719-4707

[www.westwoodbaby.com](http://www.westwoodbaby.com)

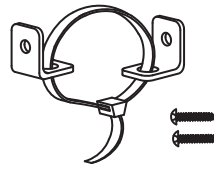
# Required Parts



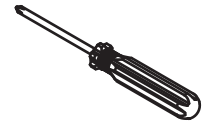
( A ) Nightstand (x1)



( B ) Bunt Foot (x4)

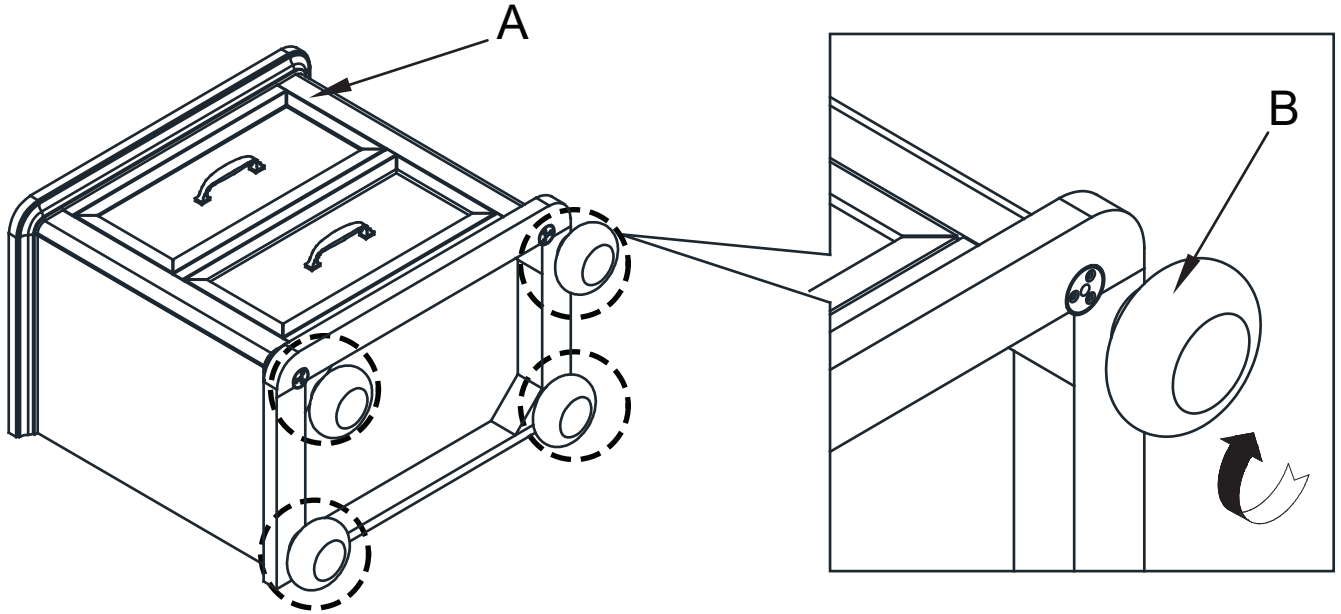


Anti tipping kit (x1)



Screwdriver is not included

## Step 1



NOTE: Anti tipping kit hardware pack attached on behind of the case pieces.

