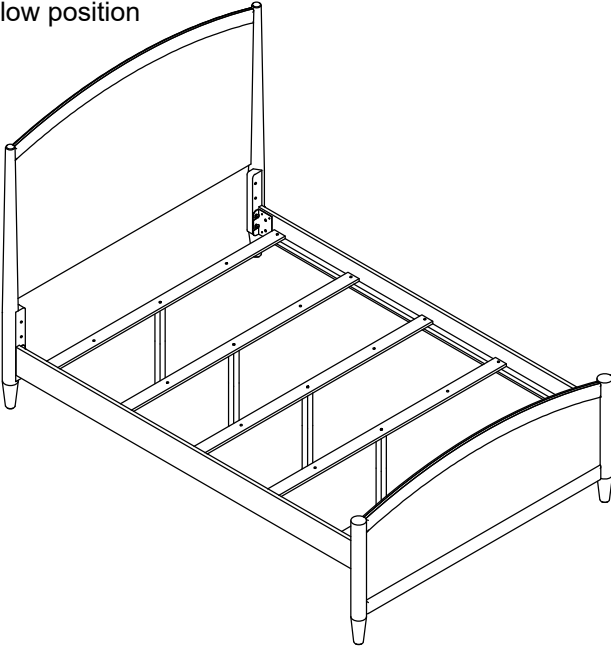


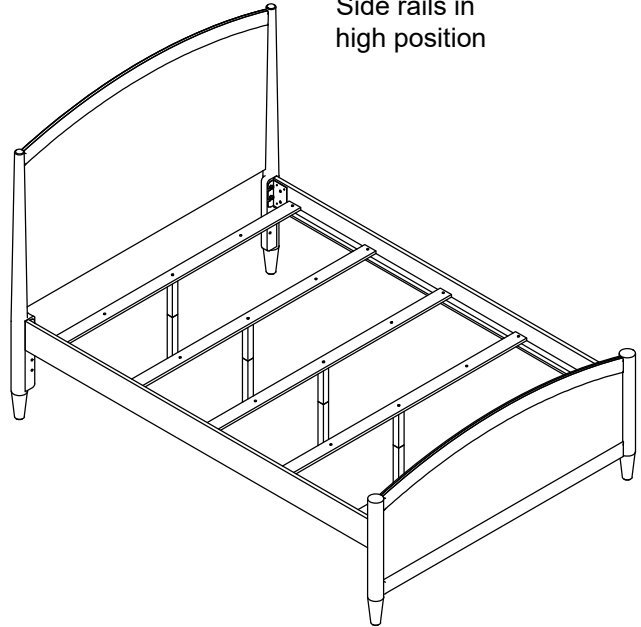
MODERN COLORS

FULL PANEL BED

OPTION 1:
Side rails in
low position



OPTION 2:
Side rails in
high position



| 3424254P - FULL PANEL BED - WHITE | | 3424253P - FULL PANEL BED - LIGHT GRAY | | DESCRIPTION |
|-----------------------------------|----------|--|----------|-------------------------------|
| SKU | STYLE# | SKU | STYLE# | |
| 35042542 | 425FH-W | 35042530 | 425FH-G | FULL PANEL HEADBOARD |
| 35142544 | 425FF-W | 35142532 | 425FF-G | FULL PANEL FOOTBOARD W/ SLATS |
| 35242546 | 425TFR-W | 35242534 | 425TFR-G | 2 PC TWIN/FULL SIDE RAILS |

| 3424257P - FULL PANEL BED - PINK | | 3424251P - FULL PANEL BED - IRON ORE | | DESCRIPTION |
|----------------------------------|-----------|--------------------------------------|-----------|-------------------------------|
| SKU | STYLE# | SKU | STYLE# | |
| 35042578 | 425FH-PK | 35042516 | 425FH-IO | FULL PANEL HEADBOARD |
| 35142570 | 425FF-PK | 35142518 | 425FF-IO | FULL PANEL FOOTBOARD W/ SLATS |
| 35242572 | 425TFR-PK | 35242510 | 425TFR-IO | 2 PC TWIN/FULL SIDE RAILS |

| 3424252P - FULL PANEL BED - SLATE BLUE | | DESCRIPTION |
|--|-----------|-------------------------------|
| SKU | STYLE# | |
| 35042528 | 425FH-SB | FULL PANEL HEADBOARD |
| 35142520 | 425FF-SB | FULL PANEL FOOTBOARD W/ SLATS |
| 35242522 | 425TFR-SB | 2 PC TWIN/FULL SIDE RAILS |

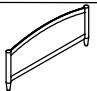


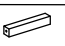
DO NOT USE SUBSTITUTE PARTS. PLEASE CONTACT YOUR RETAIL STORE OR WWW.ROOMSTOGO.COM WITH SERVICE OR PARTS REPLACEMENT REQUEST.

This product is manufactured by (JSFC) for **ROOMS TO GO® | KIDS**


MODERN COLORS

FULL PANEL BED

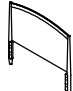
FOOTBOARD PART LIST

| | ITEM DESCRIPTION | IMAGE | QTY |
|---|-------------------|---|-------|
| A | FOOTBOARD |  | 1 PC |
| C | SLAT |  | 5 PCS |
| E | LONG SUPPORT LEG |  | 5 PCS |
| F | SHORT SUPPORT LEG |  | 5 PCS |


TWIN/FULL SIDE RAIL PART LIST

| | ITEM DESCRIPTION | IMAGE | QTY |
|---|------------------|---|-------|
| B | SIDE RAIL |  | 2 PCS |



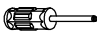
HEADBOARD PART LIST

| | ITEM DESCRIPTION | IMAGE | QTY |
|---|------------------|---|------|
| G | HEADBOARD |  | 1 PC |


HEADBOARD HARDWARE LIST

| | ITEM DESCRIPTION | IMAGE | QTY |
|---|------------------|---|------|
| 1 | ALLEN KEY 4mm |  | 1 PC |


FOOTBOARD HARDWARE LIST

| | ITEM DESCRIPTION | IMAGE | QTY |
|---|------------------------------------|---|--------|
| 1 | ALLEN KEY 4mm |  | 1 PC |
| 2 | SCREW M4 x 1-1/4" |  | 10 PCS |
| 3 | PHILIPS SCREWDRIVER (NOT PROVIDED) |  | 1 PC |

FOOTBOARD PRE-ASSEMBLED HARDWARE LIST

| | ITEM DESCRIPTION | IMAGE | QTY |
|---|------------------------------|---|-------|
| 4 | BOLT Ø5/16*13*3/4L |  | 4 PCS |
| | SPRING WASHER Ø5/16*12*1.2MM | | 4 PCS |
| | FLAT WASHER Ø5/16*19*1.5MM | | 4 PCS |

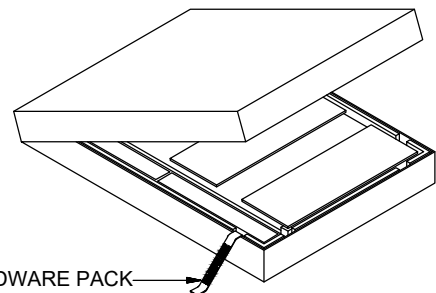
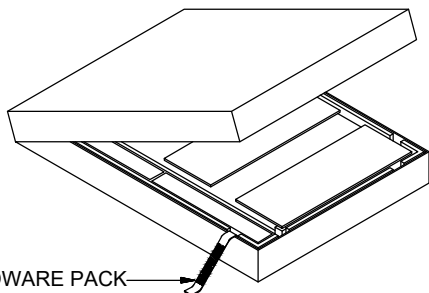
HEADBOARD PRE-ASSEMBLED HARDWARE LIST

| | DESCRIPTION | IMAGE | QTY |
|---|------------------------------|--|-------|
| 5 | BOLT Ø5/16 *13* 3/4L |  | 4 PCS |
| | SPRING WASHER Ø5/16*12*1.2MM | | 4 PCS |
| | FLAT WASHER Ø5/16*19*1.5MM | | 4 PCS |

HARDWARE PACK LOCATION

| SKU# | STYLE | COLOR | ITEM DESCRIPTION |
|----------|----------|------------|-------------------------------|
| 35142544 | 425FF-W | WHITE | FULL PANEL FOOTBOARD W/ SLATS |
| 35142532 | 425FF-G | LIGHT GRAY | FULL PANEL FOOTBOARD W/ SLATS |
| 35142570 | 425FF-PK | PINK | FULL PANEL FOOTBOARD W/ SLATS |
| 35142518 | 425FF-IO | IRON ORE | FULL PANEL FOOTBOARD W/ SLATS |
| 35142520 | 425FF-SB | SLATE BLUE | FULL PANEL FOOTBOARD W/ SLATS |

| SKU# | STYLE | COLOR | ITEM DESCRIPTION |
|----------|----------|------------|----------------------|
| 35042542 | 425FH-W | WHITE | FULL PANEL HEADBOARD |
| 35042530 | 425FH-G | LIGHT GRAY | FULL PANEL HEADBOARD |
| 35042578 | 425FH-PK | PINK | FULL PANEL HEADBOARD |
| 35042516 | 425FH-IO | IRON ORE | FULL PANEL HEADBOARD |
| 35042528 | 425FH-SB | SLATE BLUE | FULL PANEL HEADBOARD |



DO NOT USE SUBSTITUTE PARTS. PLEASE CONTACT YOUR RETAIL STORE OR WWW.ROOMSTOGO.COM WITH SERVICE OR PARTS REPLACEMENT REQUEST.

This product is manufactured by (JSFC) for **ROOMS TO GO® | KIDS**

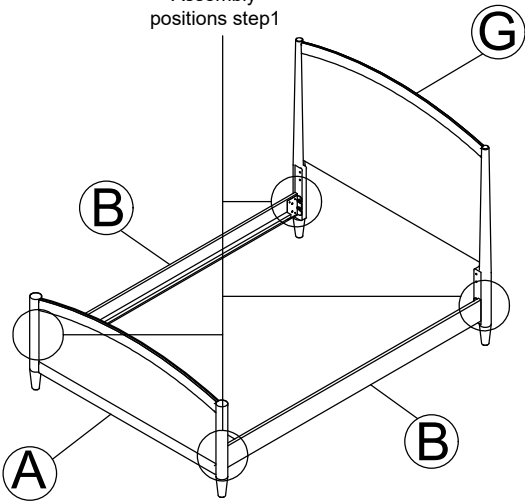
Thank you for purchasing this quality product. Be sure to check all packing material carefully for small parts which may have come loose inside the carton during shipment. Identify and count all parts and compare with the parts list below. Read all instructions before assembling bed and keep these instruction for future reference.

Assembly Instructions:

STEP 1

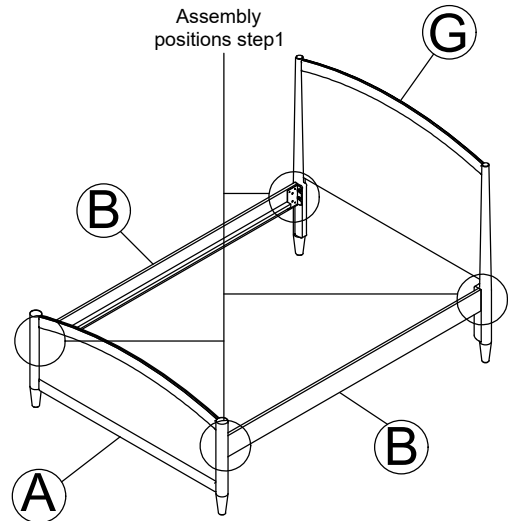
OPTION 1

Assembly positions step1

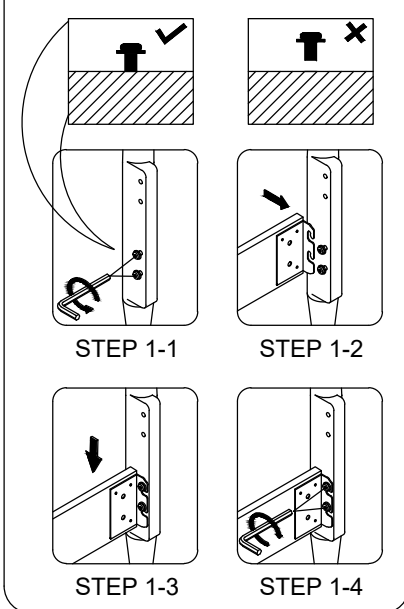


OPTION 2

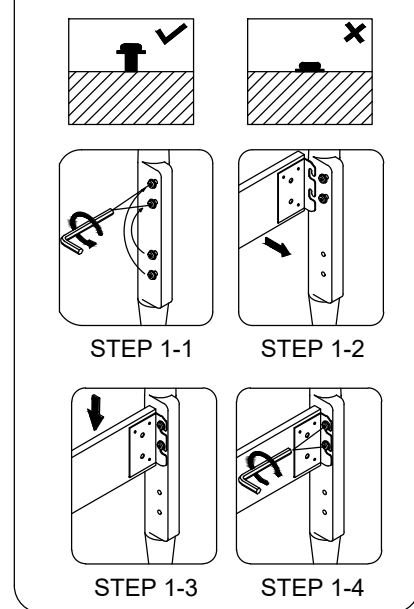
Assembly positions step1



STEP 1 FOR OPTION 1 SIDE RAILS IN LOW POSITION



STEP 1 FOR OPTION 2 SIDE RAILS IN HIGH POSITION



Select the appropriate side rail position. Attach Headboard(G) and Footboard (A) to the Side Rail (B): Loosen pre-assembled bolts from the Headboard legs and Footboard legs to secure. Tighten bolts using Allen Key(1) provided.

DO NOT USE SUBSTITUTE PARTS. PLEASE CONTACT YOUR RETAIL STORE OR WWW.ROOMSTOGO.COM WITH SERVICE OR PARTS REPLACEMENT REQUEST.

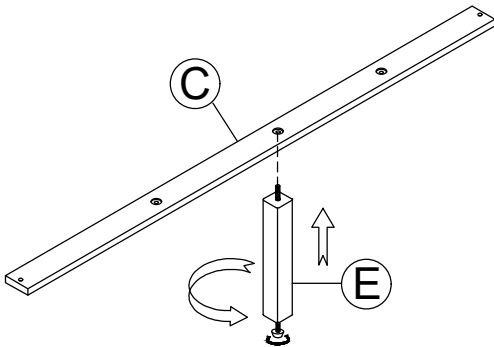
This product is manufactured by (JSFC) for **ROOMS TO GO® | KIDS**

Thank you for purchasing this quality product. Be sure to check all packing material carefully for small parts which may have come loose inside the carton during shipment. Identify and count all parts and compare with the parts list below. Read all instructions before assembling bed and keep these instruction for future reference.

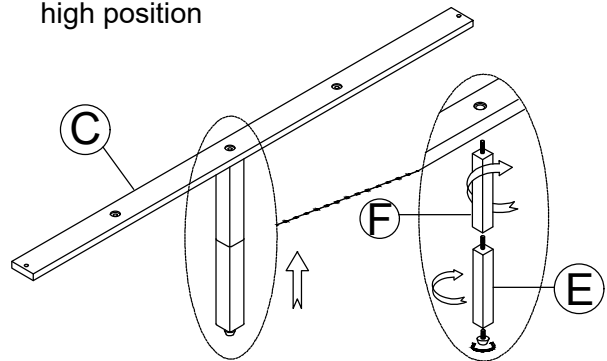
Assembly Instructions:

STEP 2

OPTION 1:
Side rails in
low position



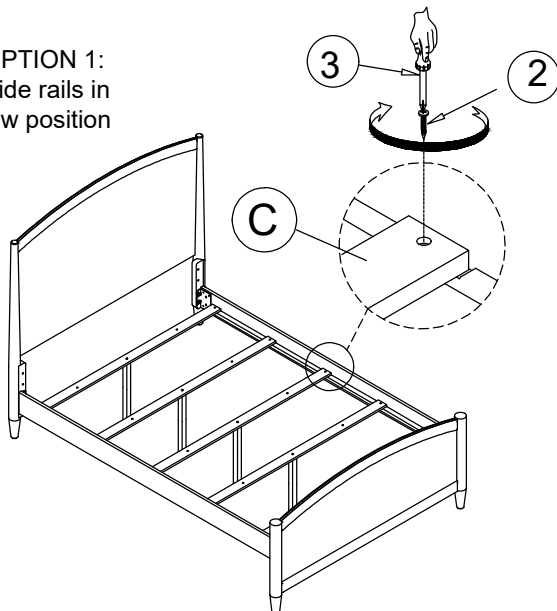
OPTION 2:
Side rails in
high position



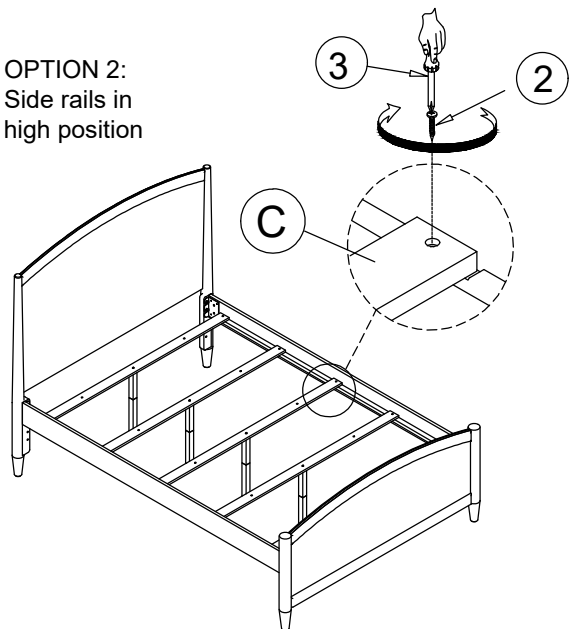
OPTION 1 - Secure long support leg (E) to the Slat (C) by screwing into place.
OPTION 2 - Secure long support leg (E) and short support leg(F) to the Slat (C) by screwing into place.

STEP 3

OPTION 1:
Side rails in
low position



OPTION 2:
Side rails in
high position



Attach Slats (C) to Side Rail (B) and Tighten the screws (2) to the Side Rail (B) with a Philips Screwdriver (3) (Not provided) by screwing the screws into place.

DO NOT USE SUBSTITUTE PARTS. PLEASE CONTACT YOUR RETAIL STORE OR WWW.ROOMSTOGO.COM WITH SERVICE OR PARTS REPLACEMENT REQUEST.

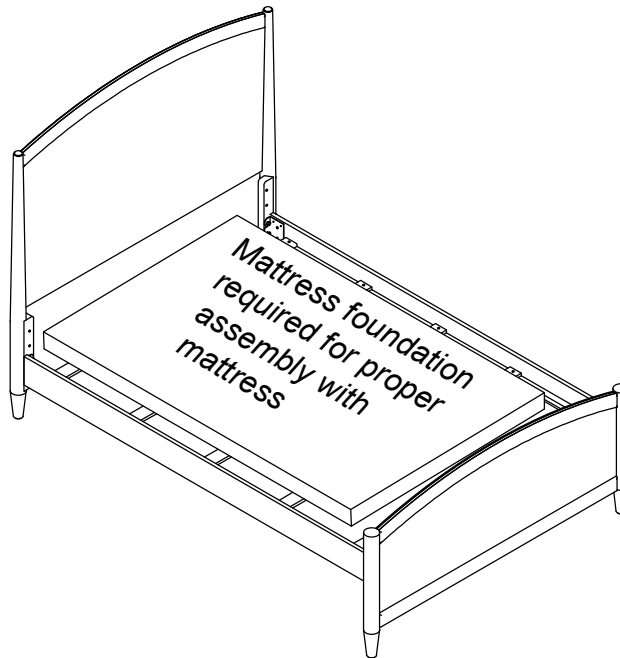
This product is manufactured by (JSFC) for **ROOMS TO GO® | KIDS**

Thank you for purchasing this quality product. Be sure to check all packing material carefully for small parts which may have come loose inside the carton during shipment. Identify and count all parts and compare with the parts list below. Read all instructions before assembling bed and keep these instruction for future reference.

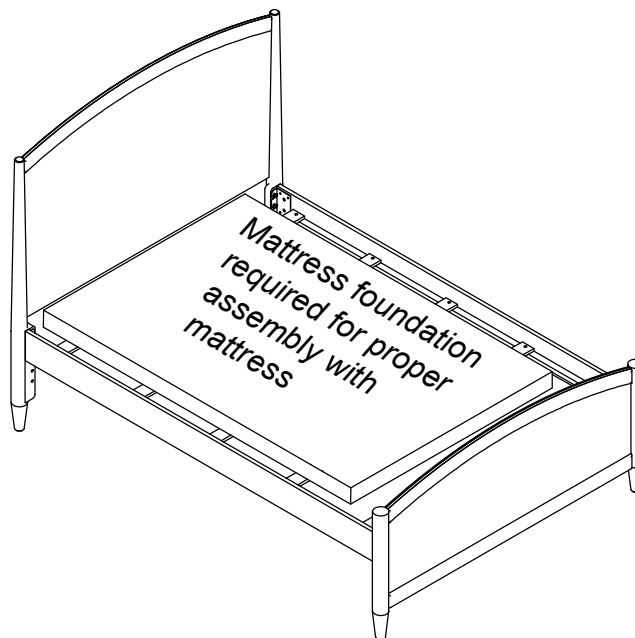
Assembly Instructions:

STEP 1

OPTION 1:
Side rails in
low position



OPTION 2:
Side rails in
high position



A mattress foundation is required for proper assembly with mattress. Place the mattress foundation (not provided) on top.

DO NOT USE SUBSTITUTE PARTS. PLEASE CONTACT YOUR RETAIL STORE OR WWW.ROOMSTOGO.COM WITH SERVICE OR PARTS REPLACEMENT REQUEST.

This product is manufactured by (JSFC) for **ROOMS TO GO® | KIDS**