



# ASSEMBLY INSTRUCTIONS

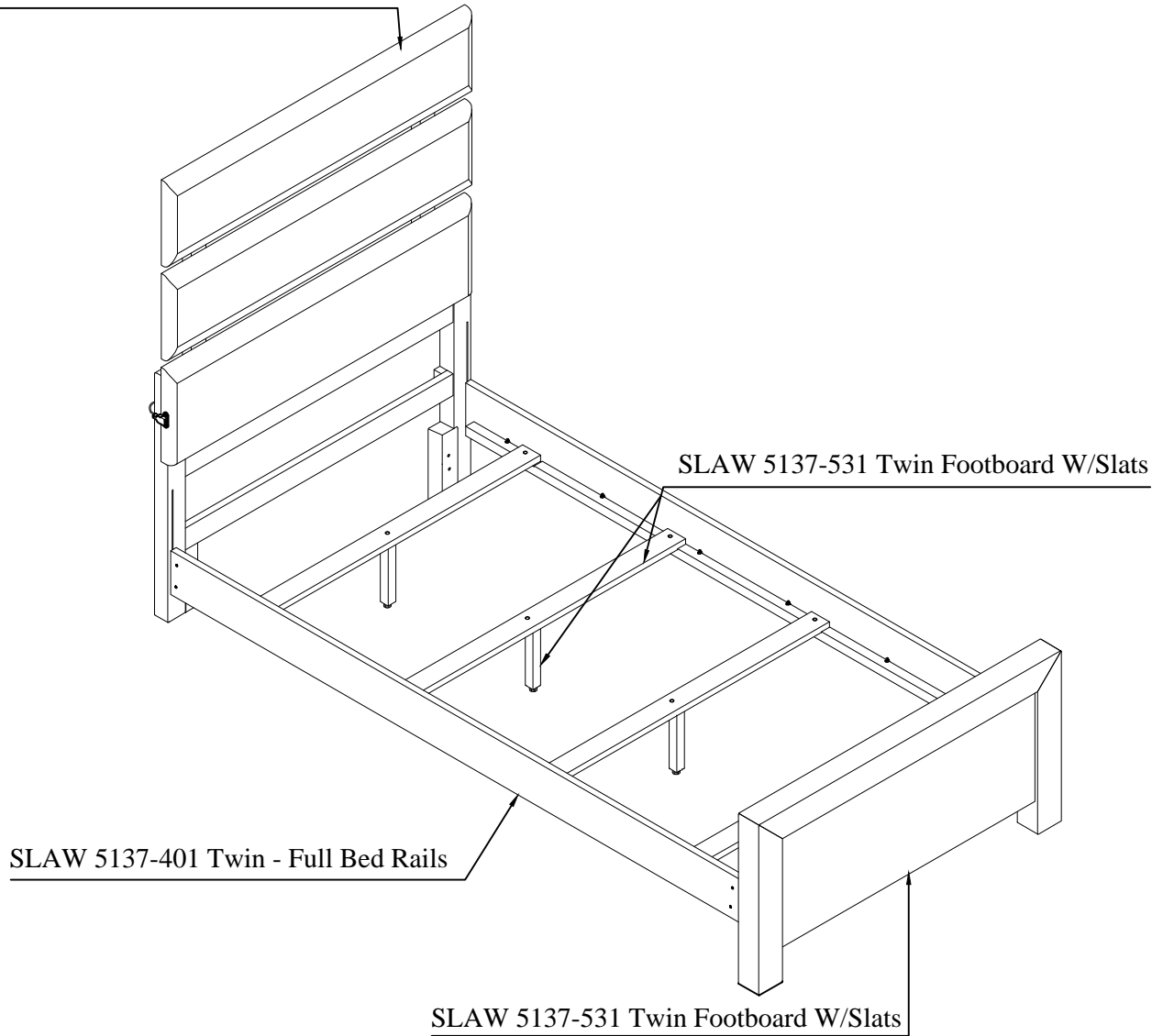
ITEM NO: SLAW 5137-530 / 531 / 401

SKU: 34651376 / 34751378 / 35651377

DESCRIPTION: TWIN PANEL BED

Thank you for purchasing this quality product. Be sure to check all packing material carefully for small Hardware which may have come loose inside the carton during shipment. Identify and count all Hardware and compare with the Hardware List Below.

## SLAW 5137-530 Twin Panel Headboard



HARDWARE LIST (For SLAW5137-531 Twin Footboard W/Slats)				
No.	Drawing	Description	Size	Qty.
12		Screw	M4 x 32mm	8 PCS

TOOLS REQUIRED (NOT PROVIDED)	
	PHILLIPS SCREWDRIVER

PARTS LIST		
Drawing	Description	Qty.
	Twin Panel Headboard (5137-530 )	1 PC
 Footboard ...1 PC    Slats ... 4 PCS    Slat Support ...4 PCS	Twin Footboard W/Slats (5137-531)	1 SET
	Twin-Full Bed Rails (5137-401)	2 PCS

MADE IN VIET NAM

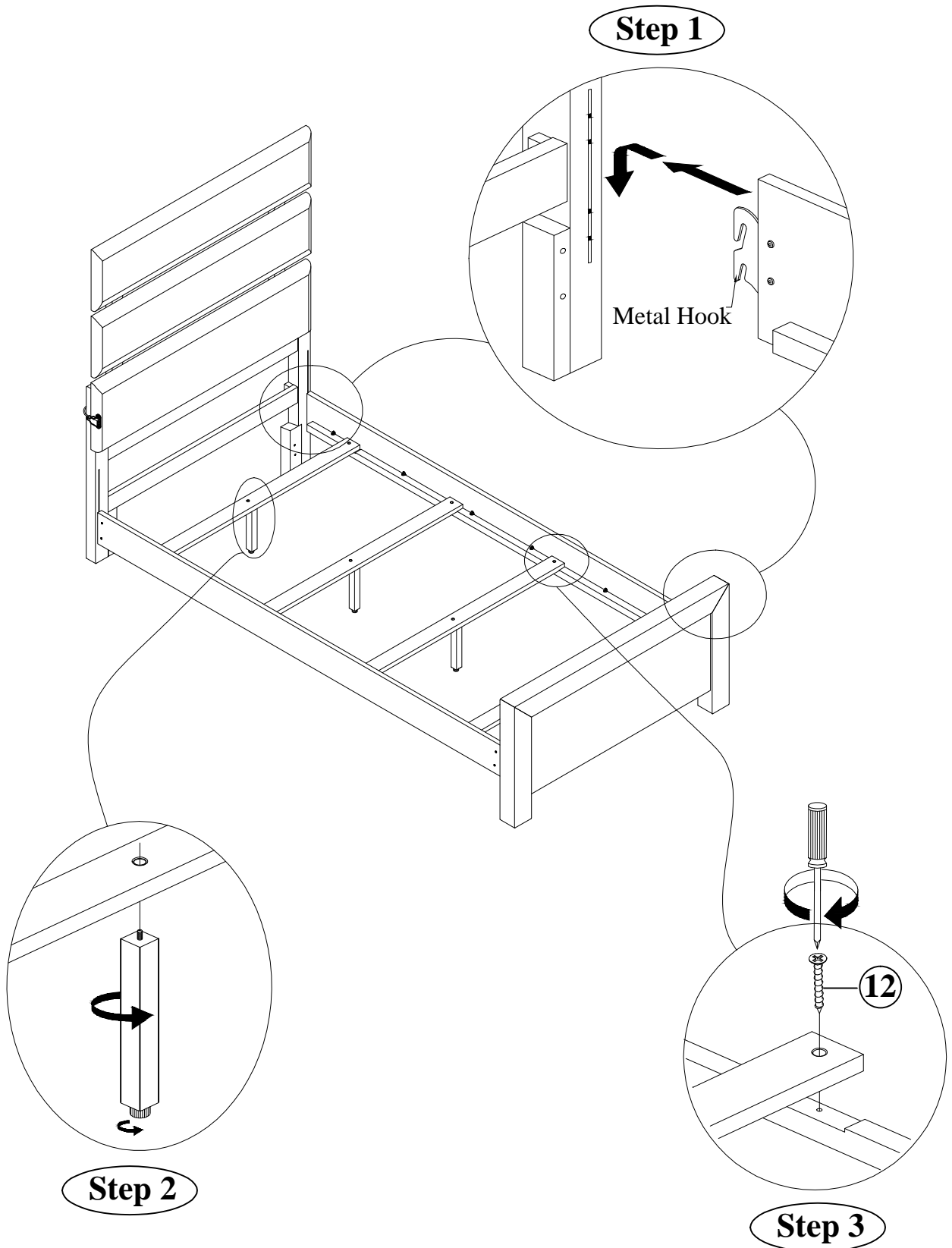


# ASSEMBLY INSTRUCTIONS

ITEM NO: SLAW 5137-530 / 531 / 401

SKU: 34651376/ 34751378 / 35651377

DESCRIPTION: TWIN PANEL BED



**Step 1**

Metal Hook

**Step 2**

**Step 3**

12

MADE IN VIET NAM