

DVDR

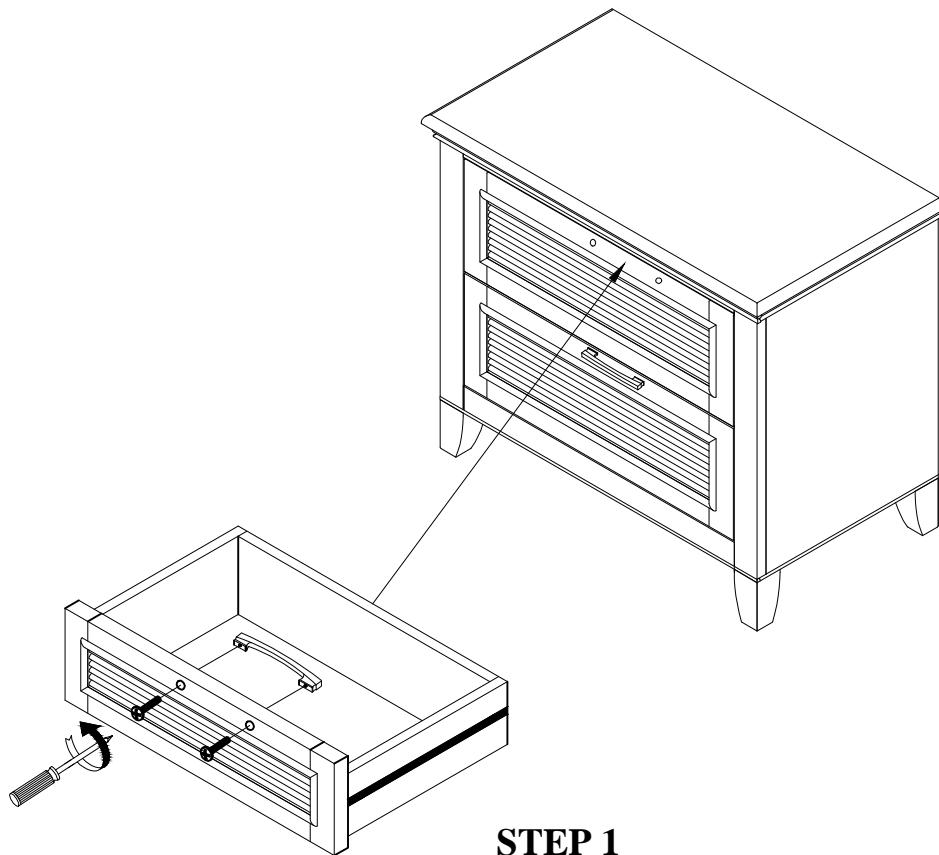
# ASSEMBLY INSTRUCTIONS

ITEM NO: 4147 / 5147-404

SKU# 34241478-34251479

DESCRIPTION NO: YOUTH 2 DRAWER NIGHTSTAND

Thank you for purchasing this quality product. Be sure to check all packing material carefully for small Hardware which may have come loose inside the carton during shipment. Identify and count all Hardware and compare with the Hardware List Below.



**STEP 1**

