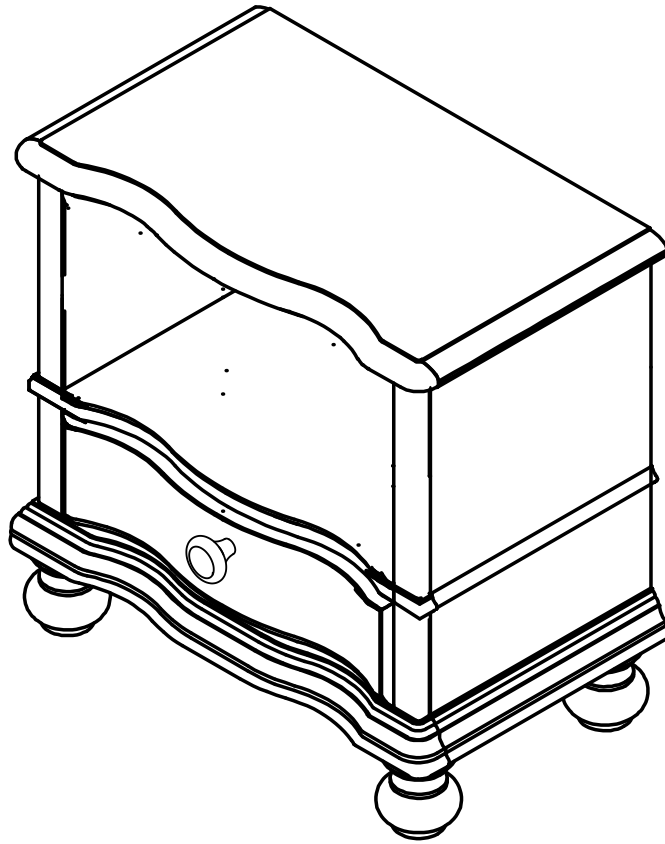
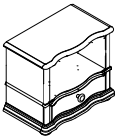




SAN SIMEON

1 DRAWER NIGHTSTAND



6810 RECLAIMED WHITE			6820 RECLAIMED BLUE		
RTG SKU	STYLE#	ITEM DESCRIPTION	RTG SKU	STYLE#	ITEM DESCRIPTION
34268107	6810 - 410	1 Drawer Nightstand	34268208	6820 - 410	1 Drawer Nightstand

1 DRAWER NIGHTSTAND PART LIST				QTY	CODE	HARDWARE LIST	QTY
A		1 Drawer Nightstand	1 Pc	1	Furniture tipping restraint (Screw driver is not included)		1 Set
B		Bun Feet With Bolt	4 Pcs				

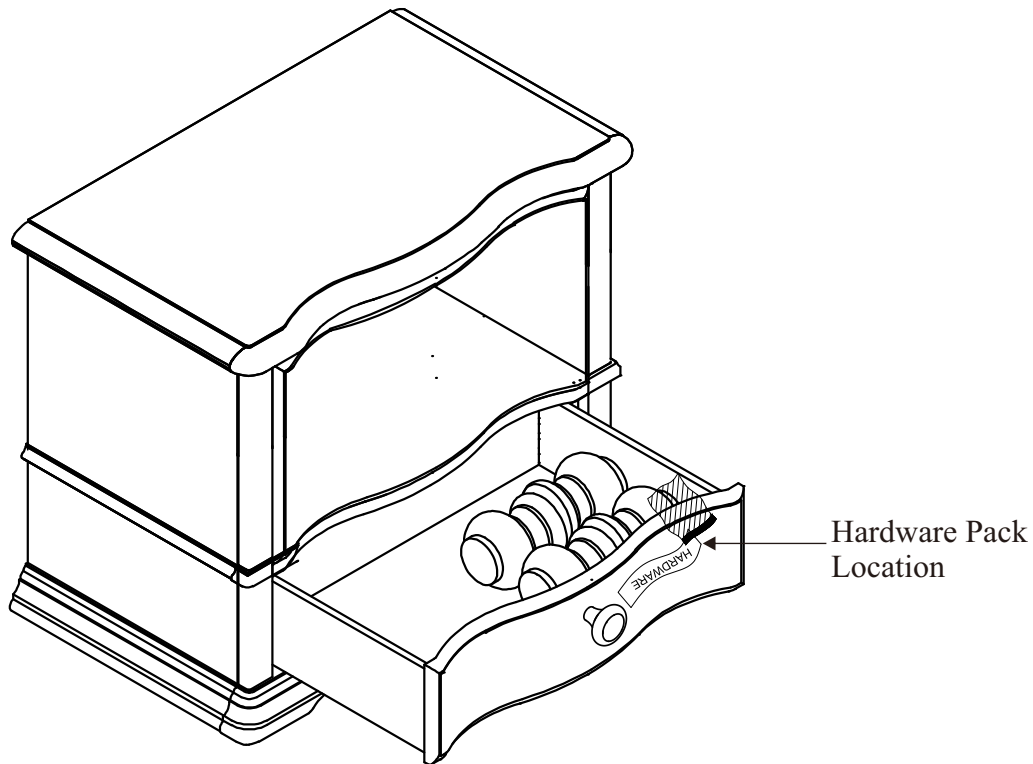
This product is manufactured by RCKF for **ROOMS TO GO** | **KIDS™**

DO NOT USE SUBSTITUTE PARTS. PLEASE CONTACT YOUR RETAIL STORE OR WWW.ROOMSTOGO.COM WITH SERVICE OR PARTS REPLACEMENT REQUEST

Thank you for purchasing this quality product. Be sure to check all packing material carefully for small parts which may have come loose inside the carton during shipment. Identify and count all parts and compare with the parts list below. Read all instructions before assembling and keep these instructions for future reference.

HARDWARE PACK LOCATION

RTG SKU	STYLE#	ITEM DESCRIPTION
34268107	6810 - 410	1 Drawer Nightstand
34268208	6820 - 410	1 Drawer Nightstand



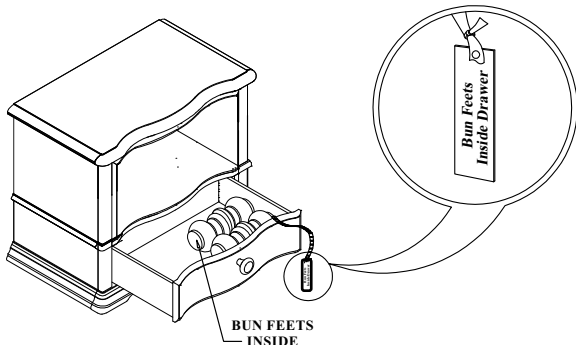
This product is manufactured by RCKF for **ROOMS TO GO** | **KIDS™**

DO NOT USE SUBSTITUTE PARTS. PLEASE CONTACT YOUR RETAIL STORE OR WWW.ROOMSTOGO.COM WITH SERVICE OR PARTS REPLACEMENT REQUEST

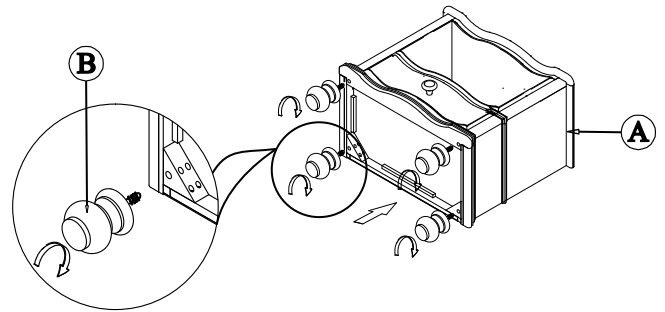
Thank you for purchasing this quality product. Be sure to check all packing material carefully for small parts which may have come loose inside the carton during shipment. Identify and count all parts and compare with the parts list below. Read all instructions before assembling and keep these instructions for future reference.

ASSEMBLY INSTRUCTIONS

STEP 1

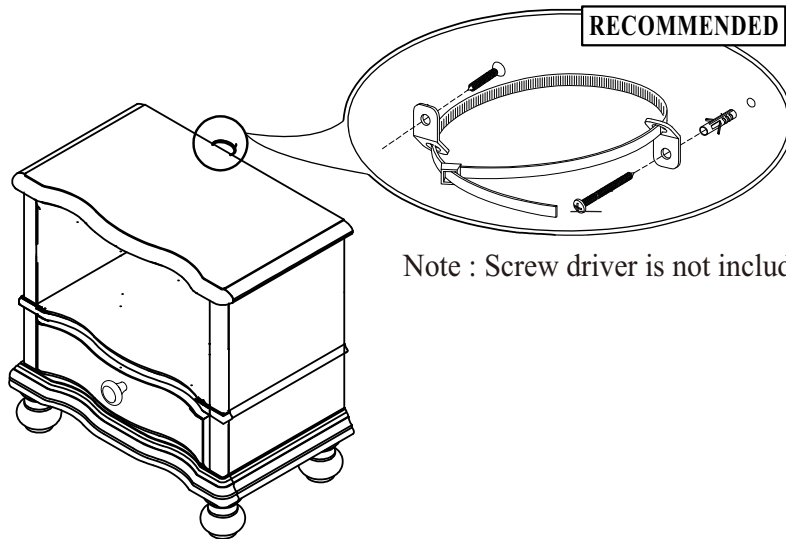


STEP 2



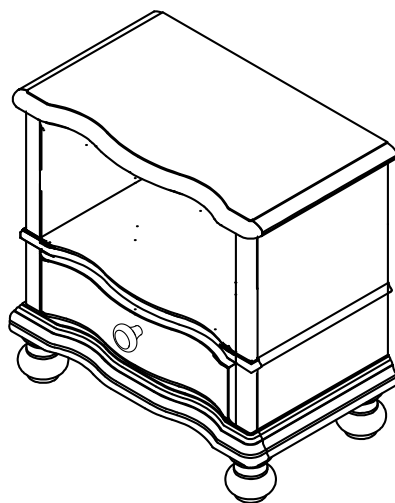
Attach Bun Feet With Bolt (B) to 1 Drawer Nightstand (A).

STEP 3



Attach Tipping Restraint (1) to 1 Drawer Nightstand (A).

1 DRAWER NIGHTSTAND
ASSEMBLY COMPLETE



This product is manufactured by RCKF for **ROOMS TO GO** | **KIDS™**

DO NOT USE SUBSTITUTE PARTS. PLEASE CONTACT YOUR RETAIL STORE OR WWW.ROOMSTOGO.COM WITH SERVICE OR PARTS REPLACEMENT REQUEST