

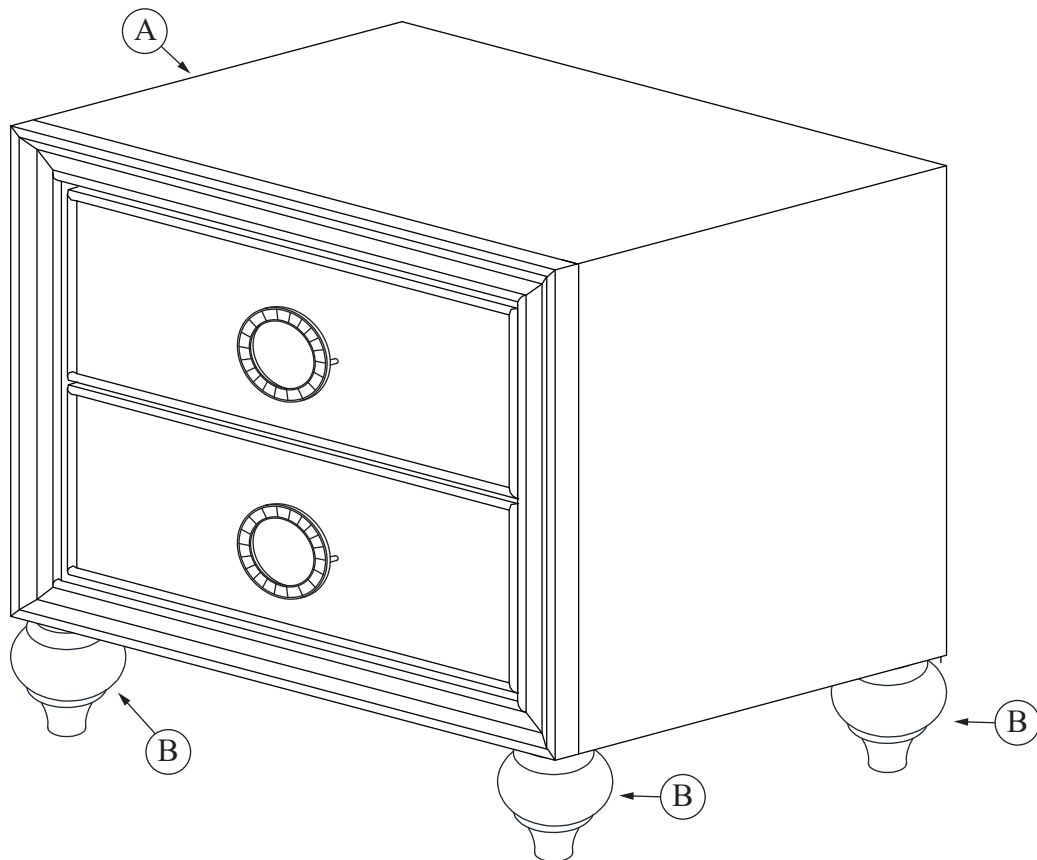


Thank you for purchasing this quality product. Be sure to check all packing material carefully for small parts which may have come loose inside the carton during shipment. Identify and count all parts and compare with the Hardware List below:

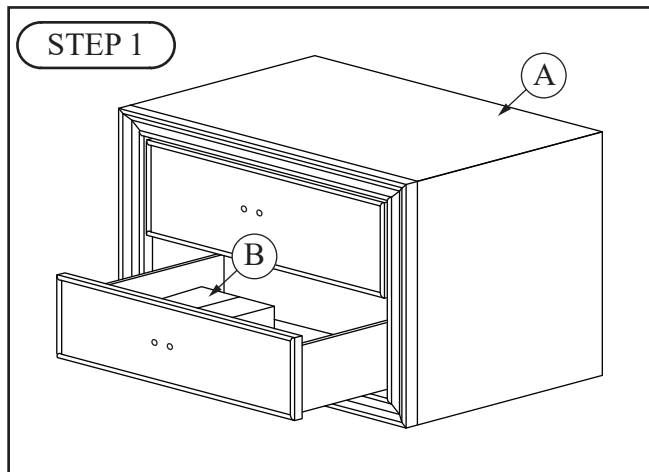
Part List	No	Picture	Description	Qty
	A		Nightstand	1
	B		Bunn Feet	4



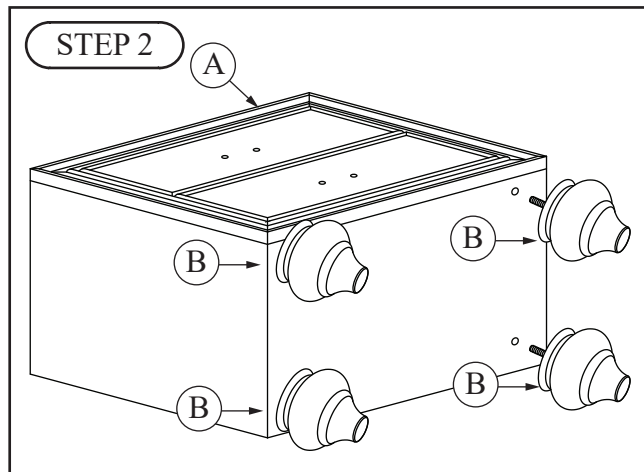
HILB 7140-772 Evangeline 6 Drawer Dresser - SKU# 34171407
HILB 7139-772 Evangeline 6 Drawer Dresser - SKU# 34171394

ASSEMBLY STEP

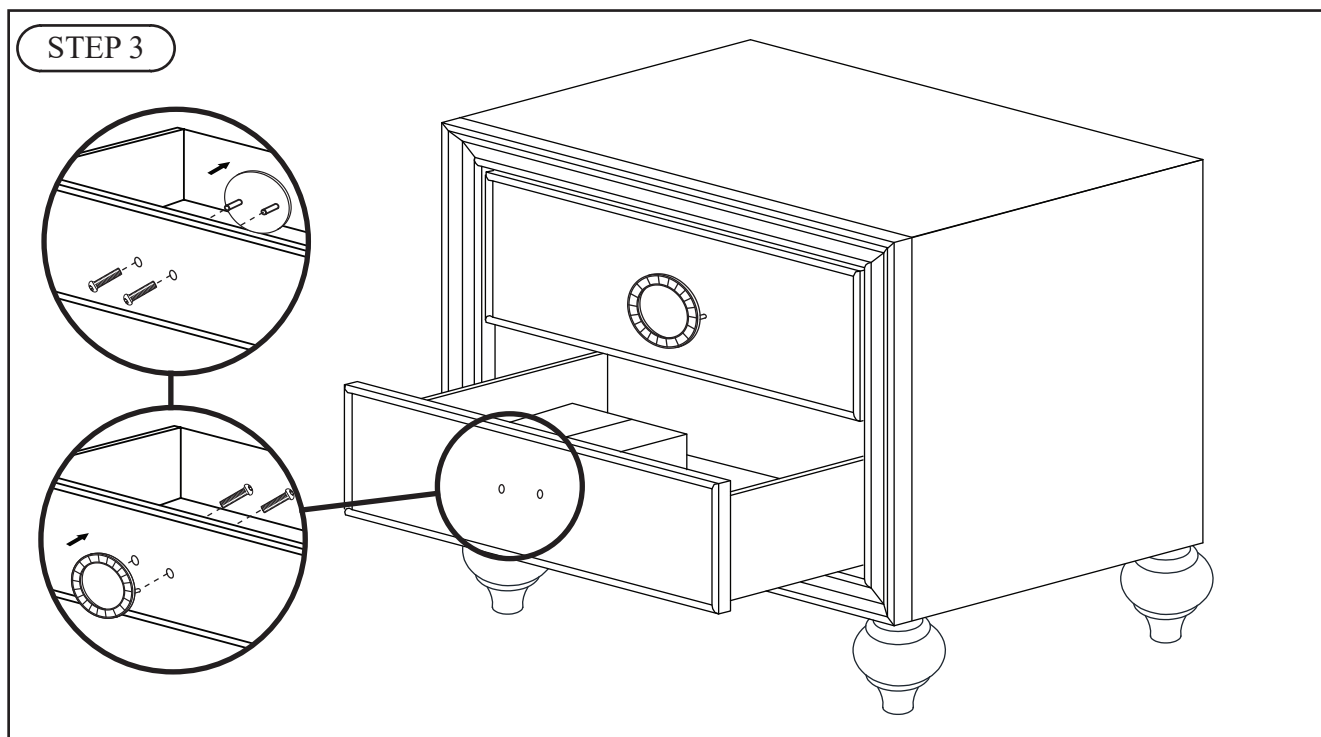
***Caution: Please read all instructions carefully before starting the assembly process. These parts are cumbersome and heavy. Therefore, two people are recommended in order to prevent personal injury and insure the parts are not damaged during the assembly.



Begin assembly by removing Bunn Feet (B) from bottom of drawer of Dresser (A).



Secure Bunn Feet (B) to Dresser (A) by screwing into place.



Handles and screws are pre assembled to drawer faces. Unscrew and attach handle on the outside by securing it from the inside with the screws that have been removed making sure to hold drawers in place. Tighten all handles from the inside. But do not overtighten.