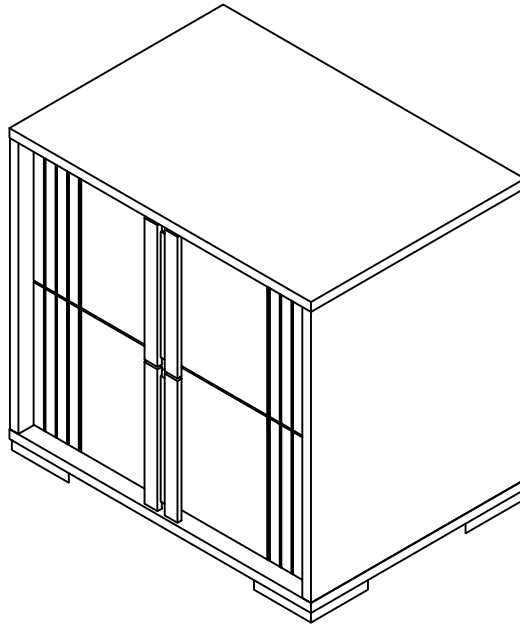
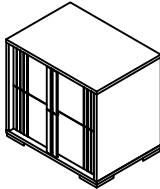


VALENTINA Kids
2 DRAWER NIGHTSTAND



FIBI

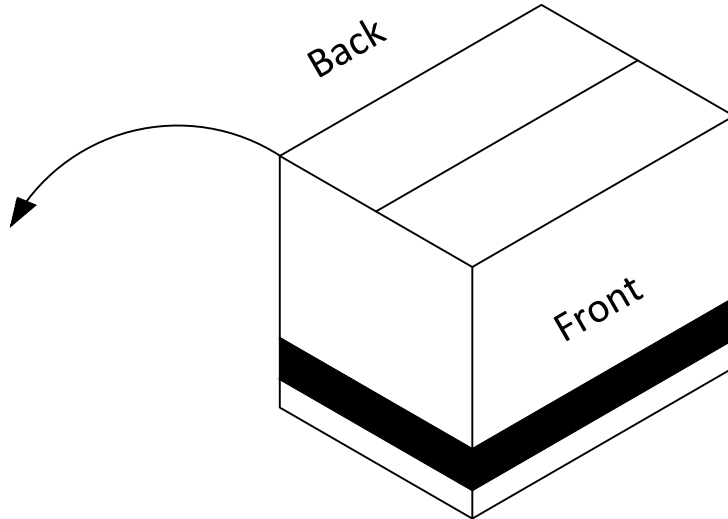
34275304- STYLE: 7530

NO.	Item description	IMAGE	QTY
1	2 DRAWER NIGHTSTAND		1

DO NOT SUBSTITUTE PARTS. PLEASE CONTACT
YOUR RETAIL STORE OR WWW.ROOMSTOGO.COM
WITH SERVICE OR PARTS REPLACEMENT.

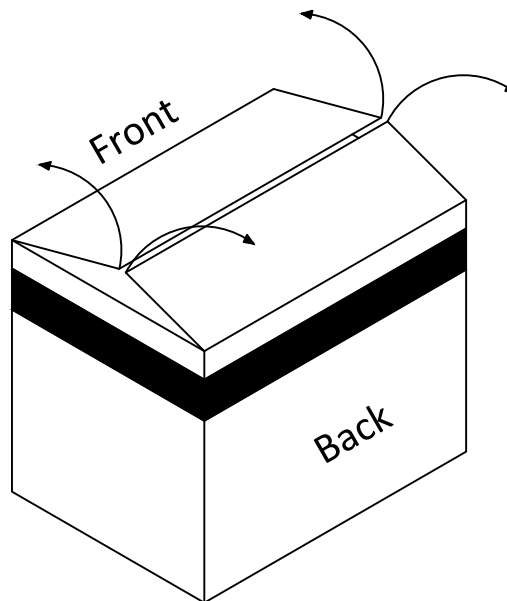
Assembly Instructions

1 Rotate 90° twice counter-clockwise



2 Open the carton using a cutter

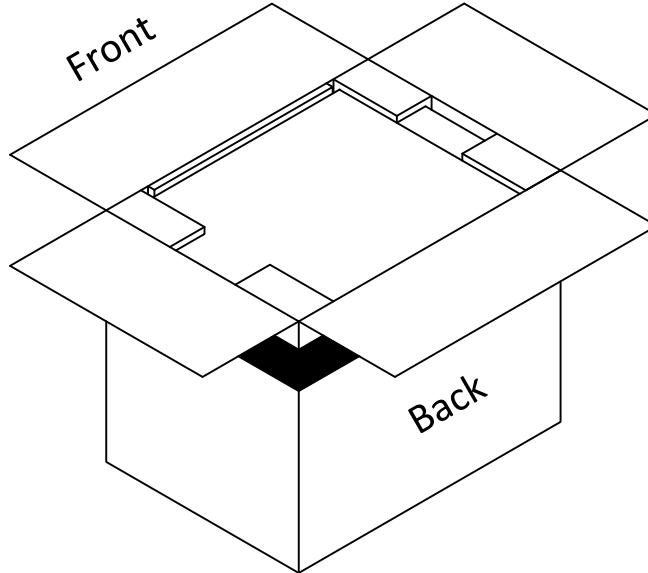
Cutter
not
included



Assembly Instructions

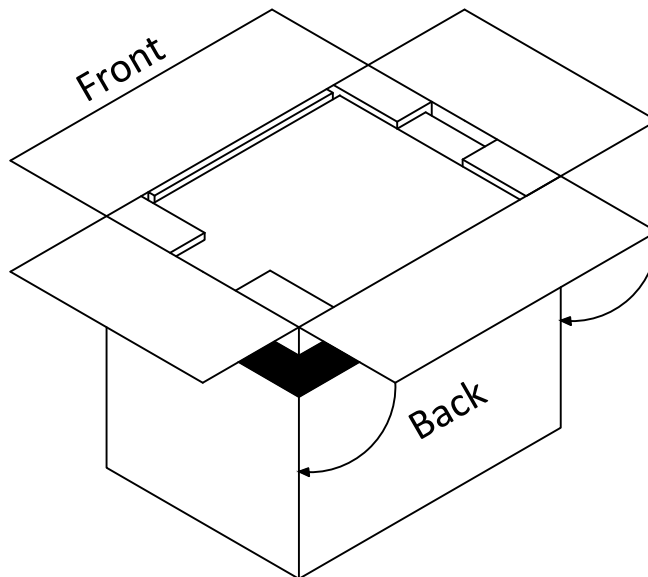
3

Open the carton fold



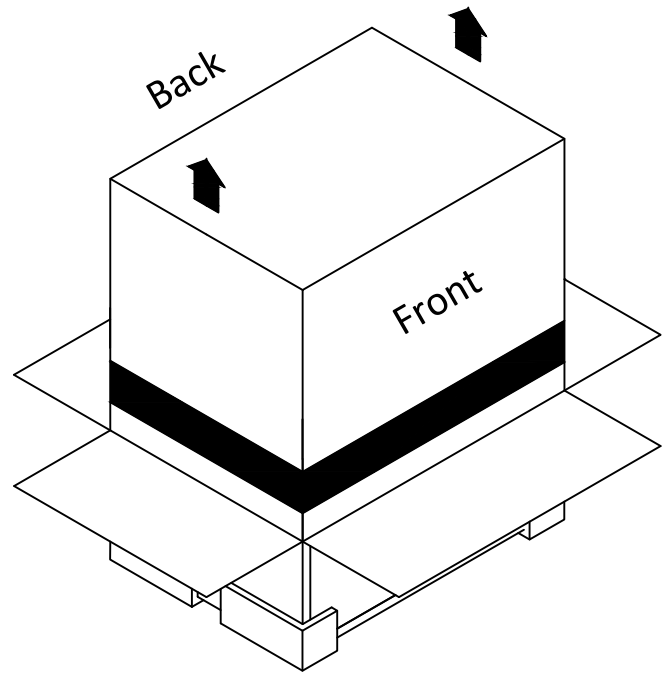
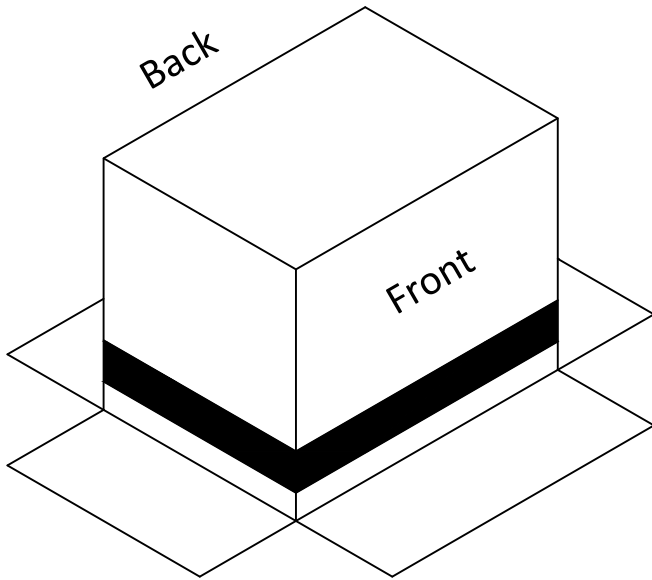
4

Rotate 90° twice -clockwise

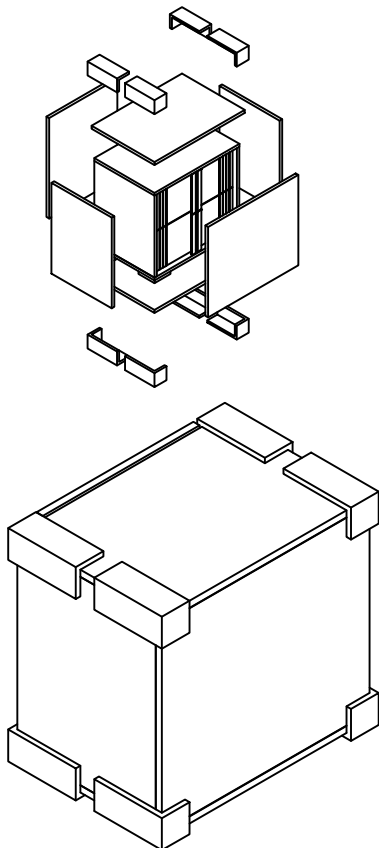


Assembly Instructions

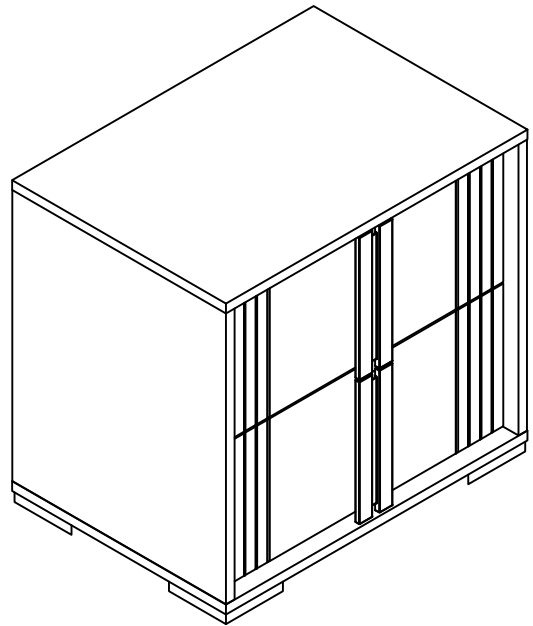
5 Lift the carton off



6 Remove all the packaging

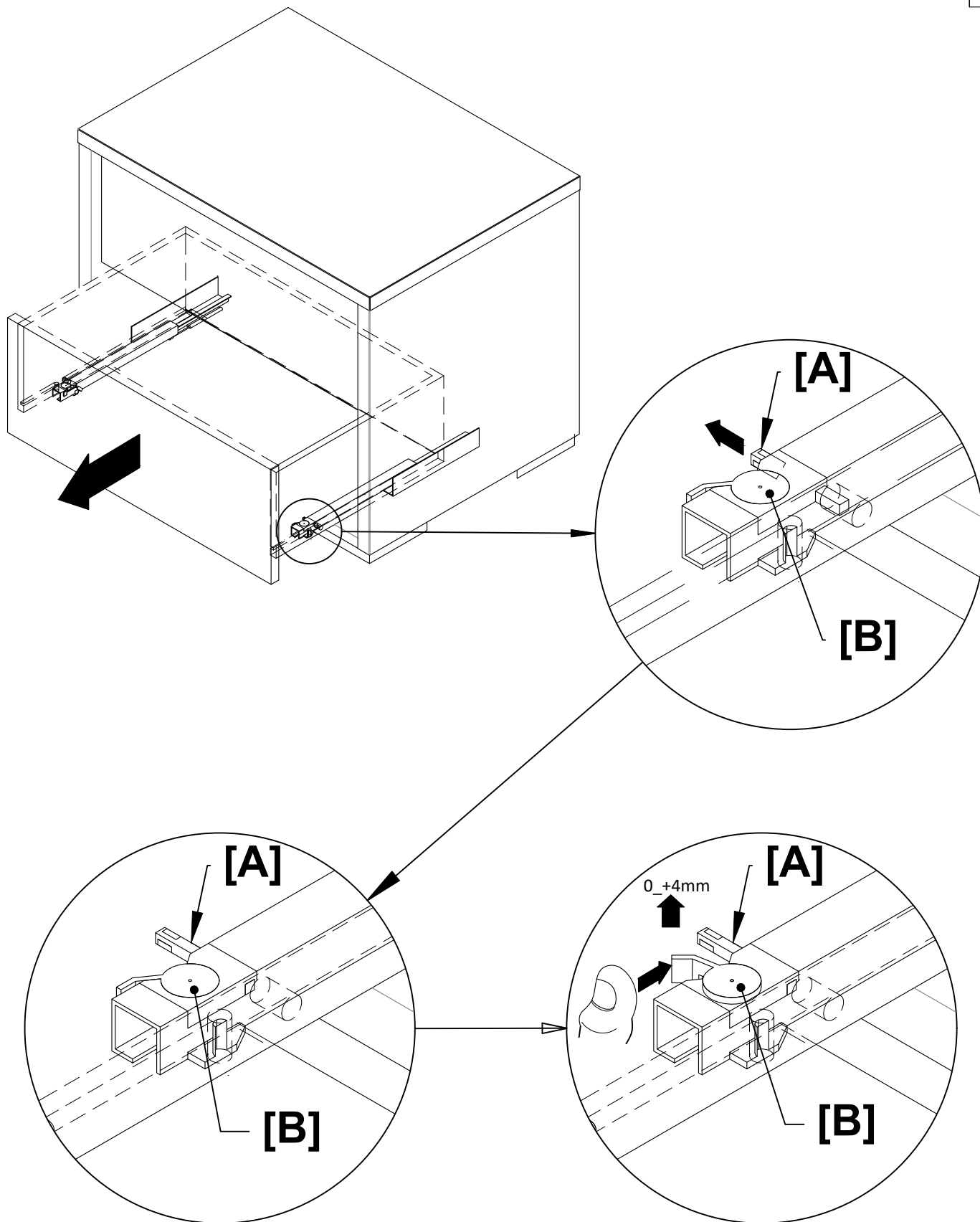


7 Night Stand ready to work



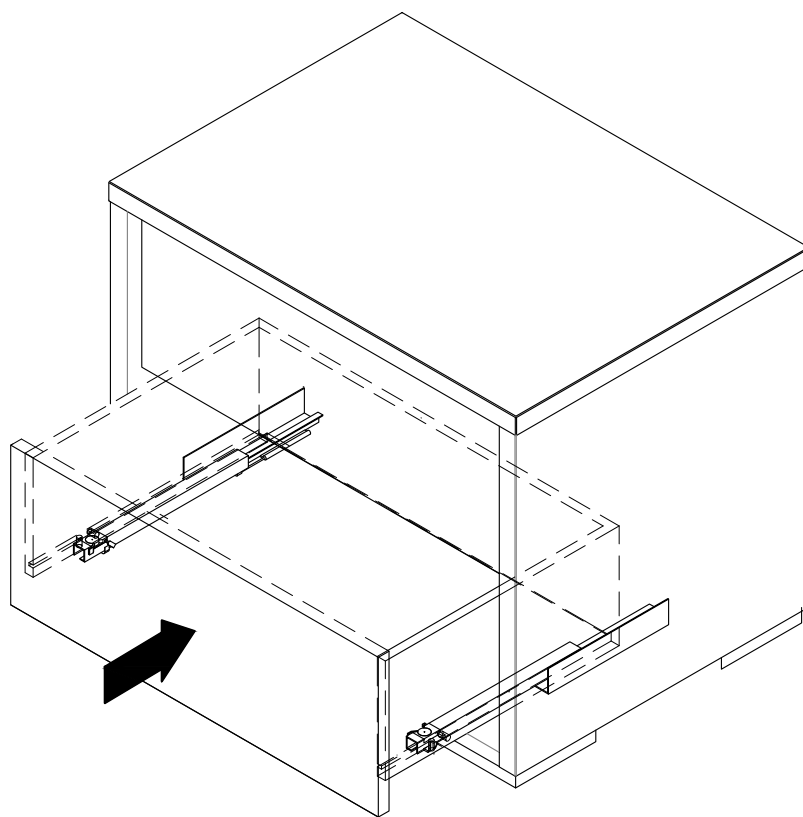
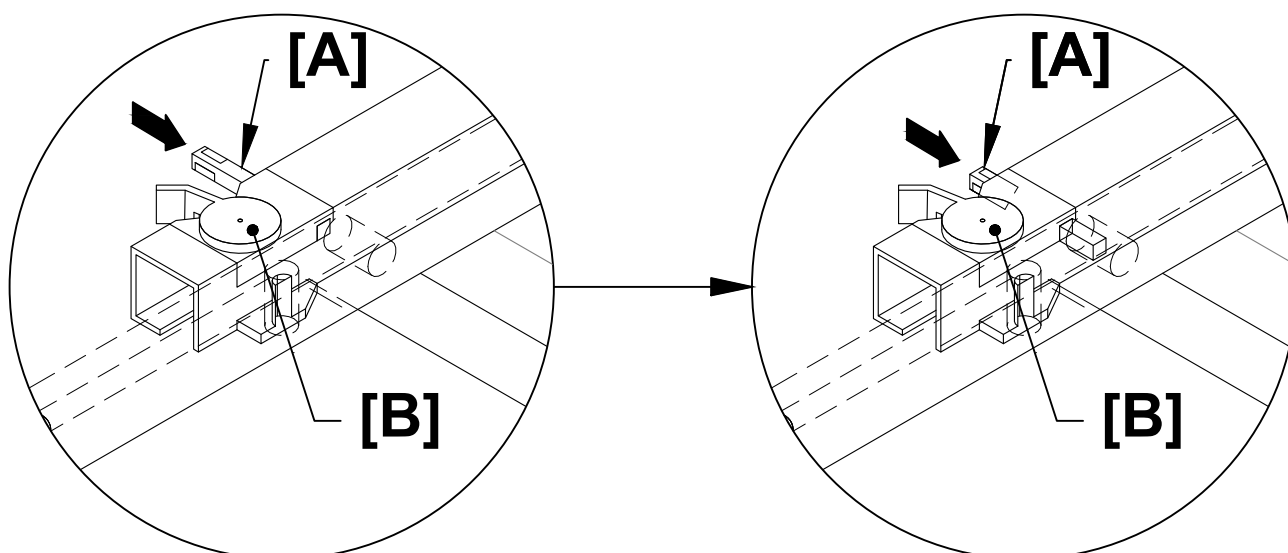
Assembly Instructions-Drawer adjustment

- 8 Open and unhook the [A] fixing pin under the drawer.
Turn the [B] camme (0-4mm max).



Assembly Instructions-Drawer adjustment

- 9 Close and control the right space between drawers and repeat in left side (if necessary).
If it is correct, open and hook [A] fixing pin under the drawer.
Close the drawer. If necessary, repeat these procedures even on the other drawers.

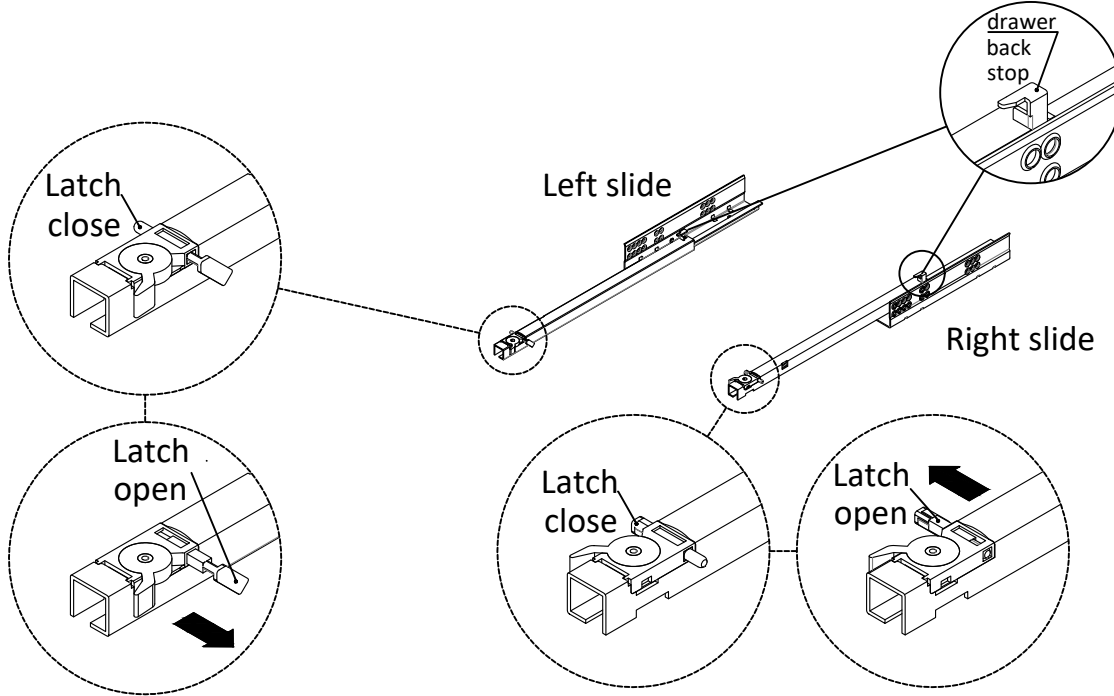


Assembly Instructions-Drawer adjustment

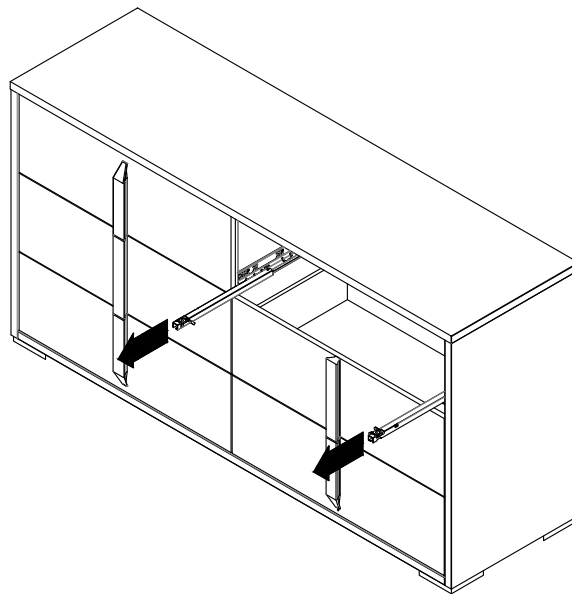
If a drawer does not close properly, or get's stuck, the most likely cause is that the drawer came of the "glide".
This is not a defect and can easily be corrected. Remove all contents of the drawer.



- 10 If the drawer comes off the glide,visulay inspect underneith the drawer.
Make sure you pull the latch into the "open" position on both drawer glides.

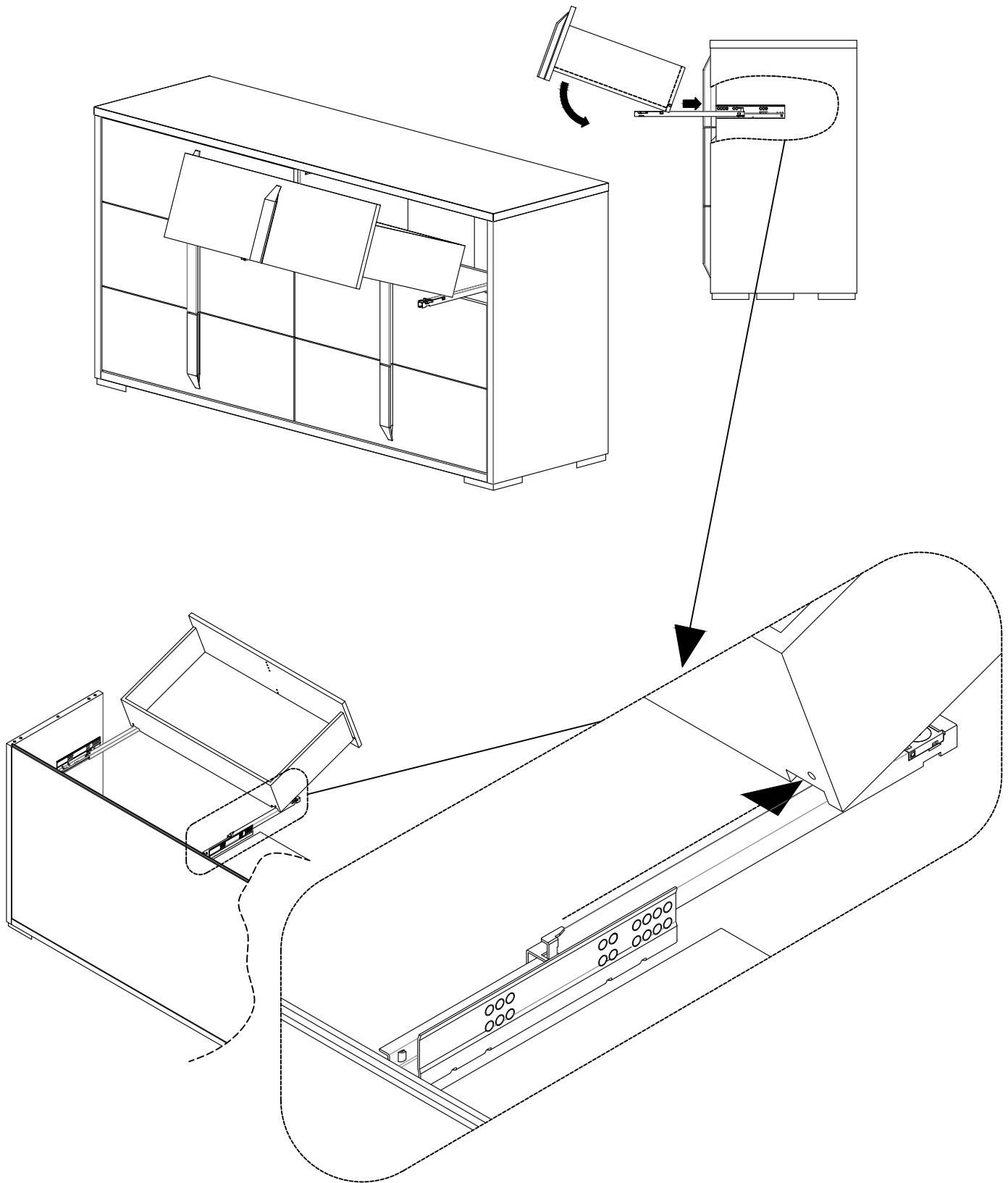


- 11 Pull the glides out with latches.



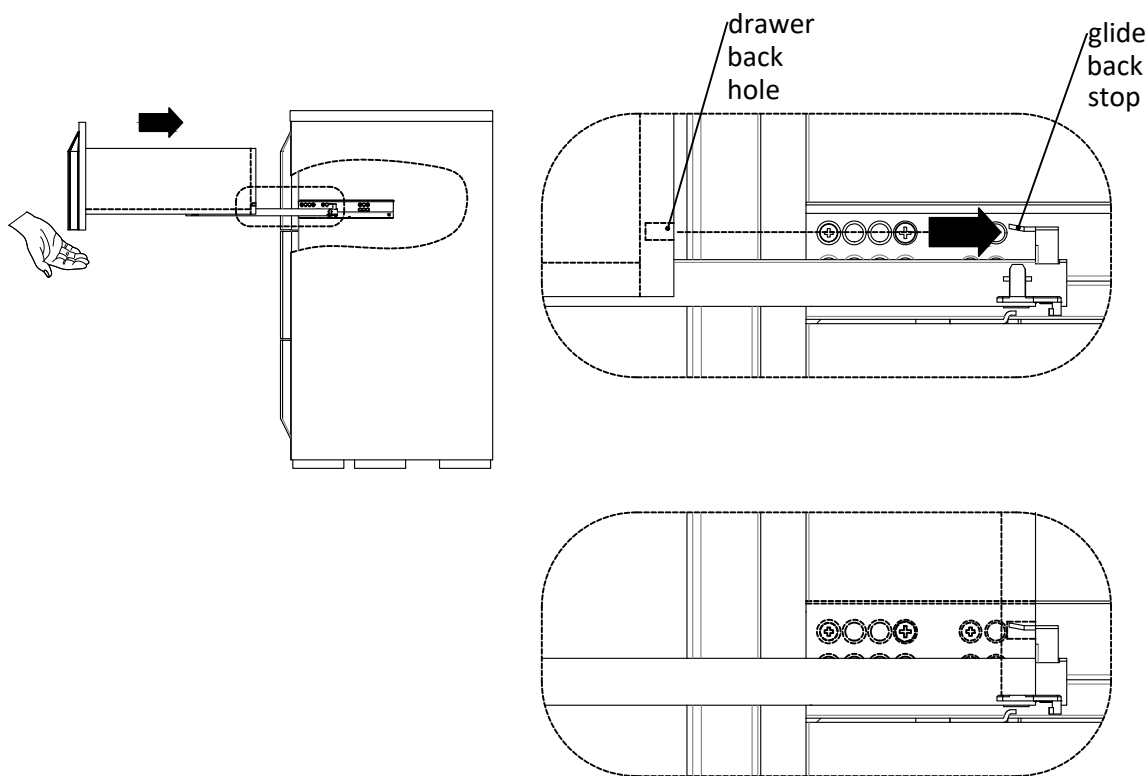
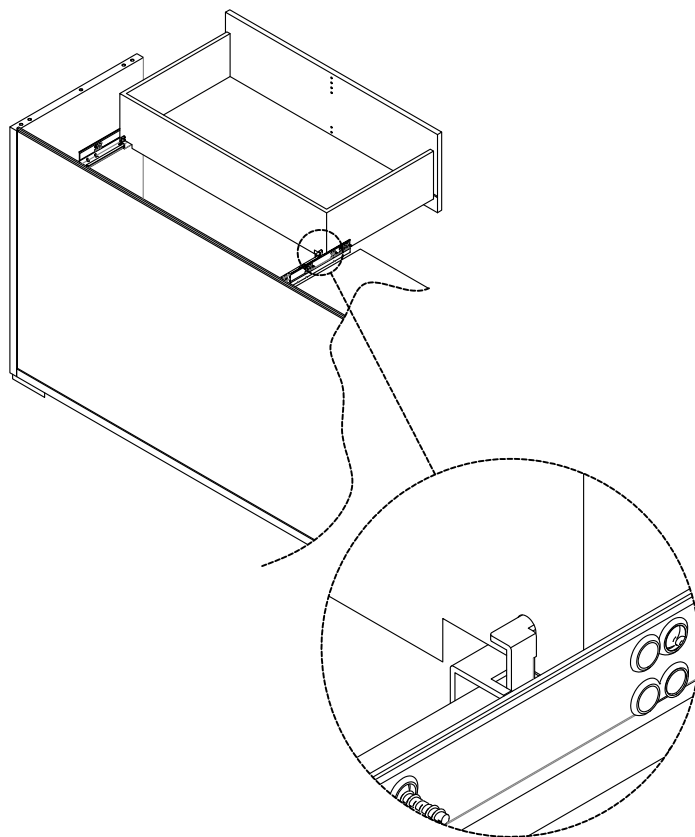
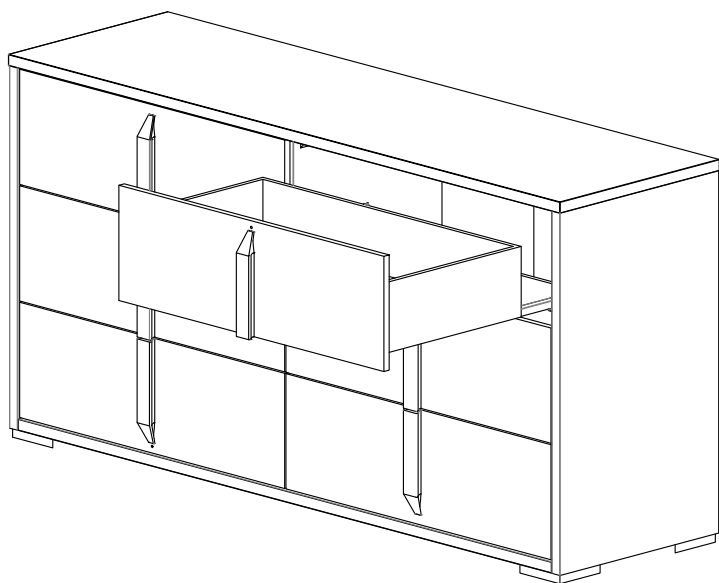
Assembly Instructions-Drawer adjustment

12 Rest drawer back on the glides and slide it inwards.



Assembly Instructions-Drawer adjustment

- 13 Make sure the drawer back stop is inserted in the back of the drawer, into the lower drawer hole.



Assembly Instructions-Drawer adjustment

14 Push the latch into the lock position.

