

CANYON FURNITURE COMPANY
COMPUTER DESK ASSEMBLY INSTRUCTIONS (26-600)

LIST OF CONTENTS
MOSS CREEK COLLECTION

THANK YOU FOR YOUR PURCHASE ! PLEASE CONTACT YOUR RETAIL STORE WITH SERVICE OR PARTS REPLACEMENT REQUEST

COMPUTER DESK BOX (26-600) FIG.1	COMPUTER HUTCH BOX (26-765) FIG.2	LANDSCAPE MIRROR BOX (26-300) FIG.3
A - (1) DESK TOP B - (2) DESK BASE C - (1) DESK RAIL	F - (1) COMPUTER DESK HUTCH G - (2) 3/8" METAL SUPPORTS	I - (1) LANDSCAPE MIRROR J - (2) 3/8" METAL SUPPORTS
HARDWARE PACK (HPK00107) D - (10) 40MM HEX BOLTS E - (1) ALLEN WRENCH	HARDWARE PACK (HPK00106) (2 PCS) H - (4) 1 5/8" SCREWS	HARDWARE PACK (HPK00106) H - (4) 1 5/8" SCREWS

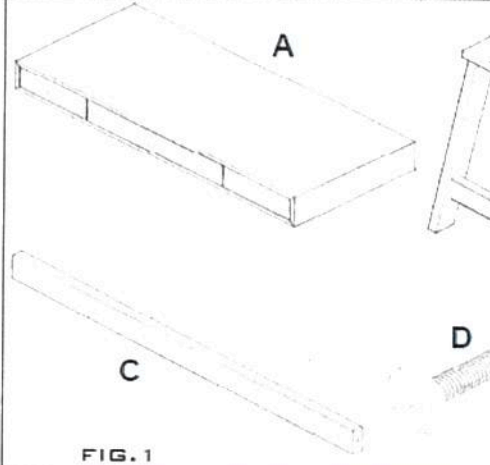


FIG. 1

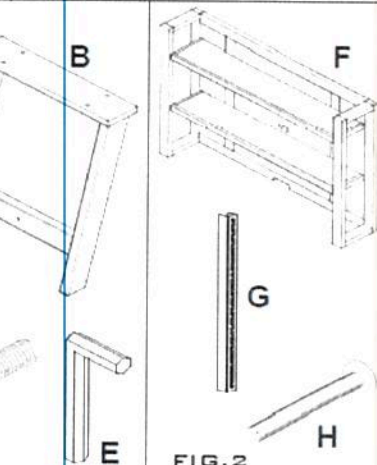


FIG. 2

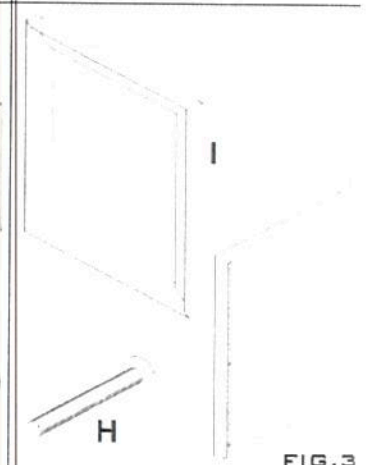


FIG. 3

COMPUTER DESK ASSEMBLY

- 1- BEFORE YOU START, CAREFULLY UNPACK AND IDENTIFY EACH COMPONENT AND PIECE OF HARDWARE TO MAKE SURE YOU HAVE EVERYTHING YOU NEED FOR ASSEMBLY.
- 2- PLACE THE DESK TOP (A) FACE DOWN IN A SOFT AND CLEAN SURFACE TO AVOID SCRATCHES. **SEE FIG. 4**
- 3- TAKE ONE 40MM HEX BOLT (D), ALIGN THE HOLES OF DESK TOP (A) WITH THE HOLES OF DESK BASE (B), AND TIGHTEN UNTIL SECURE, USING ONE ALLEN WRENCH (E). REPEAT THE SAME PROCESS ON ALL BOLTS. **SEE FIG. 4**
- 4- TAKE THE DESK RAIL (C), ALIGN THE HOLES OF DESK BASE WITH THE HOLES OF DESK RAIL, AND TIGHTEN UNTIL SECURE, USING ONE ALLEN WRENCH (E). REPEAT THE SAME PROCESS ON BOTH BOLTS. **SEE FIG. 5**

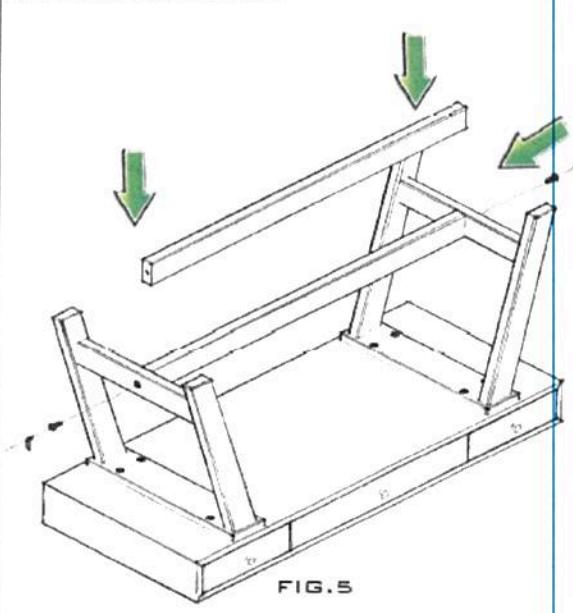


FIG. 5

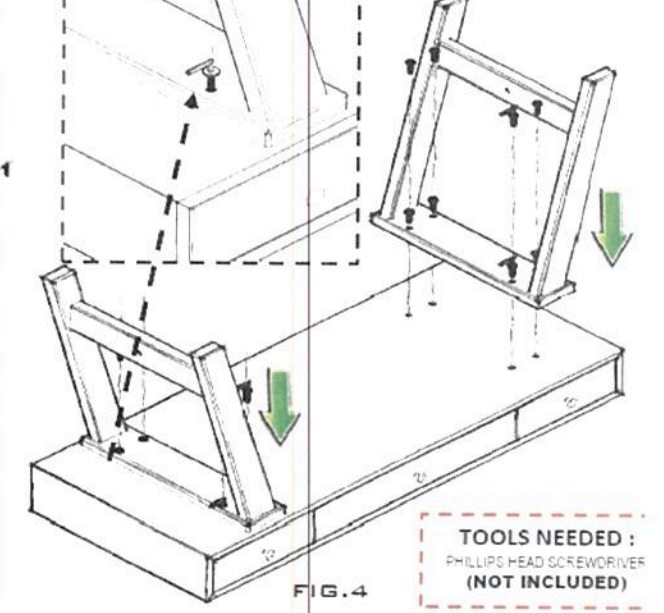
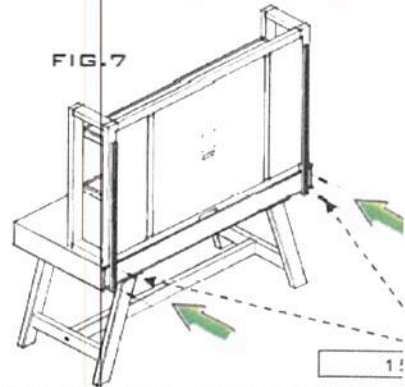
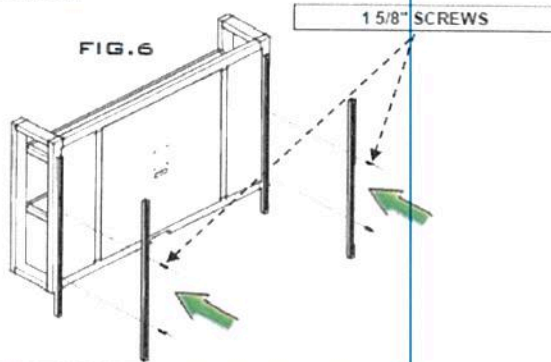


FIG. 4

TOOLS NEEDED :
 PHILLIPS HEAD SCREWDRIVER
 (NOT INCLUDED)

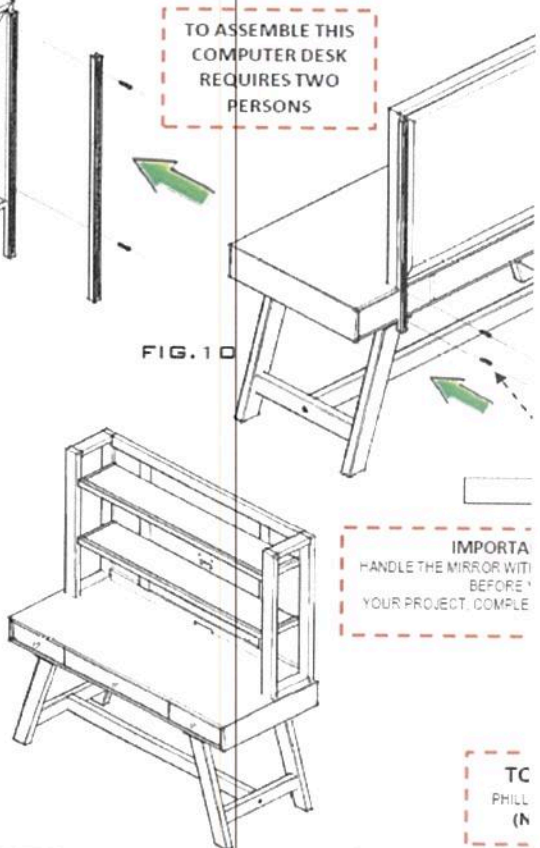
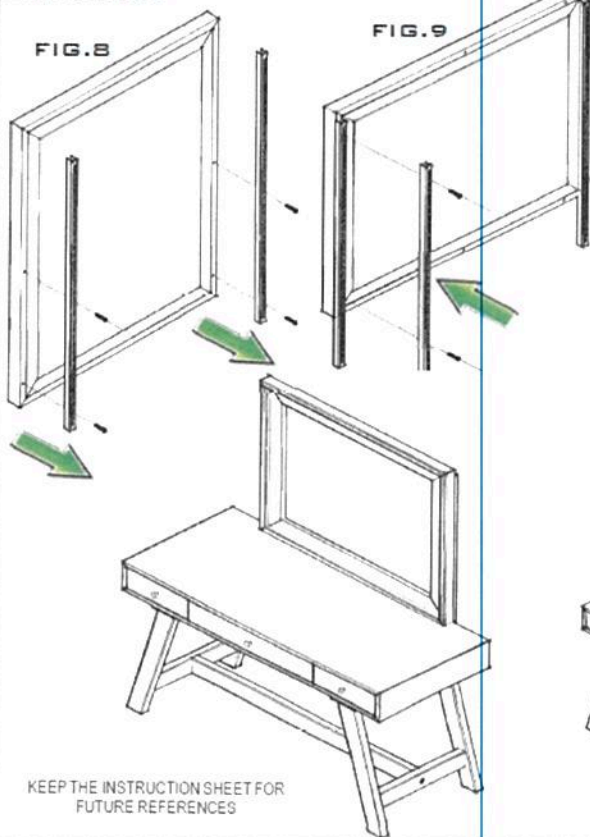
COMPUTER DESK WITH HUTCH ASSEMBLY

- 1 - UNPACK THE COMPUTER HUTCH (F), IDENTIFY THE HOLES IN THE HUTCH THEN INSTALLED THE 3/8" METAL SUPPORTS (G), ATTACH WITH 1 5/8" SCREWS SCREWDRIVER TIGHT ALL SCREWS SEE FIG.6
- 2 - TURN THE ASSEMBLE FACE UP THE COMPUTER DESK AND PLACE IT NEAR TO THE FINAL POSITION IN THE ROOM.
- 3 - CAREFULLY PLACE COMPUTER HUTCH ON THE COMPUTER DESK AND LINE UP CENTER
- 4 - ATTACH THE 3/8" METAL SUPPORTS TO COMPUTER DESK, BY ALIGNING 3/8" METAL SUPPORTS WITH THE HOLES IN THE COMPUTER. USING YOUR PHILLIP SCREWS SEE FIG.7



COMPUTER DESK WITH LANDSCAPE MIRROR ASSEMBLY

- 1 - UNPACK THE LANDSCAPE MIRROR (I), AND REMOVE THE 1 5/8" SCREWS AND THE 3/8" METAL SUPPORT INSTALLED IN THE LANDSCAPE MIRROR USING YOUR SCREWDRIVER SEE FIG.8, THEN TURN AROUND THE MIRROR, ATTACH USING REMOVAL SCREWS AND METAL SUPPORTS, SEE FIG.9.
- 2 - TURN THE ASSEMBLE FACE UP THE COMPUTER DESK AND PLACE IT NEAR TO THE FINAL POSITION IN THE ROOM.
- 3 - CAREFULLY PLACE LANDSCAPE MIRROR ON THE COMPUTER DESK AND LINE UP CENTER.
- 4 - ATTACH THE 3/8" METAL SUPPORTS TO COMPUTER DESK, BY ALIGNING 3/8" METAL SUPPORTS WITH THE HOLES IN THE COMPUTER. USING YOUR PHILLIP SCREWS, SEE FIG.10.



TO ASSEMBLE THIS COMPUTER DESK REQUIRES TWO PERSONS

IMPORTANT HANDLE THE MIRROR WITH CARE BEFORE YOUR PROJECT IS COMPLETE

KEEP THE INSTRUCTION SHEET FOR FUTURE REFERENCES

TC PHILLIP (H)

3

REPEAT SAME