



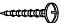


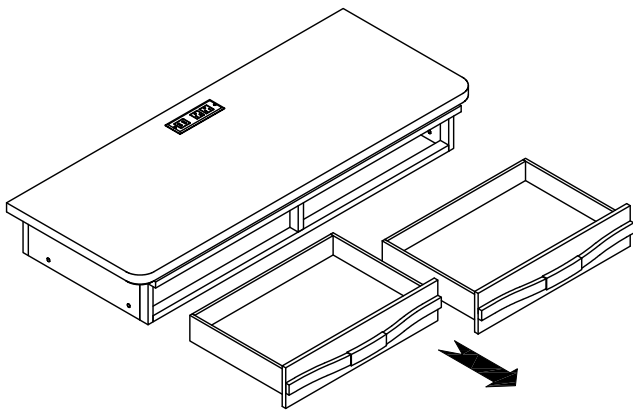
Assembly Instruction

Computer Desk

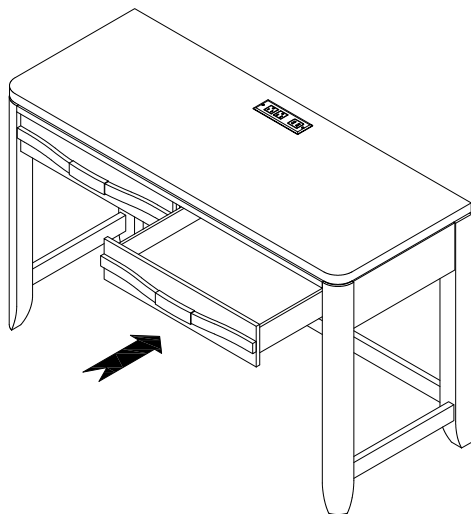
Thank you for purchasing this quality product. Be sure to check all packing materials carefully for small parts which may have come loose inside the carton during shipment. Identify and count all parts and compare with the parts list below.
**Assemble the product on a flat, soft surface such as a carpet or cloth to prevent scratching the finish. Read all instruction and study the drawings carefully before starting the assembly process.

Hardware list

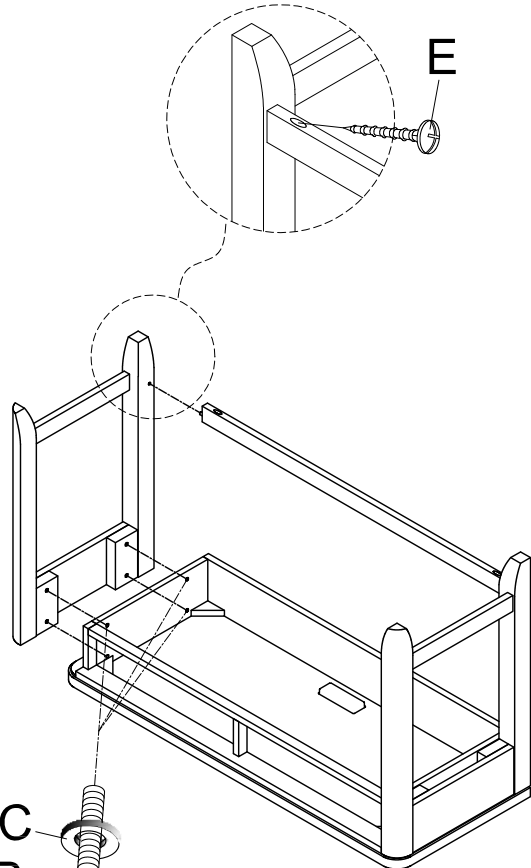
Code	Hardware	Q'TY
A	Bolt 1/4"x20x1-3/4" 	8pcs
B	Spring Washer 1/4"xφ11x2mmT 	8pcs
C	Flat Washer 1/4"xφ19x2mmT 	8pcs
D	Allen key 4mm 	1 pc
E	Screw #8x1-3/4" 	2 pcs



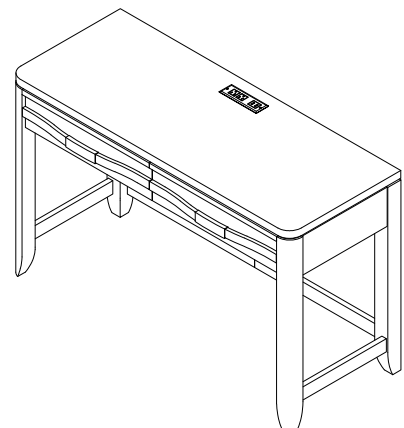
Step 1: Remove all drawers



Step 3: Replace all drawers



Step 2



Cleaning Instruction: Clean finished parts with a mild dishwashing liquid and water solution on a damp cloth. Polish the finish with soft cloth and an industry recognized furniture polish.

Made in Vietnam