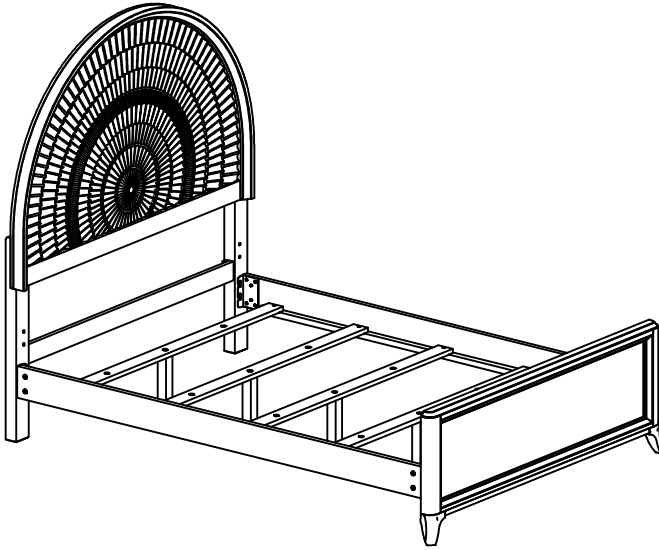
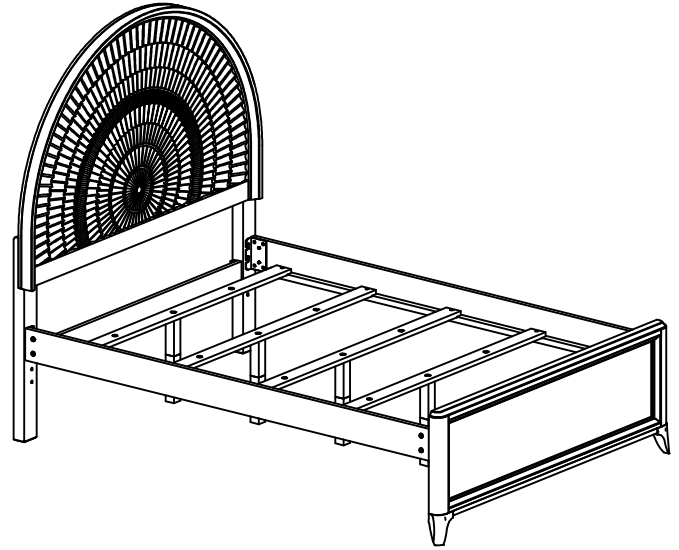


VIVIEN

FULL ARCHED PANEL BED

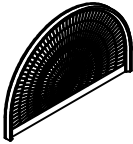
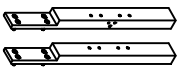
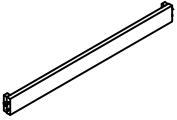


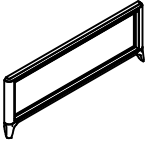
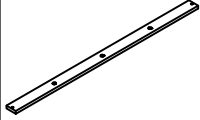
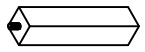
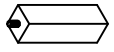
LOW RAIL POSITION




HIGH RAIL POSITION

3432687P - FULL ARCHED PANEL BED - WIREBRUSH GRAY			
SKU #	ITEM#	ITEM DESCRIPTION	Q'TY
35226871	2687-20H	FULL ARCHED PANEL HEADBOARD	1
34926874	2687-18F	FULL PANEL FOOTBOARD	1
35026877	2687-17R	TWIN / FULL RAILS	1

FULL ARCHED PANEL HEADBOARD PARTS LIST			
A	Headboard		1PC
B	Headboard Leg (L / R)		2PCS
C	Stretcher		1PC

FULL PANEL FOOTBOARD PARTS LIST			
D	Footboard		1PC
E	Slat		5PCS
F	Long Support Leg		5PCS
G	Short Support Leg		5PCS


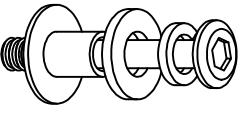
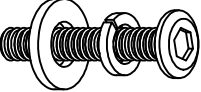
TWIN / FULL RAILS PARTS LIST			
H	Twin / Full Rails		2PCS



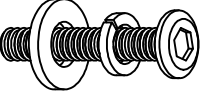
This product is manufactured by HOUS for ROOMS TO GO® | KIDS

DO NOT USE SUBSTITUTE PARTS. PLEASE CONTACT YOUR RETAIL STORE OR WWW.ROOMSTOGO.COM WITH SERVICE OR PARTS REPLACEMENT REQUEST

VIVIEN

FULL ARCHED PANEL BED

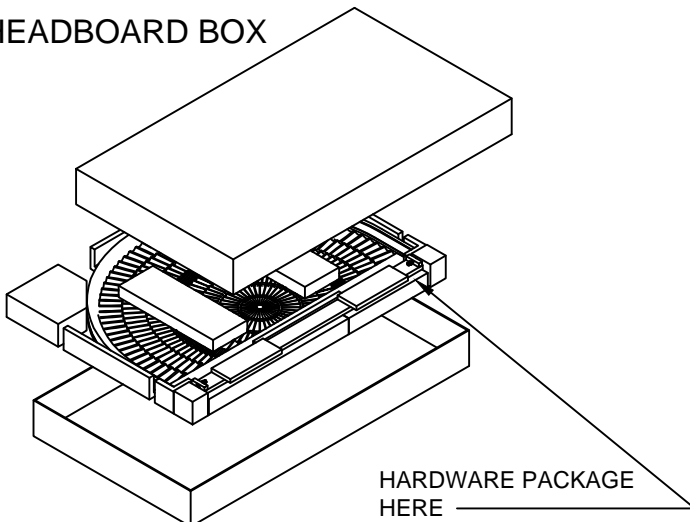
FULL ARCHED PANEL HEADBOARD HARDWARE LIST			Q'TY
1	Allen key 4*74*29mm		1PC
2	Bolt 5/16"-10*1-1/2" (PRE-ASSEMBLED) Spring washer 5/16" (PRE-ASSEMBLED) Flat washer 5/16" (PRE-ASSEMBLED) Threaded Washer 5/16" (PRE-ASSEMBLED)		10PCS
3	Bolt 5/16"-15*3/4" (PRE-ASSEMBLED) Spring washer 5/16" (PRE-ASSEMBLED) Flat washer 5/16" (PRE-ASSEMBLED)		4PCS

FULL PANEL FOOTBOARD HARDWARE LIST			Q'TY
4	Screw #8*1-3/16"		10PCS
5	Screwdriver (not provided)		
6	Bolt 5/16"-15*3/4" (PRE-ASSEMBLED) Spring washer 5/16" (PRE-ASSEMBLED) Flat washer 5/16" (PRE-ASSEMBLED)		4PCS

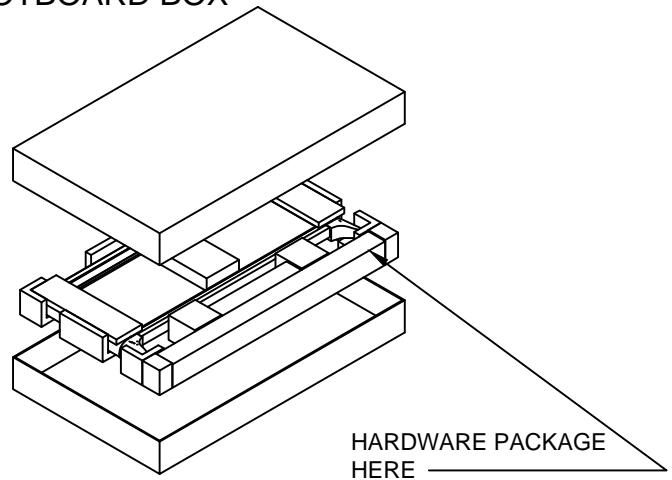
Hardware Pack Location(s):

SKU #	ITEM#	COLOR	ITEM DESCRIPTION
35226871	2687-20H	WIREBRUSH GRAY	FULL ARCHED PANEL HEADBOARD
34926874	2687-18F	WIREBRUSH GRAY	FULL PANEL FOOTBOARD

HEADBOARD BOX



FOOTBOARD BOX



This product is manufactured by HOUS for **ROOMS TO GO®** | **KIDS**

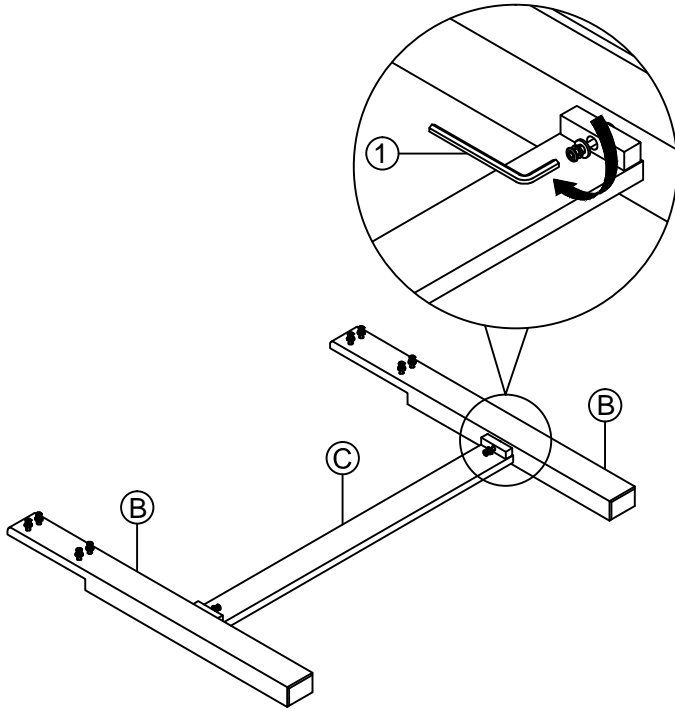
DO NOT USE SUBSTITUTE PARTS. PLEASE CONTACT YOUR RETAIL STORE OR WWW.ROOMSTOGO.COM
WITH SERVICE OR PARTS REPLACEMENT REQUEST

ASSEMBLY INSTRUCTION

***Caution: Please read all instructions carefully before starting the assembly process. These parts are cumbersome and heavy. Therefore, two people are recommended in order to prevent personal injury and ensure the parts are not damaged during the assembly.

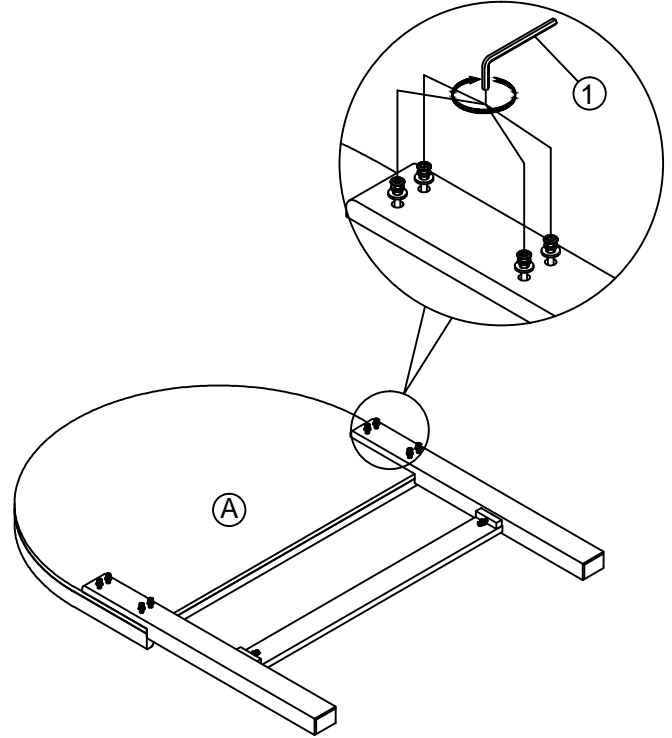
Remark: The bolts (2) were pre-installed on the stretcher.

Step 1: Put stretcher (C) between left & right headboard leg (B) by using allen key (1) tighten the bolts.



Remark: The bolts (2) were pre-installed on headboard leg.

Step 2: Insert left & right headboard leg (B) into the headboard (A) by using allen key (1) tighten the bolts.



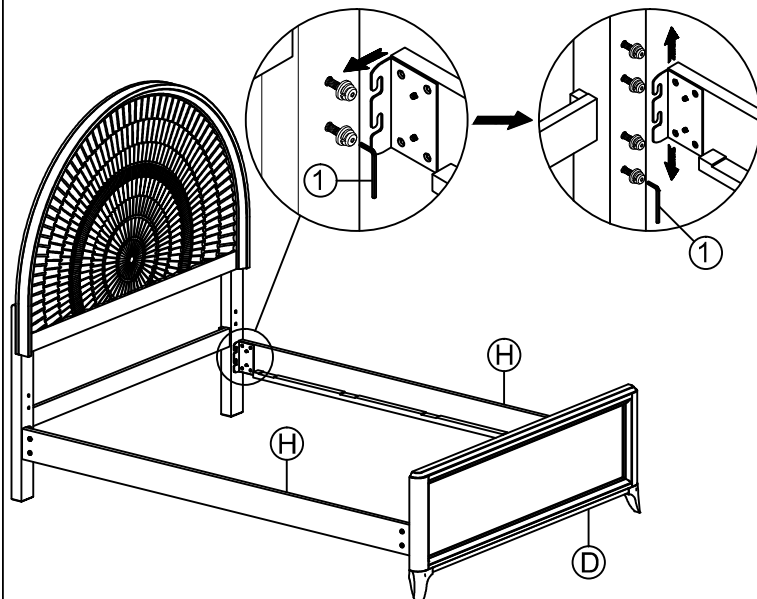
Remark: The bolts (3&6) were pre-installed on headboard leg and footboard.

Step 3: Loosen the hanger bolts first to make room for the hooks to engage.

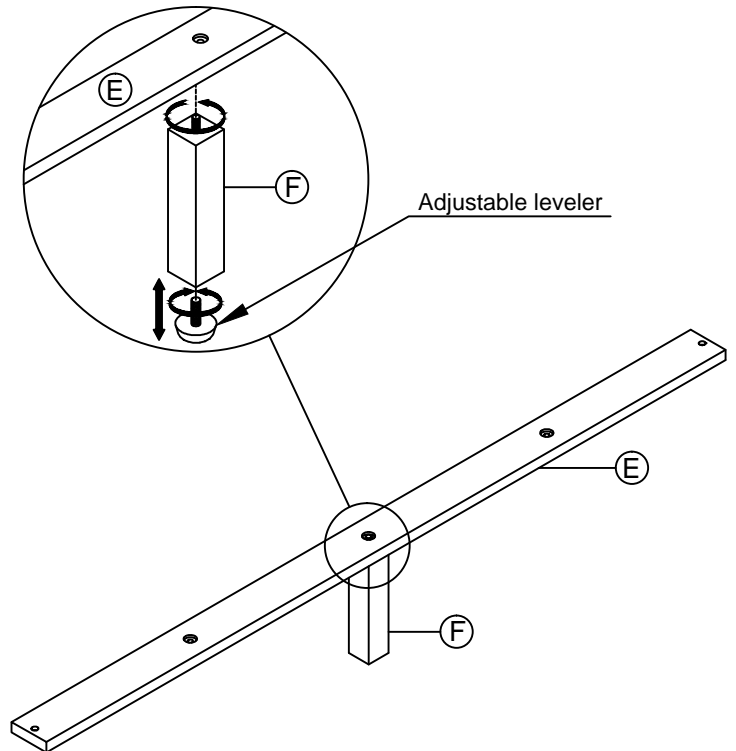
After the hooks are securely hung in place, tighten the hanger bolts.

Move the side rails up and down to use the high or low mattress position.

Notes: Use Upper Setting (HIGH RAIL POSITION) when using with a trundle.



Step 4: Use the low rail position, attach long support leg (F) to slat (E) by turning clockwise.



This product is manufactured by HOUS for ROOMS TO GO® | KIDS

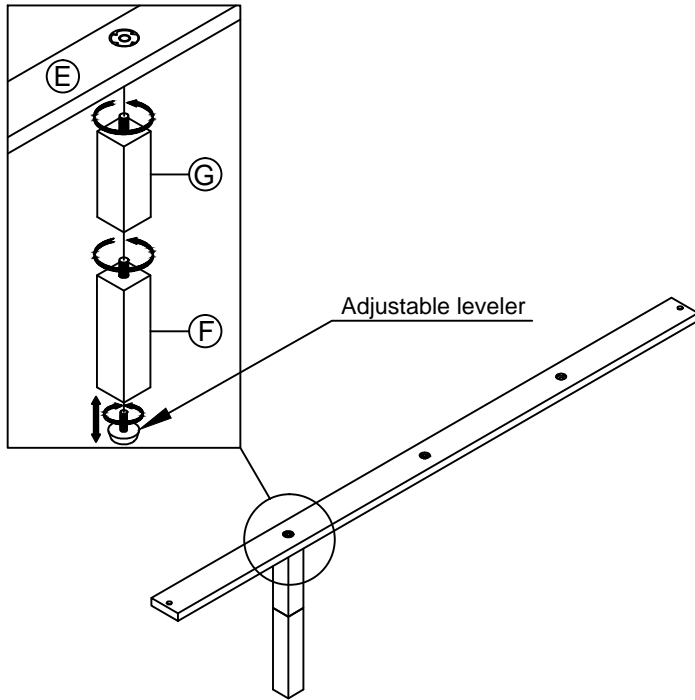
DO NOT USE SUBSTITUTE PARTS. PLEASE CONTACT YOUR RETAIL STORE OR WWW.ROOMSTOGO.COM WITH SERVICE OR PARTS REPLACEMENT REQUEST

ASSEMBLY INSTRUCTION

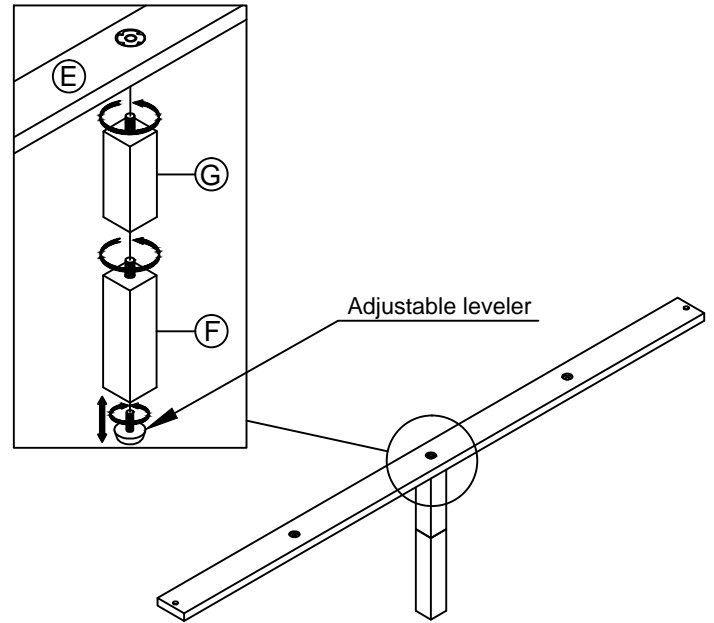
***Caution: Please read all instructions carefully before starting the assembly process. These parts are cumbersome and heavy. Therefore, two people are recommended in order to prevent personal injury and ensure the parts are not damaged during the assembly.

Step 5: Use the high rail position, connect long support leg (F) to short support leg (G), and attach them to slat (E) by turning clockwise.

*Use with trundle

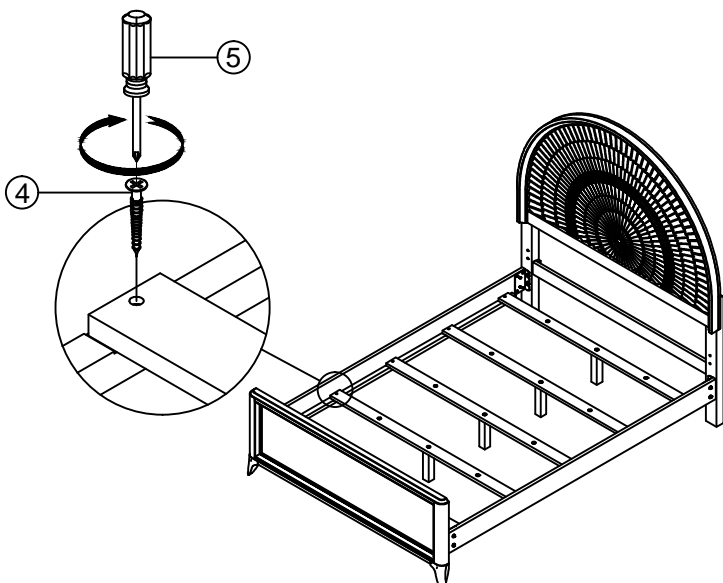


*Use without trundle

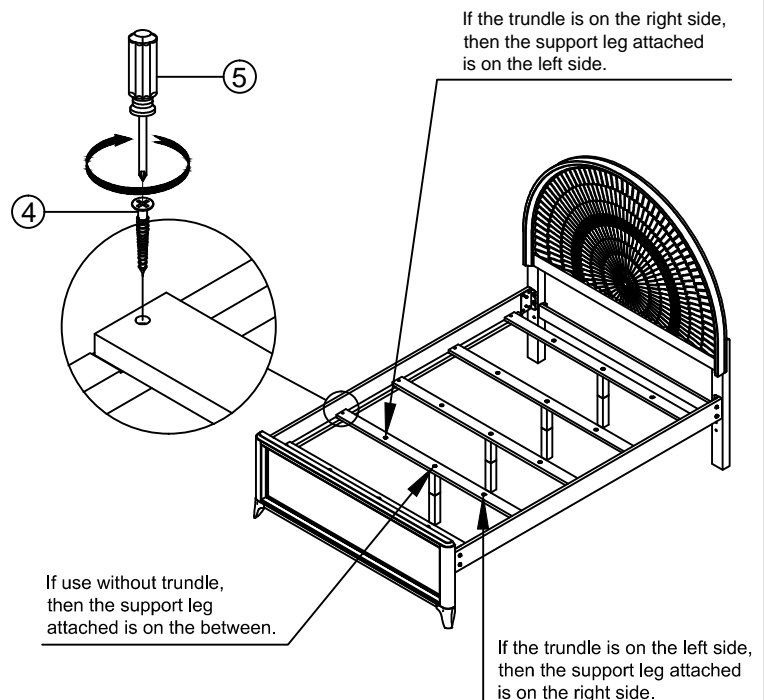


Step 6: Put slat (E) on side rails (H) and tighten screw (4) by using screwdriver (not provided).

*Use the low rail position



*Use the high rail position



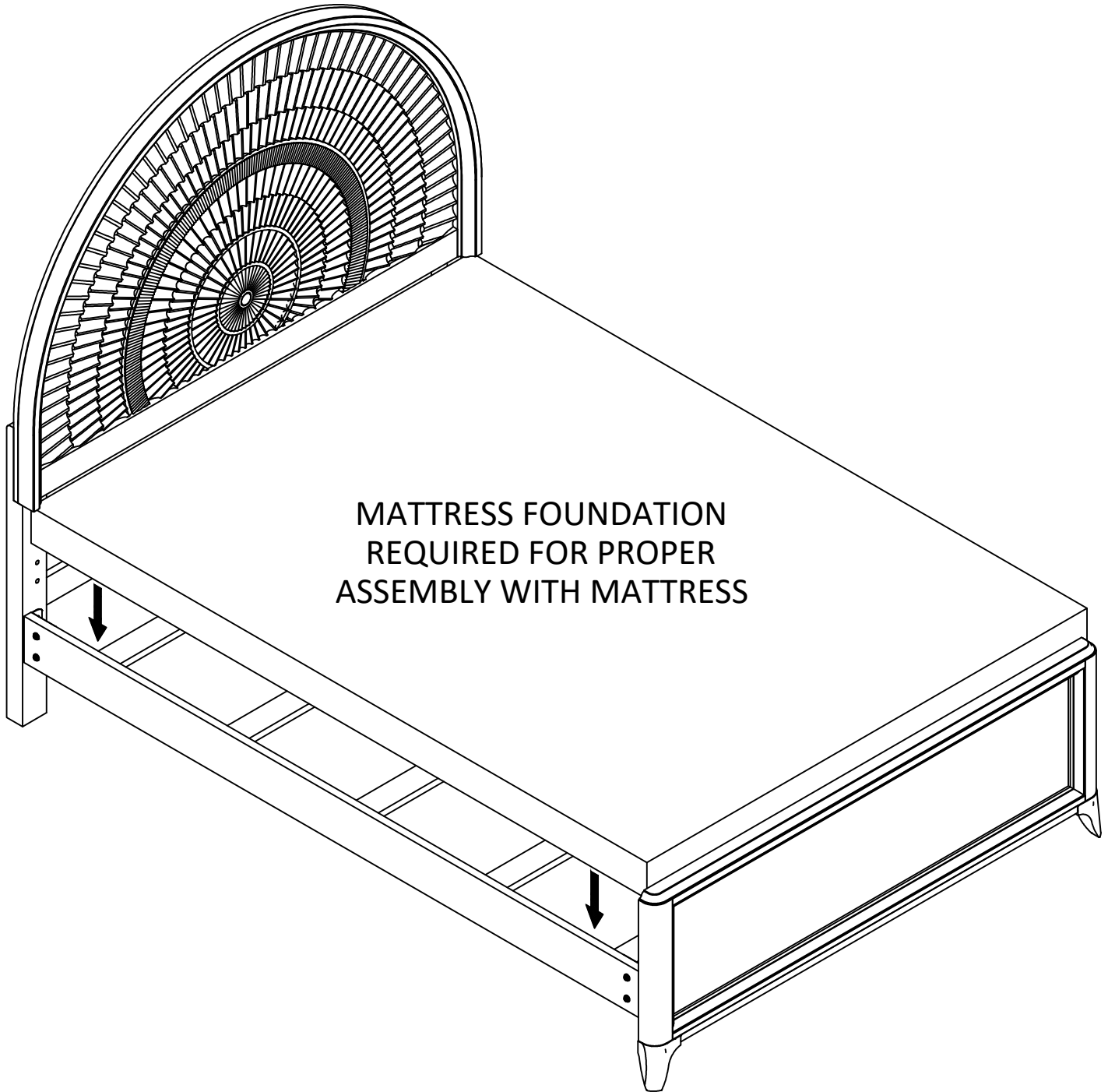
This product is manufactured by HOUS for ROOMS TO GO® | KIDS

DO NOT USE SUBSTITUTE PARTS. PLEASE CONTACT YOUR RETAIL STORE OR WWW.ROOMSTOGO.COM WITH SERVICE OR PARTS REPLACEMENT REQUEST

ASSEMBLY INSTRUCTION

***Caution: Please read all instructions carefully before starting the assembly process. These parts are cumbersome and heavy. Therefore, two people are recommended in order to prevent personal injury and ensure the parts are not damaged during the assembly.

Remark: Mattress Foundation sold separately.



This product is manufactured by HOUS for ROOMS TO GO® | KIDS

DO NOT USE SUBSTITUTE PARTS. PLEASE CONTACT YOUR RETAIL STORE OR WWW.ROOMSTOGO.COM
WITH SERVICE OR PARTS REPLACEMENT REQUEST