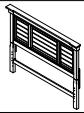






HOUS 4092-71H	TW 3/3 Panel Headboard - White	SKU# 34540927	HOUS 4094-71H	TW 3/3 Panel Headboard - Gray	SKU# 34540941
HOUS 4092-79H	TW 3/3 Bookcase Headboard - White	SKU# 34640929	HOUS 4094-79H	TW 3/3 Bookcase Headboard - Gray	SKU# 34640943
HOUS 4092-71F	TW 3/3 Panel filled Footboard w/slats - White	SKU# 34740921	HOUS 4094-71F	TW 3/3 Panel filled Footboard w/slats - Gray	SKU# 34740945
HOUS 4092-71R	TW 3/3-FL 4/6 Rails - White	SKU# 35140920	HOUS 4094-71R	TW 3/3-FL 4/6 Rails - Gray	SKU# 35140944
HOUS 4092-72H	FL 4/6 Panel Headboard - White	SKU# 34840923	HOUS 4094-72H	FL 4/6 Panel Headboard - Gray	SKU# 34840947
HOUS 4092-80H	FL 4/6 Bookcase Headboard - White	SKU# 34940925	HOUS 4094-80H	FL 4/6 Bookcase Headboard - Gray	SKU# 34940949
HOUS 4092-72F	FL 4/6 Panel filled Footboard w/slats - White	SKU# 35040928	HOUS 4094-72F	FL 4/6 Panel filled Footboard w/slats - Gray	SKU# 35040942
HOUS 4096-71H	TW 3/3 Panel Headboard - Graphite	SKU# 34540965			
HOUS 4096-79H	TW 3/3 Bookcase Headboard - Graphite	SKU# 34640967			
HOUS 4096-71F	TW 3/3 Panel filled Footboard w/slats - Graphite	SKU# 34740969			
HOUS 4096-71R	TW 3/3-FL 4/6 Rails - Graphite	SKU# 35140968			
HOUS 4096-72H	FL 4/6 Panel Headboard - Graphite	SKU# 34840961			
HOUS 4096-80H	FL 4/6 Bookcase Headboard - Graphite	SKU# 34940963			
HOUS 4096-72F	FL 4/6 Panel filled Footboard w/slats - Graphite	SKU# 35040966			

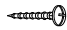
Thank you for purchasing this quality product. Be sure to check all packing materials carefully for small parts which may have come loose inside the carton during shipment. Identify and count all parts and compare with the parts list below.

\*\*Assemble the product on a flat, soft surface such as a carpet or cloth to prevent scratching the finish. Read all instruction and study the drawings carefully before starting the assembly process.

**Part list**

NO.	SKETCH	DESCRIPTION	Q'TY
A		Panel Headboard	1 pc
B		Side Rails	2 pcs
C		Panel Footboard	1 pc
D		Slat	4 pcs
E		Bookcase Headboard	1 pc

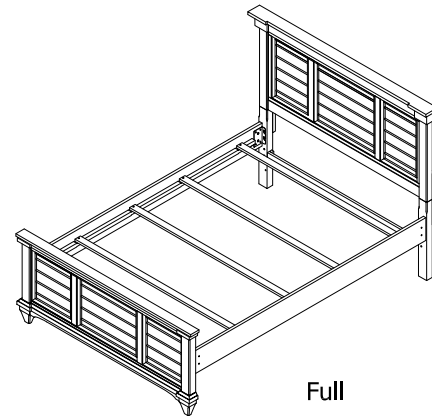
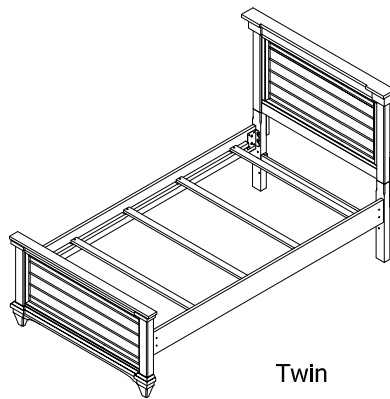
**Footboard Hardware list**

NO.	SKETCH	DESCRIPTION	Q'TY
a		#8x1" Screw	8 pcs

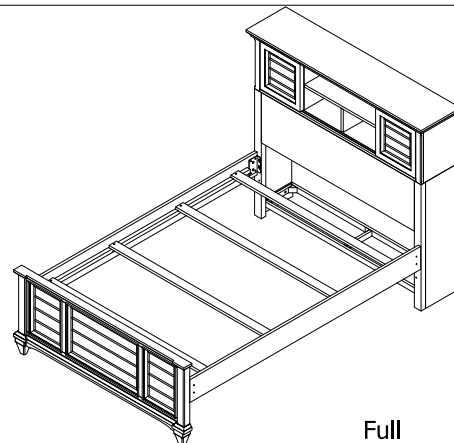
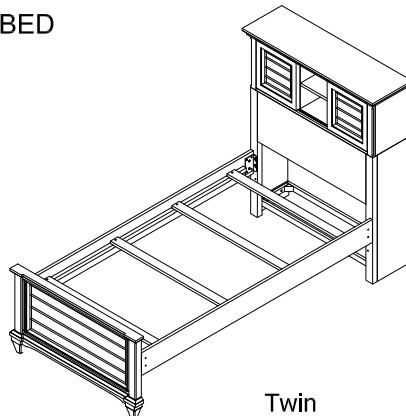
**TOOLS REQUIRED (NOT PROVIDED)**

PHILLIPS SCREWDRIVER	
----------------------	-------------------------------------------------------------------------------------

**OPTION 1: PANEL BED**



**OPTION 2: BOOKCASE BED**





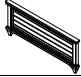

**Cleaning Instruction:** Clean finished parts with a mild dishwashing liquid and water solution on a damp cloth. Polish the finish with soft cloth and an industry recognized furniture polish.

# Assembly Instruction

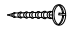
HOUS 4092-71H	TW 3/3 Panel Headboard - White	SKU# 34540927	HOUS 4094-71H	TW 3/3 Panel Headboard - Gray	SKU# 34540941
HOUS 4092-71F	TW 3/3 Panel filled Footboard w/slats - White	SKU# 34740921	HOUS 4094-71F	TW 3/3 Panel filled Footboard w/slats - Gray	SKU# 34740945
HOUS 4092-71R	TW 3/3-FL 4/6 Rails - White	SKU# 35140920	HOUS 4094-71R	TW 3/3-FL 4/6 Rails - Gray	SKU# 35140944
HOUS 4092-72H	FL 4/6 Panel Headboard - White	SKU# 34840923	HOUS 4094-72H	FL 4/6 Panel Headboard - Gray	SKU# 34840947
HOUS 4092-72F	FL 4/6 Panel filled Footboard w/slats - White	SKU# 35040928	HOUS 4094-72F	FL 4/6 Panel filled Footboard w/slats - Gray	SKU# 35040942
HOUS 4096-71H	TW 3/3 Panel Headboard - Graphite	SKU# 34540965			
HOUS 4096-71F	TW 3/3 Panel filled Footboard w/slats - Graphite	SKU# 34740969			
HOUS 4096-71R	TW 3/3-FL 4/6 Rails - Graphite	SKU# 35140968			
HOUS 4096-72H	FL 4/6 Panel Headboard - Graphite	SKU# 34840961			
HOUS 4096-72F	FL 4/6 Panel filled Footboard w/slats - Graphite	SKU# 35040966			

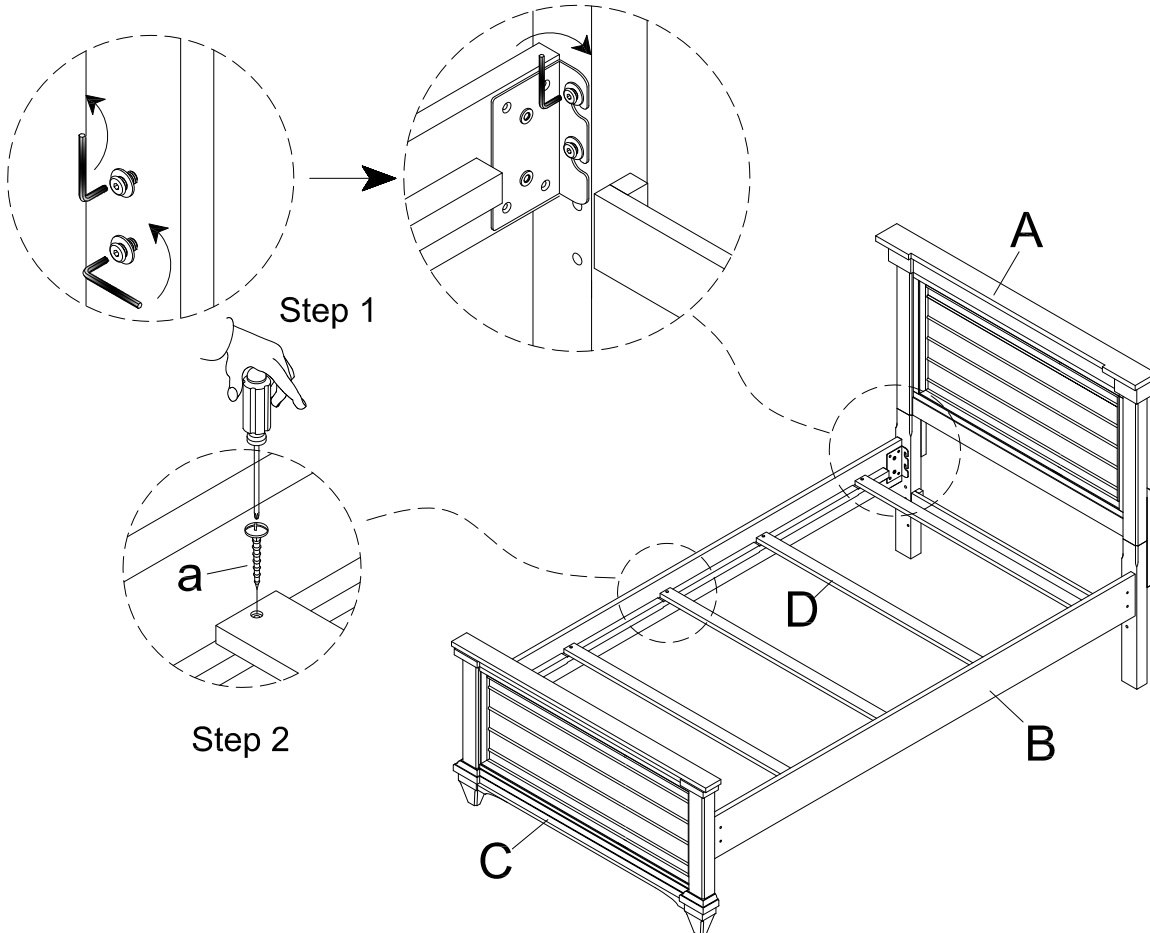
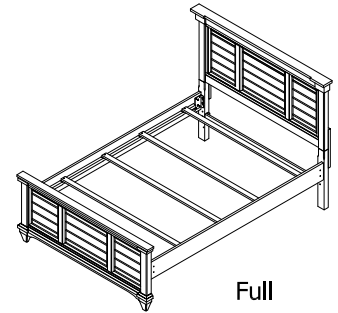
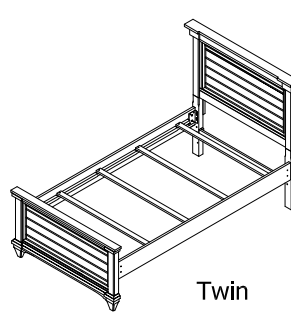
Thank you for purchasing this quality product. Be sure to check all packing materials carefully for small parts which may have come loose inside the carton during shipment. Identify and count all parts and compare with the parts list below.  
**\*\*Assemble the product on a flat, soft surface such as a carpet or cloth to prevent scratching the finish. Read all instruction and study the drawings carefully before starting the assembly process.**

**Part list**

NO.	SKETCH	DESCRIPTION	Q'TY
A		Panel Headboard	1 pc
B		Side Rails	2 pcs
C		Panel Footboard	1 pc
D		Slat	4 pcs

**Footboard Hardware list**

NO.	SKETCH	DESCRIPTION	Q'TY
a		#8x1" Screw	8 pcs



**Cleaning Instruction:** Clean finished parts with a mild dishwashing liquid and water solution on a damp cloth. Polish the finish with soft cloth and an industry recognized furniture polish.

HOUS 4092-79H	TW 3/3 Bookcase Headboard - White	SKU# 34640929	HOUS 4094-79H	TW 3/3 Bookcase Headboard - Gray	SKU# 34640943
HOUS 4092-71F	TW 3/3 Panel filled Footboard w/slats - White	SKU# 34740921	HOUS 4094-71F	TW 3/3 Panel filled Footboard w/slats - Gray	SKU# 34740945
HOUS 4092-71R	TW 3/3-FL 4/6 Rails - White	SKU# 35140920	HOUS 4094-71R	TW 3/3-FL 4/6 Rails - Gray	SKU# 35140944
HOUS 4092-80H	FL 4/6 Bookcase Headboard - White	SKU# 34940925	HOUS 4094-80H	FL 4/6 Bookcase Headboard - Gray	SKU# 34940949
HOUS 4092-72F	FL 4/6 Panel filled Footboard w/slats - White	SKU# 35040928	HOUS 4094-72F	FL 4/6 Panel filled Footboard w/slats - Gray	SKU# 35040942
HOUS 4096-79H TW 3/3 Bookcase Headboard - Graphite		SKU# 34640967			
HOUS 4096-71F TW 3/3 Panel filled Footboard w/slats - Graphite		SKU# 34740969			
HOUS 4096-71R TW 3/3-FL 4/6 Rails - Graphite		SKU# 35140968			
HOUS 4096-80H FL 4/6 Bookcase Headboard - Graphite		SKU# 34940963			
HOUS 4096-72F FL 4/6 Panel filled Footboard w/slats - Graphite		SKU# 35040966			

Thank you for purchasing this quality product. Be sure to check all packing materials carefully for small parts which may have come loose inside the carton during shipment. Identify and count all parts and compare with the parts list below.

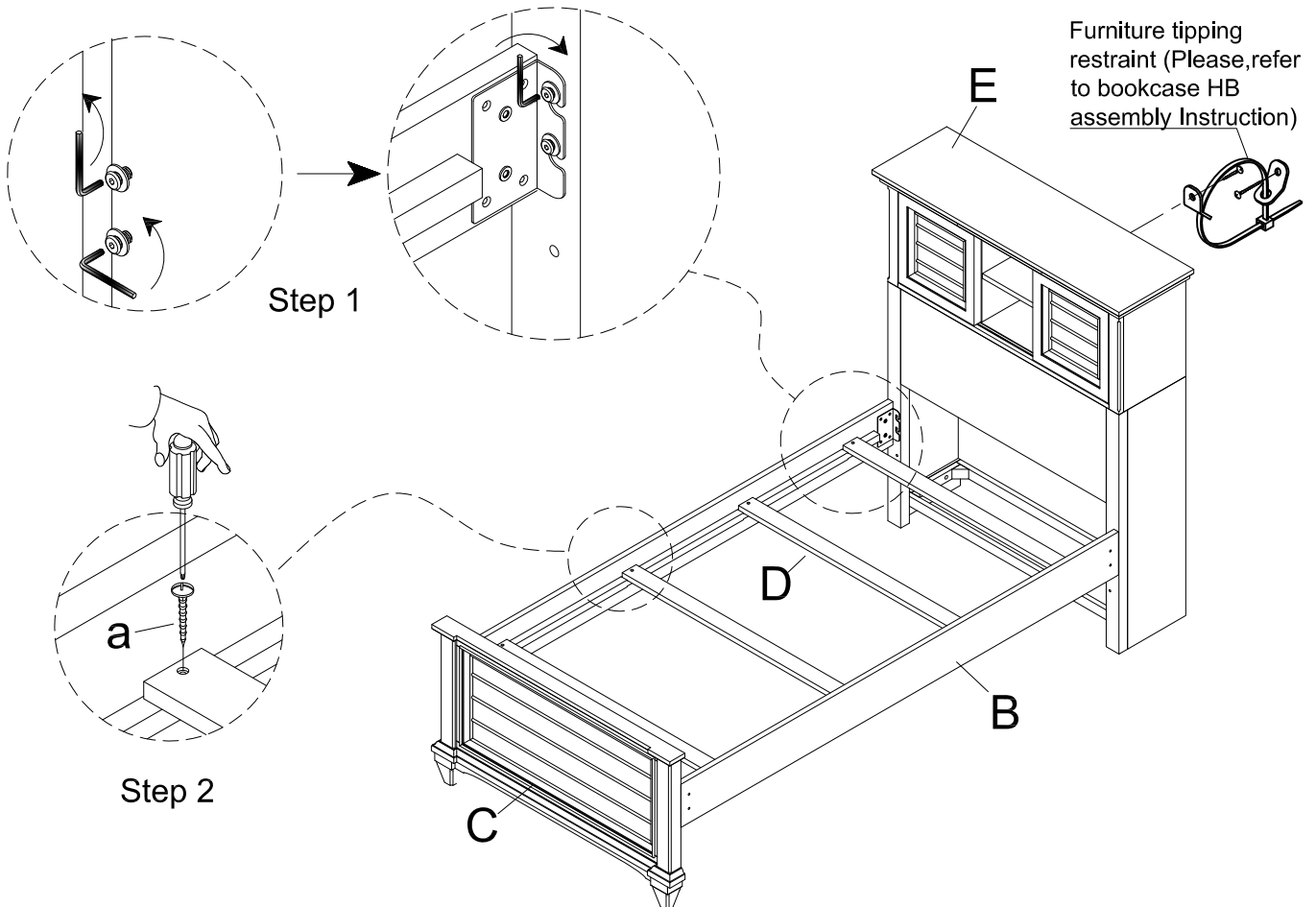
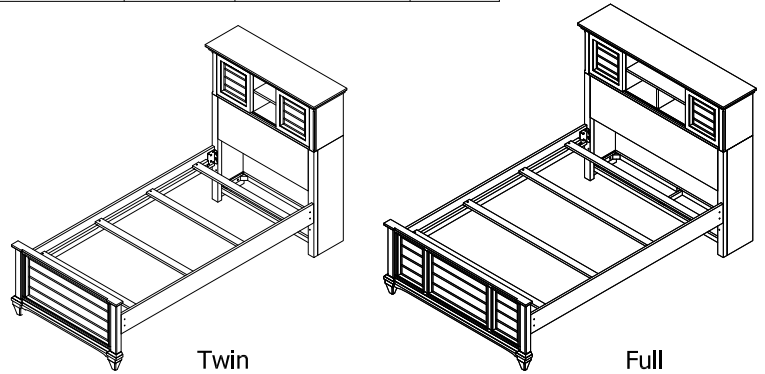
\*\*Assemble the product on a flat, soft surface such as a carpet or cloth to prevent scratching the finish. Read all instruction and study the drawings carefully before starting the assembly process.

**Part list**

NO.	SKETCH	DESCRIPTION	Q'TY
E		Bookcase Headboard	1 pc
B		Side Rails	2 pcs
C		Panel Footboard	1 pc
D		Slat	4 pcs

**Footboard Hardware list**

NO.	SKETCH	DESCRIPTION	Q'TY
a		#8x1" Screw	8 pcs



**Cleaning Instruction:** Clean finished parts with a mild dishwashing liquid and water solution on a damp cloth. Polish the finish with soft cloth and an industry recognized furniture polish.