






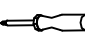
ASSEMBLY INSTRUCTION


487 - 44 DESK (WHITE)		
SKU#	ITEM#	ITEM DESCRIPTION
34348703	487 - 44	DESK

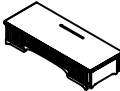


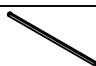
Thank you for purchasing this quality product. Be sure to check all packing material carefully for small parts which may have come loose inside the carton during transit. Identify and count all parts and compare with the parts list below.

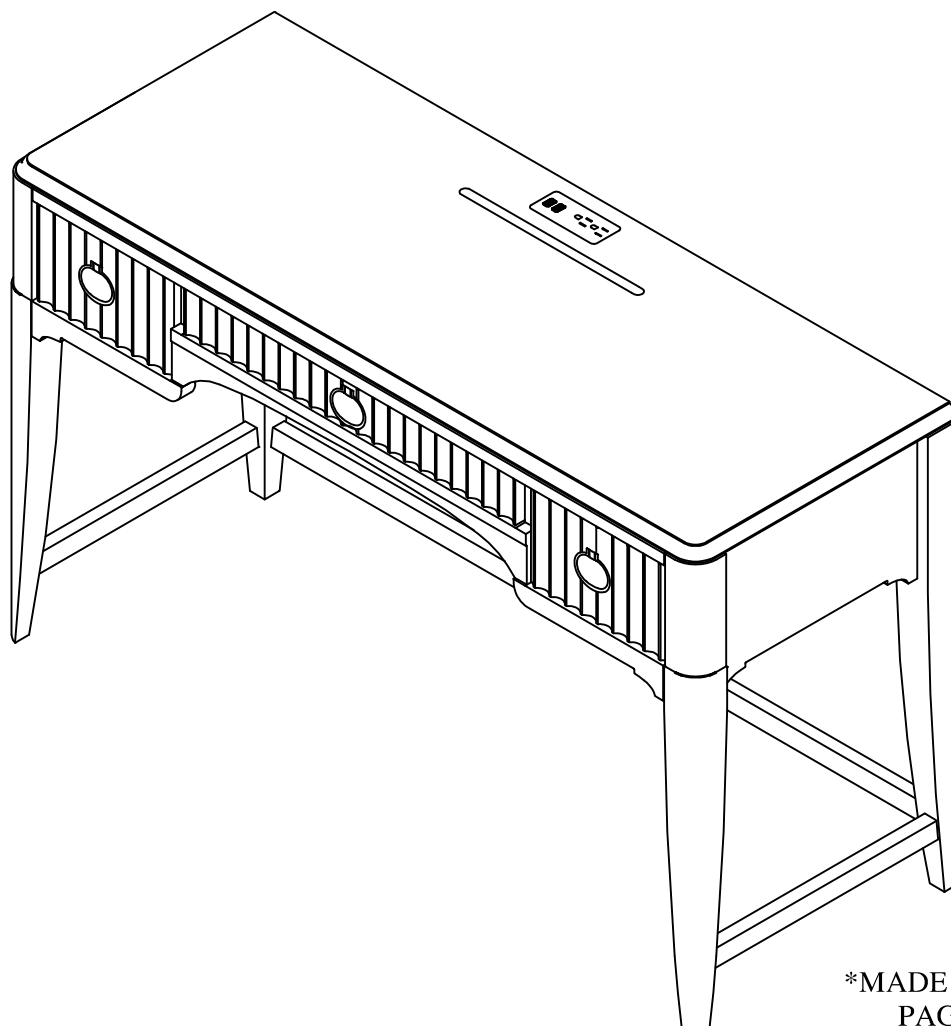
HARDWARE LIST		QTY
1		φ5/16"x1-1/2" Bolt 8pcs
		φ5/16"x14mm Lock washer 8pcs
		φ5/16"x18mm Flat washer 8pcs
2		4mm Allen Key 1pc
3		8xL1-1/2" Screw 2pcs

**Note: Hardware bag is placed in item 487-44.*

HARDWARE REQUIRED		QTY
4		Screwdriver (Not Provided) 1pc

HARDWARE LIST		QTY
5		Furniture tipping restraint (Packed with Desk together) 1Set

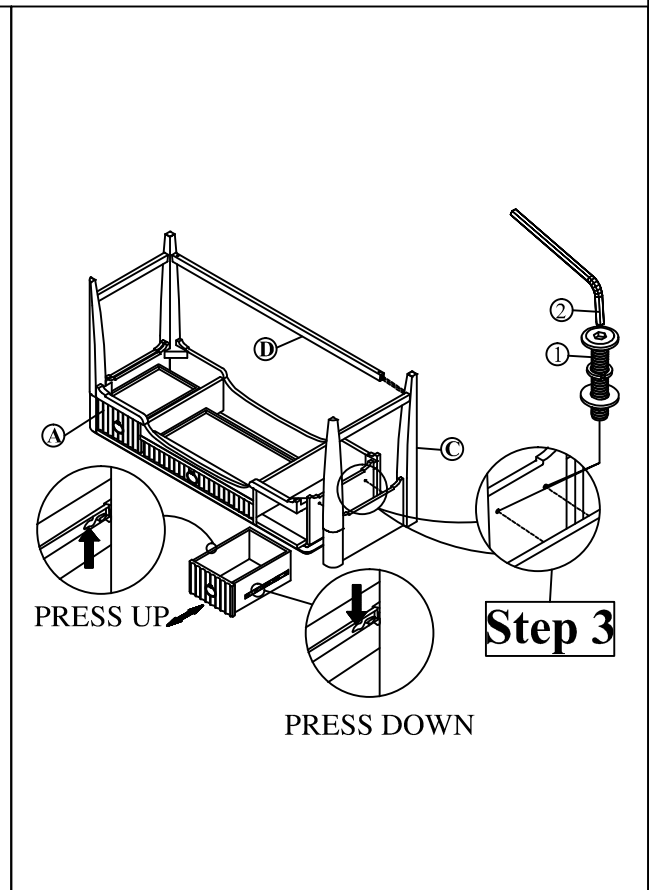
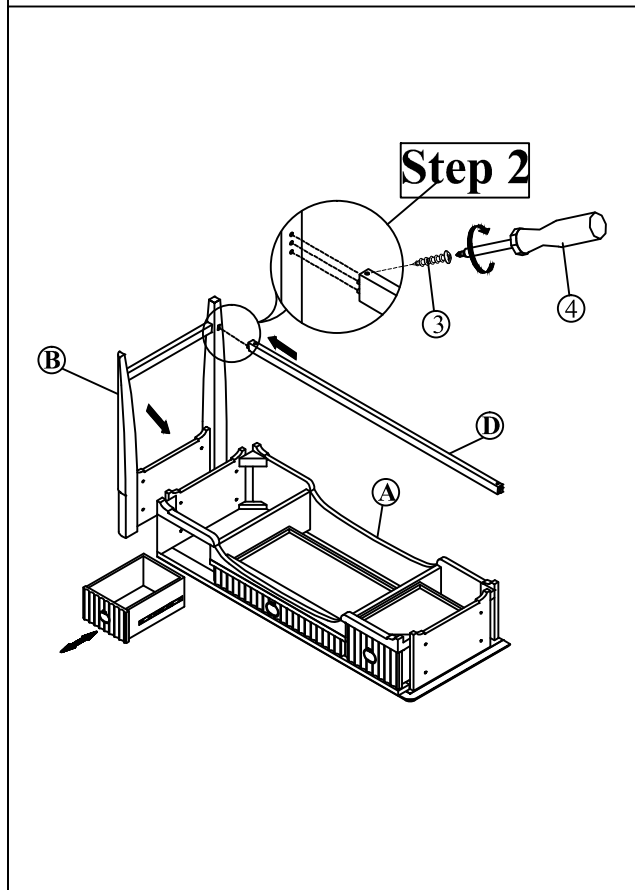
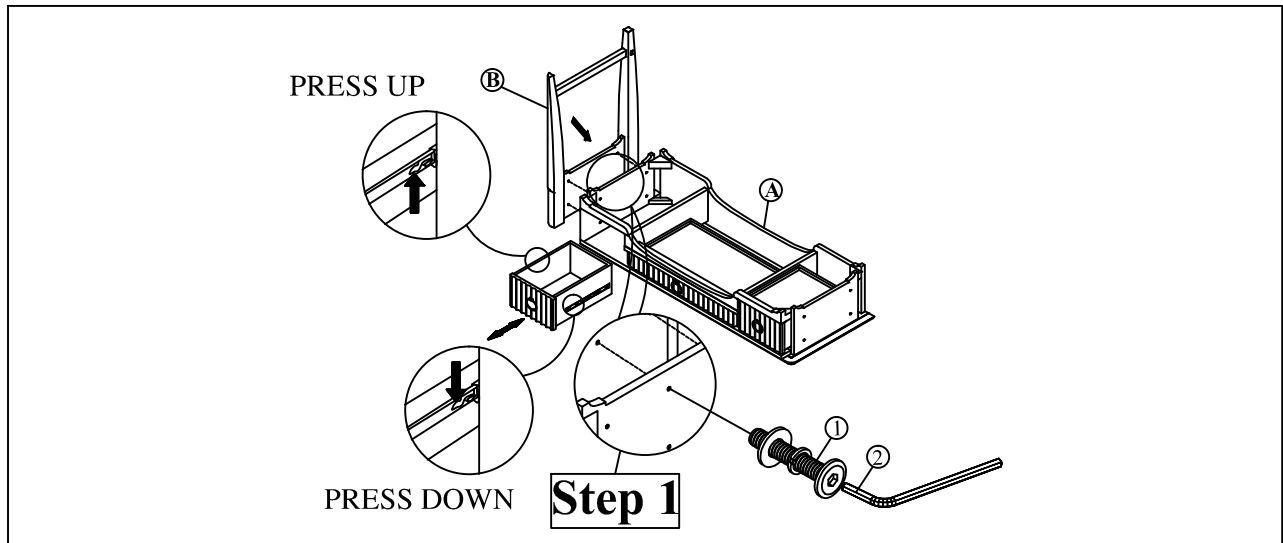
PARTS LIST			QTY
A	Top Panel (Includes Drawer pulls)		1pc
B	Right Leg Frame		1pc
C	Left Leg Frame		1pc
D	Foot Brace Bar		1pc



ASSEMBLY INSTRUCTION

487 - 44 DESK (WHITE)		
SKU#	ITEM#	ITEM DESCRIPTION
34348703	487 - 44	DESK

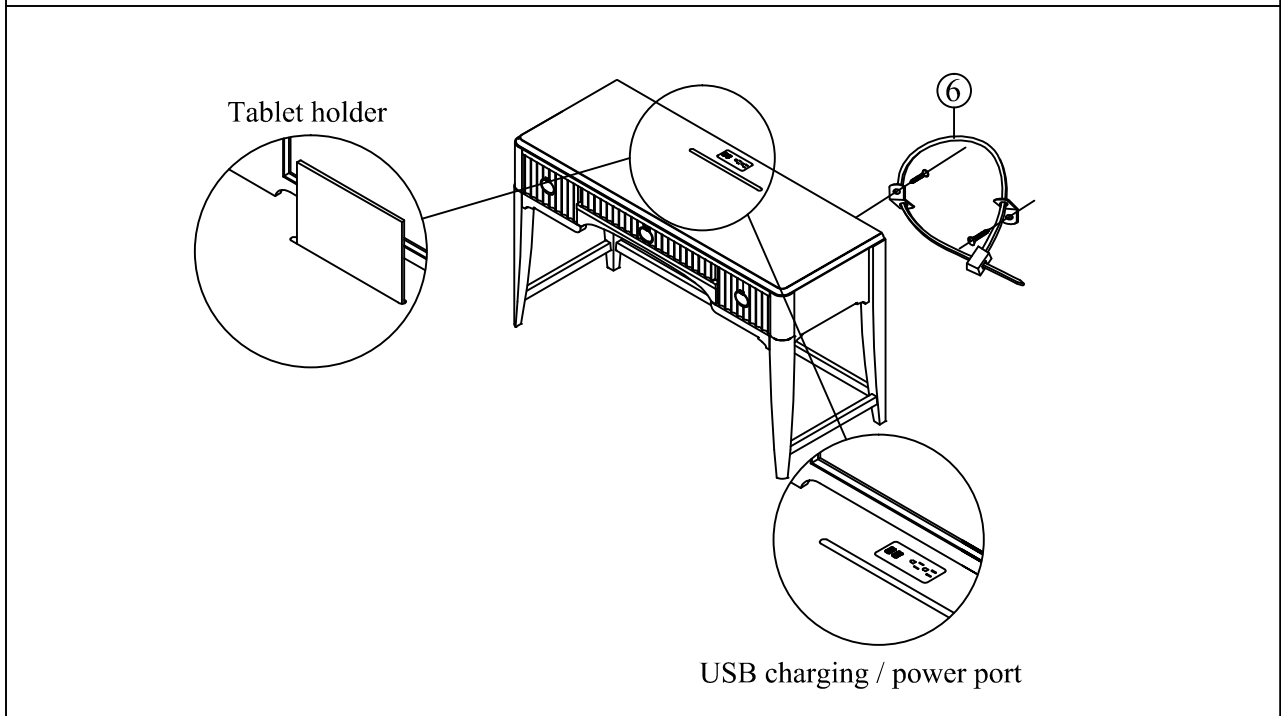
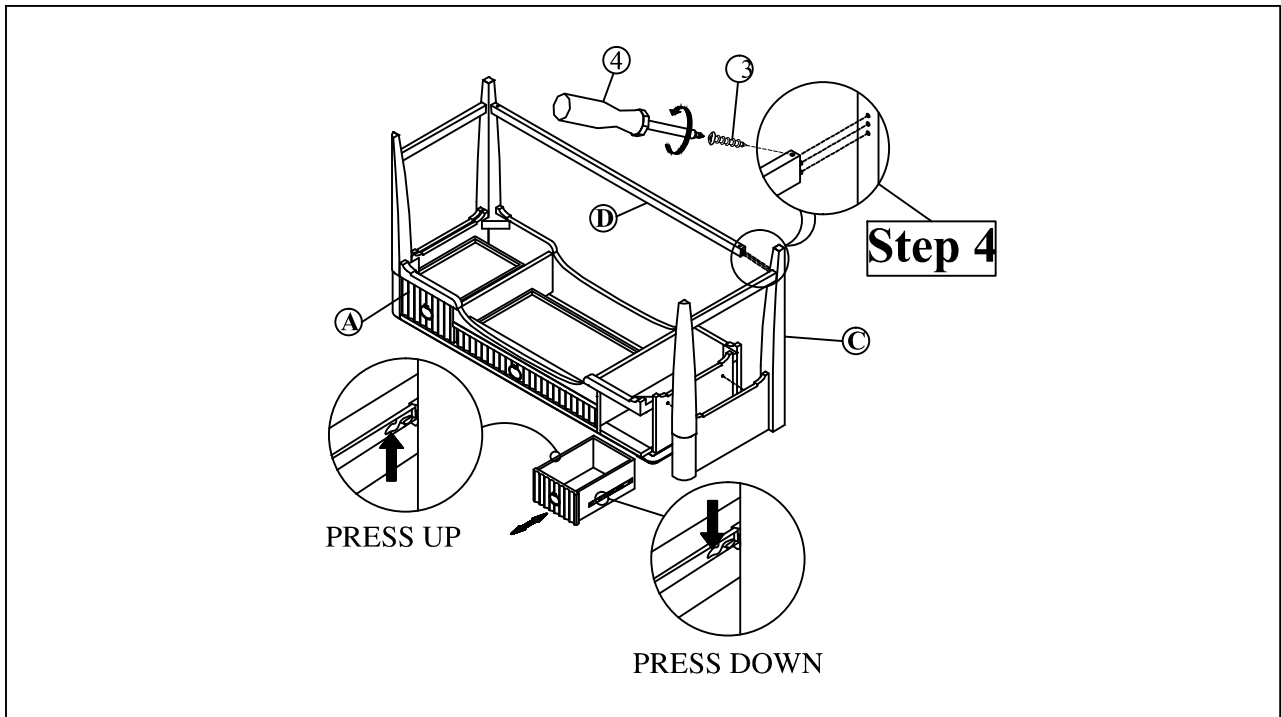
Thank you for purchasing this quality product. Be sure to check all packing material carefully for small parts which may have come loose inside the carton during transit. Identify and count all parts and compare with the parts list below.



ASSEMBLY INSTRUCTION

487 - 44 DESK (WHITE)		
SKU#	ITEM#	ITEM DESCRIPTION
34348703	487 - 44	DESK

Thank you for purchasing this quality product. Be sure to check all packing material carefully for small parts which may have come loose inside the carton during transit. Identify and count all parts and compare with the parts list below.



ASSEMBLY INSTRUCTION

487 - 44 DESK (WHITE)		
SKU#	ITEM#	ITEM DESCRIPTION
34348703	487 - 44	DESK

Thank you for purchasing this quality product. Be sure to check all packing material carefully for small parts which may have come loose inside the carton during transit. Identify and count all parts and compare with the parts list below.

⚠ WARNING
Misuse can result in FIRE or DEATH by ELECTRICAL SHOCK

ELECTRICAL RATING:120VAC 12AMPERES
DONGGUAN JUNLONG METALS PRODUCTS CO.,LTD
POWER SUPPLY CORD:SJT 14AWG

Read all instructions before using this furnishing.

DANGER – To reduce the risk of electric shock
1. Always unplug this furnishing from the electrical outlet before cleaning or servicing.

WARNING – To reduce the risk of burns, fire, electric shock, or injury to persons:

1. Unplug from outlet before putting on or taking off parts.
2. Never operate this furnishing if it has a damaged electrical cord or plug, if it is not working properly, or if the electrical cord or plug has been damaged or dropped into water. Stop using this furnishing and call a service center for examination and repair
3. Keep the electrical cord and plug away from heated surfaces and other heat sources.
4. To disconnect, turn all controls to the off position, then remove plug from outlet.
5. When operating, ensure that electrical cord is not under the base, legs, or motion mechanism to avoid damage to electrical cord or plug.
6. Do not strain or stretch electrical cord.
7. Do not use extension cords or power strips.
8. Keep out of reach of children. This is not a toy.

“WARNING: Risk of Electric Shock – Connect this furnishing to a properly grounded outlet only. See Grounding Instructions.”

⚠ WARNING
El mal uso puede provocar INCENDIO o MUERTE por DESCARGA ELÉCTRICA

CLASIFICACION ELECTTRICA:120VAC 12AMPERES
DONGGUAN JUNLONG PRODUCTOS DE METALES CO.,LTD
CABLE DE ALIMENTACION:SJT 14AWG

Leer todas las instrucciones antes de usar este mobiliario.

PELIGRO – Para reducir el riesgo de descarga eléctrica:
1. Siempre desenchufe este accesorio de la toma de corriente eléctrica antes de limpiarlo o repararlo.

ADVERTENCIA: para reducir el riesgo de quemaduras, incendios, descargas eléctricas o lesiones a personas:

1. Desenchufe del tomacorriente antes de colocar o quitar partes.
2. Nunca opere este accesorio si tiene un cable o enchufe eléctrico dañado, si no funciona correctamente, o si el cable o el enchufe eléctrico se ha dañado o se ha caído al agua. Deje de usar este equipamiento y llame a un centro de servicio para que lo examinen y lo reparen.
3. Mantenga el cable eléctrico y el enchufe lejos de superficies calientes y otras fuentes de calor.
4. Para desconectar, gire todos los controles a la posición de apagado, luego retire el enchufe del tomacorriente.
5. Al operar, asegúrese de que el cable eléctrico no esté debajo de la base, las patas o el mecanismo de movimiento para evitar dañar el cable eléctrico o el enchufe.
6. No fuerce ni estire el cable eléctrico.
7. No utilizar cables de extensión o tomas de corriente.
8. Mantener fuera del alcance de los niños. Esto no es un juguete

“ADVERTENCIA: Riesgo de descarga eléctrica: conecte este accesorio únicamente a una toma de corriente debidamente conectada a tierra. Vea las instrucciones de conexión a tierra.”