
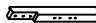



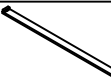



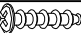


# ASSEMBLY INSTRUCTION

487 - TWIN / FULL BED (WHITE)		
SKU#	ITEM#	ITEM DESCRIPTION
34648709	487 - 17H	TWIN PANEL HEADBOARD
34748701	487 - 17F	TWIN PANEL FOOTBOARD W/SLATS
34848703	487 - 18H	FULL PANEL HEADBOARD
34948705	487 - 18F	FULL PANEL FOOTBOARD W/SLATS
35048708	487 - 17R	TWIN / FULL RAILS

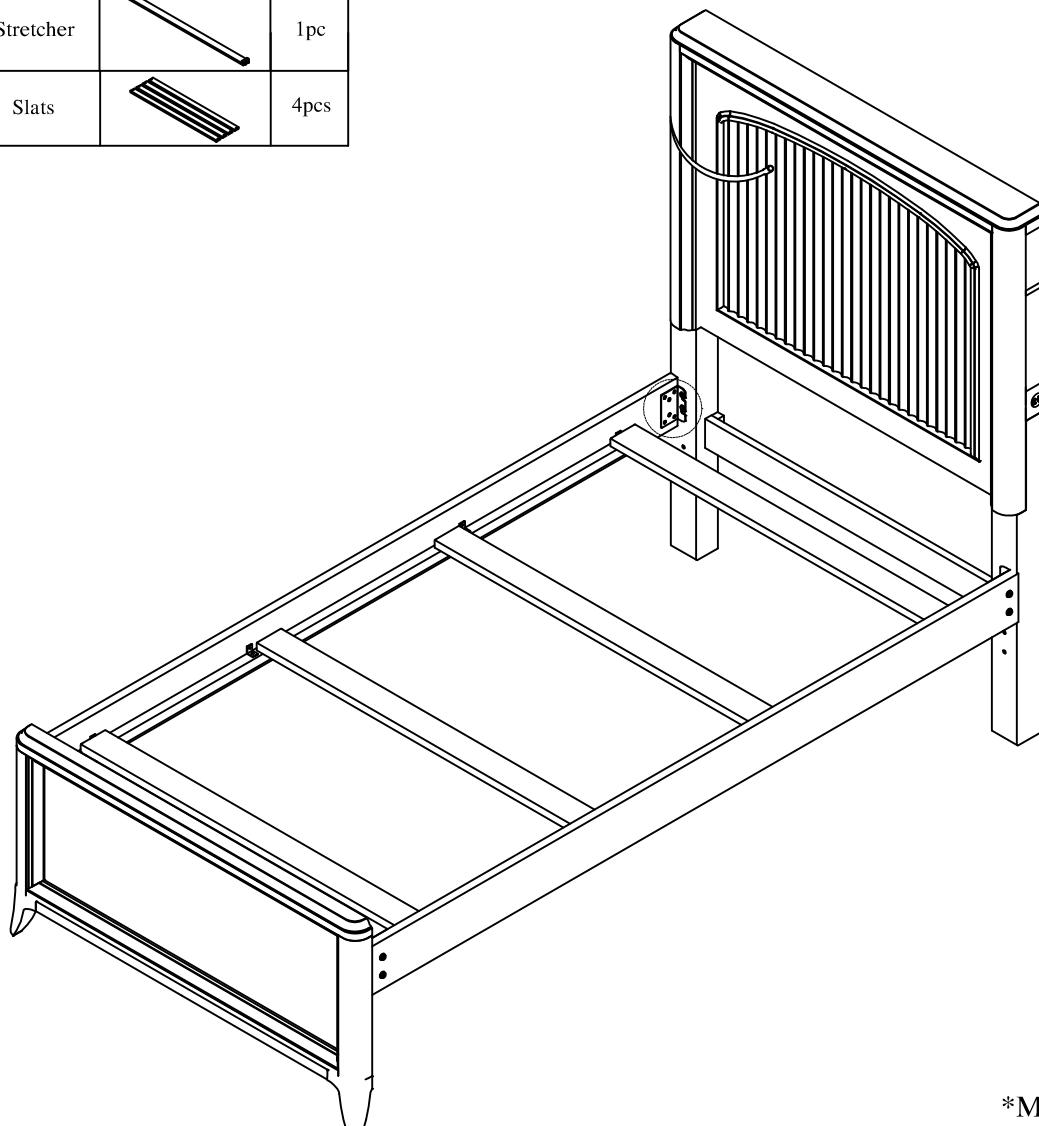
**Thank you for purchasing this quality product . Be sure to check all packing material carefully for small parts which may have come loose inside the carton during shipment .Identify and count all parts and compare with the parts list below .**

PARTS LIST			QTY
A	HeadBoard		1pc
B	HB Posts	 (R)	2pcs
		 (L)	
C	FootBoard		1pc
D	Side Rails		2pcs
E	Stretcher		1pc
F	Slats		4pcs

HARDWARE LIST			QTY
1		φ5/16" x 2" Bolt	10pcs
		φ5/16"x14mm Lock washer	
		φ5/16"x18mm Flat washer	
2		Allen Key 4mm	1pc
3		φ8"x1" Screw	8pcs

*\*Note: Hardware bag is placed in items 487-17H, 487-17F, 487-18H, 487-18F.*

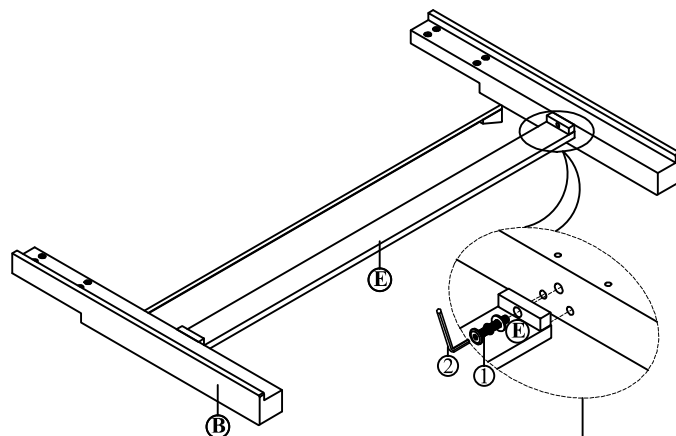
HARDWARE REQUIRED			QTY
4		Screwdriver (Not Provided)	1pc



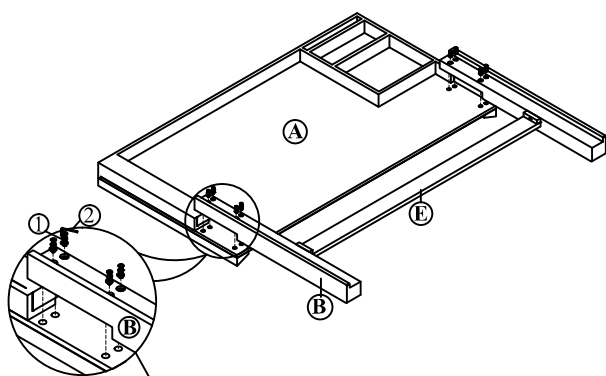
# ASSEMBLY INSTRUCTION

487 - TWIN / FULL BED (WHITE)		
SKU#	ITEM#	ITEM DESCRIPTION
34648709	487 - 17H	TWIN PANEL HEADBOARD
34748701	487 - 17F	TWIN PANEL FOOTBOARD W/SLATS
34848703	487 - 18H	FULL PANEL HEADBOARD
34948705	487 - 18F	FULL PANEL FOOTBOARD W/SLATS
35048708	487 - 17R	TWIN / FULL RAILS

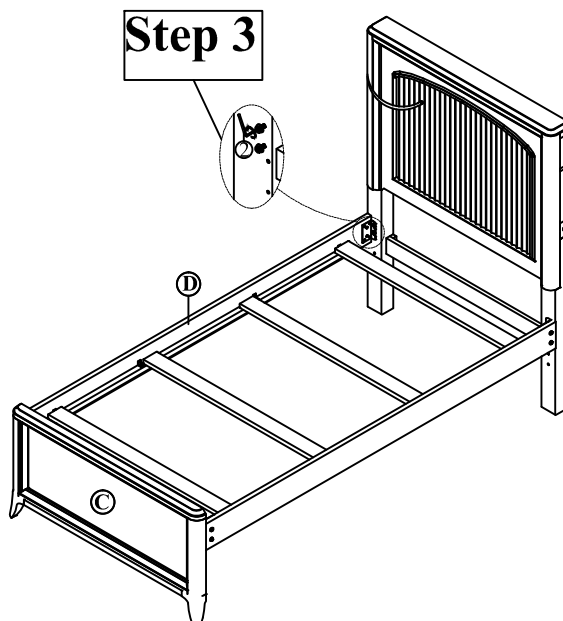
Thank you for purchasing this quality product . Be sure to check all packing material carefully for small parts which may have come loose inside the carton during shipment .Identify and count all parts and compare with the parts list below .



**Step 1**



**Step 2**



**Step 3**

# ASSEMBLY INSTRUCTION

487 - 17/18 TWIN / FULL BED (WHITE)		
SKU#	ITEM#	ITEM DESCRIPTION
34648709	487 - 17H	TWIN PANEL HEADBOARD
34748701	487 - 17F	TWIN PANEL FOOTBOARD W/SLATS
34848703	487 - 18H	FULL PANEL HEADBOARD
34948705	487 - 18F	FULL PANEL FOOTBOARD W/SLATS
35048708	487 - 17R	TWIN / FULL RAILS

Thank you for purchasing this quality product . Be sure to check all packing material carefully for small parts which may have come loose inside the carton during shipment .Identify and count all parts and compare with the parts list below .

**OPTION A:** Put slats on the lower cleat of side rails.

