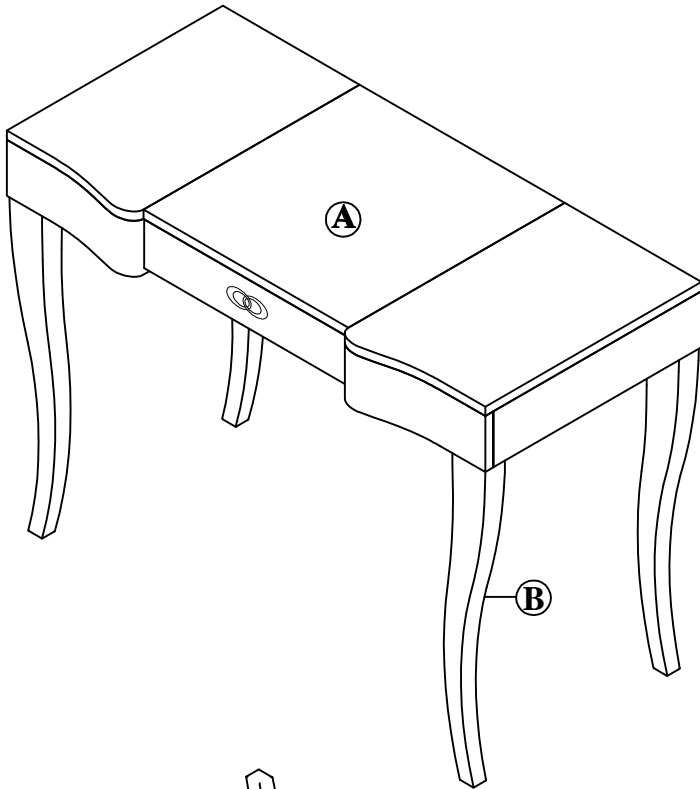


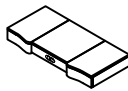





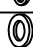

ASSEMBLY INSTRUCTION SKETCH

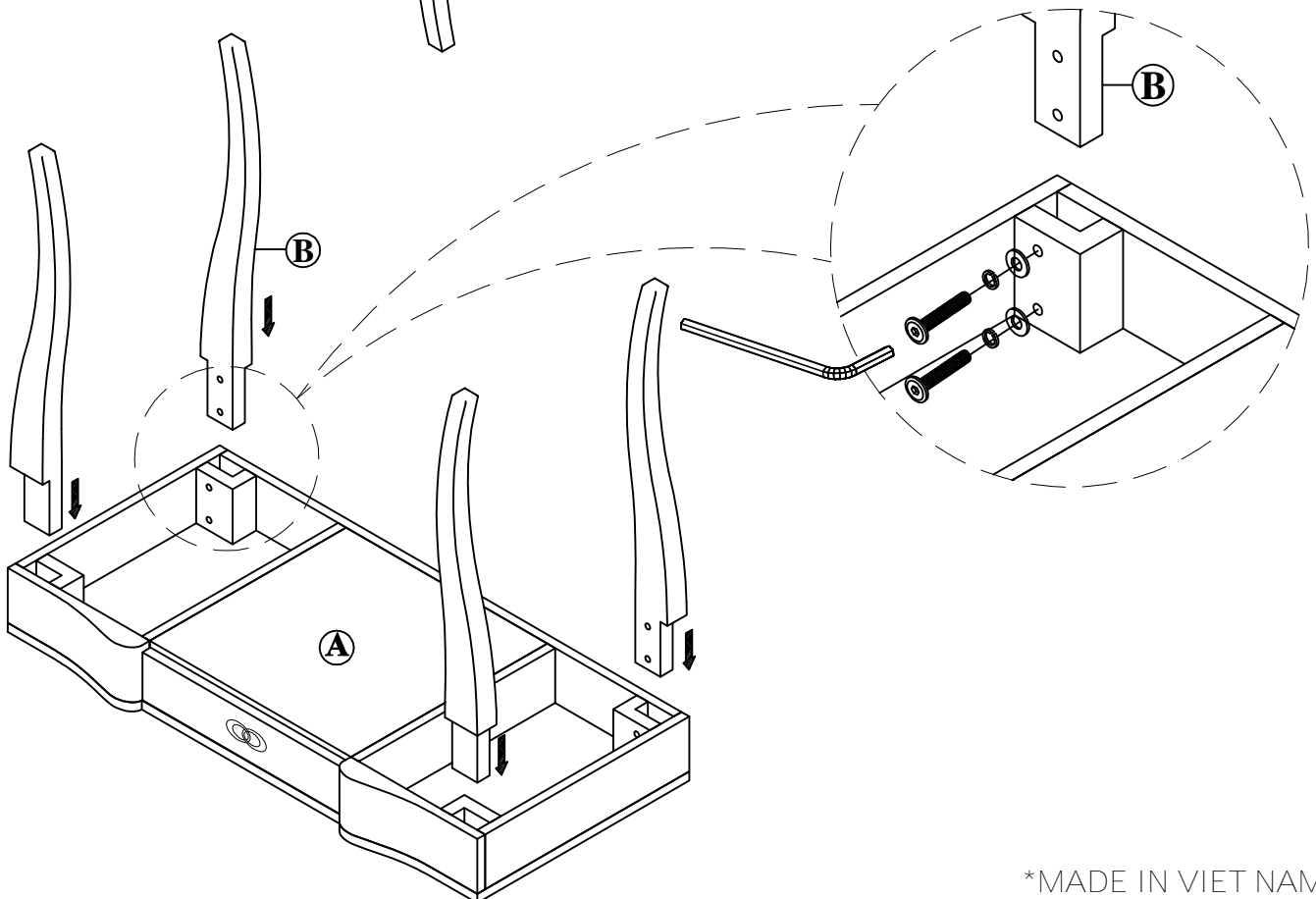
INRM - #500 - 311 - Vanity Desk

Thank you for purchasing this quality product . Be sure to check all packing material carefully for small parts which may have come loose inside the carton during shipment . Identify and count all parts and compare with the parts list below .



PARTS LIST			QTY
A	Top Table		1pc
B	Foot Table		4pcs

HARDWARE LIST			QTY
1		f1/4"x1-3/4" Bolt	8pcs
2		f1/4"x11mm	8pcs
3		f1/4"x18mm	8pcs
4		4mm	1pc



*MADE IN VIET NAM