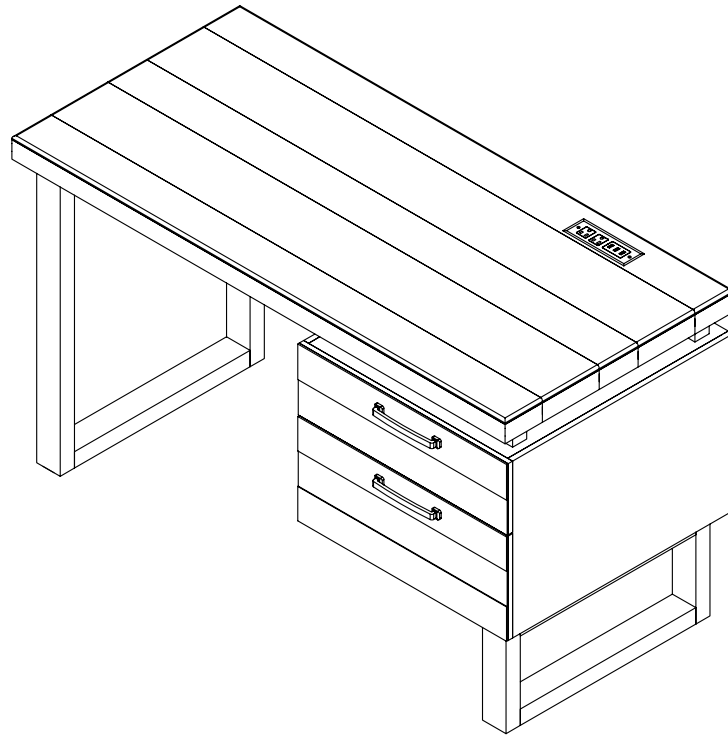


# WESTOVER HILLS JR. DESK



RECLAIMED BROWN			
RTG SKU	STYLE#	ITEM DESCRIPTION	QTY
34367107	6710Y - 14	Desk	1 Pc

RECLAIMED GRAY			
RTG SKU	STYLE#	ITEM DESCRIPTION	QTY
34377108	7710Y - 14	Desk	1 Pc

DESK PARTS LIST			
CODE	ITEM DESCRIPTION	IMAGE	QTY
A	Top		1 Pc
B	Left Leg (long)		1 Pc
C	Right Leg (short)		1 Pc
D	Compartment		1 Pc
E	Stretcher		1 Pc

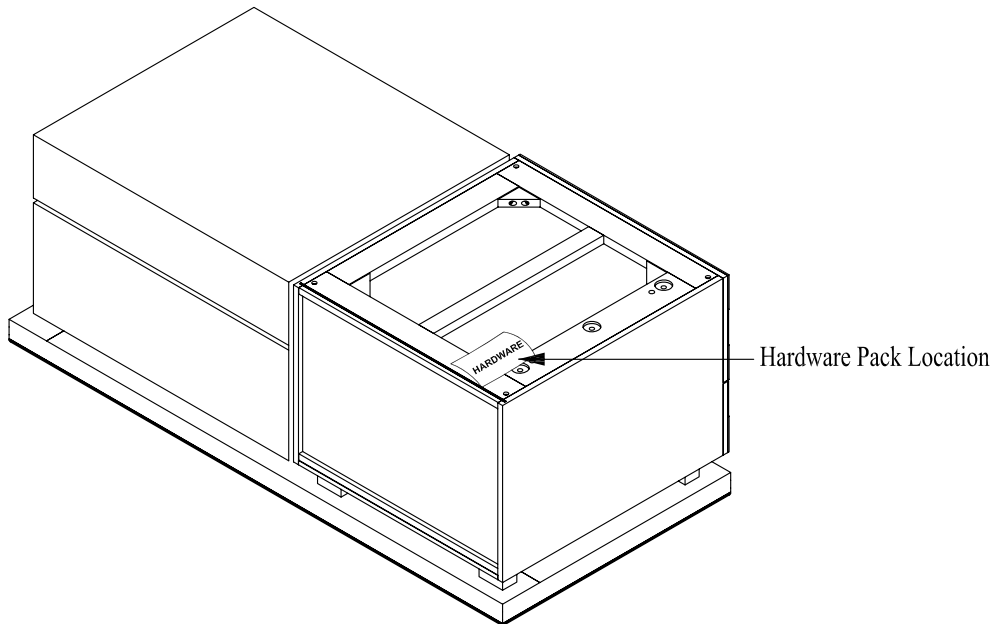
CODE	HARDWARE LIST	QTY
1	Bolt 5/16" x 18 x 3/4"	2 Pcs
2	Bolt 5/16" x 18 x 1 3/4"	10 Pcs
3	Lock Washers 5/16"	12 Pcs
4	Flat Washer Ø8 x Ø18 x 1 mm	12 Pcs
5	Allen Key 5 x 75 mm	1 Pc
6	Dowel Ø10 x 40 mm	4 Pcs

This product is manufactured by ALAM for **ROOMS TO GO | KIDS™**

DO NOT USE SUBTITUTE PARTS. PLEASE CONTACT YOUR RETAIL STORE OR [WWW.ROOMSTOGO.COM](http://WWW.ROOMSTOGO.COM)  
WITH SERVICE OR PARTS REPLACEMENT REQUEST

Thank you for purchasing this quality product. Be sure to check all packing material carefully for small parts which may have come loose inside the carton during shipment. Identify and count all parts and compare with the parts list below. Read all instructions before assembling and keep these instructions for future reference.

## HARDWARE PACK LOCATION



This product is manufactured by ALAM for **ROOMS TO GO | KIDS™**

DO NOT USE SUBSTITUTE PARTS. PLEASE CONTACT YOUR RETAIL STORE OR [WWW.ROOMSTOGO.COM](http://WWW.ROOMSTOGO.COM)  
WITH SERVICE OR PARTS REPLACEMENT REQUEST

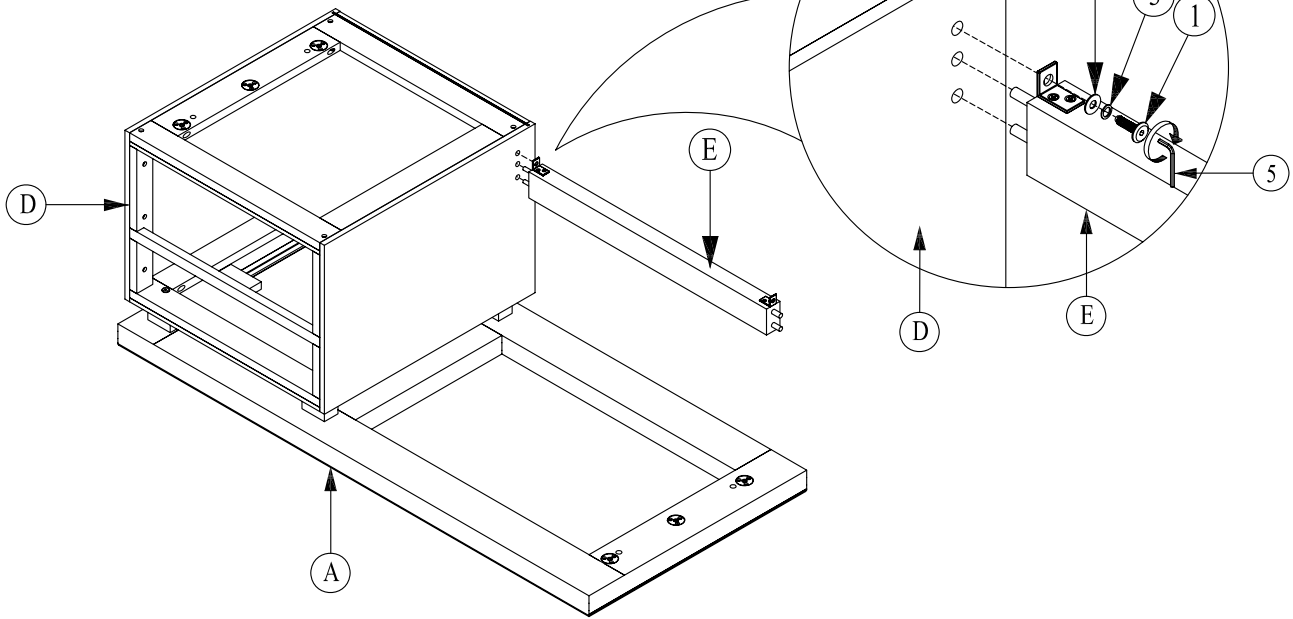


Thank you for purchasing this quality product. Be sure to check all packing material carefully for small parts which may have come loose inside the carton during shipment. Identify and count all parts and compare with the parts list below. Read all instructions before assembling and keep these instructions for future reference.

## ASSEMBLY INSTRUCTIONS

### STEP 3

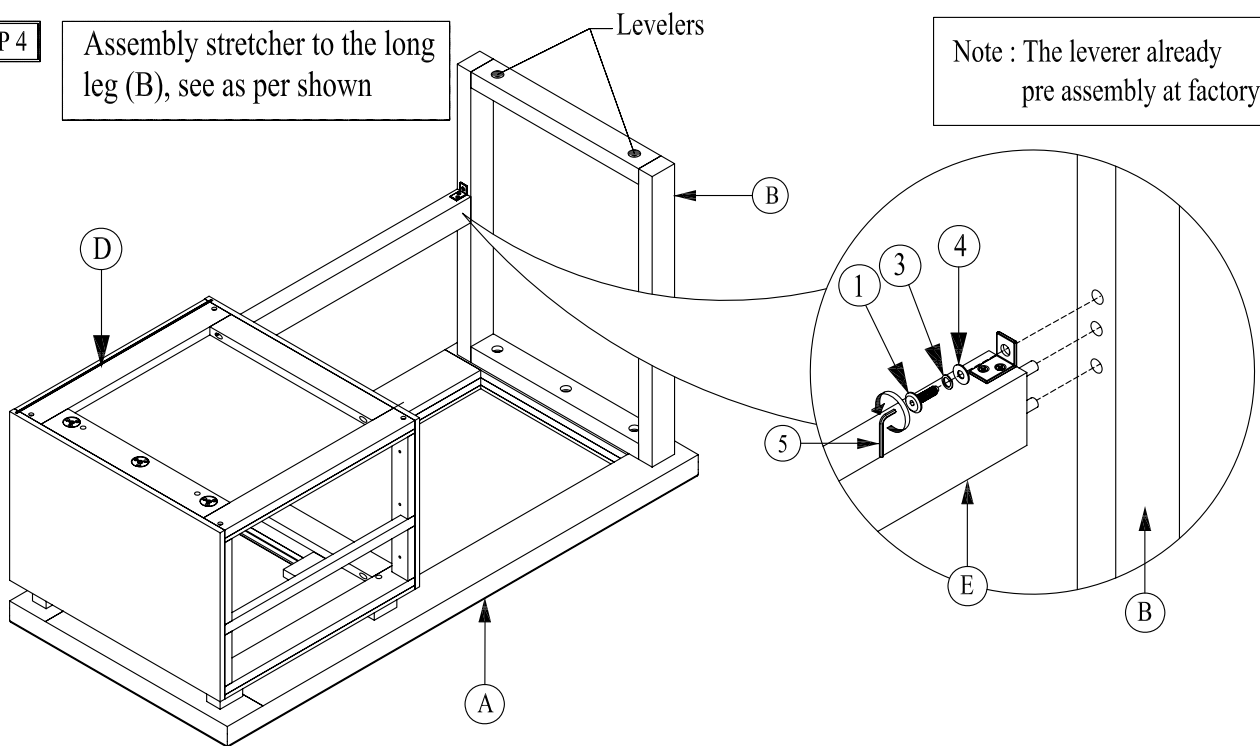
Assembly stretcher to the compartment, see as per shown



### STEP 4

Assembly stretcher to the long leg (B), see as per shown

Note : The leverer already pre assembly at factory



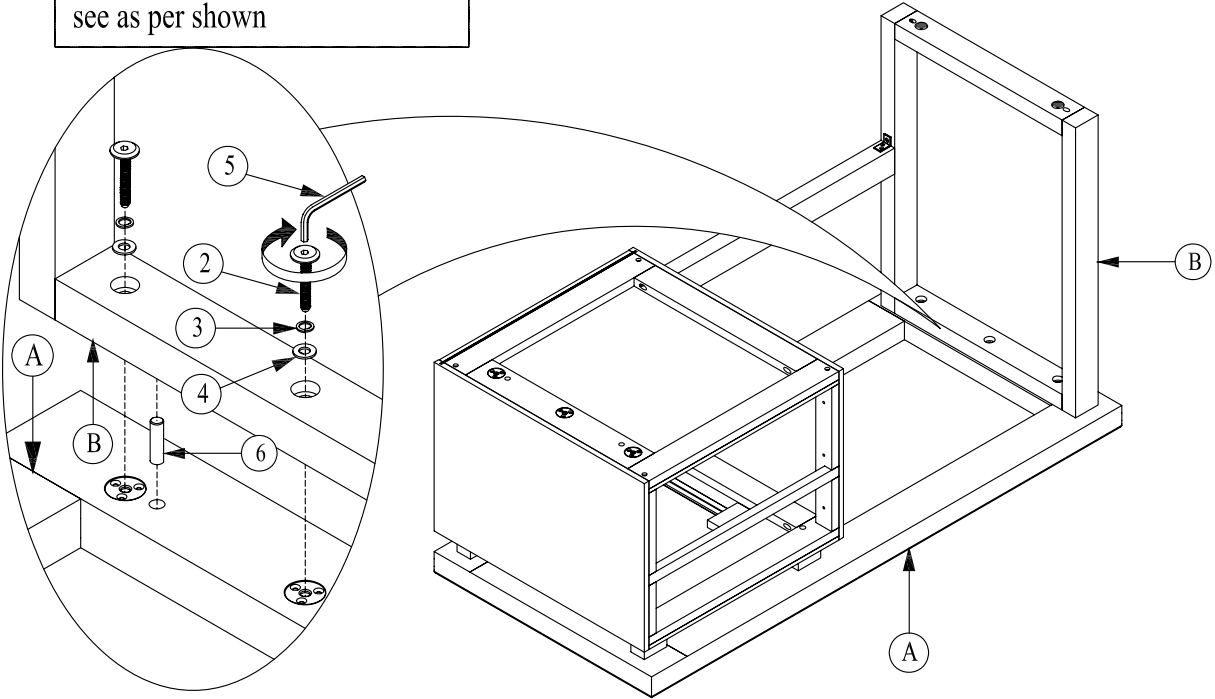
This product is manufactured by ALAM for **ROOMS TO GO | KIDS™**

DO NOT USE SUBTITUTE PARTS. PLEASE CONTACT YOUR RETAIL STORE OR [WWW.ROOMSTOGO.COM](http://WWW.ROOMSTOGO.COM) WITH SERVICE OR PARTS REPLACEMENT REQUEST

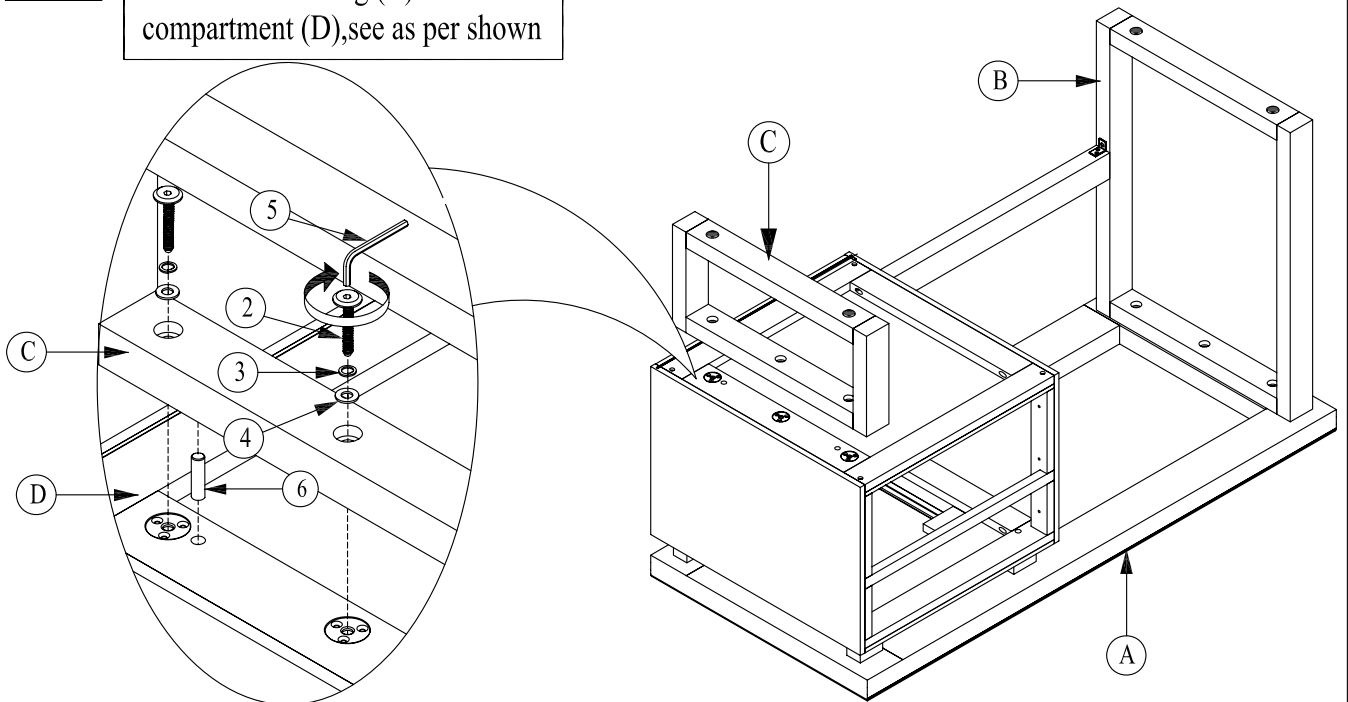
Thank you for purchasing this quality product. Be sure to check all packing material carefully for small parts which may have come loose inside the carton during shipment. Identify and count all parts and compare with the parts list below. Read all instructions before assembling and keep these instructions for future reference.

## ASSEMBLY INSTRUCTIONS

**STEP 5** Attach the long leg (B) to the top, see as per shown



**STEP 6** Attach the short leg (C) to the compartment (D), see as per shown



This product is manufactured by ALAM for **ROOMS TO GO | KIDS™**

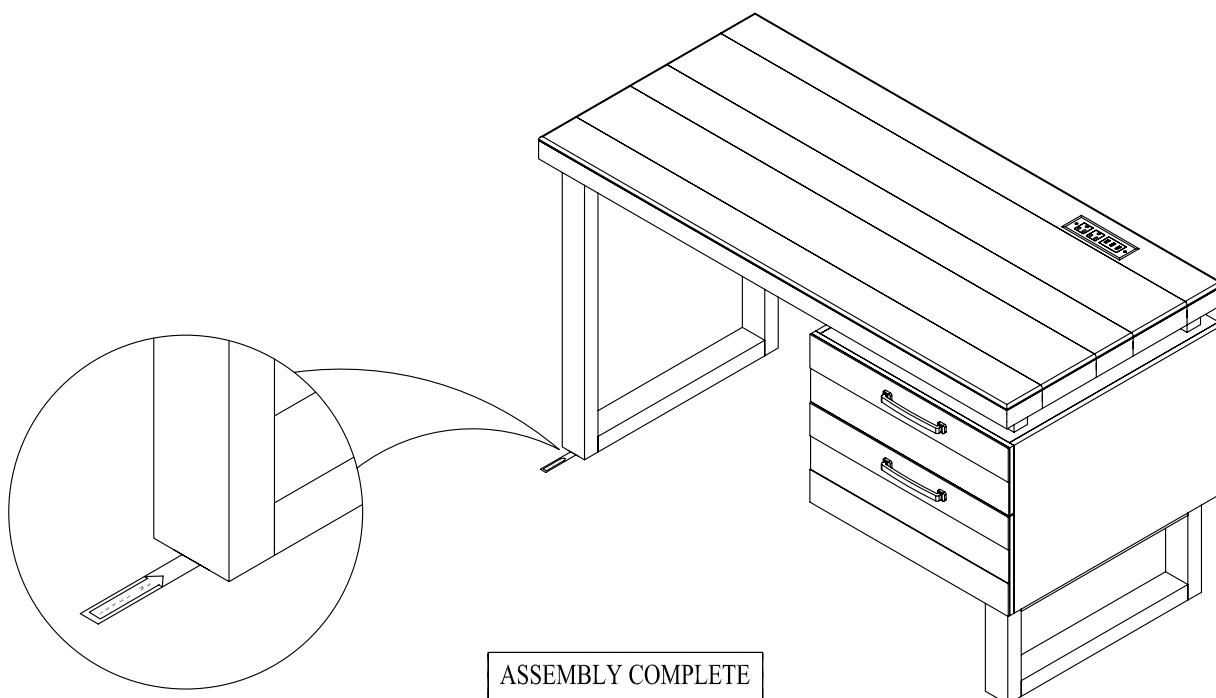
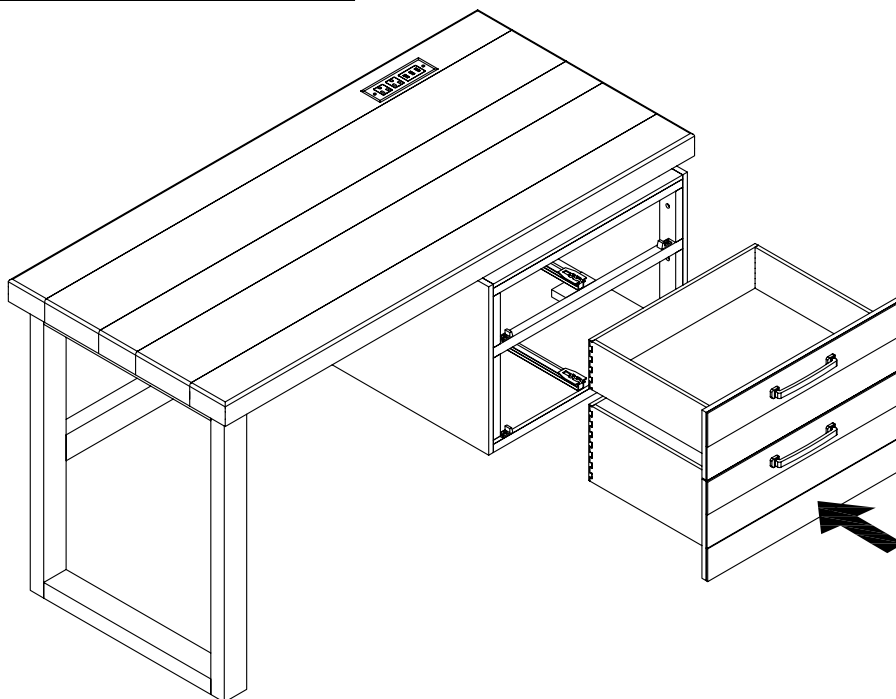
DO NOT USE SUBSTITUTE PARTS. PLEASE CONTACT YOUR RETAIL STORE OR [WWW.ROOMSTOGO.COM](http://WWW.ROOMSTOGO.COM) WITH SERVICE OR PARTS REPLACEMENT REQUEST

Thank you for purchasing this quality product. Be sure to check all packing material carefully for small parts which may have come loose inside the carton during shipment. Identify and count all parts and compare with the parts list below. Read all instructions before assembling and keep these instructions for future reference.

## ASSEMBLY INSTRUCTIONS

**STEP 7**

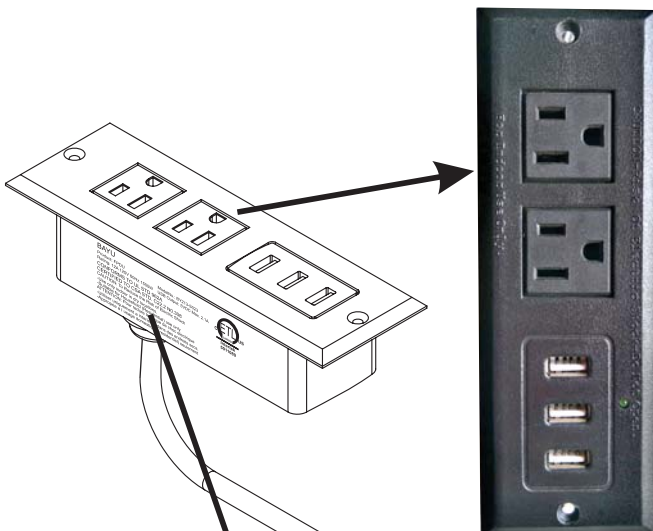
Set up the drawer, see as per shown



This product is manufactured by ALAM for **ROOMS TO GO | KIDS™**

DO NOT USE SUBSTITUTE PARTS. PLEASE CONTACT YOUR RETAIL STORE OR [WWW.ROOMSTOGO.COM](http://WWW.ROOMSTOGO.COM) WITH SERVICE OR PARTS REPLACEMENT REQUEST

ALAM 6710Y-14 : DESK # SKU 34367107  
 ALAM 7710Y-14 : DESK # SKU 34377108



125V/12A/1500W  
 BAYU

POWER SUPPLY NUMBER: 308 MODEL NO. BY213-S023



**! WARNING**  
**El mal uso puede provocar INCENDIO o MUERTE por DESCARGA ELÉCTRICA**

100-240V/0.5A/120W  
 BAYU  
 NUMERO DEALIMENTACION : BAYU 0502100

**Leer todas las instrucciones antes de usar este mobiliario.**

**PELIGRO - Para reducir el riesgo de descarga eléctrica :**

1. Siempre desenchufe este accesorio de la toma de corriente eléctrica antes de limpiarlo o repararlo.

**ADVERTENCIA : para reducir el riesgo de quemaduras, incendios, descargas eléctricas o lesiones a personas :**

1. Desenchufe del tomacorriente antes de colocar o quitar partes.
2. Nunca opere este accesorio si tiene un cable o enchufe eléctrico dañado, si no funciona correctamente, o si el cable o el enchufe eléctrico se ha dañado o se ha caído al agua. Deje de usar este equipamiento y llame a un centro de servicio para que lo examinen y lo reparen.
3. Mantenga el cable eléctrico y el enchufe lejos de superficies calientes y otras fuentes de calor.
4. Para desconectar, gire todos los controles a la posición de apagado, luego retire el enchufe del tomacorriente.
5. Al operar, asegúrese de que el cable eléctrico no esté debajo de la base, las patas o el mecanismo de movimiento para evitar dañar el cable eléctrico o el enchufe.
6. No fuerce ni estire el cable eléctrico.
7. No utilizar cables de extensión o tomas de corriente.
8. Mantener fuera del alcance de los niños. Esto no es un juguete.
9. Enchúfelo directamente a una toma de corriente compatible.
10. No modifique el enchufe ni utilice adaptadores.

**! WARNING**  
**Misuse can result in FIRE or DEATH by ELECTRICAL SHOCK**

100-240V/0.5A/120W  
 BAYU  
 POWER SUPPLY NUMBER : BAYU 0502100

**Read all instructions before using this furnishing.**

**DANGER - To reduce the risk of electric shock :**

1. Always unplug this furnishing from the electrical outlet before cleaning or servicing.

**WARNING - To reduce the risk of burns, fire, electric shock, or injury to persons :**

1. Unplug from outlet before putting on or taking off parts.
2. Never operate this furnishing if it has a damaged electrical cord or plug, if it is not working properly, or if the electrical cord or plug has been damaged or dropped into water. Stop using this furnishing and call a service center for examination and repair.
3. Keep the electrical cord and plug away from heated surfaces and other heat sources.
4. To disconnect, turn all controls to the off position, then remove plug from outlet.
5. When operating, ensure that electrical cord is not under the base, legs, or motion mechanism to avoid damage to electrical cord or plug.
6. Do not strain or stretch electrical cord.
7. Do not use extension cords or power strips.
8. Keep out of reach of children. This is not a toy.
9. Plug directly into a compatible electrical socket.
10. Do not modify the plug or use any adapters.

