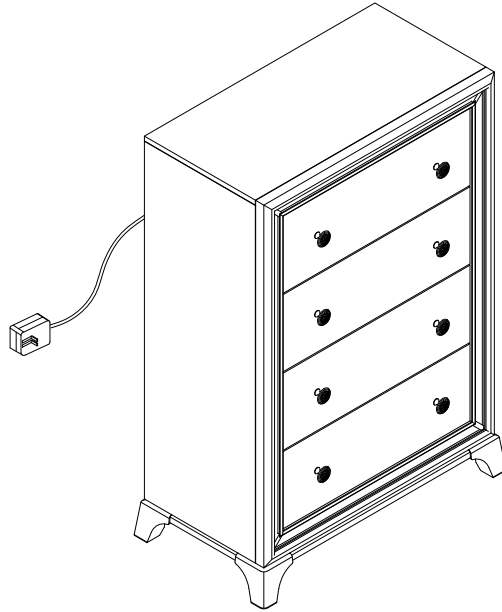
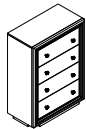



# ALYSSA 4 DRAWER CHEST



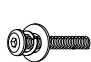



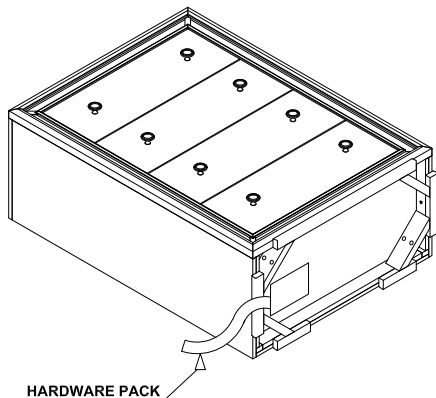
SKU#	STYLE	COLOR	ITEM DESCRIPTION
34375914	7591-132	WHITE	4 DRAWER CHEST

CHEST PARTS LIST			
	ITEM DESCRIPTION	IMAGE	Q'TY
A	CHEST		1 PC
B	LEG		4 PCS

### HARDWARE PACK LOCATION

SKU#	STYLE	COLOR	ITEM DESCRIPTION
34375914	7591-132	WHITE	4 DRAWER CHEST

HARDWARE LIST			
	ITEM DESCRIPTION	IMAGE	Q'TY
1	TIPPING RESTRAINT KIT (Customer to assemble)		1 PC
2	(L57x4MM) ALLEN KEY		1 PC
3	(Ø5/16*18*2-1/2"L) BOLT		8 PCS
	(Ø5/16*13*1.2MM) SPRING WASHER		8 PCS
	(Ø5/16*19*1.8MM) FLAT WASHER		8 PCS
4	PHILIPS SCREWDRIVER (NOT PROVIDED)		



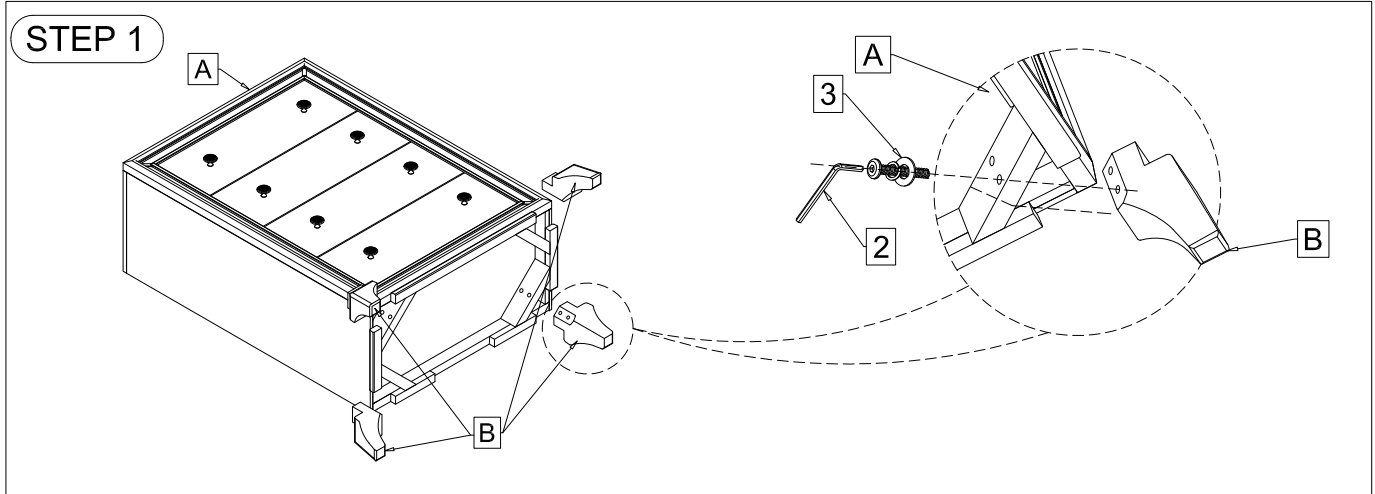
DO NOT USE SUBSTITUTE PARTS. PLEASE CONTACT YOUR RETAIL STORE OR [WWW.ROOMSTOGO.COM](http://WWW.ROOMSTOGO.COM) WITH SERVICE OR PARTS REPLACEMENT REQUEST.

This product is manufactured by RIEE for **ROOMS TO GO® | KIDS**

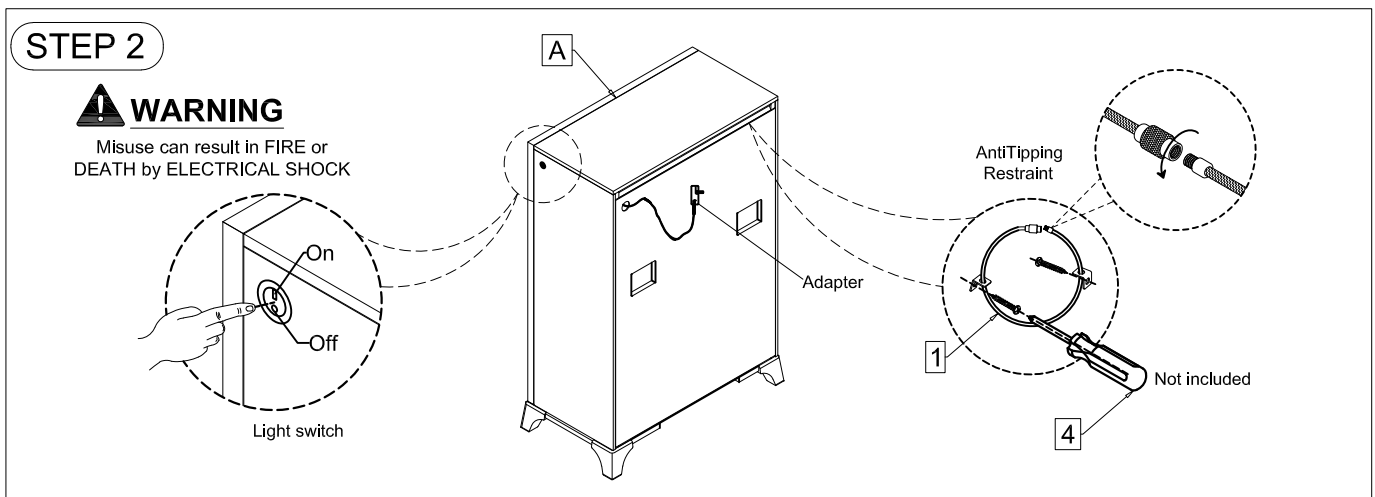
# ALYSSA 4 DRAWER CHEST

Thank you for purchasing this quality product. Be sure to check all packing material carefully for small parts which may have come loose inside the carton during shipment. Identify and count all parts and compare with the parts list below. Read all instructions before assembling bed and keep these instructions for future reference.

## Assembly instructions:



Attach the Leg (B) to the Chest (A). Tighten with Allen Bolts, Spring Washers and Flat Washers (3) with Allen Key provided (2) by screwing them into place.



**Remark:** There is a tip restraint kit provided on the top drawer of this product. Please read the directions thoroughly and install immediately when placed in home.

DO NOT USE SUBSTITUTE PARTS. PLEASE CONTACT YOUR RETAIL STORE OR [WWW.ROOMSTOGO.COM](http://WWW.ROOMSTOGO.COM) WITH SERVICE OR PARTS REPLACEMENT REQUEST.

This product is manufactured by RIEE for **ROOMS TO GO** | **KIDS**

# IMPORTANT SAFETY INSTRUCTIONS



## WARNING

Misuse can result in FIRE or DEATH by ELECTRICAL SHOCK

[ELECTRICAL RATING (12V/2A/24Watts)]

[Eyue Technology Co., Ltd]

[FX24U -120200C]

**Read all instructions before using this furnishing.**

**DANGER - To reduce the risk of electric shock:**

**1. Always unplug this furnishing from the electrical outlet before cleaning or servicing.**

**WARNING - To reduce the risk of burns, fire, electric shock, or injury to persons:**

1. Unplug from outlet before putting on or taking off parts.
2. Never operate this furnishing if it has a damaged electrical cord or plug, if it is not working properly, or if the electrical cord or plug has been damaged or dropped into water. Stop using this furnishing and call a service center for examination and repair.
3. Keep the electrical cord and plug away from heated surfaces and other heat sources.
4. To disconnect, turn all controls to the off position, then remove plug from outlet.
5. When operating, ensure that electrical cord is not under the base, legs, or motion mechanism to avoid damage to electrical cord or plug.
6. Do not strain or stretch electrical cord.
7. Do not use extension cords or power strips.
8. Keep out of reach of children. This is not a toy.
9. Plug directly into a compatible electrical socket.
10. Do not modify the plug or use any adapters.



## WARNING

El mal uso puede provocar INCENDIO o MUERTE por DESCARGA ELÉCTRICA

[CLASIFICACION ELECTTRICA (12V/2A/24Watts)]

[Eyue Technology Co., Ltd]

[FX24U -120200C]

**Leer todas las instrucciones antes de usar este mobiliario.**

**PELIGRO - Para reducir el riesgo de descarga eléctrica:**

**1. Siempre desenchufe este accesorio de la toma de corriente eléctrica antes de limpiarlo o repararlo.**

**ADVERTENCIA: para reducir el riesgo de quemaduras, incendios, descargas eléctricas o lesiones a personas:**

1. Desenchufe del tomacorriente antes de colocar o quitar partes.
2. Nunca opere este accesorio si tiene un cable o enchufe eléctrico dañado, si no funciona correctamente, o si el cable o el enchufe eléctrico se ha dañado o se ha caído al agua. Deje de usar este equipamiento y llame a un centro de servicio para que lo examinen y lo reparen.
3. Mantenga el cable eléctrico el enchufe lejos de superficies calientes y otras fuentes de calor.
4. Para desconectar, gire todos los controles a la posición de apagado, luego retire el enchufe del tomacorriente.
5. Al operar, asegúrese de que el cable eléctrico no esté debajo de la base, las patas o el mecanismo de movimiento para evitar dañar el cable eléctrico o el enchufe.
6. No fuerce ni estire el cable eléctrico.
7. No utilizar cables de extensión o tomas de corriente.
8. Mantener fuera del alcance de los niños. Esto no es un juguete.
9. Enchúfelo directamente a una toma de corriente compatible.
10. No modifique el enchufe ni utilice adaptadores.