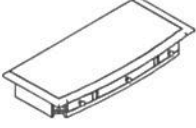









Assembly Instructions

GLOB 1497/1597-14E Desk SKU# 34414970/34414982

Parts list			Q'ty
a		Desk Top	1pc
b		Leg	4pcs

Step	Code	Hardware	Q'TY
	A	Allen key 4mm	1 pc
2	B	Bolt 5/16"x18x2-1/4" 	8pcs
2	C	Spring Washer 5/16"xφ13x2mmT 	8pcs
2	D	Flat Washer 5/16"xφ19x2mmT 	8pcs
4	E	Furniture tipping restraint 	1set



Hardware Pack Location(s):

GLOB 1497/1597-14E Desk SKU# 34414970/34414982

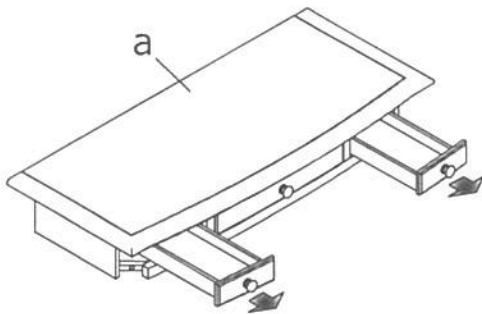


Assembly Instructions

GLOB 1497/1597-14E Desk SKU# 34414970/34414982

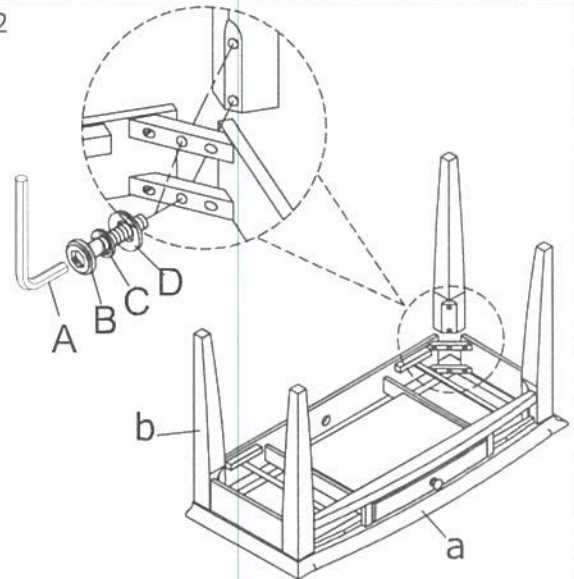
***Caution: Please read all instructions carefully before starting the assembly process. These parts are cumbersome and heavy. Therefore, two people are recommended in order to prevent personal injury and insure the parts are not damaged during the assembly.

STEP 1



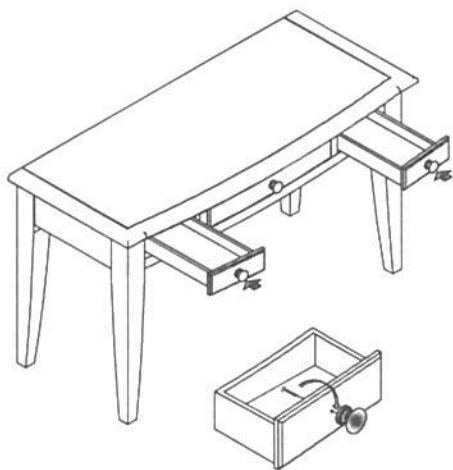
Remove side drawer from Desk Top

STEP 2



Assemble legs to Desk corners.

STEP 3



Screw the knob back to the drawer front. Then attach them to Desk Top.

STEP 4

