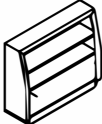

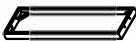




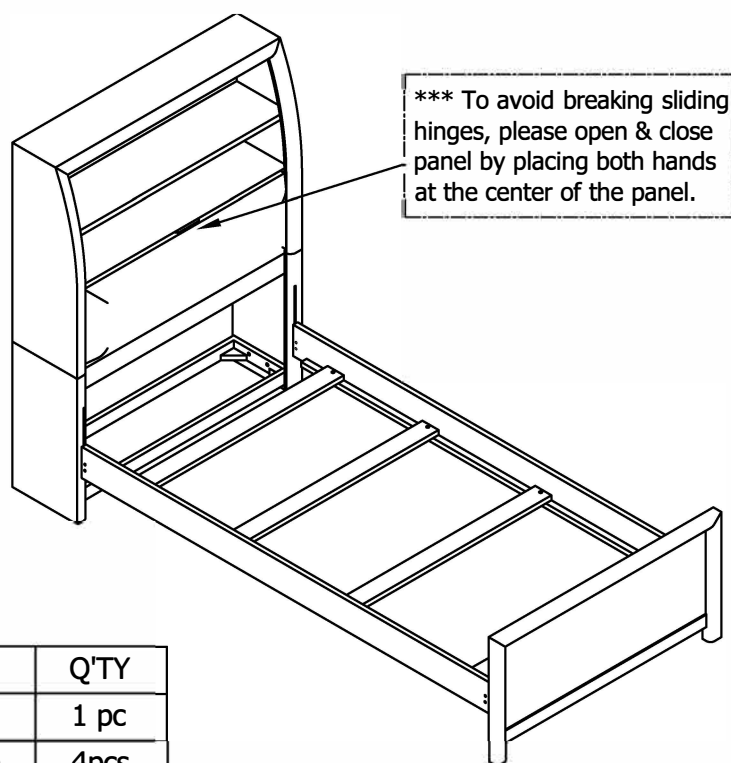















Assembly Instructions

GLOB 1497-17F-1, 06T/F-3, 15F-2 Full Bookcase Bed SKU# 34814992, 35914971, 35814979
 GLOB 1597-17F-1, 06T/F-3, 15F-2 Full Bookcase Bed SKU# 34814891, 35914983, 35814981


Parts list			Q'ty
a		Headboard	1pc
b		Post (L/R)	2pcs
c		Base frame	1pc
d		Side Rail	2pcs
e		Footboard	1pc
f		Slat	4pcs
g		Corner bracket	2pcs




Hardware list 1

Step	Code	Hardware	Q'TY
	A	Allen key 4mm 	1 pc
1	B	Bolt 1/4"x20x1-1/4" 	4pcs
1	C	Spring Washer 1/4"xφ11x2mmT 	4pcs
1	D	Flat Washer 1/4"xφ19x2mmT 	4pcs
2	B	Bolt 1/4"x20x1-1/4" 	4pcs
2	C	Spring Washer 1/4"xφ11x2mmT 	4pcs
2	D	Flat Washer 1/4"xφ19x2mmT 	4pcs
3	B	Bolt 1/4"x20x1-1/4" 	2pcs
3	C	Spring Washer 1/4"xφ11x2mmT 	2pcs
3	D	Flat Washer 1/4"xφ19x2mmT 	2pcs
4	B	Bolt 1/4"x20x1-1/4" 	4pcs
4	C	Spring Washer 1/4"xφ11x2mmT 	4pcs
4	D	Flat Washer 1/4"xφ19x2mmT 	4pcs

Hardware list 2

Step	Code	Hardware	Q'TY
6	E	Screw #8x1" 	8pcs

Hardware list 3

Step	Code	Hardware	Q'TY
6	F	Furniture tipping restraint 	1set

TOOLS REQUIRED (NOT PROVIDED)

PHILLIPS SCREWDRIVER



Hardware Pack Location(s):

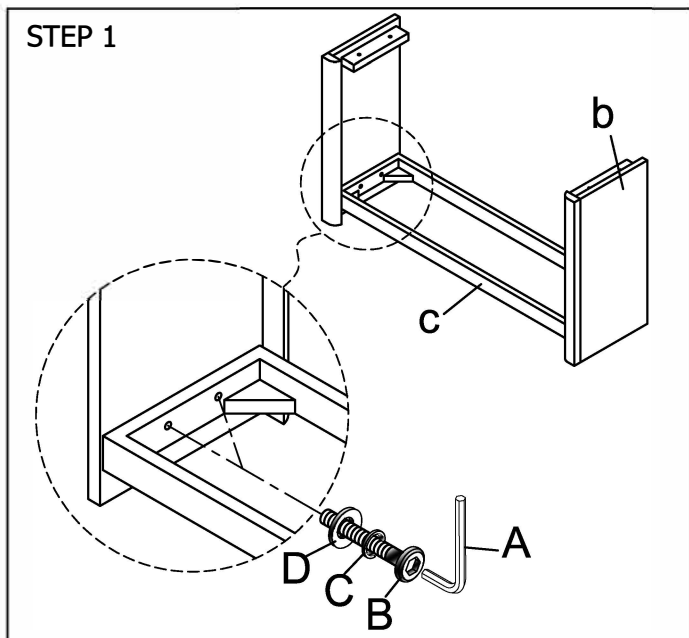
Hardware list 1&3 pack in GLOB 1497/1597-17F-1 Full Bookcase Headboard SKU# 34814992/34814891

Hardware list 2 pack in GLOB 1497/1597-15F-2 Full Low Footboard SKU# 35814979/35814981

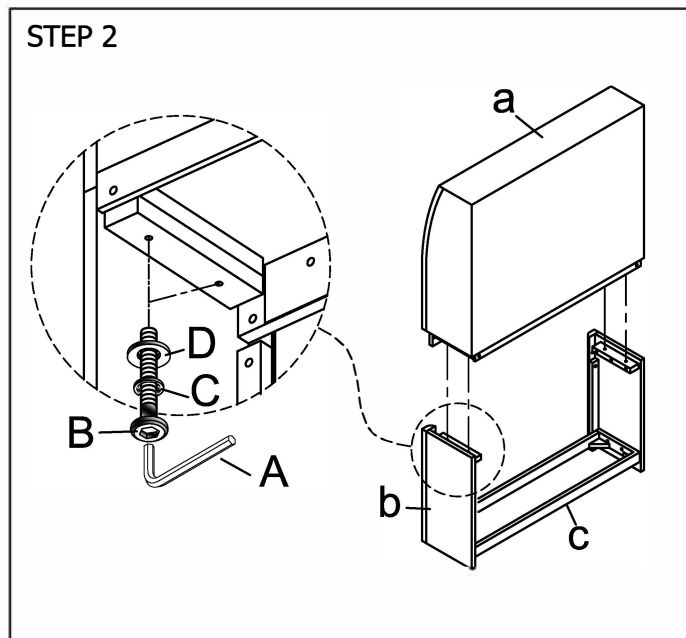
Assembly Instructions

GLOB 1497-17F-1, 06T/F-3, 15F-2 Full Bookcase Bed SKU# 34814992, 35914971, 35814979
 GLOB 1597-17F-1, 06T/F-3, 15F-2 Full Bookcase Bed SKU# 34814891, 35914983, 35814981

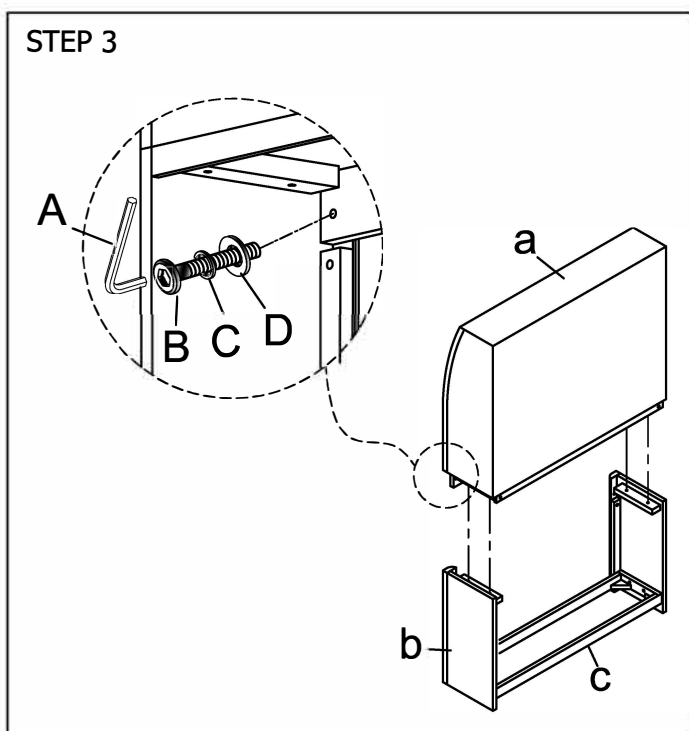
***Caution: Please read all instructions carefully before starting the assembly process. These parts are cumbersome and heavy. Therefore, two people are recommended in order to prevent personal injury and ensure the parts are not damaged during the assembly.



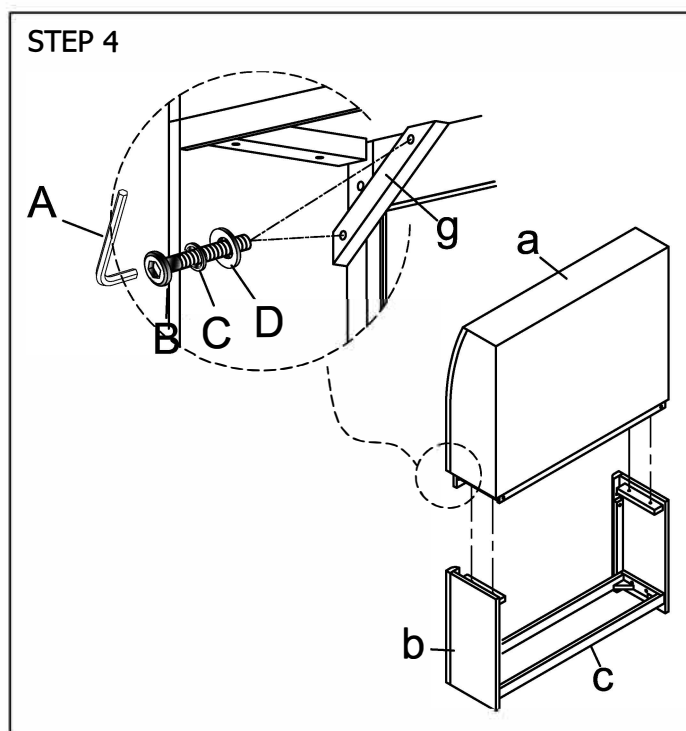
Assemble Base frame to Post (L/R).



Assemble Headboard to Post (L/R).



Assemble Headboard to Post (L/R).



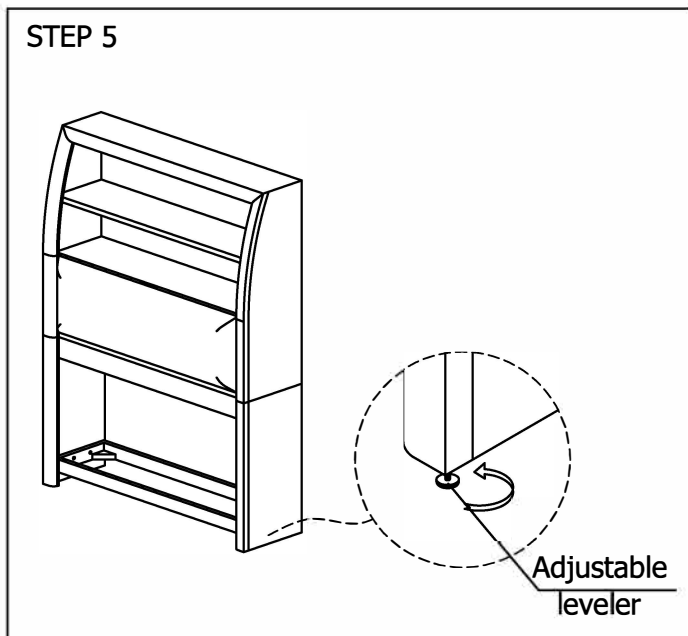
Assemble Corner bracket to Headboard and Post (L/R).

Assembly Instructions

GLOB 1497-17F-1, 06T/F-3, 15F-2 Full Bookcase Bed SKU# 34814992, 35914971, 35814979
 GLOB 1597-17F-1, 06T/F-3, 15F-2 Full Bookcase Bed SKU# 34814891, 35914983, 35814981

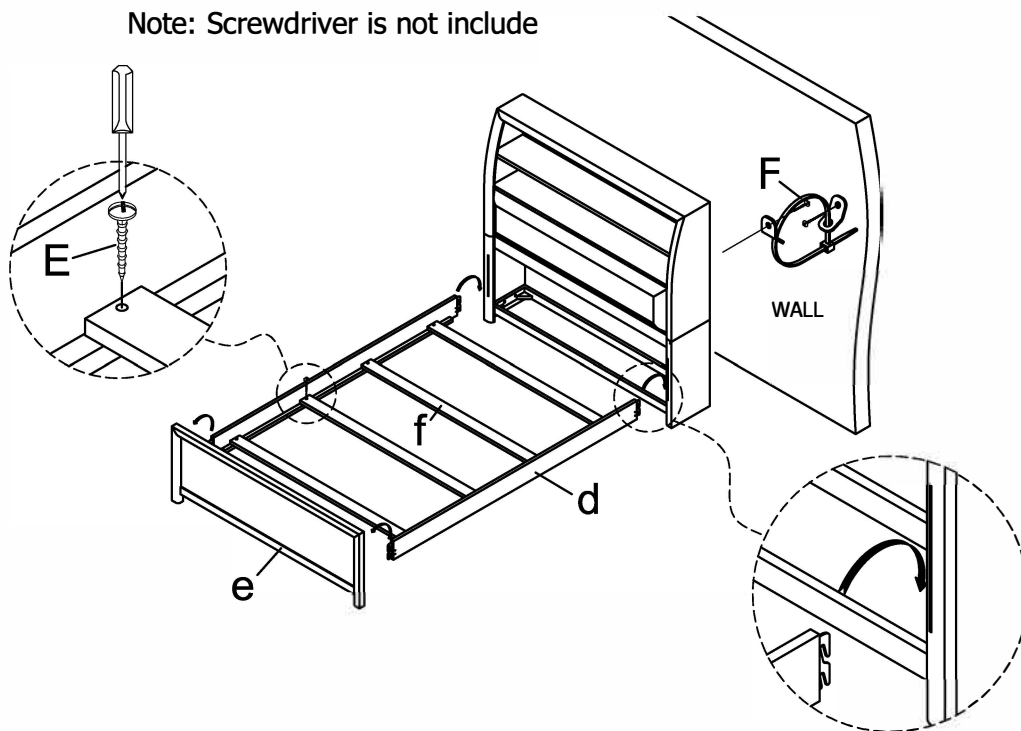
***Caution: Please read all instructions carefully before starting the assembly process. These parts are cumbersome and heavy. Therefore, two people are recommended in order to prevent personal injury and ensure the parts are not damaged during the assembly.

STEP 5



STEP 6

Note: Screwdriver is not include



Attach Side rails to the Headboard and Footboard.
 Then screw all slats to Side rails.