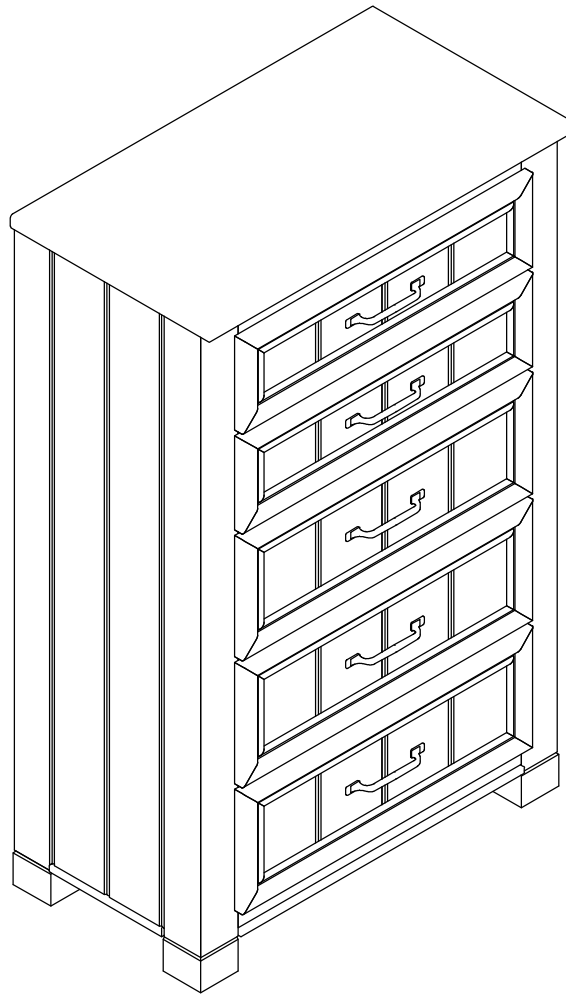


COTTAGE COLORS 2.0

5 DRAWER CHEST



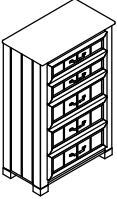

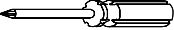
SKU#	STYLE	COLOR	ITEM DESCRIPTION
34422307	225-CHW	WHITE	5 DRAWER CHEST
34422321	225-CHG	GRAY	5 DRAWER CHEST
34422333	225-CHNB	NAVY BLUE	5 DRAWER CHEST
34422319	225-CHB	BLACK	5 DRAWER CHEST

DO NOT USE SUBSTITUTE PARTS. PLEASE CONTACT YOUR RETAIL STORE OR WWW.ROOMSTOGO.COM WITH SERVICE OR PARTS REPLACEMENT REQUEST.

This product is manufactured by (JSFC) for **ROOMS TO GO** | **KIDS**

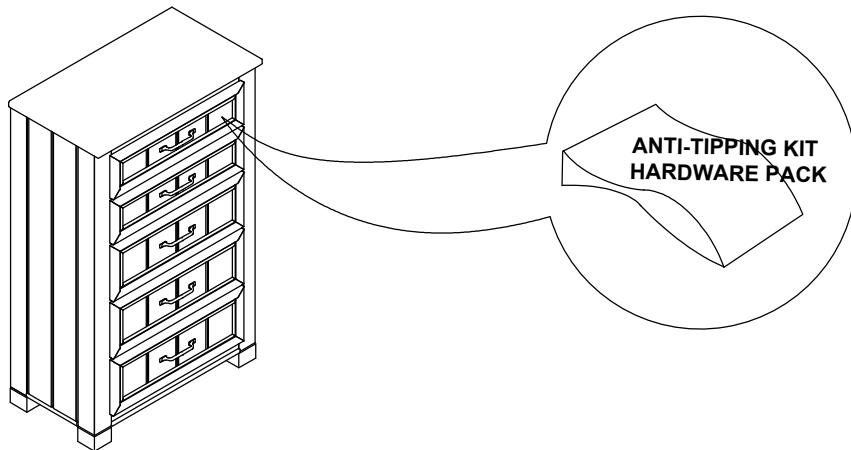
COTTAGE COLORS 2.0

5 DRAWER CHEST

5 DRAWER CHEST PART LIST				5 DRAWER CHEST HARDWARE LIST			
	ITEM DESCRIPTION	IMAGE	QTY		ITEM DESCRIPTION	IMAGE	QTY
A	5-DRAWER CHEST		1 PC	1	TIPPING RESTRAINT (CUSTOMER TO ASSEMBLE)		1 SET
				2	PHILIPS SCREWDRIVER (NOT PROVIDED)		1 PC

HARDWARE PACK LOCATION

SKU#	STYLE	COLOR	ITEM DESCRIPTION
34422307	225-CHW	WHITE	5 DRAWER CHEST
34422321	225-CHG	GRAY	5 DRAWER CHEST
34422333	225-CHNB	NAVY BLUE	5 DRAWER CHEST
34422319	225-CHB	BLACK	5 DRAWER CHEST



NOTE: ANTI-TIPPING KIT HARDWARE PACK IS LOCATED IN THE DRAWER

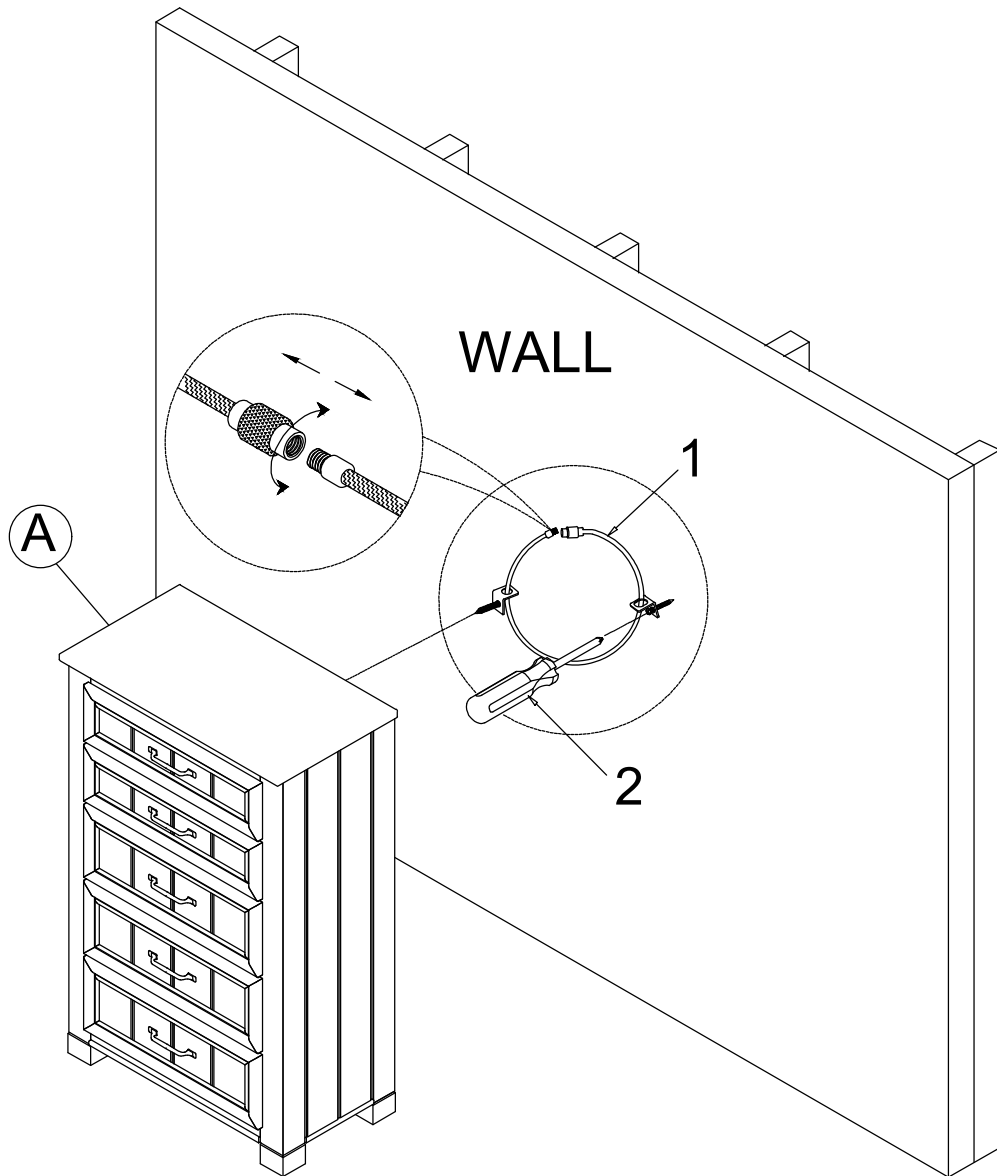
DO NOT USE SUBSTITUTE PARTS. PLEASE CONTACT YOUR RETAIL STORE OR WWW.ROOMSTOGO.COM WITH SERVICE OR PARTS REPLACEMENT REQUEST.

This product is manufactured by (JSFC) for **ROOMS TO GO® | KIDS**

Thank you for purchasing this quality product. Be sure to check all packing material carefully for small parts which may have come loose inside the carton during shipment. Identify and count all parts and compare with the parts list below. Read all instructions before assembling bed and keep these instruction for future reference.

Assembly Instructions:

STEP 1



Install Tipping Restraint (1) (Customer to Assemble) with a Philips Screwdriver (2)(Not provided) by following the assembly instructions that come in the Tipping Restraint package.

DO NOT USE SUBSTITUTE PARTS. PLEASE CONTACT YOUR RETAIL STORE OR WWW.ROOMSTOGO.COM WITH SERVICE OR PARTS REPLACEMENT REQUEST.

This product is manufactured by (JSFC) for **ROOMS TO GO® | KIDS**