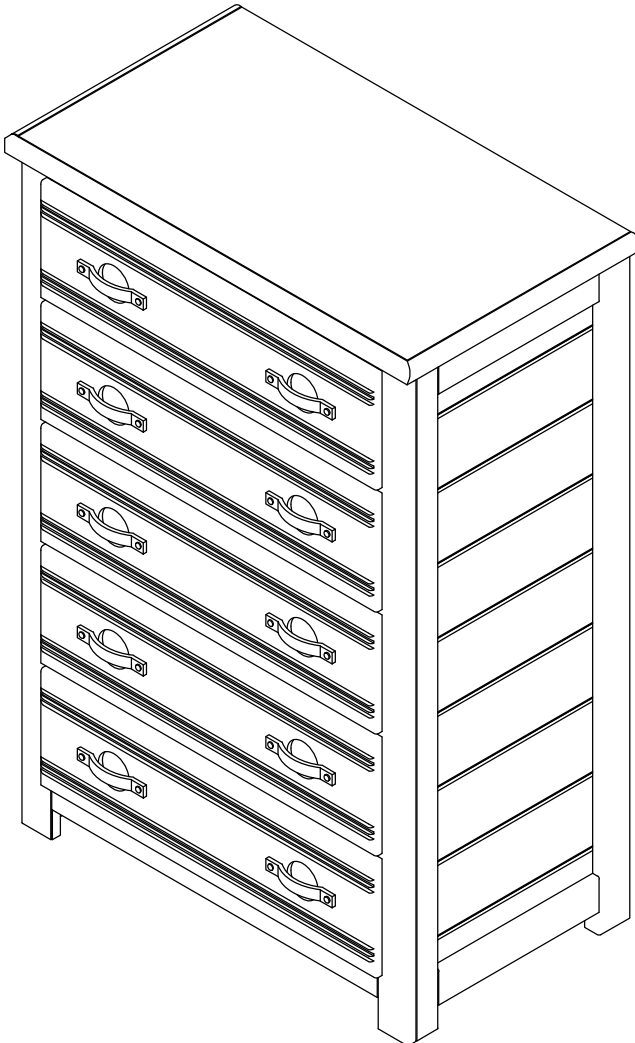


# CREEKSIDE 3.0

## 5 DRAWER CHEST



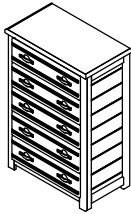

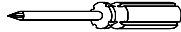
SKU#	STYLE	COLOR	ITEM DESCRIPTION
34432524	325-CHN	CHESTNUT	5 DRAWER CHEST
34432536	325-CHC	CHARCOAL	5 DRAWER CHEST

DO NOT USE SUBSTITUTE PARTS. PLEASE CONTACT YOUR RETAIL STORE OR [WWW.ROOMSTOGO.COM](http://WWW.ROOMSTOGO.COM) WITH SERVICE OR PARTS REPLACEMENT REQUEST.

This product is manufactured by (JSFC) for **ROOMS TO GO** | **KIDS**

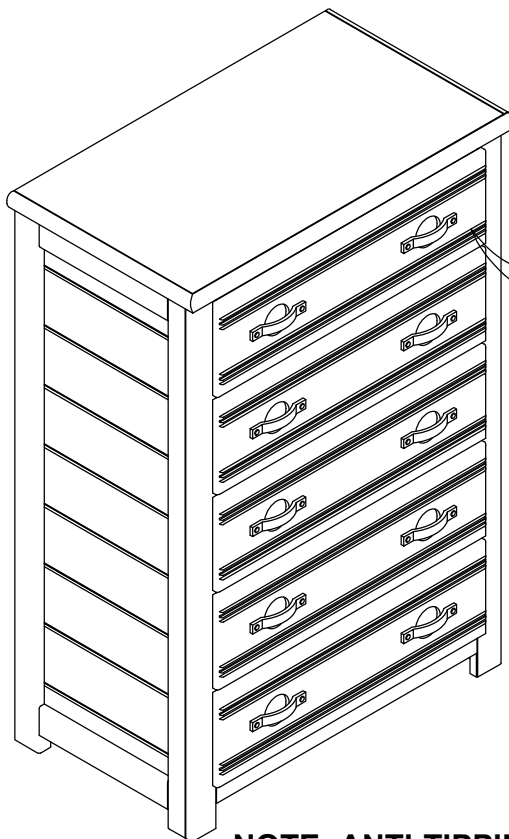
# CREEKSIDE 3.0

## 5 DRAWER CHEST

5 DRAWER CHEST PART LIST			5 DRAWER CHEST HARDWARE LIST		
ITEM DESCRIPTION	IMAGE	QTY	ITEM DESCRIPTION	IMAGE	QTY
A 5 DRAWER CHEST		1 PC	1 TIPPING RESTRAINT (CUSTOMER TO ASSEMBLE)		1 SET
			2 PHILIPS SCREWDRIVER (NOT PROVIDED)		1 PC

### HARDWARE PACK LOCATION

SKU#	STYLE	COLOR	ITEM DESCRIPTION
34432524	325-CHN	CHESTNUT	5 DRAWER CHEST
34432536	325-CHC	CHARCOAL	5 DRAWER CHEST



ANTI-TIPPING KIT  
HARDWARE PACK

**NOTE: ANTI-TIPPING KIT HARDWARE PACK IS LOCATED IN THE DRAWER**

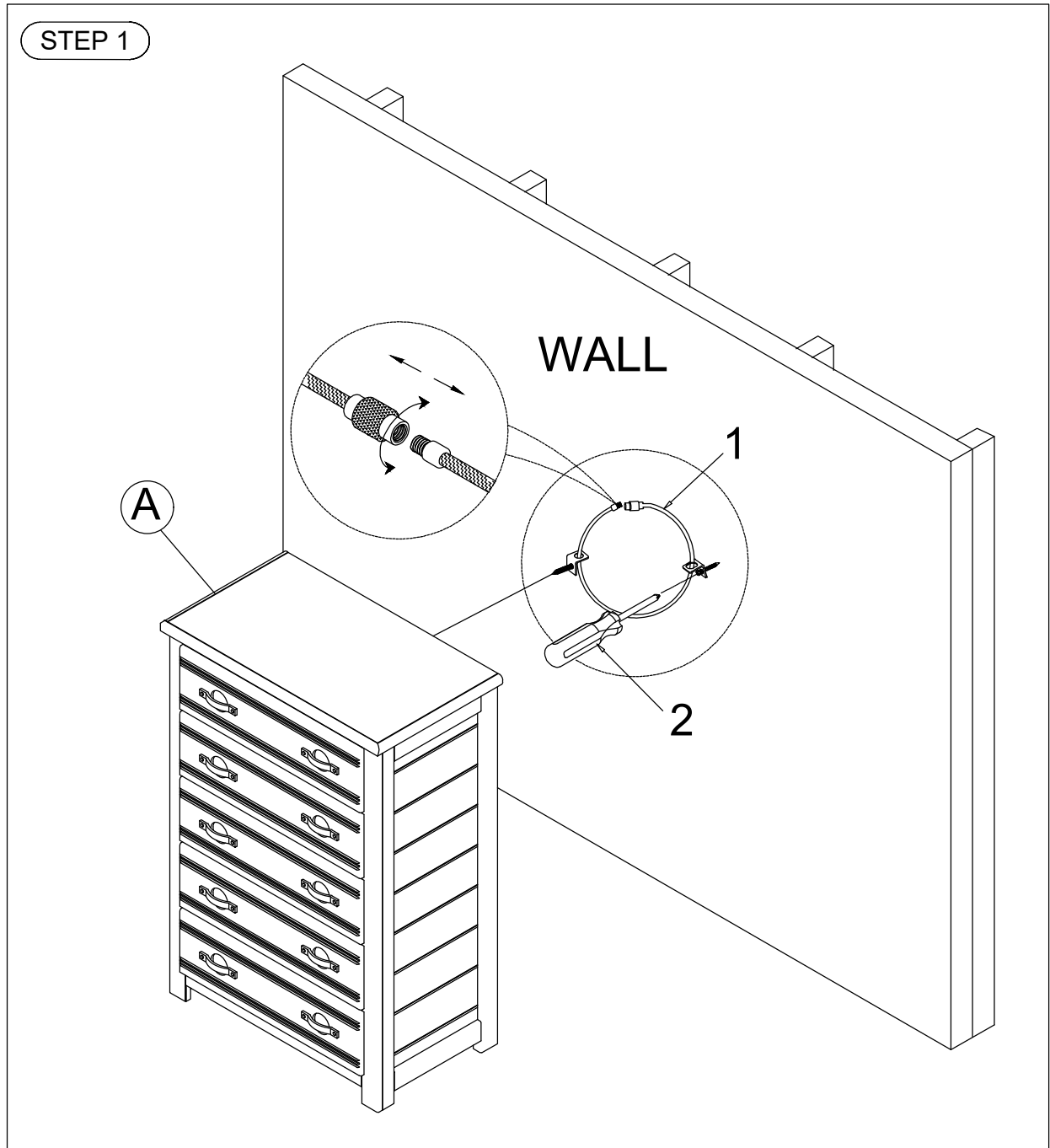
DO NOT USE SUBSTITUTE PARTS. PLEASE CONTACT YOUR RETAIL STORE OR [WWW.ROOMSTOGO.COM](http://WWW.ROOMSTOGO.COM) WITH SERVICE OR PARTS REPLACEMENT REQUEST.

This product is manufactured by (JSFC) for **ROOMS TO GO® | KIDS**

Thank you for purchasing this quality product. Be sure to check all packing material carefully for small parts which may have come loose inside the carton during shipment. Identify and count all parts and compare with the parts list below. Read all instructions before assembling bed and keep these instruction for future reference.

## Assembly Instructions:

### STEP 1



Install Tipping Restraint (1) (Customer to Assemble) with a Philips Screwdriver (2)(Not provided) by following the assembly instructions that come in the Tipping Restraint package.

DO NOT USE SUBSTITUTE PARTS. PLEASE CONTACT YOUR RETAIL STORE OR [WWW.ROOMSTOGO.COM](http://WWW.ROOMSTOGO.COM) WITH SERVICE OR PARTS REPLACEMENT REQUEST.

This product is manufactured by (JSFC) for **ROOMS TO GO® | KIDS**