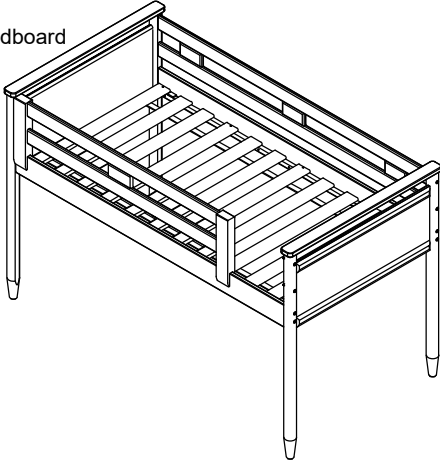


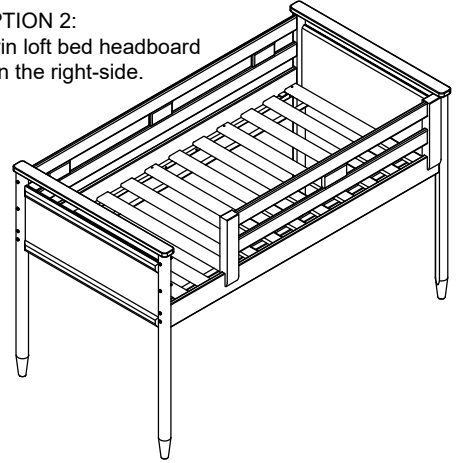
MODERN COLORS

TWIN LOFT BED

OPTION 1:
Twin loft bed headboard
is in the left-side.



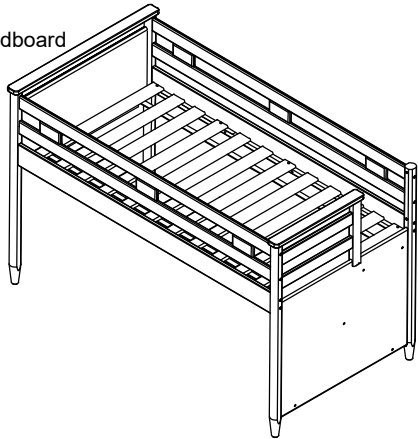
OPTION 2:
Twin loft bed headboard
is in the right-side.



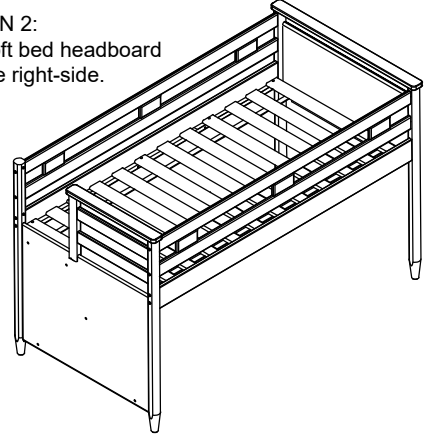
TWIN LOFT BED FOR LADDER INSTALLATION

(NOTE: Please reference page 6 to 11 for assembly steps)

OPTION 1:
Twin loft bed headboard
is in the left-side.



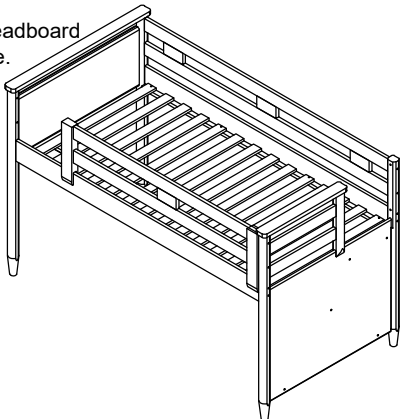
OPTION 2:
Twin loft bed headboard
is in the right-side.



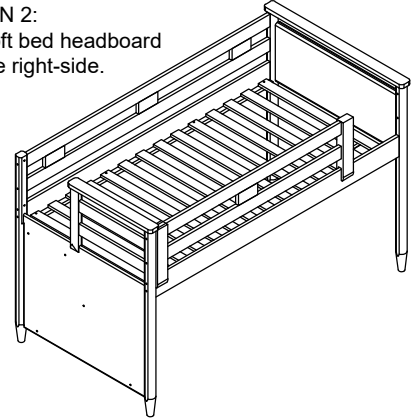
TWIN LOFT BED FOR STAIRCASE INSTALLATION

(NOTE: Please reference page 12 to 16 for assembly steps)

OPTION 1:
Twin loft bed headboard
is in the left-side.



OPTION 2:
Twin loft bed headboard
is in the right-side.



TWIN LOFT BED FOR STAIRCASE & SLIDE INSTALLATION

(NOTE: Please reference page 17 to 22 for assembly steps)

Use only correct mattress dimensions and Bunkie board:

Twin size mattress- 74" - 75" long and 37.5 - 38.5" wide

Twin size Bunkie board - 74" long and 37.5" wide

PLEASE CONTACT YOUR RETAIL STORE WITH SERVICE OR PARTS REPLACEMENT REQUEST

This product is manufactured by (JSFC) for **ROOMS TO GO** | **KIDS**

MODERN COLORS

TWIN LOFT BED

TWIN LOFT BED FOR LADDER INSTALLATION

SKU#	STYLE	COLOR	ITEM DESCRIPTION
35742546	425TE2-W	WHITE	TWIN LOFT BED END (2PC)
36142545	425LGR-W	WHITE	3/4 LOFT BED RAIL SET
35542542	425TSLT-W	WHITE	TWIN SLAT ROLL

SKU#	STYLE	COLOR	ITEM DESCRIPTION
35742534	425TE2-G	LIGHT GRAY	TWIN LOFT BED END (2PC)
36142533	425LGR-G	LIGHT GRAY	3/4 LOFT BED RAIL SET
35542530	425TSLT-G	LIGHT GRAY	TWIN SLAT ROLL

SKU#	STYLE	COLOR	ITEM DESCRIPTION
35742572	425TE2-PK	PINK	TWIN LOFT BED END (2PC)
36142571	425LGR-PK	PINK	3/4 LOFT BED RAIL SET
35542578	425TSLT-PK	PINK	TWIN SLAT ROLL

SKU#	STYLE	COLOR	ITEM DESCRIPTION
35742510	425TE2-IO	IRON ORE	TWIN LOFT BED END (2PC)
36142519	425LGR-IO	IRON ORE	3/4 LOFT BED RAIL SET
35542516	425TSLT-IO	IRON ORE	TWIN SLAT ROLL

SKU#	STYLE	COLOR	ITEM DESCRIPTION
35742522	425TE2-SB	SLATE BLUE	TWIN LOFT BED END (2PC)
36142521	425LGR-SB	SLATE BLUE	3/4 LOFT BED RAIL SET
35542528	425TSLT-SB	SLATE BLUE	TWIN SLAT ROLL

TWIN LOFT BED FOR STAIRCASE INSTALLATION

SKU#	STYLE	COLOR	ITEM DESCRIPTION
35842548	425TE3-W	WHITE	TWIN BED END & STEP END (3PC)
36242547	425FGR-W	WHITE	FULL LENGTH LOFT BED RAIL SET
35542542	425TSLT-W	WHITE	TWIN SLAT ROLL

SKU#	STYLE	COLOR	ITEM DESCRIPTION
35842536	425TE3-G	LIGHT GRAY	TWIN BED END & STEP END (3PC)
36242535	425FGR-G	LIGHT GRAY	FULL LENGTH LOFT BED RAIL SET
35542530	425TSLT-G	LIGHT GRAY	TWIN SLAT ROLL

SKU#	STYLE	COLOR	ITEM DESCRIPTION
35842574	425TE3-PK	PINK	TWIN BED END & STEP END (3PC)
36242573	425FGR-PK	PINK	FULL LENGTH LOFT BED RAIL SET
35542578	425TSLT-PK	PINK	TWIN SLAT ROLL

SKU#	STYLE	COLOR	ITEM DESCRIPTION
35842512	425TE3-IO	IRON ORE	TWIN BED END & STEP END (3PC)
36242511	425FGR-IO	IRON ORE	FULL LENGTH LOFT BED RAIL SET
35542516	425TSLT-IO	IRON ORE	TWIN SLAT ROLL

SKU#	STYLE	COLOR	ITEM DESCRIPTION
35842524	425TE3-SB	SLATE BLUE	TWIN BED END & STEP END (3PC)
36242523	425FGR-SB	SLATE BLUE	FULL LENGTH LOFT BED RAIL SET
35542528	425TSLT-SB	SLATE BLUE	TWIN SLAT ROLL

TWIN LOFT BED FOR STAIRCASE & SLIDE INSTALLATION

SKU#	STYLE	COLOR	ITEM DESCRIPTION
35842548	425TE3-W	WHITE	TWIN BED END & STEP END (3PC)
36142545	425LGR-W	WHITE	3/4 LOFT BED RAIL SET
35542542	425TSLT-W	WHITE	TWIN SLAT ROLL

SKU#	STYLE	COLOR	ITEM DESCRIPTION
35842536	425TE3-G	LIGHT GRAY	TWIN BED END & STEP END (3PC)
36142533	425LGR-G	LIGHT GRAY	3/4 LOFT BED RAIL SET
35542530	425TSLT-G	LIGHT GRAY	TWIN SLAT ROLL

SKU#	STYLE	COLOR	ITEM DESCRIPTION
35842574	425TE3-PK	PINK	TWIN BED END & STEP END (3PC)
36142571	425LGR-PK	PINK	3/4 LOFT BED RAIL SET
35542578	425TSLT-PK	PINK	TWIN SLAT ROLL

SKU#	STYLE	COLOR	ITEM DESCRIPTION
35842512	425TE3-IO	IRON ORE	TWIN BED END & STEP END (3PC)
36142519	425LGR-IO	IRON ORE	3/4 LOFT BED RAIL SET
35542516	425TSLT-IO	IRON ORE	TWIN SLAT ROLL

SKU#	STYLE	COLOR	ITEM DESCRIPTION
35842524	425TE3-SB	SLATE BLUE	TWIN BED END & STEP END (3PC)
36142521	425LGR-SB	SLATE BLUE	3/4 LOFT BED RAIL SET
35542528	425TSLT-SB	SLATE BLUE	TWIN SLAT ROLL

PLEASE CONTACT YOUR RETAIL STORE WITH SERVICE OR PARTS REPLACEMENT REQUEST

This product is manufactured by (JSFC) for **ROOMS TO GO® | KIDS**

MATTRESS AND BUNKIE BOARD CHART

PACKAGE	DESCRIPTION	TOP BED
3434254P WHITE	TWIN LOFT BED W/ LADDER	Twin Mattress Twin Bunkie board recommended
3434253P LIGHT GRAY	TWIN LOFT BED W/ LADDER	Twin Mattress Twin Bunkie board recommended
3434257P PINK	TWIN LOFT BED W/ LADDER	Twin Mattress Twin Bunkie board recommended
3434251P IRON ORE	TWIN LOFT BED W/ LADDER	Twin Mattress Twin Bunkie board recommended
3434252P SLATE BLUE	TWIN LOFT BED W/ LADDER	Twin Mattress Twin Bunkie board recommended

PACKAGE	DESCRIPTION	TOP BED
3444254P WHITE	TWIN LOFT BED W/ STAIRCASE	Twin Mattress Twin Bunkie board recommended
3444253P LIGHT GRAY	TWIN LOFT BED W/ STAIRCASE	Twin Mattress Twin Bunkie board recommended
3444257P PINK	TWIN LOFT BED W/ STAIRCASE	Twin Mattress Twin Bunkie board recommended
3444251P IRON ORE	TWIN LOFT BED W/ STAIRCASE	Twin Mattress Twin Bunkie board recommended
3444252P SLATE BLUE	TWIN LOFT BED W/ STAIRCASE	Twin Mattress Twin Bunkie board recommended

PACKAGE	DESCRIPTION	TOP BED
3454254P WHITE	TWIN LOFT BED WITH STAIRCASE & SLIDE	Twin Mattress Twin Bunkie board recommended
3454253P LIGHT GRAY	TWIN LOFT BED WITH STAIRCASE & SLIDE	Twin Mattress Twin Bunkie board recommended
3454257P PINK	TWIN LOFT BED WITH STAIRCASE & SLIDE	Twin Mattress Twin Bunkie board recommended
3454251P IRON ORE	TWIN LOFT BED WITH STAIRCASE & SLIDE	Twin Mattress Twin Bunkie board recommended
3454252P SLATE BLUE	TWIN LOFT BED WITH STAIRCASE & SLIDE	Twin Mattress Twin Bunkie board recommended

**Use only correct mattress dimensions and Bunkie board:
Twin size mattress- 74" - 75" long and 37.5 - 38.5" wide
Twin size Bunkie board - 74" long and 37.5" wide**

This product is manufactured by (JSFC) for **ROOMS TO GO** | **KIDS**



WARNING DANGER:

Failure to follow these warnings and assembly instructions could result in serious injury or death. To help prevent serious or fatal injuries from entrapment or falls:

-Read all instructions before assembling bunk bed and keep these instructions for future reference.

-Before each usage or assembly, inspect bunk bed for damaged hardware, loose joints, missing parts, or sharp edges. DO NOT use bunk bed if any parts are missing or broken.

-DO NOT use substitute parts. Contact your local Rooms To Go or visit www.ROOMSTOGO.com for replacement parts and instructional literature if needed.

-Follow the information on the warnings appearing on the upper bunk end structure and on the carton.

DO NOT REMOVE WARNING LABEL FROM BED

-Always use the recommended size mattresses or mattress supports, or both, to help prevent the likelihood of entrapment or falls.

-Ensure thickness of mattress and foundation combined does not exceed **10** inches and mattress surface is at least 5 inches (127mm) below upper edge of guardrails for the upper bunk.

-Do not allow children under 6 years of age to use the upper bunk.

-Periodically check and ensure that the guardrail, ladder, and other components are in their proper position, free from damage, and that all connectors are tight.

-Do not allow horseplay on or under the bed and prohibit jumping on the bed.

-Limit top bunk use to one person.

-Always use the ladder for entering and leaving the upper bunk.

-Use of a night light may provide added safety precaution for a child using the upper bunk.

-Always use guardrails on both long sides of the upper bunk. If the bunk bed will be placed next to the wall, the guardrail that runs the full length of the bed should be placed against the wall to prevent entrapment between the bed and wall.

-The use of water or sleep flotation mattresses is prohibited.

-This bunk bed meets all the requirement of ASTM F1427-21^{e1} standard consumer safety specification for bunk beds.



STRANGULATION HAZARD:

Never attach or hang items to any part of the bunk bed that are not designed for use with the bed; for example, but not limited to, hooks, belts and jump ropes.

Pre - Assembly

Warning:

The bed slats included with this bed will not support a mattress alone, this bed does not require Bunkie boards (sold separately) but they are recommended.

Read all the instructions, identify all components, choose your configuration, and be sure you have all parts prior to assembly.

Two people are needed to assemble.

Tools Needed

Phillips heads screwdriver (not included)
4mm allen wrench (included)

MAKE SURE ALL BOLTS ARE TIGHTENED COMPLETELY

CARE INSTRUCTIONS:



Dust with a clean, soft cloth. Avoid the use of all abrasive cleaners.

PLEASE CONTACT YOUR RETAIL STORE WITH SERVICE OR PARTS REPLACEMENT REQUEST.




MODERN COLORS

TWIN LOFT BED FOR LADDER INSTALLATION



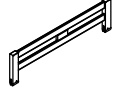
BED END PART LIST

	ITEM DESCRIPTION	IMAGE	QTY
A	HEADBOARD		1 PC
B	FOOTBOARD		1 PC


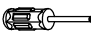
3/4 LOFT BED RAIL SET HARDWARE LIST

	ITEM DESCRIPTION	IMAGE	QTY
1	BOLT Ø1/4*15*3"		14 PCS
2	ALLEN KEY 4mm		1 PC
3	SCREW M4 x 1"		2 PCS

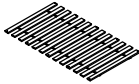
3/4 RAIL SET PART LIST

	ITEM DESCRIPTION	IMAGE	QTY
C	SIDE RAIL		2 PCS
D	GUARD RAIL		1 PCS
E	3/4 GUARD RAIL		1 PC

SLAT ROLL HARDWARE LIST

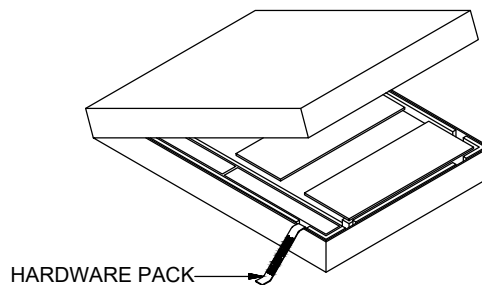
	ITEM DESCRIPTION	IMAGE	QTY
4	SCREW M4 x 1 1/4"		10 PCS
5	PHILIPS SCREWDRIVER (NOT PROVIDED)		1 PC

SLAT PART LIST

	ITEM DESCRIPTION	IMAGE	QTY
G	SLAT ROLL		1 SET

HARDWARE PACK LOCATION

SKU#	STYLE	COLOR	ITEM DESCRIPTION
36142545	425LGR-W	WHITE	3/4 LOFT BED RAIL SET
36142533	425LGR-G	LIGHT GRAY	3/4 LOFT BED RAIL SET
36142571	425LGR-PK	PINK	3/4 LOFT BED RAIL SET
36142519	425LGR-IO	IRON ORE	3/4 LOFT BED RAIL SET
36142521	425LGR-SB	SLATE BLUE	3/4 LOFT BED RAIL SET



PLEASE CONTACT YOUR RETAIL STORE WITH SERVICE OR PARTS REPLACEMENT REQUEST

This product is manufactured by (JSFC) for **ROOMS TO GO** | **KIDS**

MODERN COLORS

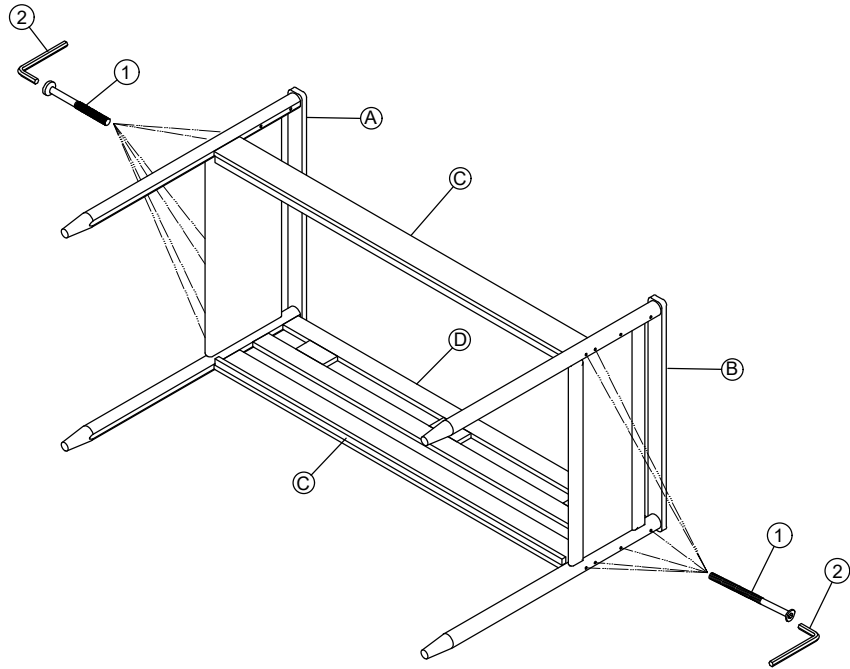
TWIN LOFT BED FOR LADDER INSTALLATION

Thank you for purchasing this quality product. Be sure to check all packing material carefully for small parts which may have come loose inside the carton during shipment. Identify and count all parts and compare with the parts list below. Read all instructions before assembling bed and keep these instruction for future reference.

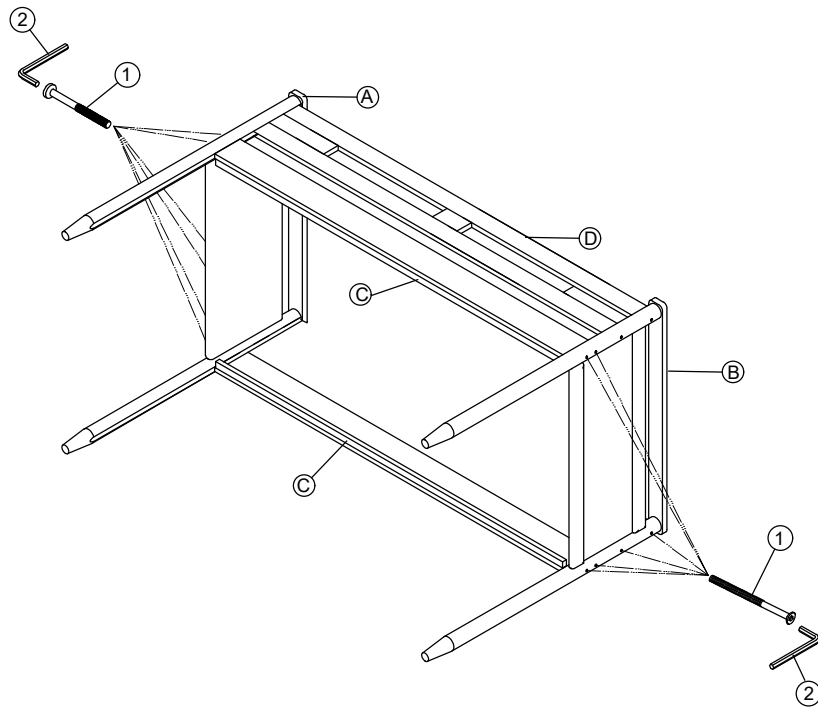
Assembly Instructions:

STEP 1

OPTION 1:
Twin loft bed headboard
is in the left-side.



OPTION 2:
Twin loft bed headboard
is in the right-side.



DO NOT USE SUBSTITUTE PARTS. PLEASE CONTACT YOUR RETAIL STORE OR WWW.ROOMSTOGO.COM WITH SERVICE OR PARTS REPLACEMENT REQUEST.

This product is manufactured by (JSFC) for **ROOMS TO GO** | **KIDS**

MODERN COLORS

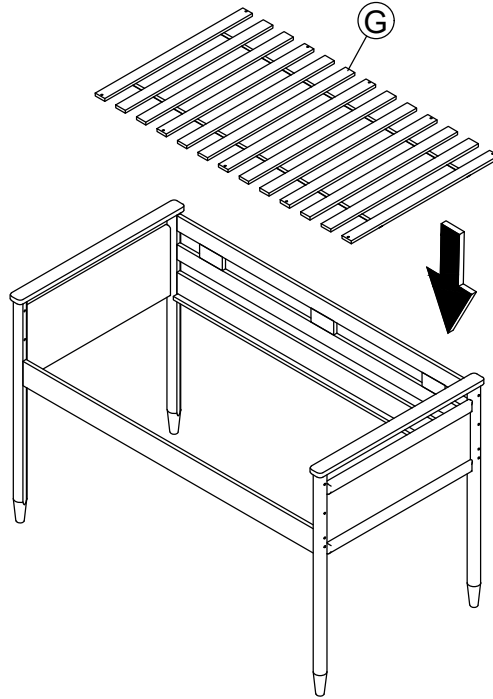
TWIN LOFT BED FOR LADDER INSTALLATION

Thank you for purchasing this quality product. Be sure to check all packing material carefully for small parts which may have come loose inside the carton during shipment. Identify and count all parts and compare with the parts list below. Read all instructions before assembling bed and keep these instruction for future reference.

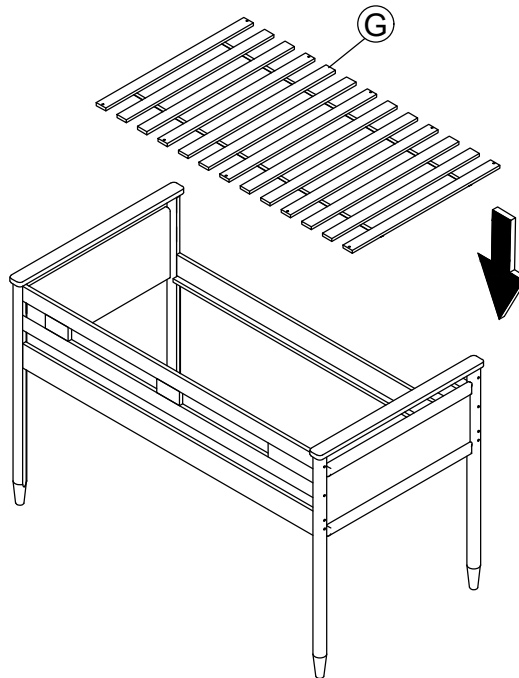
Assembly Instructions:

STEP 2

OPTION 1:
Twin loft bed headboard
is in the left-side.



OPTION 2:
Twin loft bed headboard
is in the right-side.



DO NOT USE SUBSTITUTE PARTS. PLEASE CONTACT YOUR RETAIL STORE OR WWW.ROOMSTOGO.COM WITH SERVICE OR PARTS REPLACEMENT REQUEST.

This product is manufactured by (JSFC) for **ROOMS TO GO** | **KIDS**

MODERN COLORS

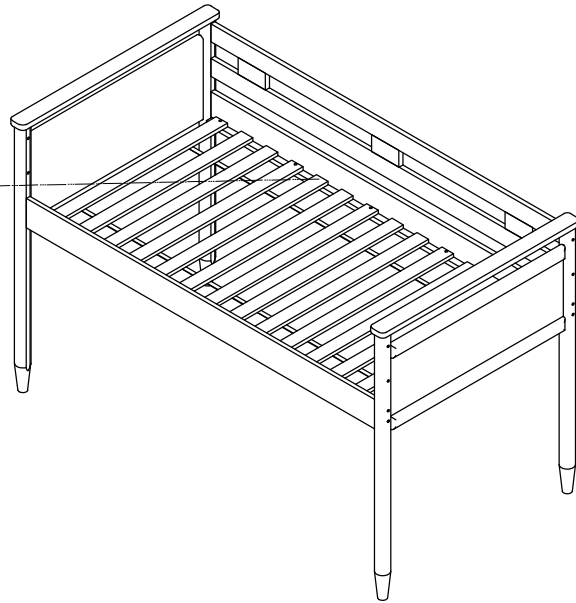
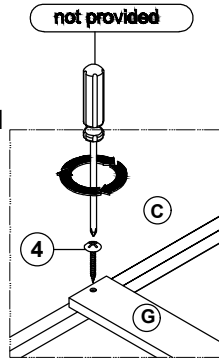
TWIN LOFT BED FOR LADDER INSTALLATION

Thank you for purchasing this quality product. Be sure to check all packing material carefully for small parts which may have come loose inside the carton during shipment. Identify and count all parts and compare with the parts list below. Read all instructions before assembling bed and keep these instruction for future reference.

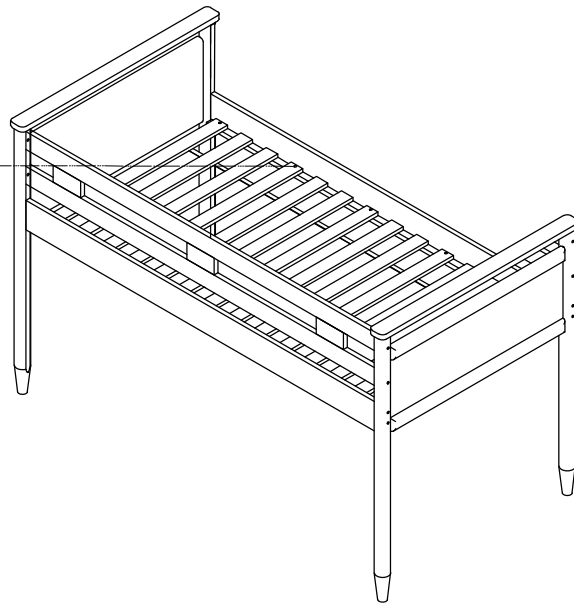
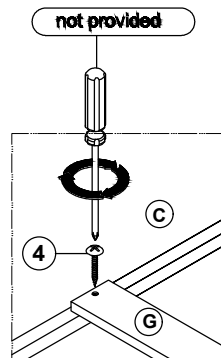
Assembly Instructions:

STEP 3

OPTION 1:
Twin loft bed headboard
is in the left-side.



OPTION 2:
Twin loft bed headboard
is in the right-side.



DO NOT USE SUBSTITUTE PARTS. PLEASE CONTACT YOUR RETAIL STORE OR WWW.ROOMSTOGO.COM WITH SERVICE OR PARTS REPLACEMENT REQUEST.

This product is manufactured by (JSFC) for **ROOMS TO GO® | KIDS**

MODERN COLORS

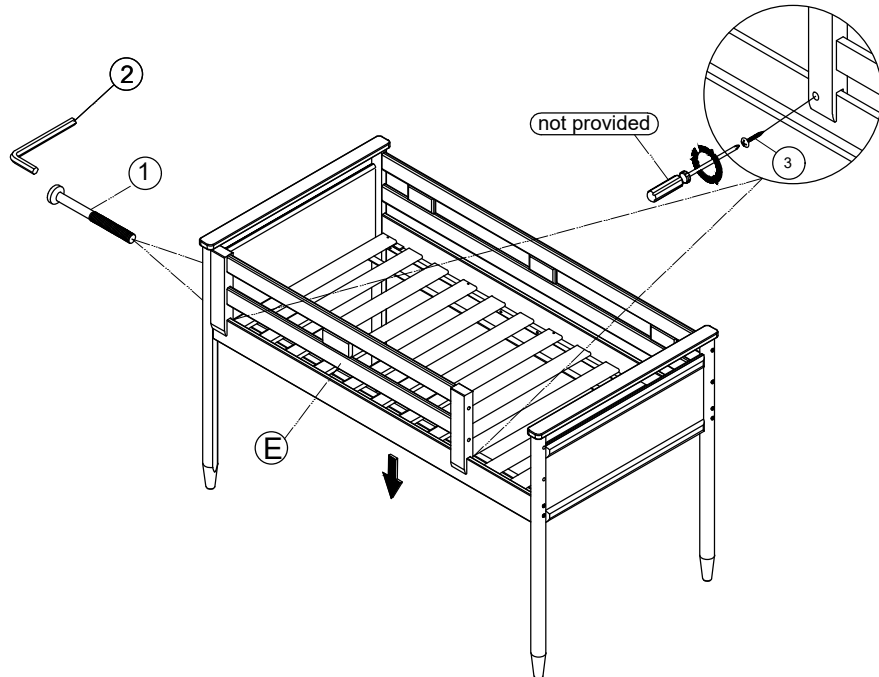
TWIN LOFT BED FOR LADDER INSTALLATION

Thank you for purchasing this quality product. Be sure to check all packing material carefully for small parts which may have come loose inside the carton during shipment. Identify and count all parts and compare with the parts list below. Read all instructions before assembling bed and keep these instruction for future reference.

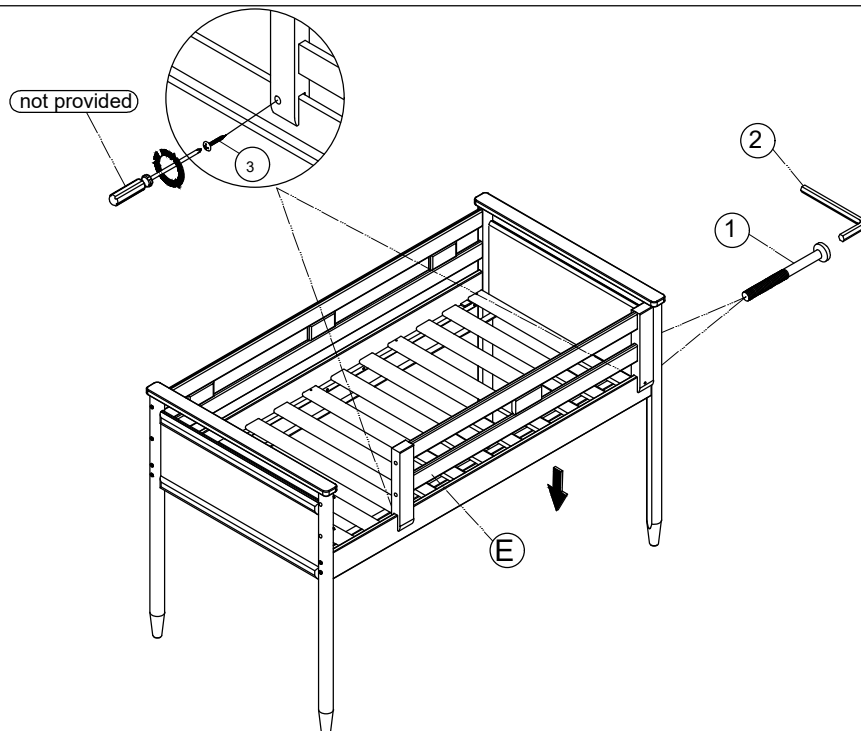
Assembly Instructions:

STEP 4

OPTION 1:
Twin loft bed headboard
is in the left-side.



OPTION 2:
Twin loft bed headboard
is in the right-side.



DO NOT USE SUBSTITUTE PARTS. PLEASE CONTACT YOUR RETAIL STORE OR WWW.ROOMSTOGO.COM WITH SERVICE OR PARTS REPLACEMENT REQUEST.

This product is manufactured by (JSFC) for **ROOMS TO GO** | **KIDS**

MODERN COLORS

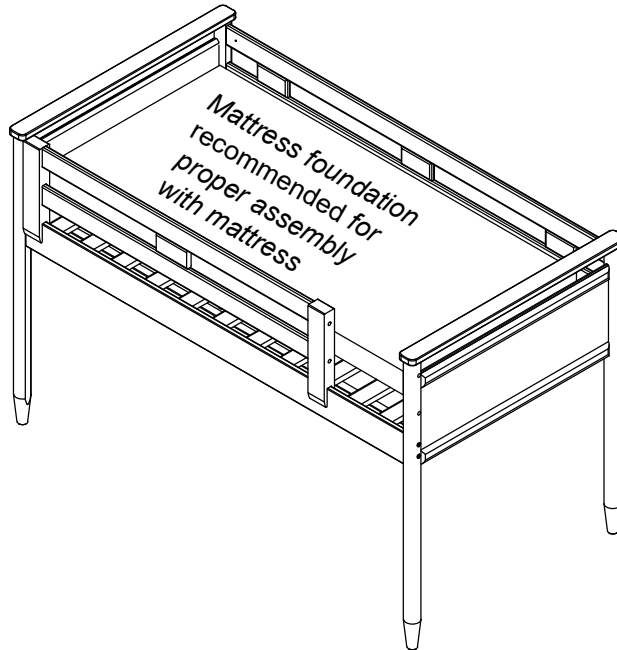
TWIN LOFT BED FOR LADDER INSTALLATION

Thank you for purchasing this quality product. Be sure to check all packing material carefully for small parts which may have come loose inside the carton during shipment. Identify and count all parts and compare with the parts list below. Read all instructions before assembling bed and keep these instruction for future reference.

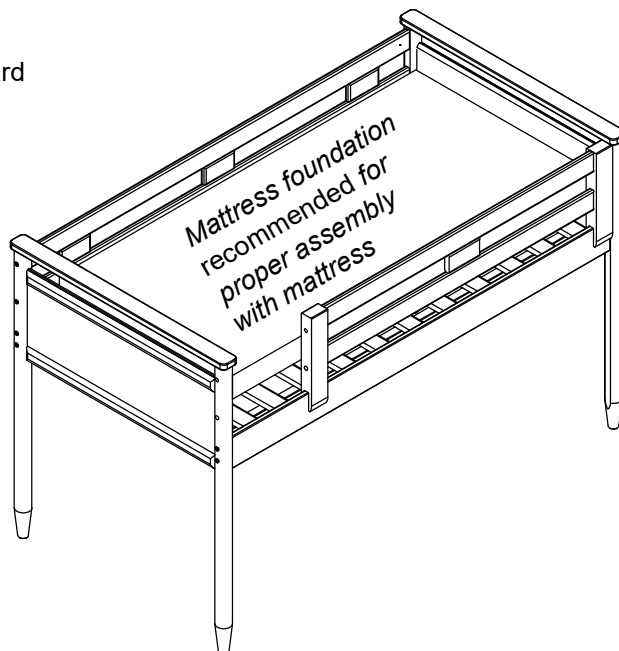
Assembly Instructions:

STEP 5

OPTION 1:
Twin loft bed headboard
is in the left-side.



OPTION 2:
Twin loft bed headboard
is in the right-side.



A mattress foundation is recommended for proper assembly with mattress.
Place the mattress foundation (not provided) on top.

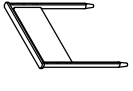
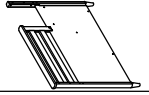
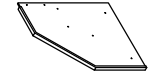
DO NOT USE SUBSTITUTE PARTS. PLEASE CONTACT YOUR RETAIL STORE OR WWW.ROOMSTOGO.COM
WITH SERVICE OR PARTS REPLACEMENT REQUEST.

This product is manufactured by (JSFC) for **ROOMS TO GO® | KIDS**



MODERN COLORS

TWIN LOFT BED FOR STAIRCASE INSTALLATION


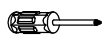
BED END PART LIST

	ITEM DESCRIPTION	IMAGE	QTY
A	HEADBOARD		1 PC
B	FOOTBOARD		1 PC
F	STAIRCASE END PANEL		1 pc



FULL LENGTH LOFT BED RAIL SET HARDWARE LIST

	ITEM DESCRIPTION	IMAGE	QTY
1	BOLT Ø1/4*15*3"		16 PCS
2	ALLEN KEY 4mm		1 PC

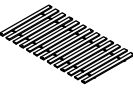
SLAT ROLL HARDWARE LIST

	ITEM DESCRIPTION	IMAGE	QTY
4	SCREW M4 x 1 1/4"		10 PCS
5	PHILIPS SCREWDRIVER (NOT PROVIDED)		1 PC

RAIL SET PART LIST

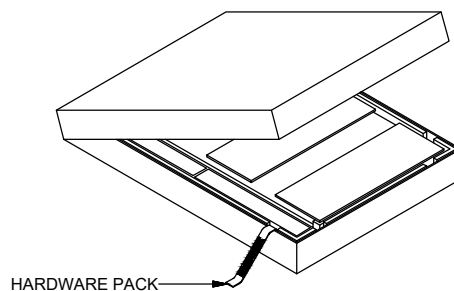
	ITEM DESCRIPTION	IMAGE	QTY
C	SIDE RAIL		2 PCS
D	GUARD RAIL		2 PCS

SLAT ROLL PART LIST

	ITEM DESCRIPTION	IMAGE	QTY
G	SLAT ROLL		1 SET

HARDWARE PACK LOCATION

SKU#	STYLE	COLOR	ITEM DESCRIPTION
36242547	425FGR-W	WHITE	FULL LENGTH LOFT BED RAIL SET
36242535	425FGR-G	LIGHT GRAY	FULL LENGTH LOFT BED RAIL SET
36242573	425FGR-PK	PINK	FULL LENGTH LOFT BED RAIL SET
36242511	425FGR-IO	IRON ORE	FULL LENGTH LOFT BED RAIL SET
36242523	425FGR-SB	SLATE BLUE	FULL LENGTH LOFT BED RAIL SET



PLEASE CONTACT YOUR RETAIL STORE WITH SERVICE OR PARTS REPLACEMENT REQUEST

This product is manufactured by (JSFC) for **ROOMS TO GO® | KIDS**

MODERN COLORS

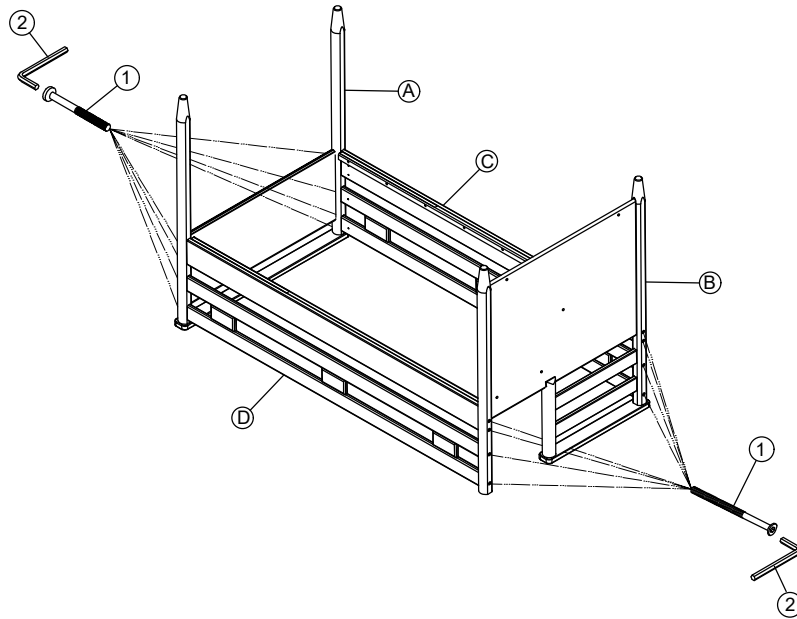
TWIN LOFT BED FOR STAIRCASE INSTALLATION

Thank you for purchasing this quality product. Be sure to check all packing material carefully for small parts which may have come loose inside the carton during shipment. Identify and count all parts and compare with the parts list below. Read all instructions before assembling bed and keep these instruction for future reference.

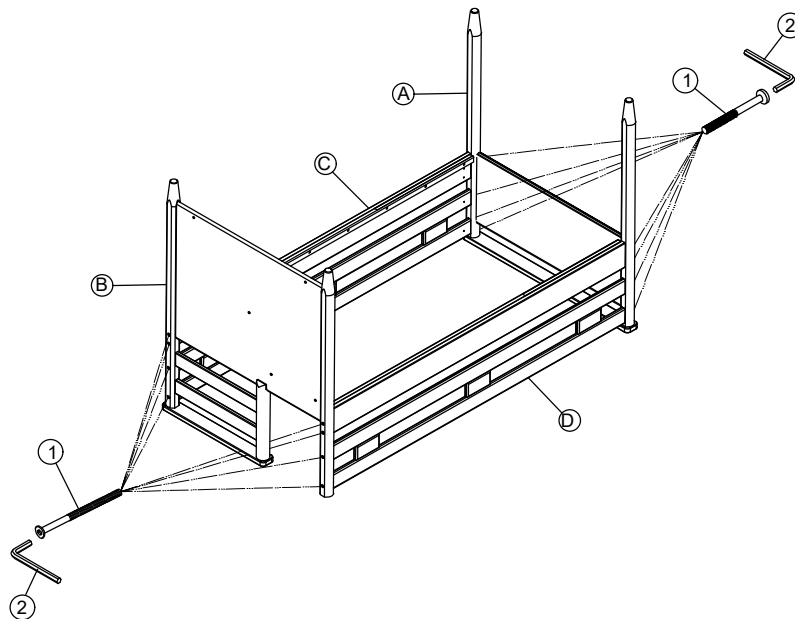
Assembly Instructions:

STEP 1

OPTION 1:
Twin loft bed headboard
is in the left-side.



OPTION 2:
Twin loft bed headboard
is in the right-side.



DO NOT USE SUBSTITUTE PARTS. PLEASE CONTACT YOUR RETAIL STORE OR WWW.ROOMSTOGO.COM WITH SERVICE OR PARTS REPLACEMENT REQUEST.

This product is manufactured by (JSFC) for **ROOMS TO GO® | KIDS**

MODERN COLORS

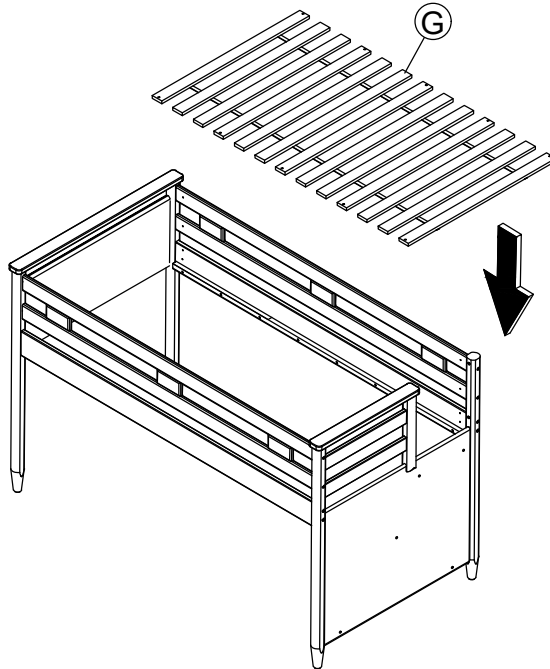
TWIN LOFT BED FOR STAIRCASE INSTALLATION

Thank you for purchasing this quality product. Be sure to check all packing material carefully for small parts which may have come loose inside the carton during shipment. Identify and count all parts and compare with the parts list below. Read all instructions before assembling bed and keep these instruction for future reference.

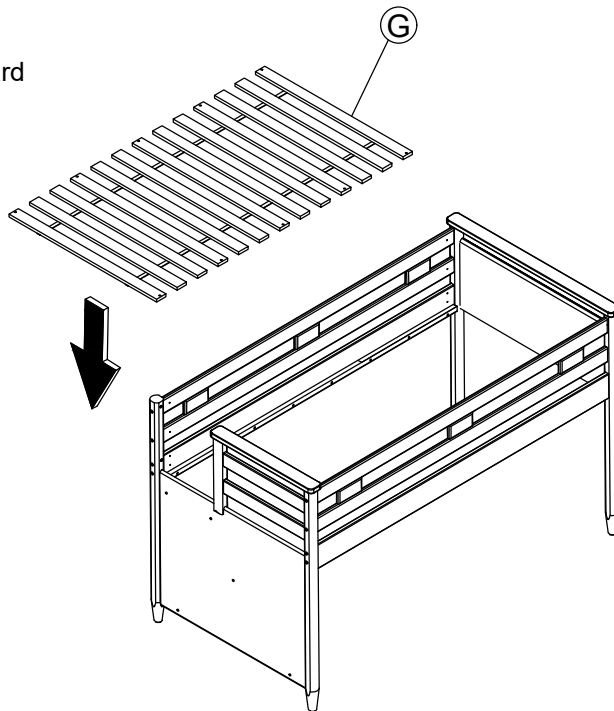
Assembly Instructions:

STEP 2

OPTION 1:
Twin loft bed headboard
is in the left-side.



OPTION 2:
Twin loft bed headboard
is in the right-side.



DO NOT USE SUBSTITUTE PARTS. PLEASE CONTACT YOUR RETAIL STORE OR WWW.ROOMSTOGO.COM
WITH SERVICE OR PARTS REPLACEMENT REQUEST.

This product is manufactured by (JSFC) for **ROOMS TO GO® | KIDS**

MODERN COLORS

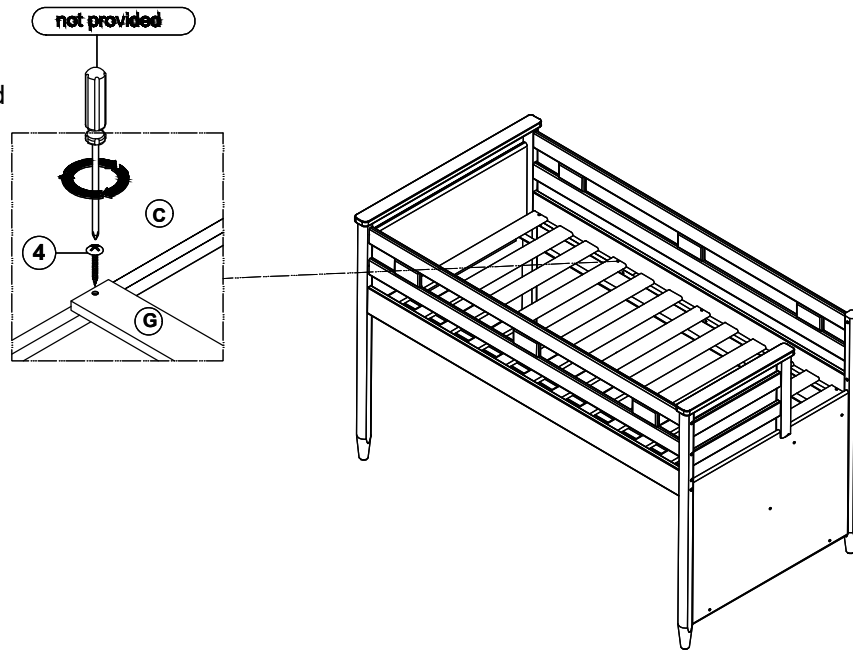
TWIN LOFT BED FOR STAIRCASE INSTALLATION

Thank you for purchasing this quality product. Be sure to check all packing material carefully for small parts which may have come loose inside the carton during shipment. Identify and count all parts and compare with the parts list below. Read all instructions before assembling bed and keep these instruction for future reference.

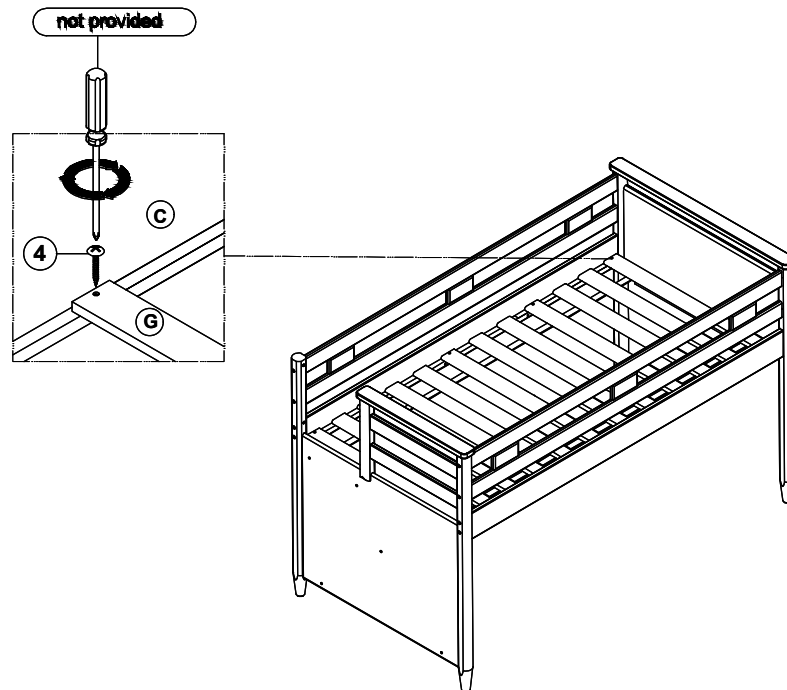
Assembly Instructions:

STEP 3

OPTION 1:
Twin loft bed headboard
is in the left-side.



OPTION 2:
Twin loft bed headboard
is in the right-side.



DO NOT USE SUBSTITUTE PARTS. PLEASE CONTACT YOUR RETAIL STORE OR WWW.ROOMSTOGO.COM
WITH SERVICE OR PARTS REPLACEMENT REQUEST.

This product is manufactured by (JSFC) for **ROOMS TO GO® | KIDS**

MODERN COLORS

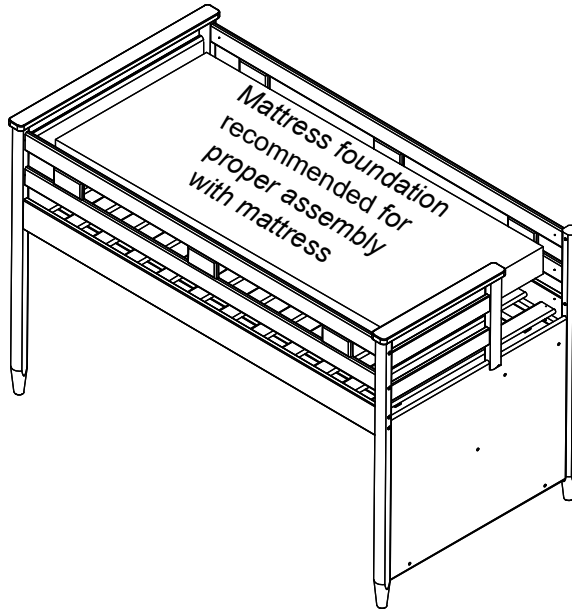
TWIN LOFT BED FOR STAIRCASE INSTALLATION

Thank you for purchasing this quality product. Be sure to check all packing material carefully for small parts which may have come loose inside the carton during shipment. Identify and count all parts and compare with the parts list below. Read all instructions before assembling bed and keep these instruction for future reference.

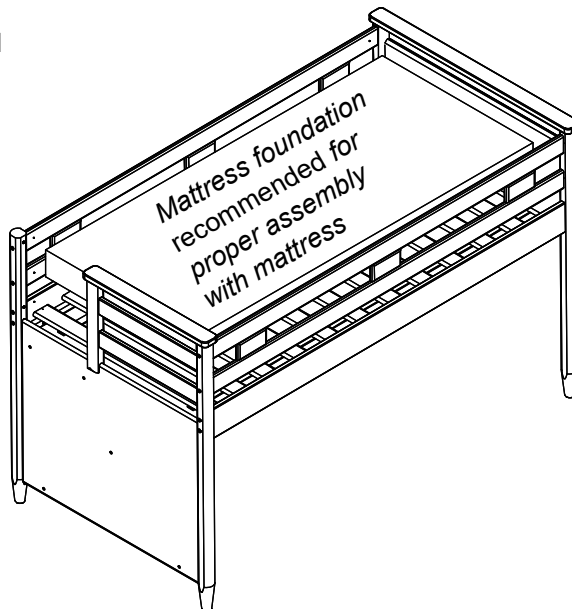
Assembly Instructions:

STEP 4

OPTION 1:
Twin loft bed headboard
is in the left-side.



OPTION 2:
Twin loft bed headboard
is in the right-side.



A mattress foundation is recommended for proper assembly with mattress.
Place the mattress foundation (not provided) on top.


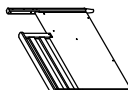

DO NOT USE SUBSTITUTE PARTS. PLEASE CONTACT YOUR RETAIL STORE OR WWW.ROOMSTOGO.COM
WITH SERVICE OR PARTS REPLACEMENT REQUEST.

This product is manufactured by (JSFC) for **ROOMS TO GO® | KIDS**




MODERN COLORS

TWIN LOFT BED FOR STAIRCASE & SLIDE INSTALLATION


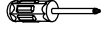
BED END PART LIST

	ITEM DESCRIPTION	IMAGE	QTY
A	HEADBOARD		1 PC
B	FOOTBOARD		1 PC
F	STAIRCASE END PANEL		1 pc




3/4 LOFT BED RAIL SET HARDWARE LIST

	ITEM DESCRIPTION	IMAGE	QTY
1	BOLT Ø1/4*15*3"		14 PCS
2	ALLEN KEY 4mm		1 PC
3	SCREW M4 x 1"		2 PCS


SLAT ROLL HARDWARE LIST

	ITEM DESCRIPTION	IMAGE	QTY
4	SCREW M4 x 1-1/4"		10 PCS
5	PHILIPS SCREWDRIVER (NOT PROVIDED)		1 PC

3/4 RAIL SET PART LIST

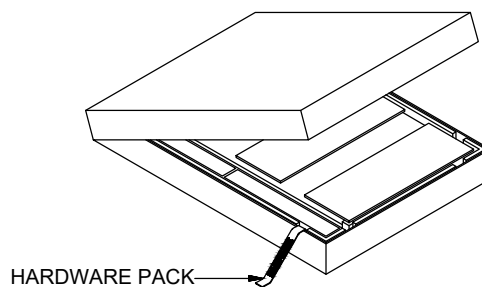
	ITEM DESCRIPTION	IMAGE	QTY
C	SIDE RAIL		2 PCS
D	GUARD RAIL		1 PCS
E	3/4 GUARD RAIL		1 PC

SLAT PART LIST

	ITEM DESCRIPTION	IMAGE	QTY
G	SLAT ROLL		1 SET

HARDWARE PACK LOCATION

SKU#	STYLE	COLOR	ITEM DESCRIPTION
36142545	425LGR-W	WHITE	3/4 LOFT BED RAIL SET
36142533	425LGR-G	LIGHT GRAY	3/4 LOFT BED RAIL SET
36142571	425LGR-PK	PINK	3/4 LOFT BED RAIL SET
36142519	425LGR-IO	IRON ORE	3/4 LOFT BED RAIL SET
36142521	425LGR-SB	SLATE BLUE	3/4 LOFT BED RAIL SET



PLEASE CONTACT YOUR RETAIL STORE WITH SERVICE OR PARTS REPLACEMENT REQUEST

This product is manufactured by (JSFC) for **ROOMS TO GO® | KIDS**

MODERN COLORS

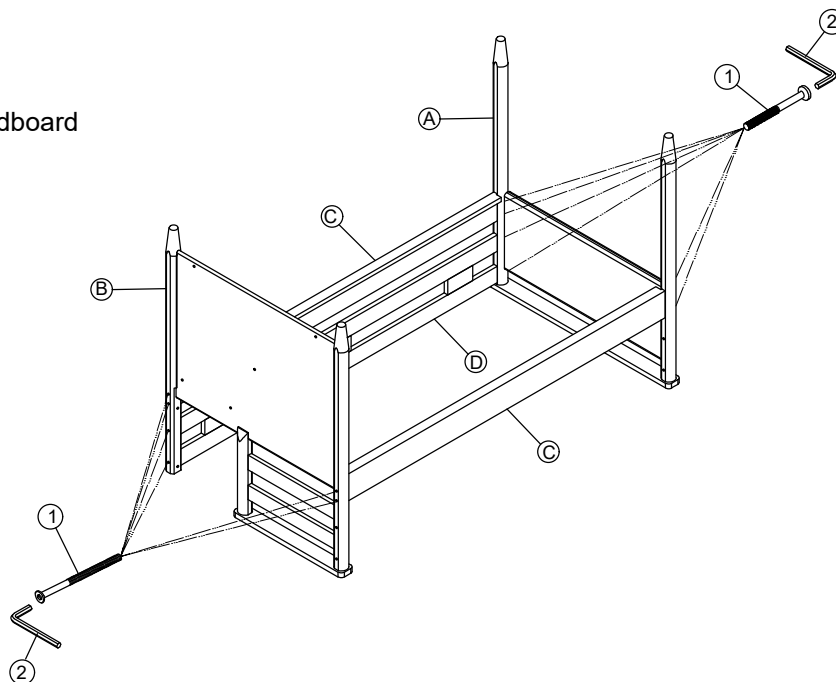
TWIN LOFT BED FOR STAIRCASE & SLIDE INSTALLATION

Thank you for purchasing this quality product. Be sure to check all packing material carefully for small parts which may have come loose inside the carton during shipment. Identify and count all parts and compare with the parts list below. Read all instructions before assembling bed and keep these instruction for future reference.

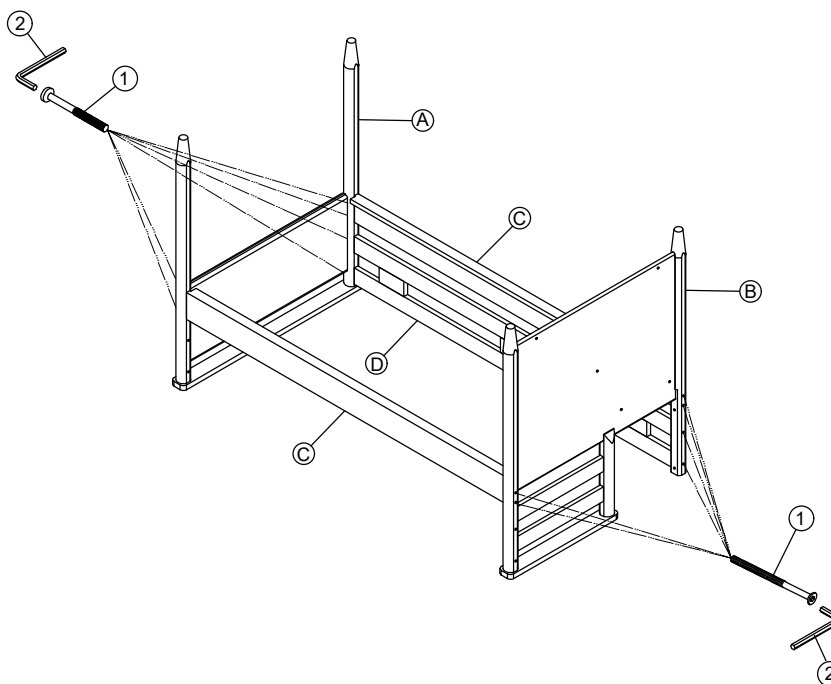
Assembly Instructions:

STEP 1

OPTION 1:
Twin loft bed headboard
is in the left-side.



OPTION 2:
Twin loft bed headboard
is in the right-side.



DO NOT USE SUBSTITUTE PARTS. PLEASE CONTACT YOUR RETAIL STORE OR WWW.ROOMSTOGO.COM WITH SERVICE OR PARTS REPLACEMENT REQUEST.

This product is manufactured by (JSFC) for **ROOMS TO GO® | KIDS**

MODERN COLORS

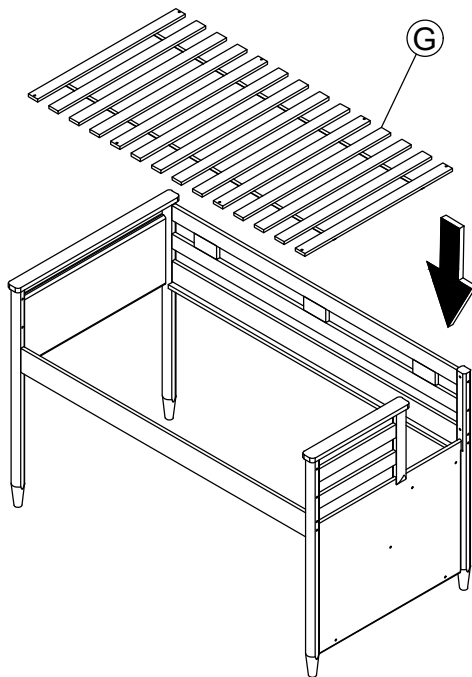
TWIN LOFT BED FOR STAIRCASE & SLIDE INSTALLATION

Thank you for purchasing this quality product. Be sure to check all packing material carefully for small parts which may have come loose inside the carton during shipment. Identify and count all parts and compare with the parts list below. Read all instructions before assembling bed and keep these instruction for future reference.

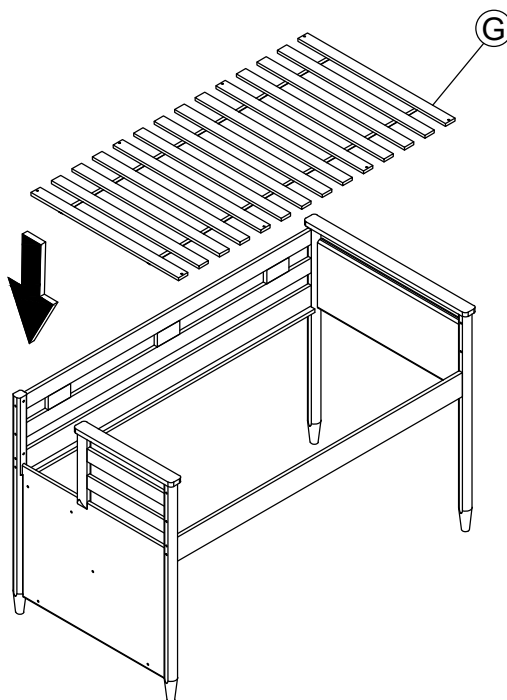
Assembly Instructions:

STEP 2

OPTION 1:
Twin loft bed headboard
is in the left-side.



OPTION 2:
Twin loft bed headboard
is in the right-side.



DO NOT USE SUBSTITUTE PARTS. PLEASE CONTACT YOUR RETAIL STORE OR WWW.ROOMSTOGO.COM
WITH SERVICE OR PARTS REPLACEMENT REQUEST.

This product is manufactured by (JSFC) for **ROOMS TO GO® | KIDS**

MODERN COLORS

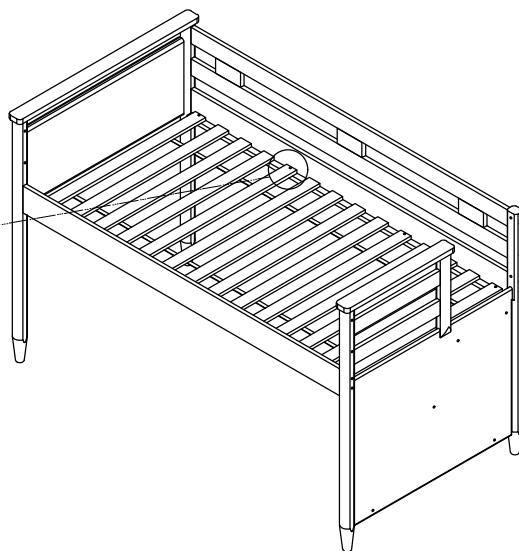
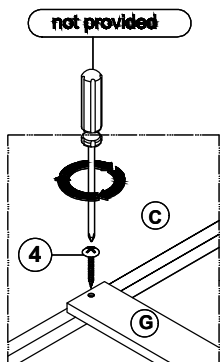
TWIN LOFT BED FOR STAIRCASE & SLIDE INSTALLATION

Thank you for purchasing this quality product. Be sure to check all packing material carefully for small parts which may have come loose inside the carton during shipment. Identify and count all parts and compare with the parts list below. Read all instructions before assembling bed and keep these instruction for future reference.

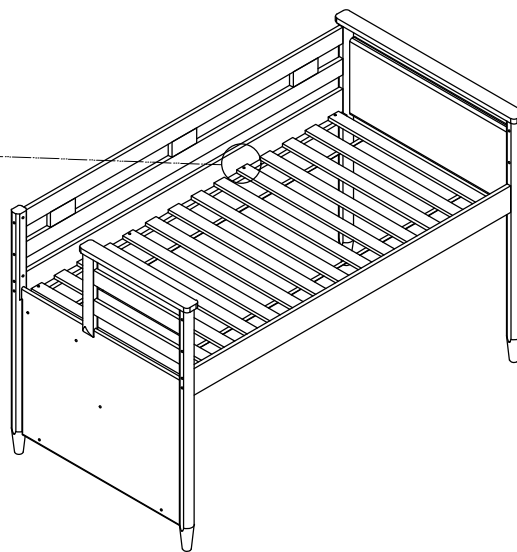
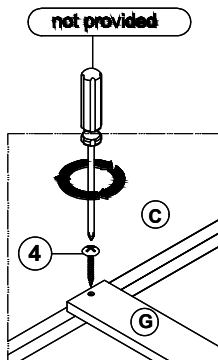
Assembly Instructions:

STEP 3

OPTION 1:
Twin loft bed headboard
is in the left-side.



OPTION 2:
Twin loft bed headboard
is in the right-side.



DO NOT USE SUBSTITUTE PARTS. PLEASE CONTACT YOUR RETAIL STORE OR WWW.ROOMSTOGO.COM
WITH SERVICE OR PARTS REPLACEMENT REQUEST.

This product is manufactured by (JSFC) for **ROOMS TO GO® | KIDS**

MODERN COLORS

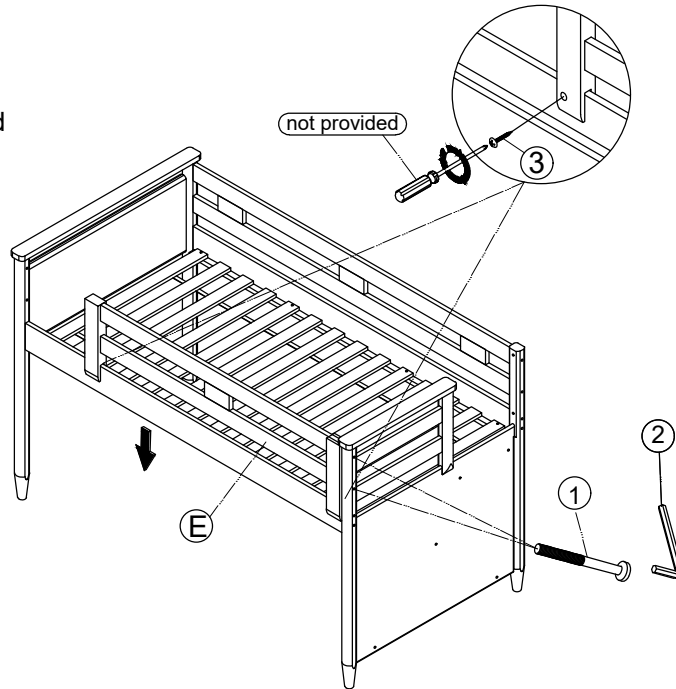
TWIN LOFT BED FOR STAIRCASE & SLIDE INSTALLATION

Thank you for purchasing this quality product. Be sure to check all packing material carefully for small parts which may have come loose inside the carton during shipment. Identify and count all parts and compare with the parts list below. Read all instructions before assembling bed and keep these instruction for future reference.

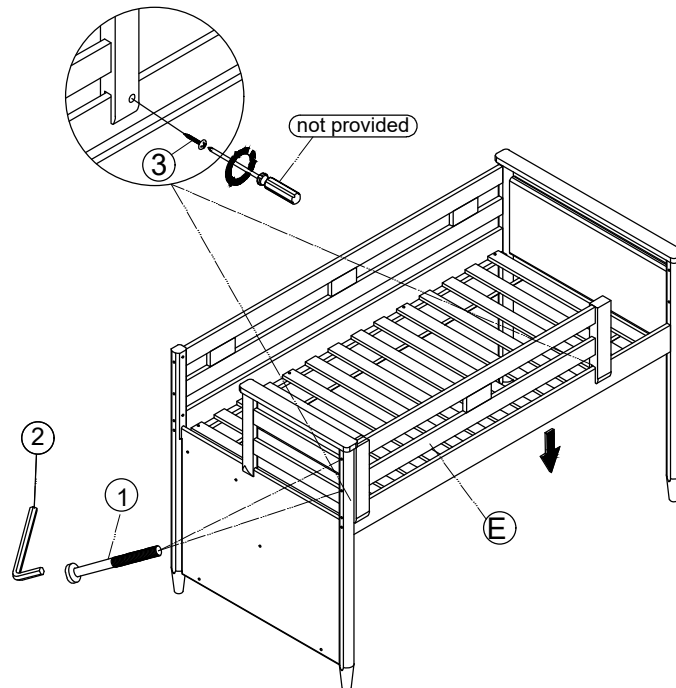
Assembly Instructions:

STEP 4

OPTION 1:
Twin loft bed headboard
is in the left-side.



OPTION 2:
Twin loft bed headboard
is in the right-side.



DO NOT USE SUBSTITUTE PARTS. PLEASE CONTACT YOUR RETAIL STORE OR WWW.ROOMSTOGO.COM WITH SERVICE OR PARTS REPLACEMENT REQUEST.

This product is manufactured by (JSFC) for **ROOMS TO GO® | KIDS**

MODERN COLORS

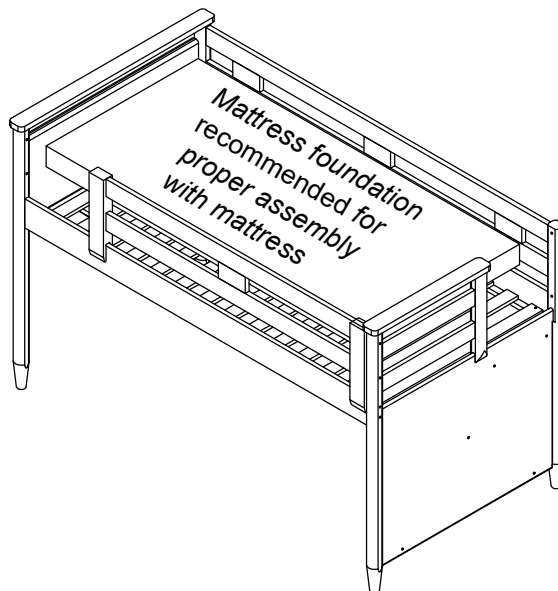
TWIN LOFT BED FOR STAIRCASE & SLIDE INSTALLATION

Thank you for purchasing this quality product. Be sure to check all packing material carefully for small parts which may have come loose inside the carton during shipment. Identify and count all parts and compare with the parts list below. Read all instructions before assembling bed and keep these instruction for future reference.

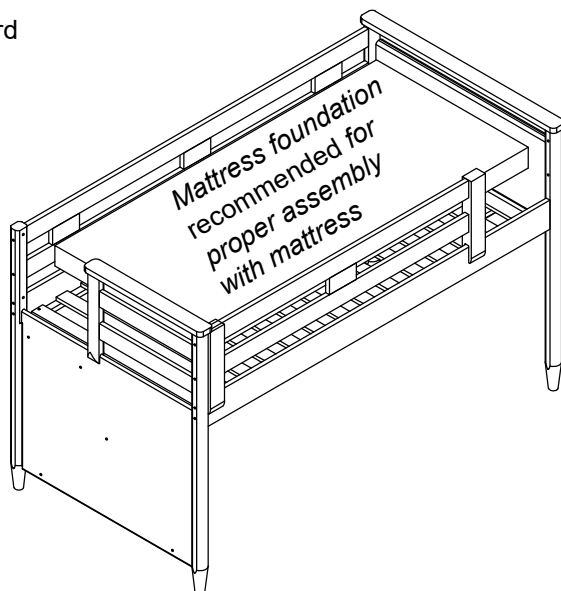
Assembly Instructions:

STEP 5

OPTION 1:
Twin loft bed headboard
is in the left-side.



OPTION 2:
Twin loft bed headboard
is in the right-side.



A mattress foundation is recommended for proper assembly with mattress.
Place the mattress foundation (not provided) on top.

DO NOT USE SUBSTITUTE PARTS. PLEASE CONTACT YOUR RETAIL STORE OR WWW.ROOMSTOGO.COM
WITH SERVICE OR PARTS REPLACEMENT REQUEST.

This product is manufactured by (JSFC) for **ROOMS TO GO® | KIDS**