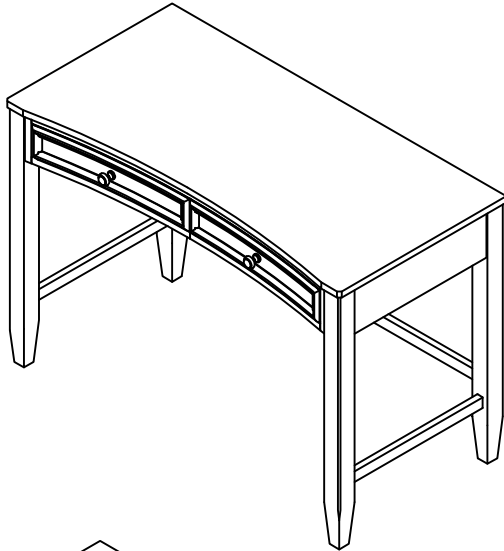




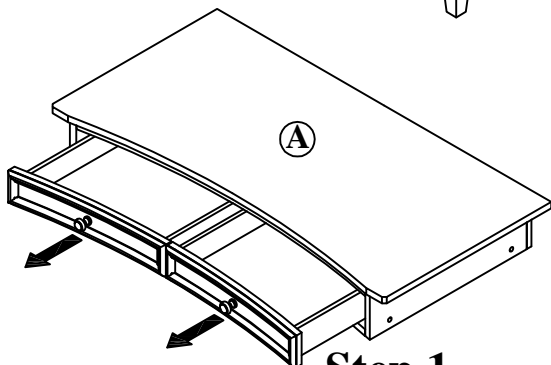
ASSEMBLY INSTRUCTION SKETCH

INRM - 34444000 - #400 - 311 VANITY / WRITING DESK

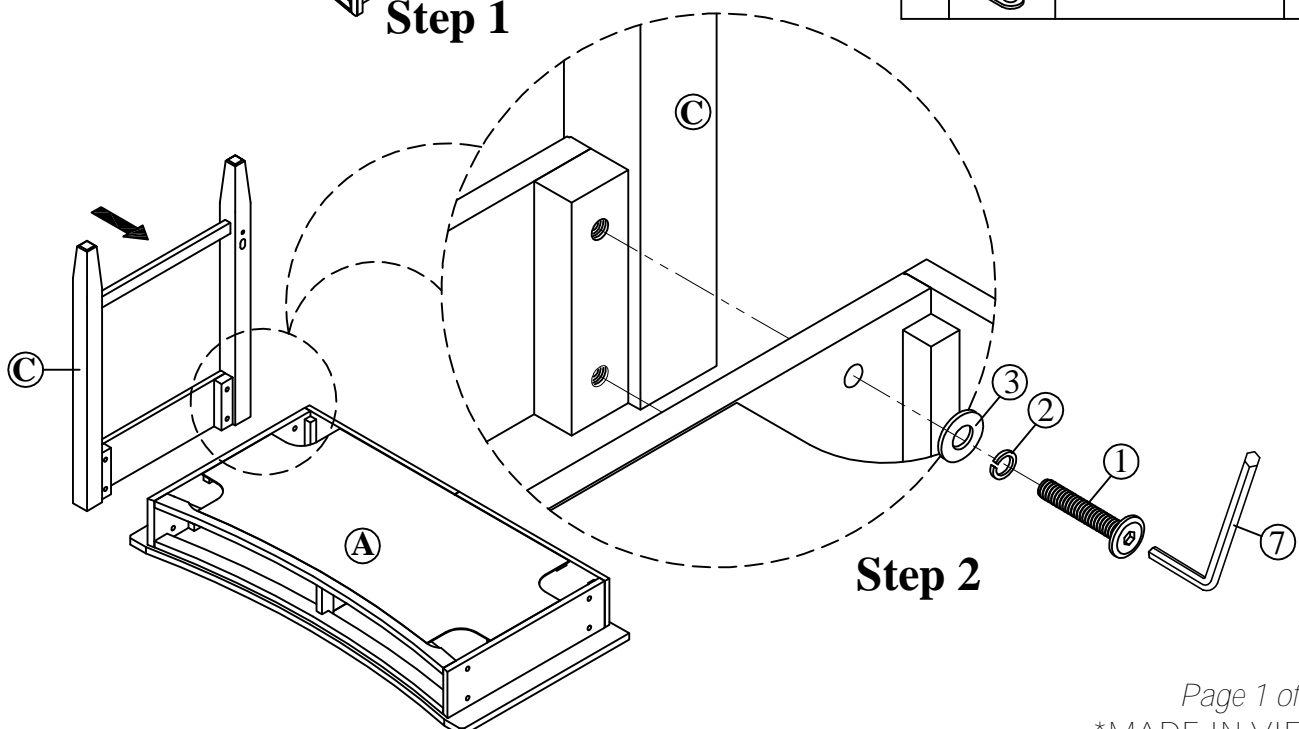
Thank you for purchasing this quality product . Be sure to check all packing material carefully for small parts which may have come loose inside the carton during shipment . Identify and count all parts and compare with the parts list below .



PARTS LIST			QTY
A	Top		1pc
B	Left frame		1pc
C	Right frame		1pc
D	Stretcher		1pc



HARDWARE LIST			QTY
1		f5/16"x18x1-3/4" Bolt	8pcs
2		f5/16"x14mm	8pcs
3		f5/16"x18mm	8pcs
4		f1/4"x20x5/8" Bolt	4pcs
5		f1/4"x11mm	4pcs
6		f1/4"x18mm	4pcs
7		4mm	1pc
8		"L" metal	2pcs





ASSEMBLY INSTRUCTION SKETCH

INRM - 34444000 - #400 - 311 VANITY / WRITING DESK

Thank you for purchasing this quality product . Be sure to check all packing material carefully for small parts which may have come loose inside the carton during shipment . Identify and count all parts and compare with the parts list below .

