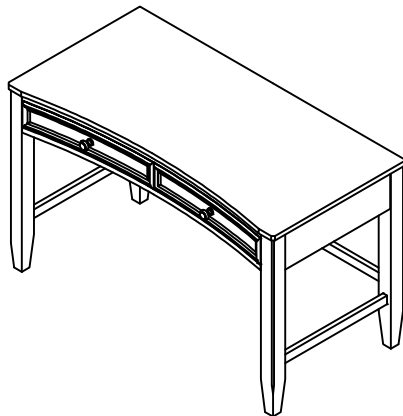




ASSEMBLY INSTRUCTION SKETCH

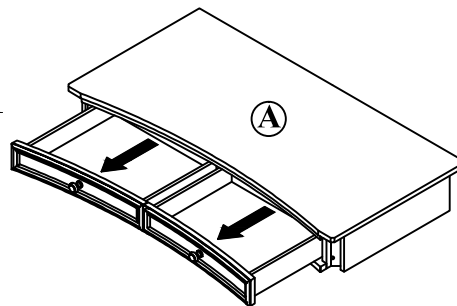
INRM - 34444000 - #400 - 311 VANITY / WRITING DESK

Thank you for purchasing this quality product . Be sure to check all packing material carefully for small parts which may have come loose inside the carton during shipment .Identify and count all parts and compare with the parts list below .



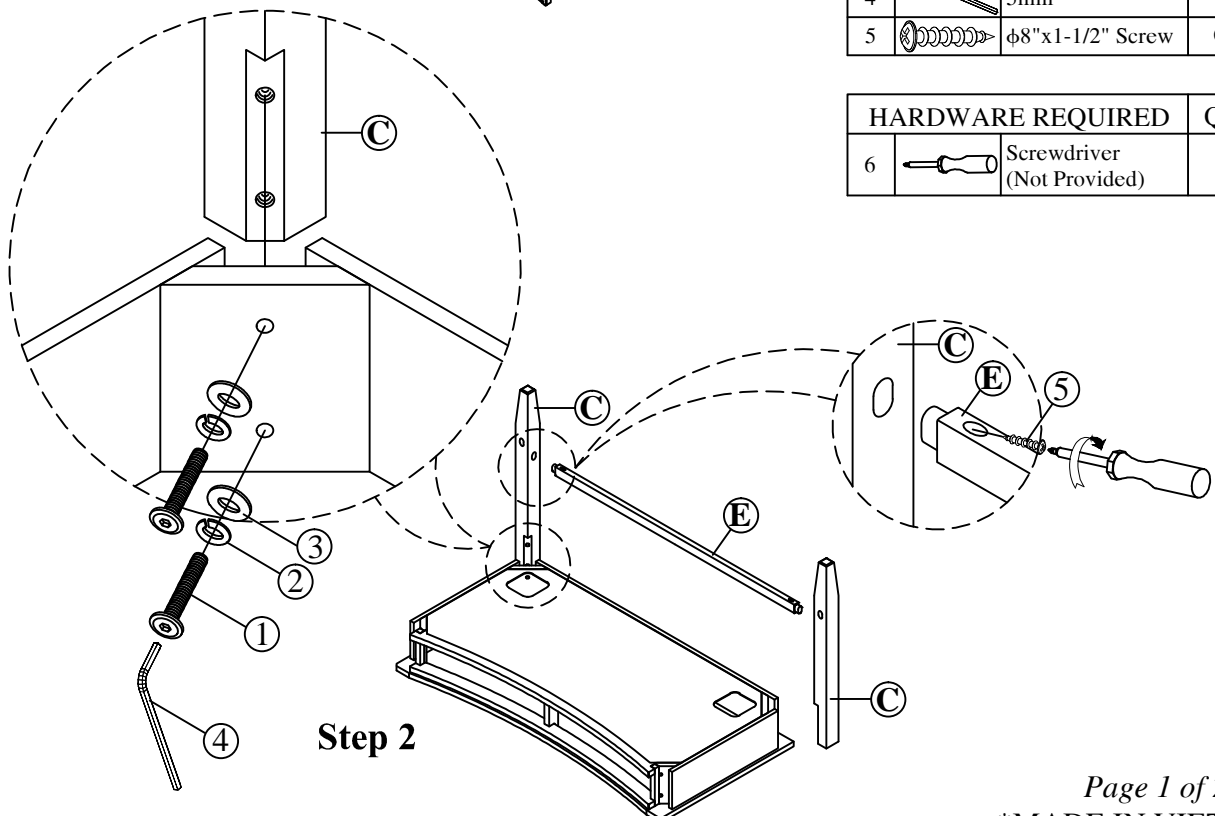
PARTS LIST			QTY
A	Top		1pc
B	Front leg		2pcs
C	Back leg		2pcs
D	Side Stretcher		2pcs
E	Back Stretcher		1pc

Step 1



HARDWARE LIST			QTY
1		φ5/16"x20x2" Bolt	8pcs
2		φ5/16"x14mm	8pcs
3		φ5/16"x18mm	8pcs
4		5mm	1pc
5		φ8"x1-1/2" Screw	6pcs

HARDWARE REQUIRED		QTY
6		Screwdriver (Not Provided) 1pc



Step 2