









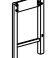
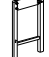

Assembly Instructions for

34460307 #600
INRM 34460105 #601 321 DESK 2 DRAWERS
34460206 #602

Thank you for purchasing this quality product. Be sure to check all packing material carefully for small parts, which may have come inside the carton during shipment. Identify and count all parts and compare with the HARDWARE LIST below.

1. We recommend that you should assemble this product with the assistance of another person; this will make assembly easier, and will help to eliminate damage to the product or injury to persons during assembly.
2. Please do not over tighten screws or bolts until the assembly is completed.
3. Please put all parts on a non - abrasive floor before assembly, and follow the assembly steps to assemble your newly purchased product correctly and efficiently.

HARDWARE LIST			
NO.	Drawing	Description	Q'TY
A		Flat Washer Ø19*2mm	8PCS
B		Lock Washer 8mm	8PCS
C		Bolt Ø1/4"*1-1/4"	8PCS
D		Bolt Ø1/4"*9/16"	4PCS
E		"L" Bracket 32*20*18*2	2PCS
F		Allen Key 4mm	1PC
G		Allen Key 4"*4mm	1PC

PARTS LIST			
No.	Description	Drawing	Q'TY
1	Desk Top		1pc
2	Side Frame Left		1pc
3	Side Frame Right		1pc
4	Back Stabilizer		1pc

