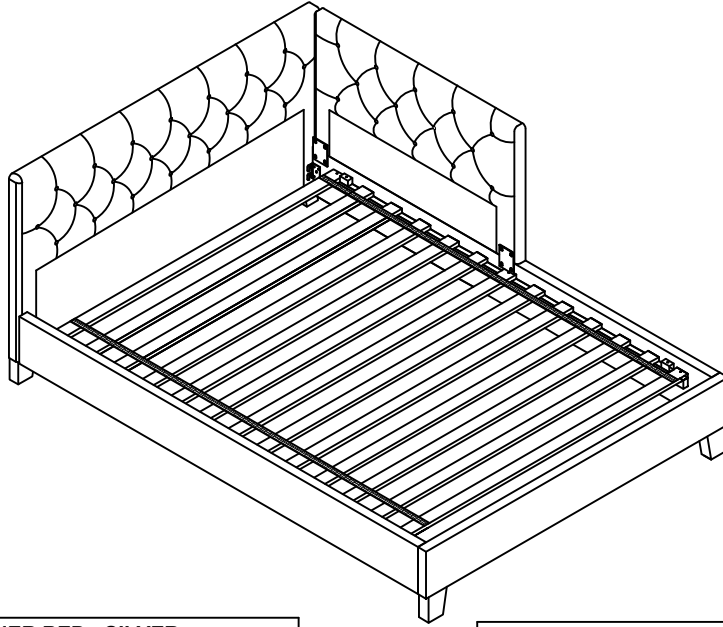


LUCIE CORNER TWIN/FULL BED



3460370P - TWIN CORNER BED - SILVER		
SKU #	ITEM#	ITEM DESCRIPTION
35103706	39SL-25HF	TWIN HDBD & CORNER SIDE
35203708	39SL-25R	TWIN FOOTBOARD , RAILS & SLATS

3440370P - TWIN CORNER BED - PINK		
SKU #	ITEM#	ITEM DESCRIPTION
35503704	37PK-25HF	TWIN HDBD & CORNER SIDE
35603706	37PK-25R	TWIN FOOTBOARD , RAILS & SLATS

3400370P - TWIN CORNER BED - CHARCOAL		
SKU #	ITEM#	ITEM DESCRIPTION
35903702	35CC-25HF	TWIN HDBD & CORNER SIDE
36003705	35CC-25R	TWIN FOOTBOARD , RAILS & SLATS

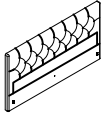
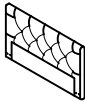
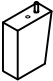
3420370P - TWIN CORNER BED - GRAY		
SKU #	ITEM#	ITEM DESCRIPTION
36303701	36GR-25HF	TWIN HDBD & CORNER SIDE
36403703	36GR-25R	TWIN FOOTBOARD , RAILS & SLATS

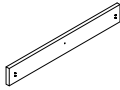
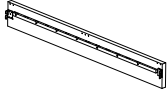
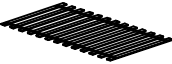
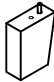
3470370P - FULL CORNER BED - SILVER		
SKU #	ITEM#	ITEM DESCRIPTION
35303700	39SL-26HF	FULL HDBD & CORNER SIDE
35403702	39SL-26R	FULL FOOTBOARD , RAILS & SLATS

3450370P - FULL CORNER BED - PINK		
SKU #	ITEM#	ITEM DESCRIPTION
35703708	37PK-26HF	FULL HDBD & CORNER SIDE
35803700	37PK-26R	FULL FOOTBOARD , RAILS & SLATS

3410370P - FULL CORNER BED - CHARCOAL		
SKU #	ITEM#	ITEM DESCRIPTION
36103707	35CC-26HF	FULL HDBD & CORNER SIDE
36203709	35CC-26R	FULL FOOTBOARD , RAILS & SLATS

3430370P - FULL CORNER BED - GRAY		
SKU #	ITEM#	ITEM DESCRIPTION
36503705	36GR-26HF	FULL HDBD & CORNER SIDE
36603707	36GR-26R	FULL FOOTBOARD , RAILS & SLATS

TWIN/FULL HEADBOARD & CONER SIDE PARTS LIST			
Code	Description	Parts	QTY
A	Headboard		1pc
B	Corner Side		1pc
F	Leg		2pcs




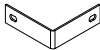


TWIN/FULL FOOTBOARD, RAILS & SLATS PARTS LIST			
Code	Description	Parts	QTY
C	Footboard		1pc
D	Bed Rail		2pcs
E	Straight Slats		1pc
F	Leg		2pcs

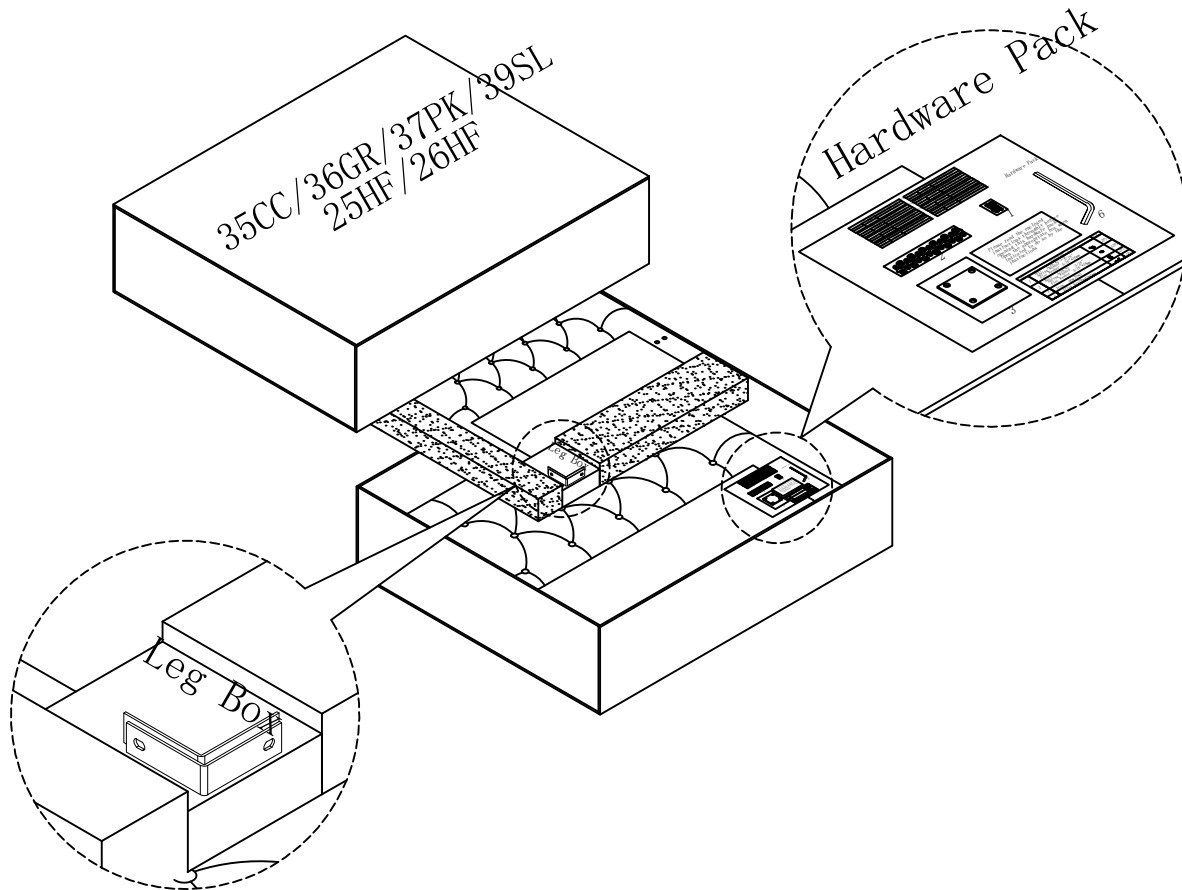
This product is manufactured by HOUS for **ROOMS TO GO | KIDS**

DO NOT USE SUBSTITUTE PARTS. PLEASE CONTACT YOUR RETAIL STORE OR www.roomstogo.com WITH SERVICE OR PARTS REPLACEMENT REQUEST

LUCIE

CORNER TWIN/FULL BED

TWIN HEADBOARD, CONER SIDE HARDWARE LIST			QTY
1	Bolt $\phi 5/16''*40*2-3/8''$ Spring Washer $\phi 5/16''$ Flat Washer $\phi 5/16''*16\text{mm}$		2Pcs
2	Bolt $\phi 5/16''*17*1''$ Spring Washer $\phi 5/16''$ Flat Washer $\phi 5/16''*16\text{mm}$		12Pcs
3	Iron 90*70*3		2Pcs
4	Iron 118*118*36		2Pcs
6	Allen Key 100*40*5mm		1Pc
7	Phillips Screwdriver (Not Provided)		



Hardware Pack Location(s) :





39SL-25HF	3/3	Headboard/Corner	SKU# 35103706
39SL-26HF	4/6	Headboard/Corner	SKU# 35303700
37PK-25HF	3/3	Headboard/Corner	SKU# 35503704
37PK-26HF	4/6	Headboard/Corner	SKU# 35703708
35CC-25HF	3/3	Headboard/Corner	SKU# 35903702
35CC-26HF	4/6	Headboard/Corner	SKU# 36103707
36GR-25HF	3/3	Headboard/Corner	SKU# 36303701
36GR-26HF	4/6	Headboard/Corner	SKU# 36503705

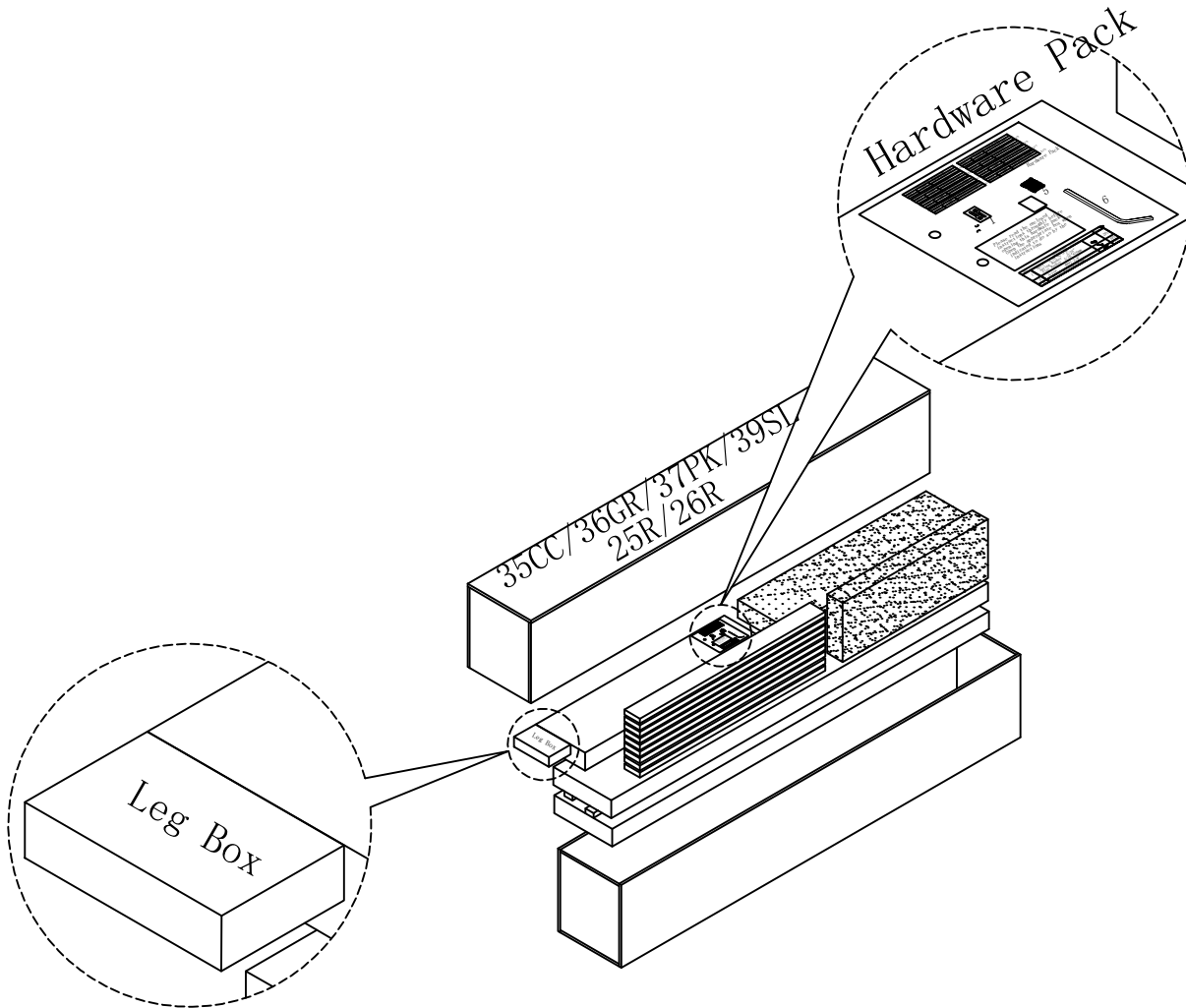
This product is manufactured by HOUS for **ROOMS TO GO | KIDS**

DO NOT USE SUBSTITUTE PARTS. PLEASE CONTACT YOUR RETAIL STORE OR www.roomstogo.com
WITH SERVICE OR PARTS REPLACEMENT REQUEST

LUCIE

CORNER TWIN/FULL BED

TWIN/FULL FOOTBOARD, RAILS & SLATS HARDWARE LIST			QTY
1	Bolt $\phi 5/16''*40*2-3/8''$ Spring Washer $\phi 5/16''$ Flat Washer $\phi 5/16''*16\text{mm}$		2Pcs
5	Screw #8*1-3/8''		6Pcs
6	Allen Key 100*40*5mm		1Pc
7	Phillips Screwdriver (Not Provided)		



Hardware Pack Location(s) :

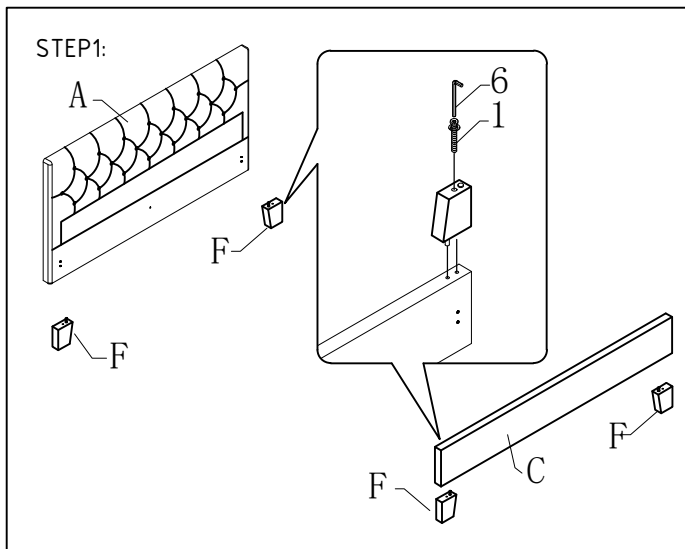
39SL-25R	3/3	FOOTBOARD/RAILS	SKU# 35203708
39SL-26R	4/6	FOOTBOARD/RAILS	SKU# 35403702
37PK-25R	3/3	FOOTBOARD/RAILS	SKU# 35603706
37PK-26R	4/6	FOOTBOARD/RAILS	SKU# 35803700
35CC-25R	3/3	FOOTBOARD/RAILS	SKU# 36003705
35CC-26R	4/6	FOOTBOARD/RAILS	SKU# 36203709
36GR-25R	3/3	FOOTBOARD/RAILS	SKU# 36403703
36GR-26R	4/6	FOOTBOARD/RAILS	SKU# 36603707

This product is manufactured by HOUS for **ROOMS TO GO | KIDS**

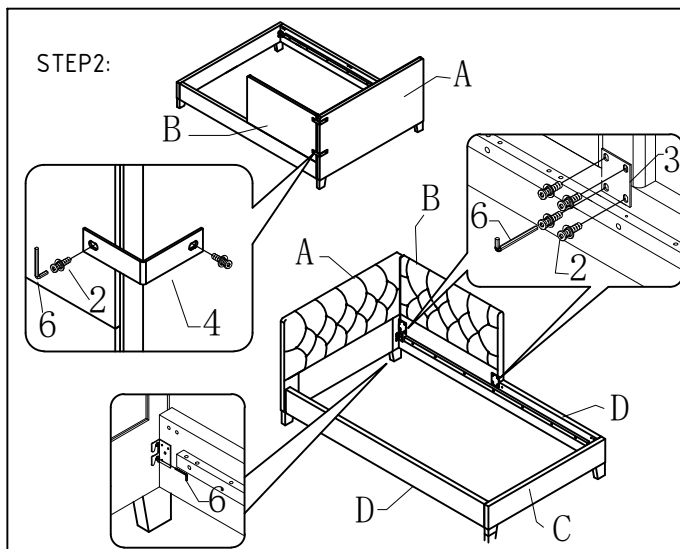
DO NOT USE SUBSTITUTE PARTS. PLEASE CONTACT YOUR RETAIL STORE OR www.roomstogo.com
WITH SERVICE OR PARTS REPLACEMENT REQUEST

ASSEMBLY INSTRUCTION

***Caution: Please read all instructions carefully before starting the assembly process. These parts are cumbersome and heavy. Therefore, two people are recommended in order to prevent personal injury and insure the parts are not damaged during the assembly.

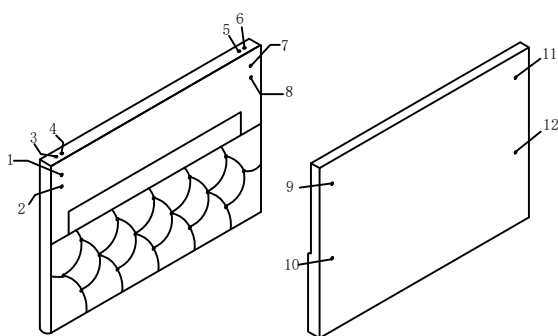


Attach the legs(F) to headboard(A) and Footboard(C) as shown, tighten use bolt(1) and allen key(6).

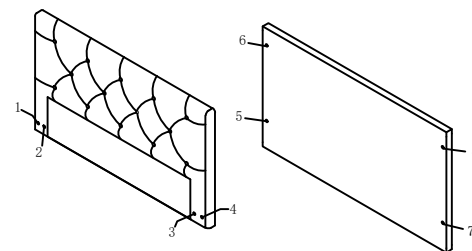


- ①. Loosen bolts on Headboard(A) and Footboard(C) with allen key(6), place bed rails(D) into position, Tighten bolts on head & footboard with allen key(6).
- ②. Attach corner side(B) to headboard(A) as shown, tighten use bolt(2), iron(3), iron(4) and allen key(6).

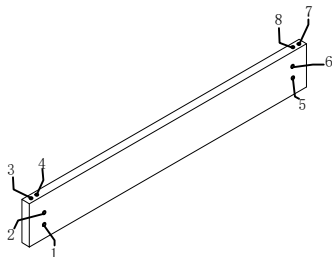
A. Headboard



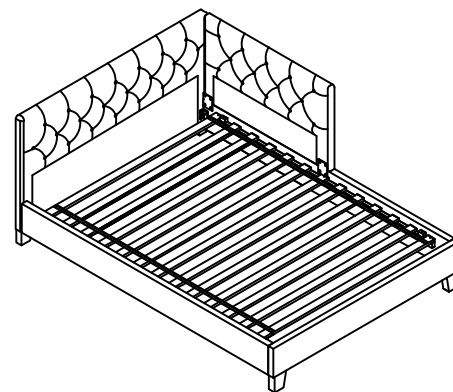
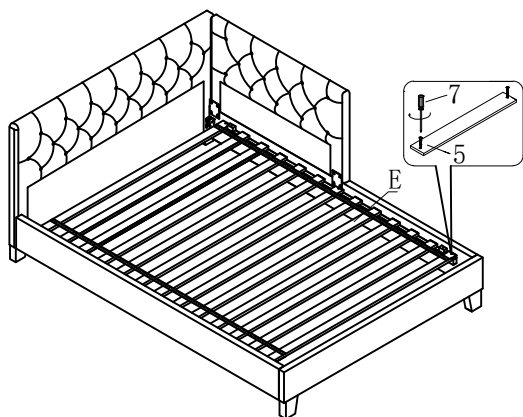
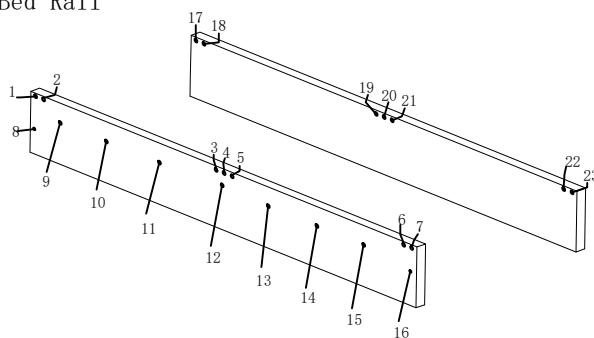
B. Corner Side



C. Footboard



D. Bed Rail



This product is manufactured by HOUS for **ROOMSTOGO | KIDS**

DO NOT USE SUBSTITUTE PARTS. PLEASE CONTACT YOUR RETAIL STORE OR www.roomstogo.com

WITH SERVICE OR PARTS REPLACEMENT REQUEST