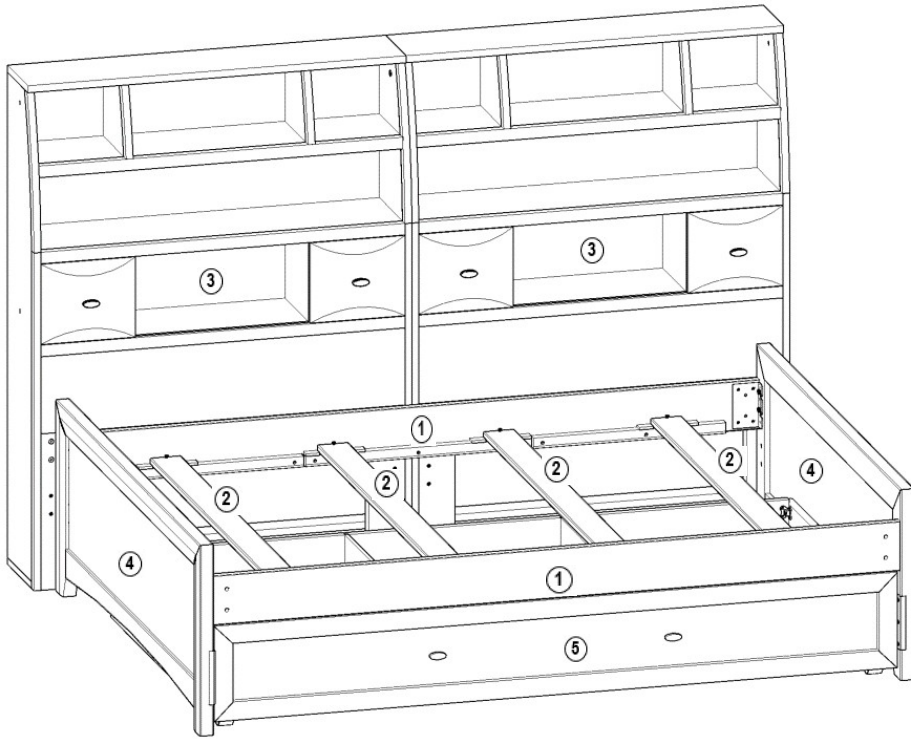



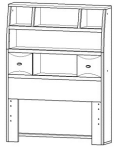



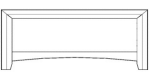


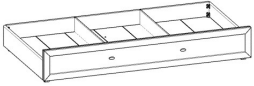

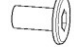
# PARTS LIST



3452360P FULL BOOKCASE WALL BED WALNUT		
RTG SKU #	STYLE #	ITEM DESCRIPTION
32723608	3260812	TWIN BOOKCASE HEADBOARD
32723608	3260812	TWIN BOOKCASE HEADBOARD
35123607	3260815	FULL FOOTBOARD
35123607	3260815	FULL FOOTBOARD
35223609	3260771	2 PC. SIDE RAILS
38100234	100-646	FULL SLAT PACK (4)
35323601	3260744	TRUNDLE BED <b>OPTIONAL</b>

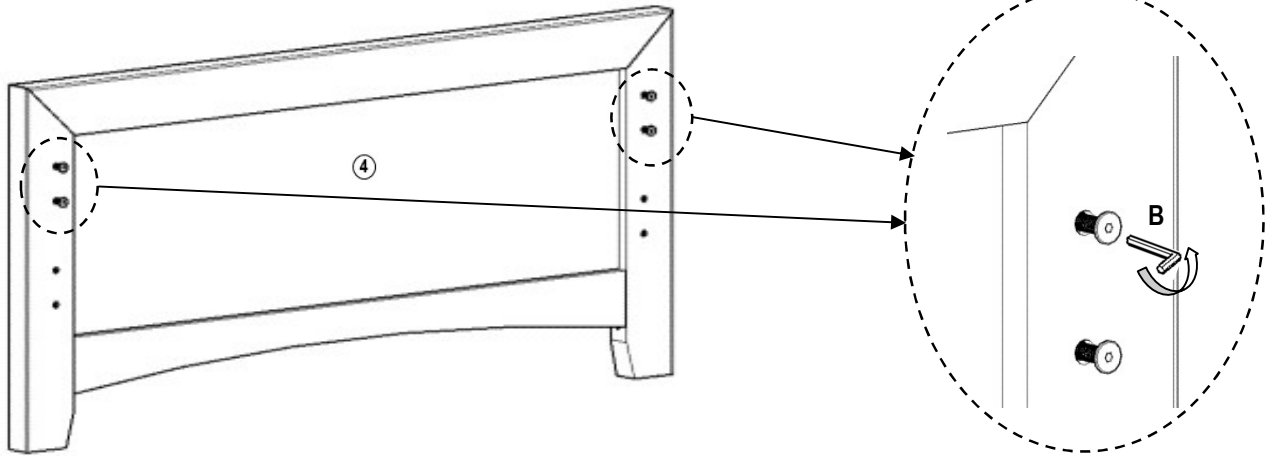
3451326P FULL BOOKCASE WALL BED WHITE		
RTG SKU #	STYLE #	ITEM DESCRIPTION
34713265	3261812	TWIN BOOKCASE HEADBOARD
34713265	3261812	TWIN BOOKCASE HEADBOARD
35113264	3261815	FULL FOOTBOARD
35113264	3261815	FULL FOOTBOARD
35213266	3261771	2 PC. SIDE RAILS
38100234	100-646	FULL SLAT PACK (4)
35313268	3261744	TRUNDLE BED <b>OPTIONAL</b>

**WARNING:**  
THE BED SLATS WILL NOT SUPPORT A MATTRESS ALONE, THIS BED REQUIRES A BOX SPRING OR BUNKIE BOARD. SOLD SEPARATELY

PARTS LIST		QTY	PARTS LIST		QTY	HARDWARE LIST		QTY	TOOLS NEEDED	
1	 Side rails	2 Pcs	3	 Twin bookcase headboard	2 Pc	A	 1 1/4" Screws	8 Pcs	Phillips screwdriver (not included) 	
2	 Full slats	4 Pcs	4	 Full footboard	2 Pc	B	 Allen wrench	1 Pc	Allen wrench (included) 	
			5	 Trundle bed (Optional)	1 Pc	C	 30mm connector	2 Pcs		
						D	 17mm cup nut	2 Pc		

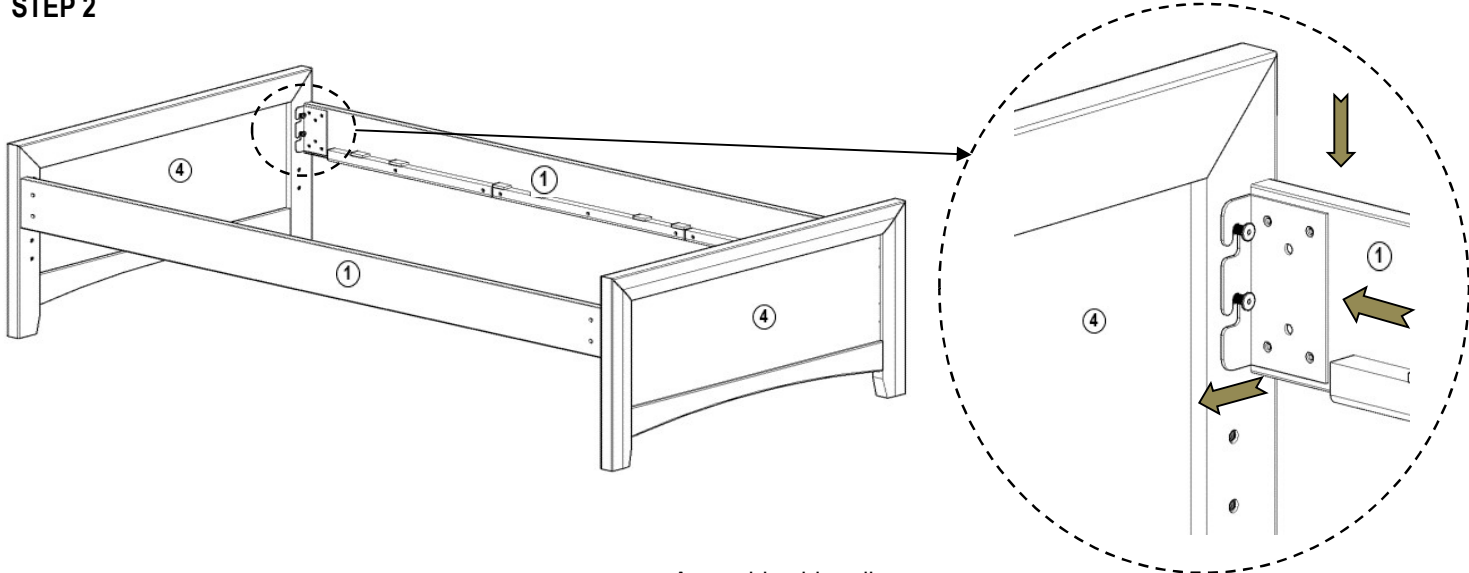
# ASSEMBLY INSTRUCTIONS

## STEP 1



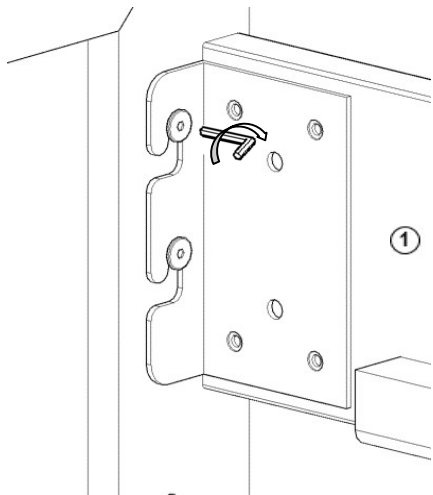
Loosen bolts in footboard posts (1/4" approx.) do not remove, BOLTS ARE PRE-ASSEMBLED.

## STEP 2



Assemble side rails

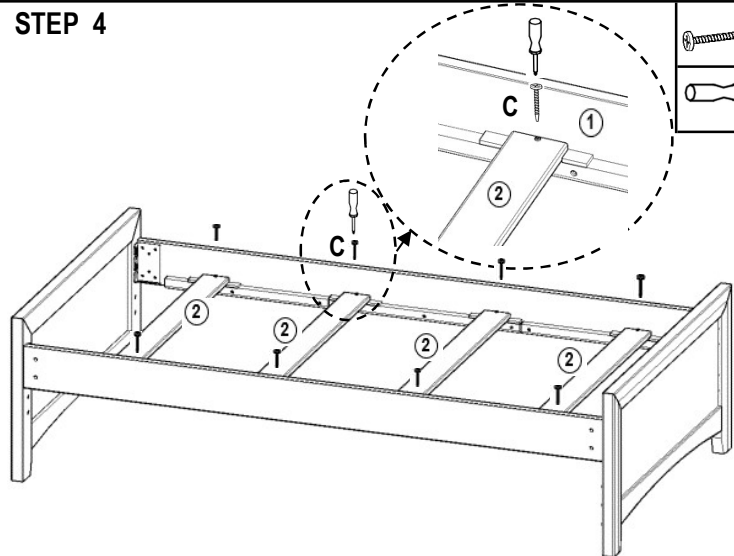
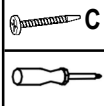
## STEP 3



tighten all bolts

**MAKE SURE ALL BOLTS ARE TIGHTENED COMPLETELY**

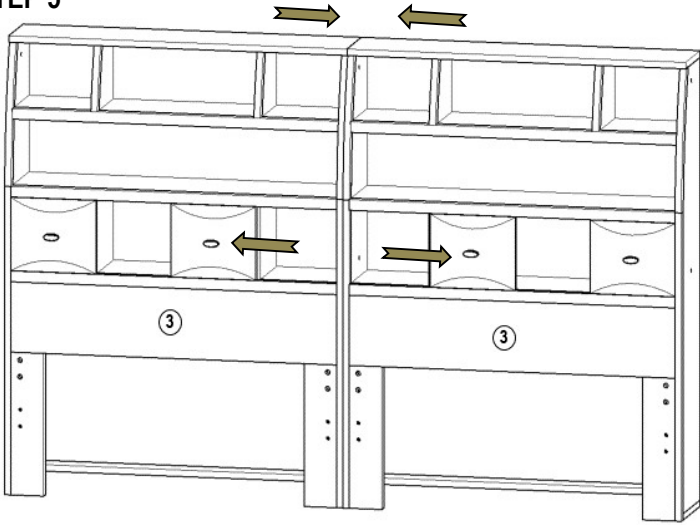
## STEP 4



Install slats, one on each space between the small blocks, then fasten with 1 1/4" screws.

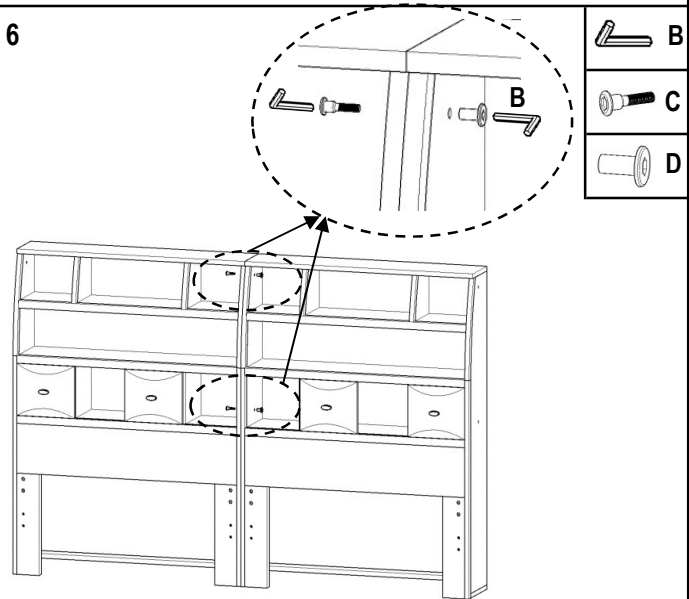
# ASSEMBLY INSTRUCTIONS

## STEP 5



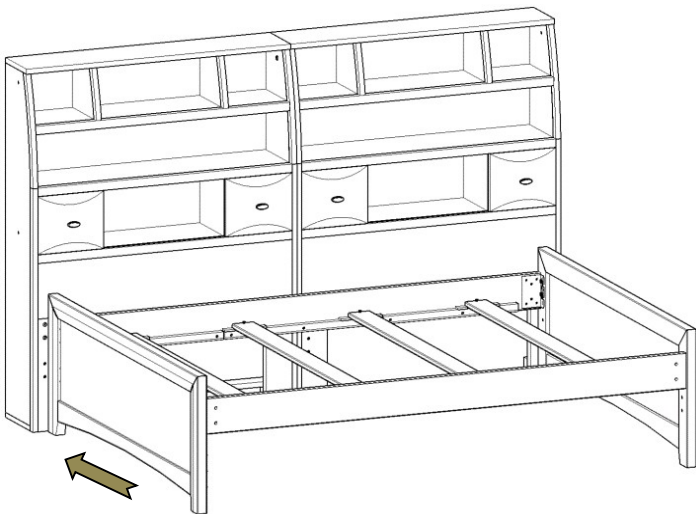
Place both headboards next to each other then slide doors to center.

## STEP 6



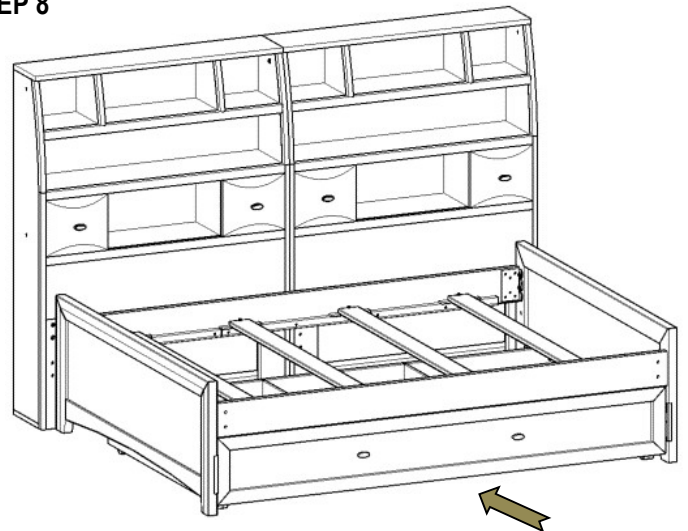
Fasten both headboards as shown.

## STEP 7



Place all pieces in the room's desired position

## STEP 8



For optional Trundle bed follow assembly instructions inside Trundle bed box, then slide under the bed as shown.