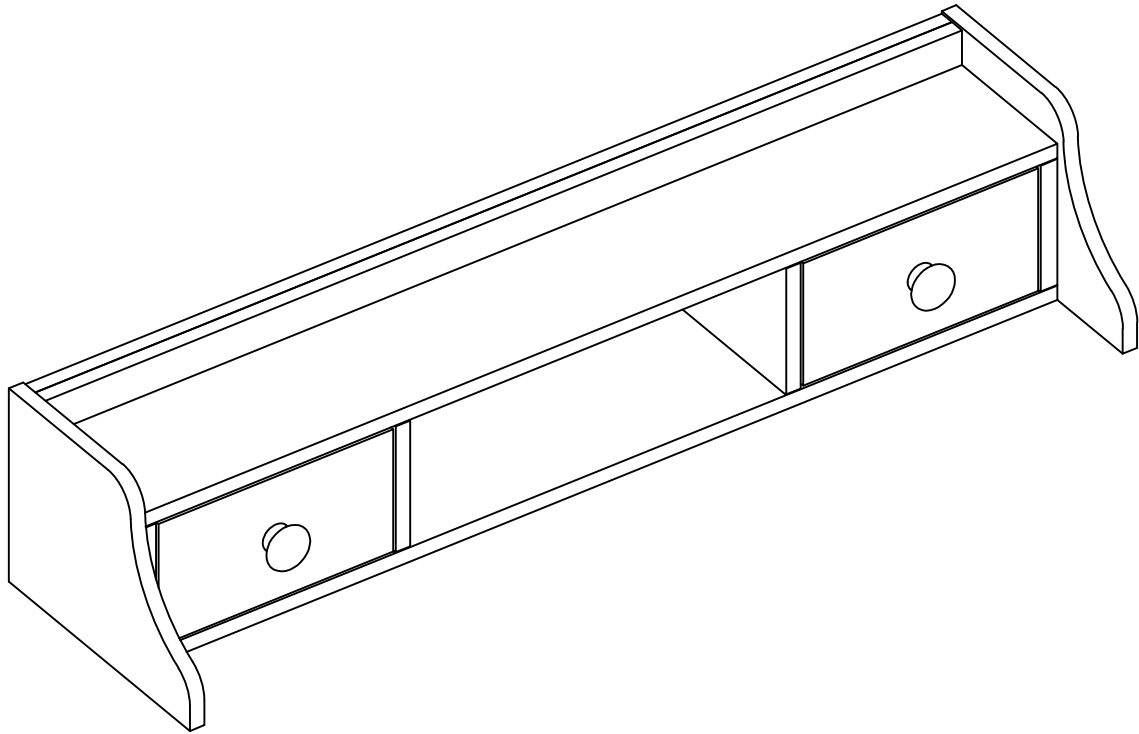


# SOUTH BEND

## 2-DRAWER HUTCH WITH POWER STRIP



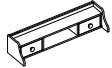




RTG SKU#	STYLE#	COLOR	ITEM DESCRIPTION
34527501	275 - 534	Cherry	2-Drawer Hutch with Power Strip
34529505	295 - 534	White	2-Drawer Hutch with Power Strip



DO NOT USE SUBSTITUTE PARTS.  
PLEASE CONTACT YOUR RETAIL STORE OR [WWW.ROOMSTOGO.COM](http://WWW.ROOMSTOGO.COM) WITH SERVICE OR PARTS  
REPLACEMENT REQUEST

This product is manufactured by INRM for **ROOMS TO GO | KIDS™**

# SOUTH BEND

## 2-DRAWER HUTCH WITH POWER STRIP

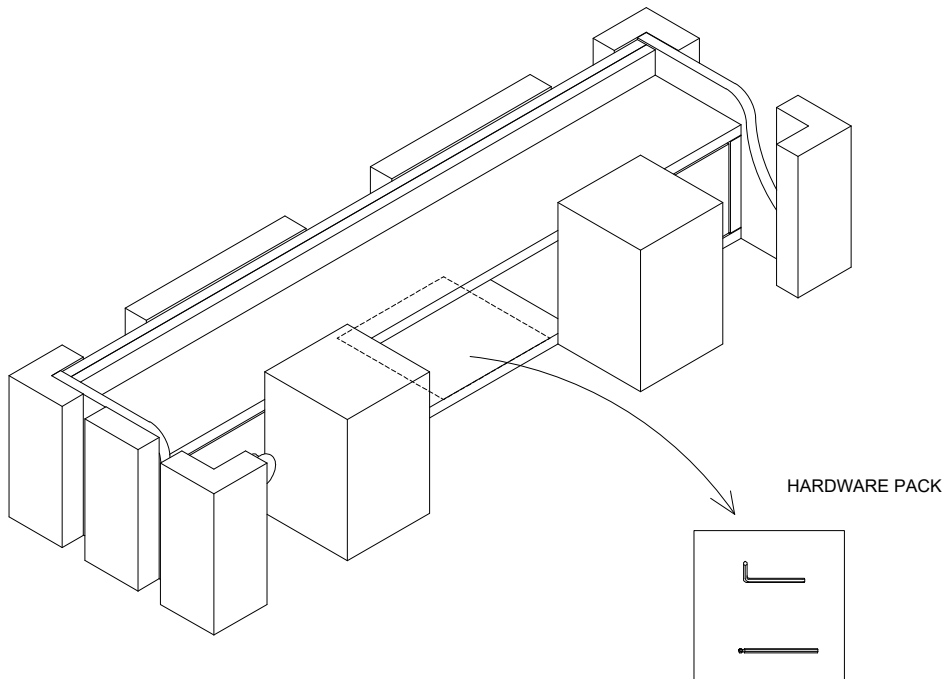
PART LIST			
NO.	ITEM DESCRIPTION	IMAGE	Q'TY
A	2-Drawer Hutch with Power Strip		1PC
B	Hutch brackets with 2 pre-installed bolts		2PCS
C	3 Drawer Desk (Sold separately)		1PC
D	8-Drawer Chesser (Sold separately)		1PC
E	6-Drawer Dresser (Sold separately)		1PC

HARDWARE LIST			
NO.	ITEM DESCRIPTION	IMAGE	Q'TY
1	Allen Wrench 4*80mm		1PC
2	Allen Key 4*100mm		1PC

Remark:  
In case of using the drilling machines for the assembling, please use the Allen Key (2) to replace Allen Wrench (1).

### Hardware pack location

RTG SKU#	STYLE#	COLOR	DESCRIPTION
34527501	275-534	Cherry	2-Drawer Hutch with Power Strip
34529505	295-534	White	2-Drawer Hutch with Power Strip



**DO NOT USE SUBSTITUTE PARTS.**  
PLEASE CONTACT YOUR RETAIL STORE OR [WWW.ROOMSTOGO.COM](http://WWW.ROOMSTOGO.COM) WITH SERVICE OR PARTS REPLACEMENT REQUEST

This product is manufactured by INRM for **ROOMS TO GO | KIDS™**

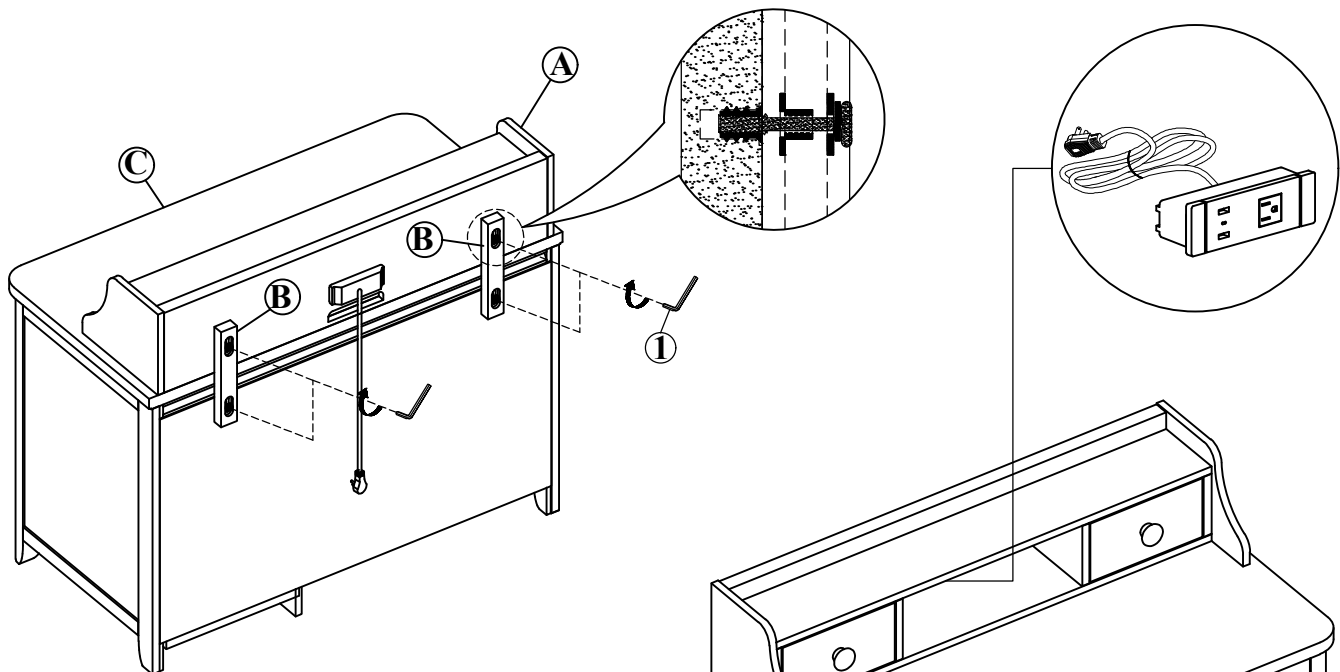
# SOUTH BEND

## 2-DRAWER HUTCH WITH POWER STRIP

Thank you for purchasing this quality product. Be sure to check all packing material carefully for small parts which may have come loose inside the carton during shipment. Identify and count all parts and compare with the parts list below. Read all instructions before assembling and keep these instructions for future reference.

### Assembly Instructions:

#### OPTION 1: Assemble 2-Drawer Hutch with Power Strip with 3 Drawer Desk



Step 1: Fully tighten 4pcs bolts on the hutch brackets to attach Hutch to 3 Drawer Desk

Step 2: Completed

DO NOT USE SUBSTITUTE PARTS.  
PLEASE CONTACT YOUR RETAIL STORE OR [WWW.ROOMSTOGO.COM](http://WWW.ROOMSTOGO.COM) WITH SERVICE OR PARTS  
REPLACEMENT REQUEST

This product is manufactured by INRM for **ROOMS TO GO | KIDS™**

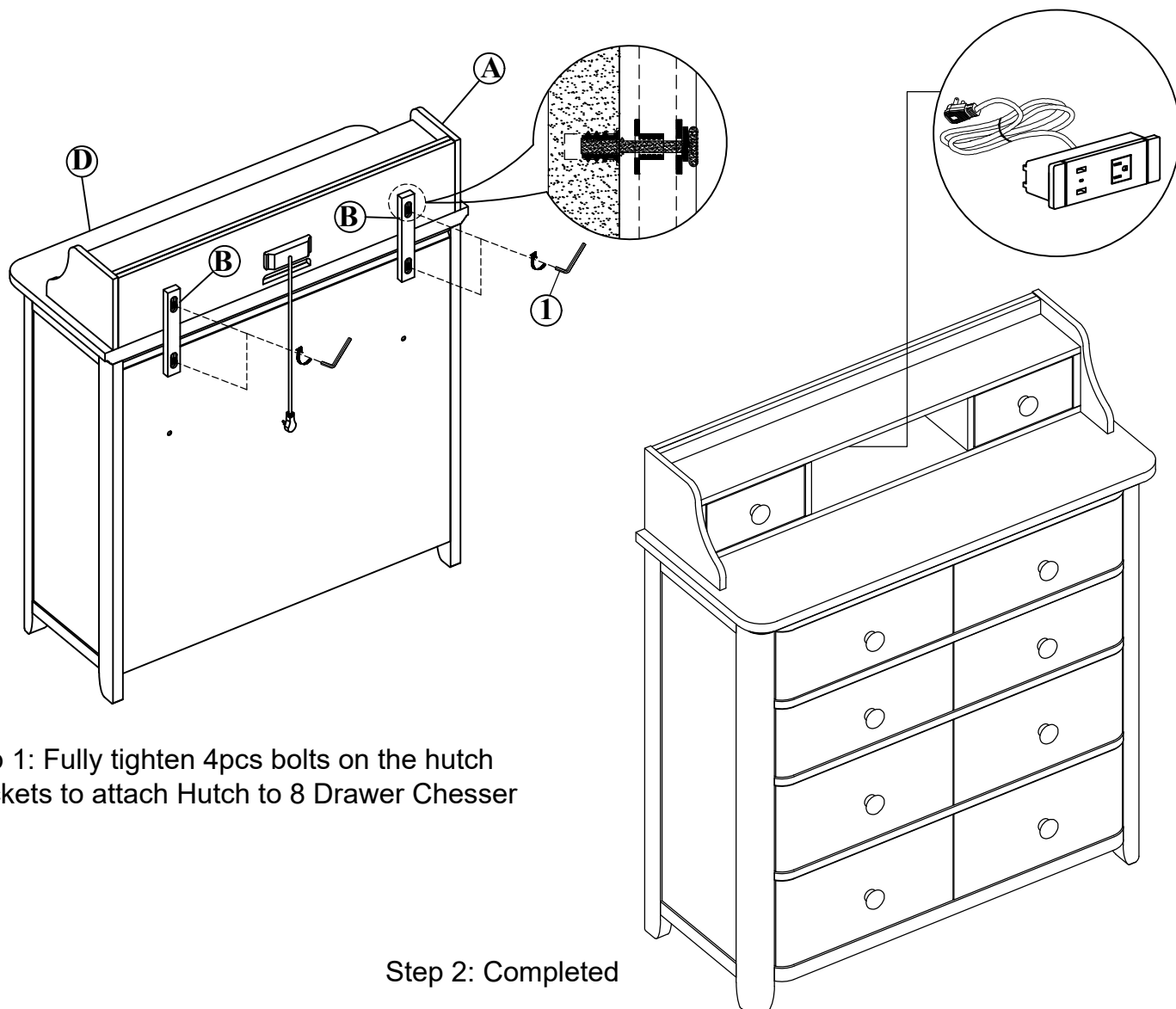
# SOUTH BEND

## 2-DRAWER HUTCH WITH POWER STRIP

Thank you for purchasing this quality product. Be sure to check all packing material carefully for small parts which may have come loose inside the carton during shipment. Identify and count all parts and compare with the parts list below. Read all instructions before assembling and keep these instructions for future reference.

### Assembly Instructions:

#### OPTION 2: Assemble 2-Drawer Hutch with Power Strip with 8-Drawer Chesser



Step 1: Fully tighten 4pcs bolts on the hutch brackets to attach Hutch to 8 Drawer Chesser

Step 2: Completed

DO NOT USE SUBSTITUTE PARTS.  
PLEASE CONTACT YOUR RETAIL STORE OR [WWW.ROOMSTOGO.COM](http://WWW.ROOMSTOGO.COM) WITH SERVICE OR PARTS REPLACEMENT REQUEST

This product is manufactured by INRM for **ROOMS TO GO | KIDS™**

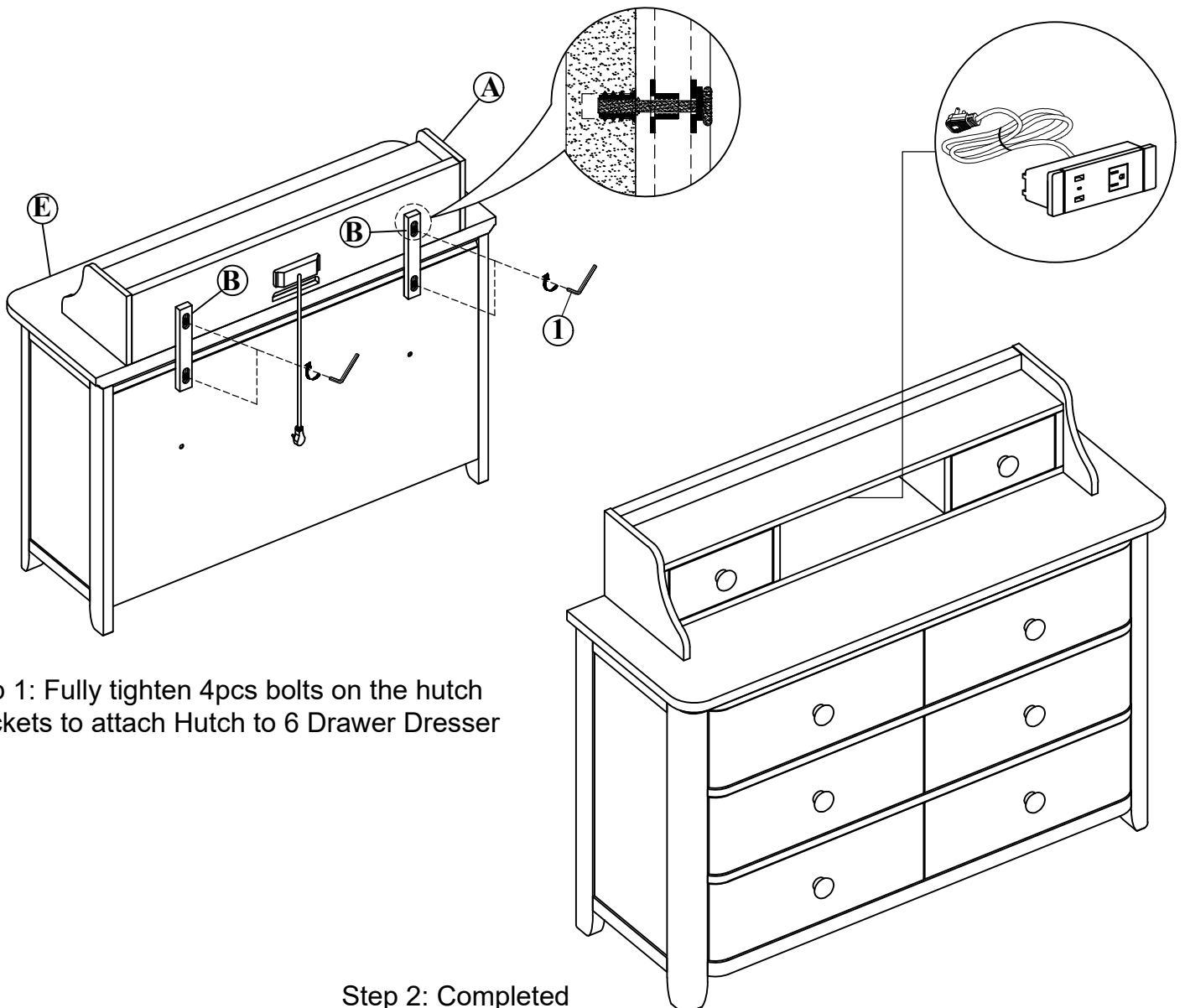
# SOUTH BEND

## 2-DRAWER HUTCH WITH POWER STRIP

Thank you for purchasing this quality product. Be sure to check all packing material carefully for small parts which may have come loose inside the carton during shipment. Identify and count all parts and compare with the parts list below. Read all instructions before assembling and keep these instructions for future reference.

### Assembly Instructions:

#### OPTION 3: Assemble 2-Drawer Hutch with Power Strip with 6-Drawer Dresser



Step 1: Fully tighten 4pcs bolts on the hutch brackets to attach Hutch to 6 Drawer Dresser

Step 2: Completed

DO NOT USE SUBSTITUTE PARTS.  
PLEASE CONTACT YOUR RETAIL STORE OR [WWW.ROOMSTOGO.COM](http://WWW.ROOMSTOGO.COM) WITH SERVICE OR PARTS  
REPLACEMENT REQUEST

This product is manufactured by INRM for **ROOMS TO GO | KIDS™**

# IMPORTANT SAFETY INSTRUCTIONS



## WARNING

**Misuse can result in FIRE or DEATH by ELECTRICAL SHOCK**

125 VOLTS AC / 12 AMPERES/1500WATTS  
MIÉZO INC.  
PDU-121-00B & PDU-121-00P

### **Read all instructions before using this furnishing.**

#### **DANGER – To reduce the risk of electric shock:**

- Always unplug this furnishing from the electrical outlet before cleaning or servicing.

#### **WARNING – To reduce the risk of burns, fire, electric shock, or injury to persons:**

- Unplug from outlet before putting on or taking off parts.
- Never operate this furnishing if it has a damaged electrical cord or plug, if it is not working properly, or if the electrical cord or plug has been damaged or dropped into water. Stop using this furnishing and call a service center for examination and repair.
- Keep the electrical cord and plug away from heated surfaces and other heat sources.
- To disconnect, turn all controls to the off position, then remove plug from outlet.
- When operating, ensure that electrical cord is not under the base, legs, or motion mechanism to avoid damage to electrical cord or plug.
- Do not strain or stretch electrical cord.
- Do not use extension cords or power strips.
- Keep out of reach of children. This is not a toy.
- Plug directly into a compatible electrical socket.
- Do not modify the plug or use any adapters.

# INSTRUCCIONES DE SEGURIDAD IMPORANTES



## WARNING

**El mal uso puede provocar INCENDIO o MUERTE por DESCARGA ELÉCTRICA**

125 VOLTS AC / 12 AMPERES/1500WATTS  
MIÉZO INC.  
PDU-121-00B & PDU-121-00P

**Leer todas las instrucciones antes de usar este mobiliario.**

**Leer todas las instrucciones antes de usar este mobiliario.**

- Siempre desenchufe este accesorio de la toma de corriente eléctrica antes de limpiarlo o repararlo

**ADVERTENCIA: para reducir el riesgo de quemaduras, incendios, descargas eléctricas o lesiones a personas:**

- Desenchufe del tomacorriente antes de colocar o quitar partes.
- Nunca opere este accesorio si tiene un cable o enchufe eléctrico dañado, si no funciona correctamente, o si el cable o el enchufe eléctrico se ha dañado o se ha caído al agua. Deje de usar este equipamiento y llame a un centro de servicio para que lo examinen y lo reparen.
- Mantenga el cable eléctrico y el enchufe lejos de superficies calientes y otras fuentes de calor
- Para desconectar, gire todos los controles a la posición de apagado, luego retire el enchufe del tomacorriente.
- Al operar, asegúrese de que el cable eléctrico no esté debajo de la base, las patas o el mecanismo de movimiento para evitar dañar el cable eléctrico o el enchufe.
- No fuerce ni estire el cable eléctrico.
- No utilizar cables de extensión o tomas de corriente.
- Mantener fuera del alcance de los niños. Esto no es un juguete
- Enchúfelo directamente a una toma de corriente compatible.
- No modifique el enchufe ni utilice adaptadores.