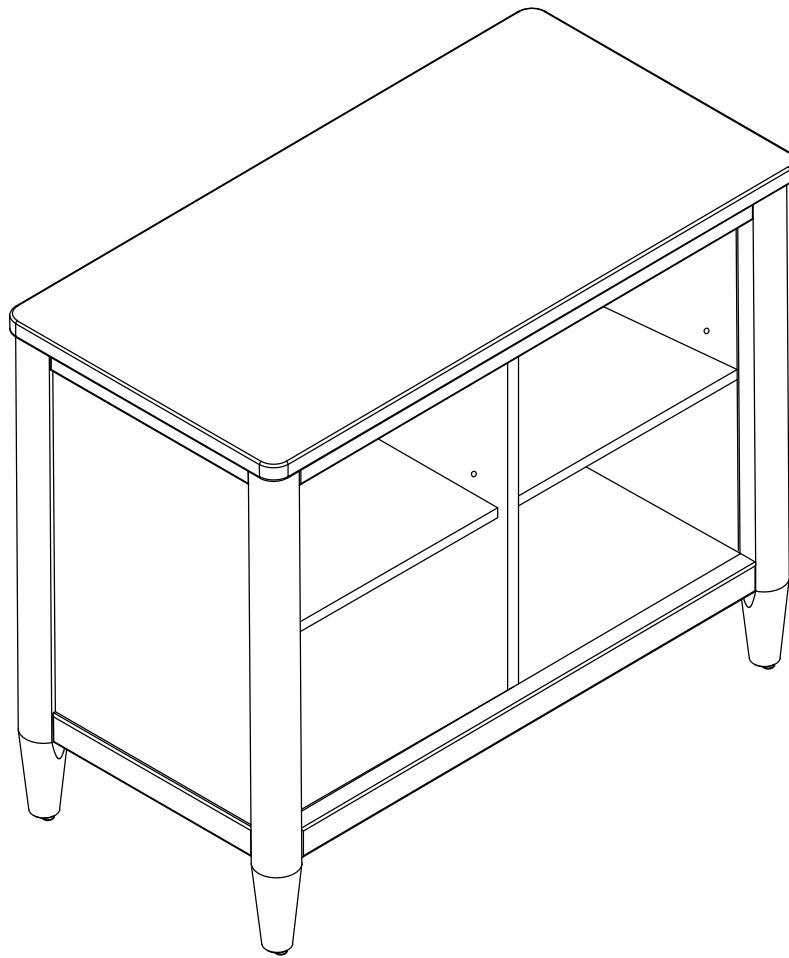


MODERN COLORS

37" BOOKCASE



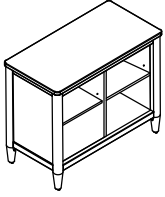

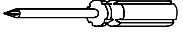

| SKU# | STYLE | COLOR | ITEM DESCRIPTION |
|----------|------------|------------|------------------|
| 34542541 | 425BC37-W | WHITE | 37" BOOKCASE |
| 34542539 | 425BC37-G | LIGHT GRAY | 37" BOOKCASE |
| 34542577 | 425BC37-PK | PINK | 37" BOOKCASE |
| 34542515 | 425BC37-IO | IRON ORE | 37" BOOKCASE |
| 34542527 | 425BC37-SB | SLATE BLUE | 37" BOOKCASE |

DO NOT USE SUBSTITUTE PARTS. PLEASE CONTACT YOUR RETAIL STORE OR WWW.ROOMSTOGO.COM WITH SERVICE OR PARTS REPLACEMENT REQUEST.

This product is manufactured by (JSFC) for **ROOMS TO GO® | KIDS**

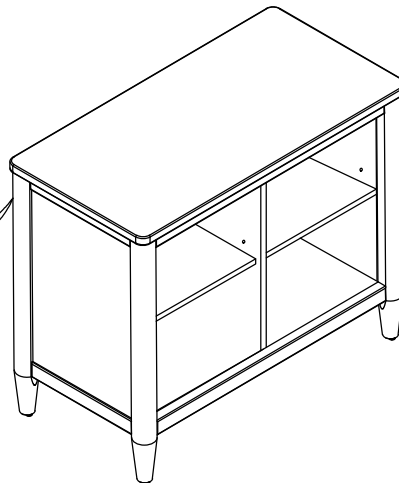
MODERN COLORS

37" BOOKCASE

| BOOKCASE PART LIST | | | | HARDWARE LIST | | | |
|--------------------|------------------|---|------|---------------|--|---|-------|
| | ITEM DESCRIPTION | IMAGE | QTY | | ITEM DESCRIPTION | IMAGE | QTY |
| A | BOOKCASE |  | 1 PC | 1 | TIPPING RESTRAINT (CUSTOMER TO ASSEMBLE) |  | 1 SET |
| | | | | 2 | PHILIPS SCREWDRIVER (NOT PROVIDED) |  | 1 PC |
| | | | | 3 | SCREW M3.5x1/2"L |  | 8 PCS |

HARDWARE PACK LOCATION

| SKU# | STYLE | COLOR | ITEM DESCRIPTION |
|----------|------------|------------|------------------|
| 34542541 | 425BC37-W | WHITE | 37" BOOKCASE |
| 34542539 | 425BC37-G | LIGHT GRAY | 37" BOOKCASE |
| 34542577 | 425BC37-PK | PINK | 37" BOOKCASE |
| 34542515 | 425BC37-IO | IRON ORE | 37" BOOKCASE |
| 34542527 | 425BC37-SB | SLATE BLUE | 37" BOOKCASE |



NOTE: ANTI-TIPPING KIT HARDWARE PACK IS LOCATED AT THE BACK OF THE PRODUCT

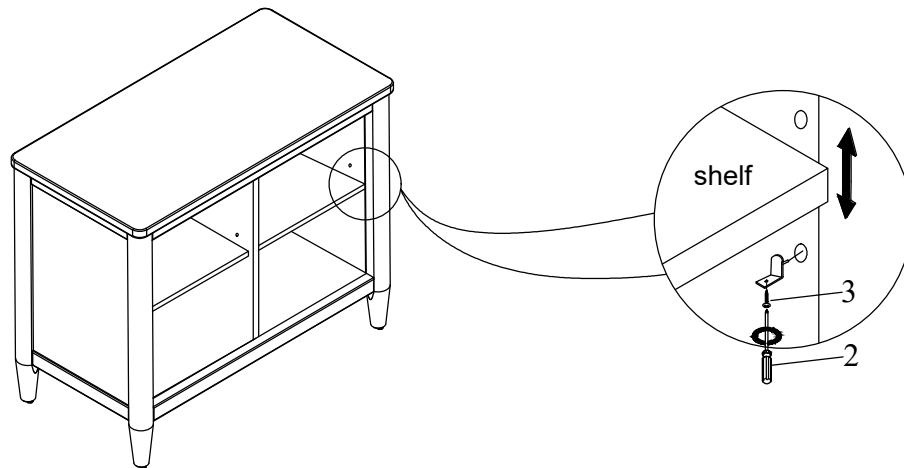
DO NOT USE SUBSTITUTE PARTS. PLEASE CONTACT YOUR RETAIL STORE OR WWW.ROOMSTOGO.COM WITH SERVICE OR PARTS REPLACEMENT REQUEST.

This product is manufactured by (JSFC) for **ROOMS TO GO® | KIDS**

Thank you for purchasing this quality product. Be sure to check all packing material carefully for small parts which may have come loose inside the carton during shipment. Identify and count all parts and compare with the parts list below. Read all instructions before assembling bed and keep these instruction for future reference.

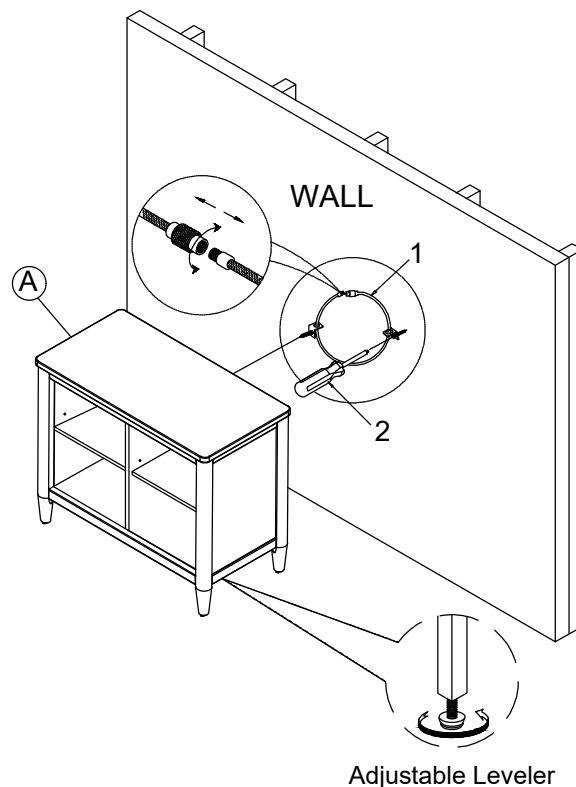
Assembly Instructions:

STEP 1



To adjust shelf position: Remove the set screw from the bottom of the shelf with screwdriver (2) (not provided). Reposition the shelf and bracket to the desired holes, align, and reinstall the screw.

STEP 2



Install Tipping Restraint (1) (Customer to Assemble) with a Philips Screwdriver (2) (Not provided) by following the assembly instructions that come in the Tipping Restraint package.

DO NOT USE SUBSTITUTE PARTS. PLEASE CONTACT YOUR RETAIL STORE OR WWW.ROOMSTOGO.COM WITH SERVICE OR PARTS REPLACEMENT REQUEST.

This product is manufactured by (JSFC) for **ROOMS TO GO® | KIDS**