

CANYON FURNITURE COMPANY

(94,95,96-787/94,95,96-788) CREEKSIDE COLLECTION SLAT BED ASSEMBLY INSTRUCTIONS

THANK YOU FOR YOUR PURCHASE !

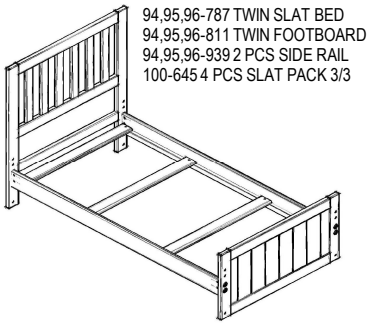
PLEASE CONTACT YOUR RETAIL STORE FOR SERVICE OR REPLACEMENT PARTS REQUEST

READ ALL THE INSTRUCTIONS AND IDENTIFY ALL COMPONENTS AND CHOOSE YOUR CONFIGURATION AND BE SURE YOU HAVE ALL PARTS

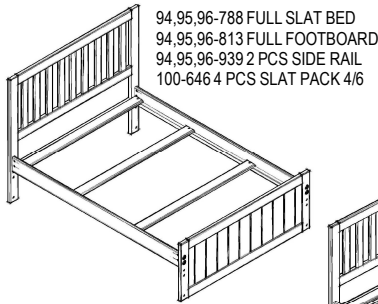
TWO PEOPLE ARE NEEDED TO ASSEMBLE.

DO NOT COMPLETELY TIGHTEN ALL BOLTS UNTIL ALL COMPONENTS ARE CONNECTED.

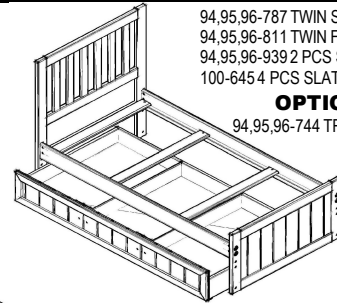
SLAT BED CONFIGURATION TYPE # 1



94,95,96-787 TWIN SLAT BED
94,95,96-811 TWIN FOOTBOARD
94,95,96-939 2 PCS SIDE RAIL
100-645 4 PCS SLAT PACK 3/3

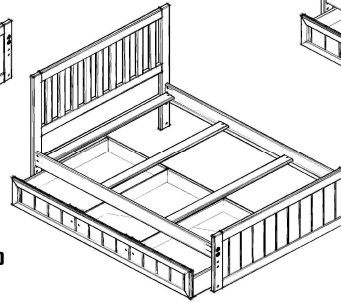


94,95,96-788 FULL SLAT BED
94,95,96-813 FULL FOOTBOARD
94,95,96-939 2 PCS SIDE RAIL
100-646 4 PCS SLAT PACK 4/6



94,95,96-787 TWIN SLAT BED
94,95,96-811 TWIN FOOTBOARD
94,95,96-939 2 PCS SIDE RAIL
100-645 4 PCS SLAT PACK 3/3

OPTIONAL
94,95,96-744 TRUNDLE BED



94,95,96-788 FULL SLAT BED
94,95,96-813 FULL FOOTBOARD
94,95,96-939 2 PCS SIDE RAIL
100-646 4 PCS SLAT PACK 4/6

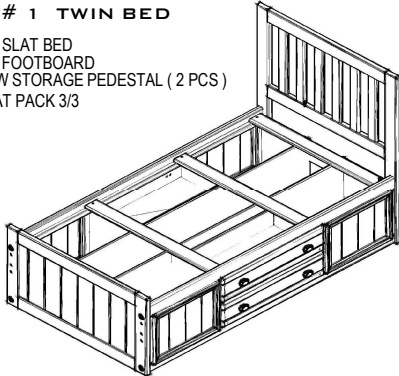
OPTIONAL
94,95,96-744 TRUNDLE BED

TO ASSEMBLE THIS SLAT BED REQUIRES TWO PERSONS

SLAT BED CONFIGURATION TYPE # 2

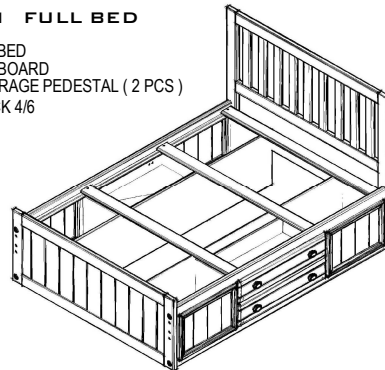
OPTION # 1 TWIN BED

94,95,96-787 TWIN SLAT BED
94,95,96-811 TWIN FOOTBOARD
94,95,96-940 2 DRW STORAGE PEDESTAL (2 PCS)
100-645 4 PCS SLAT PACK 3/3

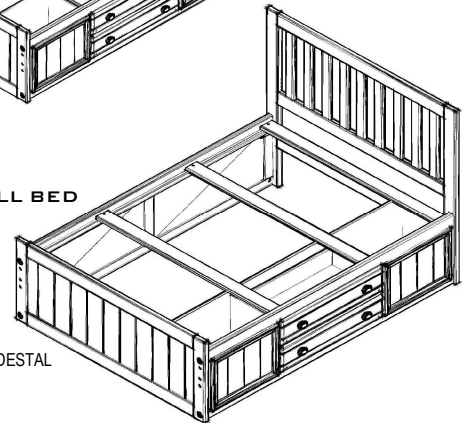


OPTION # 1 FULL BED

94,95,96-788 FULL SLAT BED
94,95,96-813 FULL FOOTBOARD
94,95,96-940 2 DRW STORAGE PEDESTAL (2 PCS)
100-646 4 PCS SLAT PACK 4/6

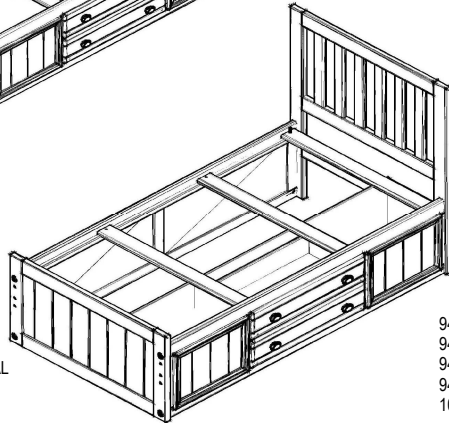


OPTION # 2 FULL BED



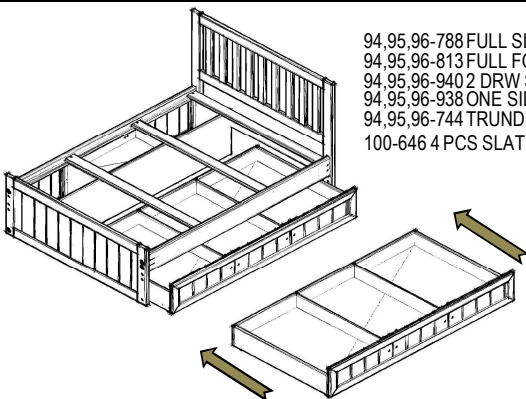
OPTION # 2 TWIN BED

94,95,96-787 TWIN SLAT BED
94,95,96-811 TWIN FOOTBOARD
94,95,96-940 2 DRW STORAGE PEDESTAL
94,95,96-937 WIDE SIDE RAIL
100-645 4 PCS SLAT PACK 3/3



94,95,96-788 FULL SLAT BED
94,95,96-813 FULL FOOTBOARD
94,95,96-940 2 DRW STORAGE PEDESTAL
94,95,96-937 WIDE SIDE RAIL
100-646 4 PCS SLAT PACK 4/6

FULL SLAT BED CONFIGURATION TYPE # 3



94,95,96-788 FULL SLAT BED
94,95,96-813 FULL FOOTBOARD
94,95,96-940 2 DRW STORAGE PEDESTAL
94,95,96-938 ONE SIDE RAIL
94,95,96-744 TRUNDLE BED
100-646 4 PCS SLAT PACK 4/6

TOOLS NEEDED

PHILIPS HEAD SCREWDRIVER (NOT INCLUDED)
5MM ALLEN WRENCH (INCLUDED)

WARNING:
THE BED SLATS WILL NO SUPPORT A MATTRESS ALONE, A SLAT PACK OR A BUNKIE BOARD IS REQUIRED FOR PROPER SAFETY. (NOT INCLUDED)

SLAT BED ASSEMBLY INSTRUCTIONS CONFIGURATION TYPE # 1

LIST OF CONTENTS
CREEKSIDE COLLECTION

SLAT BED BOX (94,95,96-787/94,95,96-788) FIG.1

A.- (1) HEADBOARD

FOOTBOARD BED BOX (94,95,96-811/94,95,96-813) FIG.2

B.- (1) FOOTBOARD

2 PCS SIDE RAIL BOX (94,95,96-939) FIG.3

C.- (2) SIDE RAILS

HARDWARE PACK (HPK00003-1)

D.- (8) 5/16" X 4" HEX TAP BOLTS WITH WASHER BLACK

E.- (8) 5/16"-18 X 5/8" CROSS DOWEL NUTS BLACK

F.- (1) 5MM ALLEN WRENCH

4 PCS SLAT PACK BOX (100-645/100-646) FIG.4

G.- (4) SLATS

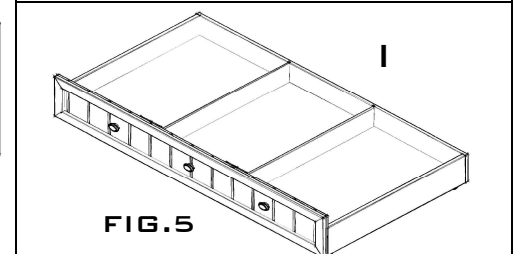
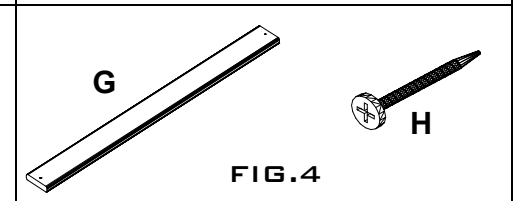
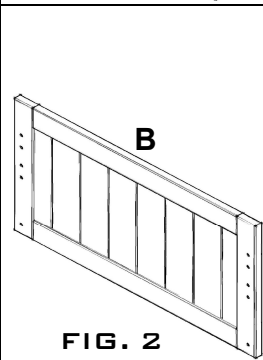
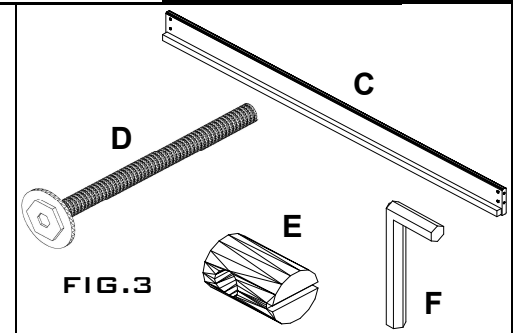
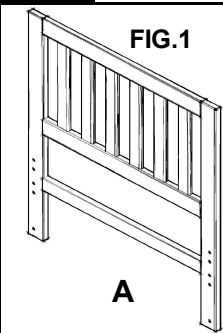
HARDWARE PACK (HPK00016-0)

H.- (8) 1 1/4" SCREWS

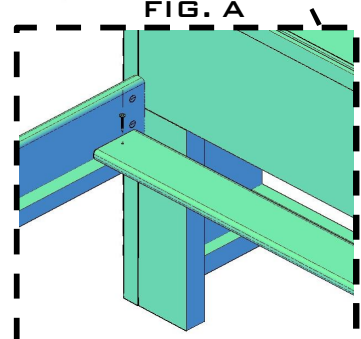
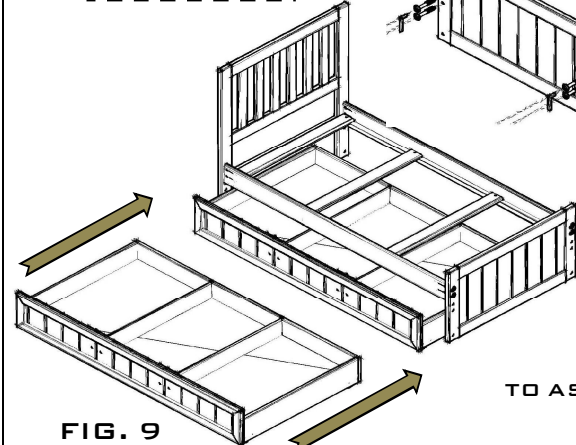
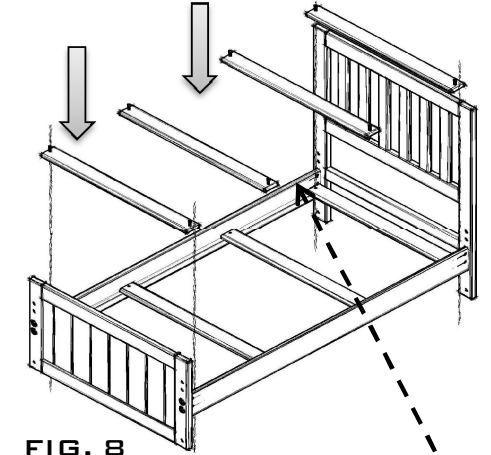
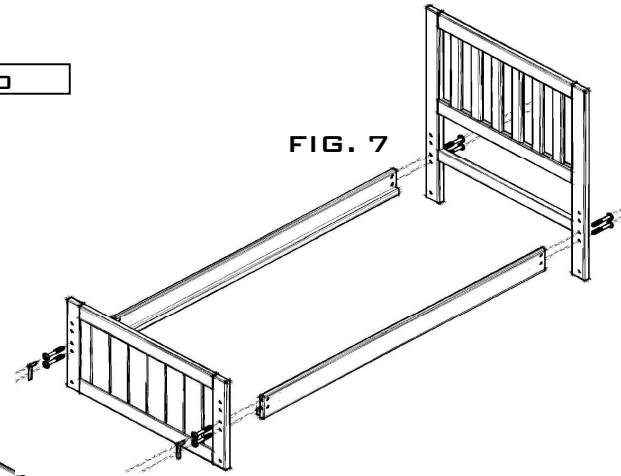
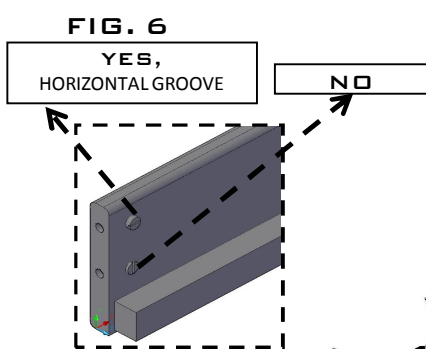
OPTIONAL

TRUNDLE BED BOX (94,95,96-744) FIG.5

I.- (1) TRUNDLE BED



- 1.- INSERT TWO CROSS DOWEL NUTS (E) IN ACCESS HOLE INSIDE THE SIDE RAIL, ALIGN THE CROSS DOWEL NUT, MAKE SURE THE GROOVE IS HORIZONTAL, **SEE FIG.6.**
- 2.- TO ASSEMBLE SLAT BED, USING ONE HEADBOARD (A), ONE FOOTBOARD (B), AND TWO SIDE RAILS (C).
- 3.- ATTACH TWO SIDE RAILS (C) TO THE HDBD & FTBD, INSERTING TWO HEX BOLTS WITH WASHER BLACK (D) INTO THE HDBD & FTBD HOLES, USE THE 5MM ALLEN WRENCH (F) TO TIGHTEN BOTH HEX BOLTS, **SEE FIG.7**
- 4.- REPEAT PROCESS ON ALL FOUR CORNERS.
- 5.- PLACE FOUR SLATS (G) ON SIDE RAIL CLEATS, ONE SLAT IN BOTH HEADBOARD & FOOTBOARD ENDS, PUSH THE SLAT AGAINST THE BED END POST (FIG. A), AND TWO SLATS IN THE MIDDLE AT EQUAL DISTANCE FROM THE END SLATS, THEN EACH SLAT END MUST BE FASTEN WITH ONE 1 1/4" SCREW (H), **SEE FIG.8**
- 6.- IF YOU PURCHASE TRUNDLE BED (I), USE ONLY THE HEADBOARD & FOOTBOARD TOP HOLES, THEN SLIDE UNDER BOTTOM SIDE RAILS, **SEE FIG.9**



WARNING:
THE BED SLATS WILL NO SUPPORT A MATTRESS ALONE, A SLAT PACK OR A BUNKIE BOARD IS REQUIRED FOR PROPER SAFETY.
(NOT INCLUDED)

TO ASSEMBLE THIS SLAT BED REQUIRES TWO PERSONS

SLAT BED ASSEMBLY INSTRUCTIONS CONFIGURATION TYPE # 2

**LIST OF CONTENTS
CREEKSIDE COLLECTION**

SLAT BED BOX (94,95,96-787/94,95,96-788) FIG.1

A.- (1) HEADBOARD

FOOTBOARD BED BOX (94,95,96-811/94,95,96-813) FIG.2

B.- (1) FOOTBOARD

WIDE SIDE RAIL BOX (94,95,96-937) FIG.3

C.- (1) WIDE SIDE RAIL

HARDWARE PACK (HPK00110-0)

D.- (4) 5/16" X 4" HEX TAP BOLTS WITH WASHER BLACK

E.- (4) 5/16"-18 X 5/8" CROSS DOWEL NUTS BLACK

F.- (1) 5MM ALLEN WRENCH

2 DRW STORAGE SIDE RAIL BOX (94,95,96-940) FIG.4

G.- (1) 2 DRW STORAGE SIDE RAIL PEDESTAL

HARDWARE PACK (HPK00110-0)

D.- (4) 5/16" X 4" HEX TAP BOLTS WITH WASHER BLACK

E.- (4) 5/16"-18 X 5/8" CROSS DOWEL NUTS BLACK

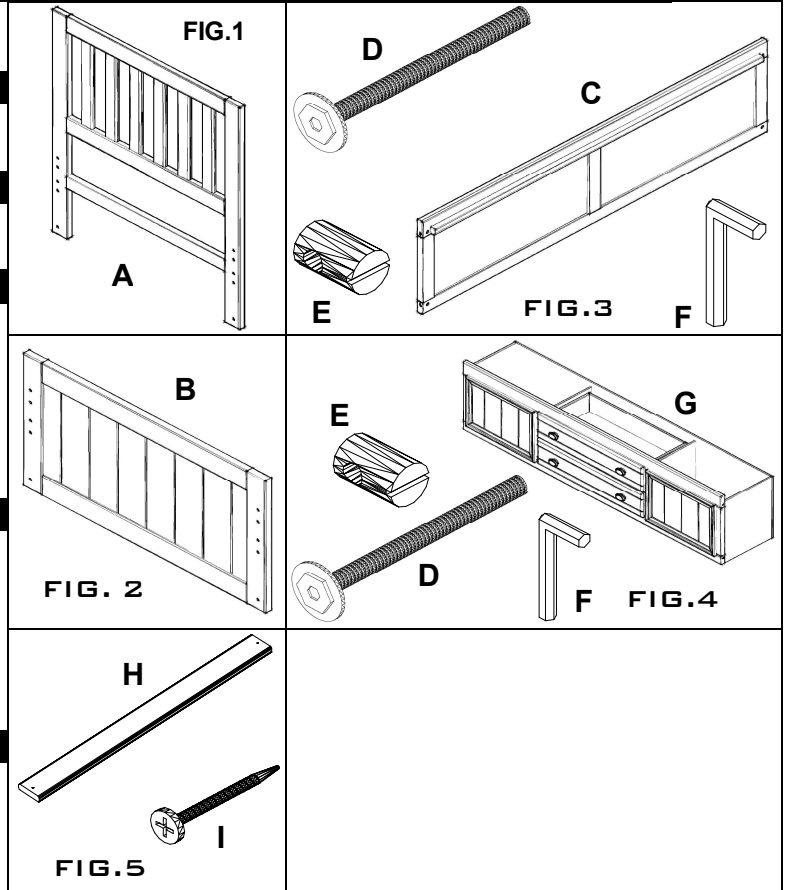
F.- (1) 5MM ALLEN WRENCH

4 PCS SLAT PACK BOX (100-645/100-646) FIG.5

H.- (4) SLATS

HARDWARE PACK (HPK00016-0)

I.- (8) 1 1/4" SCREWS



1.- INSERT TWO CROSS DOWEL NUTS (E) IN ACCESS HOLE INSIDE THE WIDE SIDE RAIL (C) AND 2 DRW STORAGE SIDE RAIL PEDESTAL (G), ALIGN THE CROSS DOWEL NUT MAKE SURE THE GROOVE IS HORIZONTAL, **SEE FIG.6.**

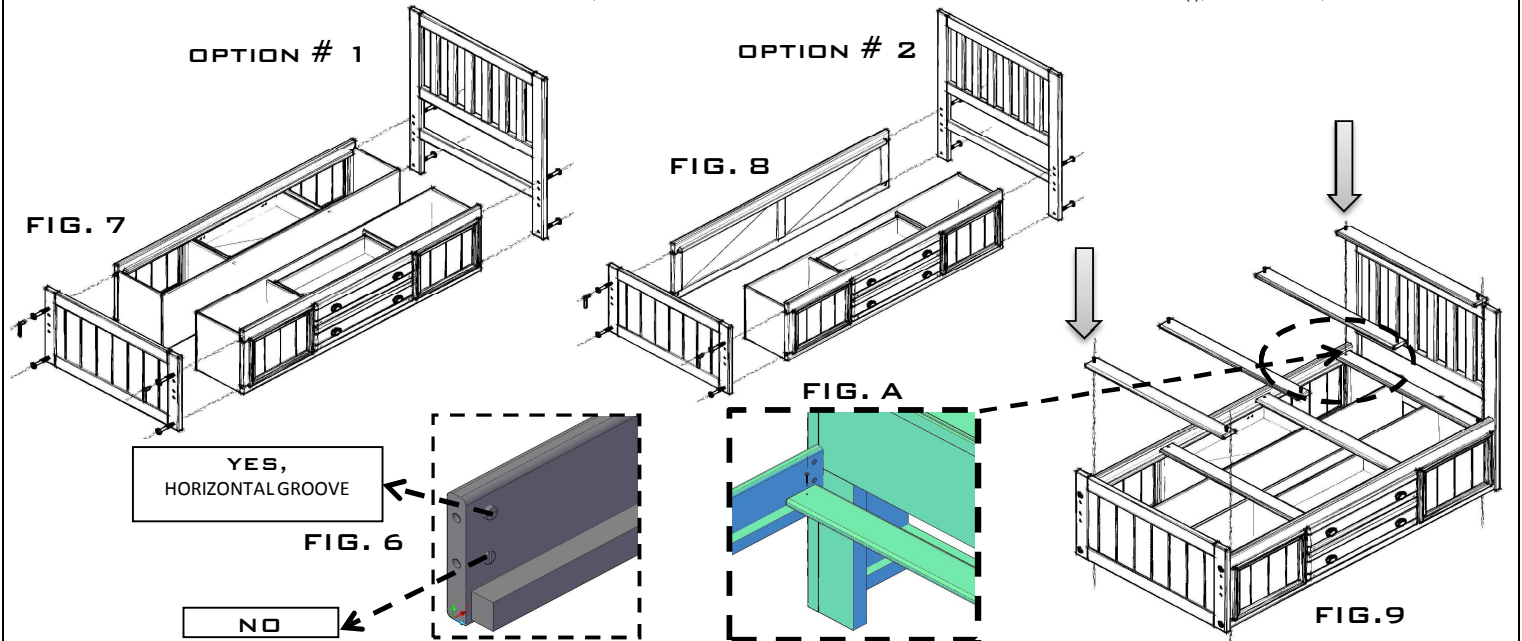
2.- TO ASEMBLE SLAT BED, USING ONE HEADBOARD (A), ONE FOOTBOARD (B), ONE WIDE SIDE RAIL (C) AND ONE 2 DRW STORAGE SIDE RAIL PEDESTAL (G).

3.- ATTACH TWO DRW STORAGE SIDE RAIL PEDESTAL (G) TO THE HDBD & FTBD, INSERTING TWO HEX TAP BOLTS WITH WASHER BLACK (D) INTO THE HDBD & FTBD HOLES, USE THE 5MM ALLEN (F) TO TIGHTEN BOTH HEX BOLTS, **SEE FIG.7 FOR THE OPTION # 1**

4.- ATTACH ONE DRW STORAGE SIDE RAIL PEDESTAL (G) AND ONE WIDE SIDE RAIL (C) TO THE HDBD & FTBD, INSERTING TWO HEX TAP BOLTS WITH WASHER (D) INTO THE HEADBOARD & FOOTBOARD HOLES, USE THE 5MM ALLEN (F) TO TIGHTEN BOTH HEX BOLTS, **SEE FIG.8 FOR THE OPTION # 2**

5.- REPEAT PROCESS ON ALL FOUR CORNERS.

6.- PLACE FOUR SLATS (H) ON SIDE RAIL CLEATS, ONE SLAT IN BOTH HEADBOARD & FOOTBOARD ENDS, PUSH THE SLAT AGAINST THE BED END POST (FIG.A), AND TWO SLATS IN THE MIDDLE AT EQUAL DISTANCE FROM THE END SLATS, THEN EACH SLAT END MUST BE FASTEN WITH ONE 1 1/4" SCREW (I), **SEE FIG.9.** FOR BOTH OPTIONS.



FULL SLAT BED ASSEMBLY INSTRUCTIONS CONFIGURATION TYPE # 3

LIST OF CONTENTS
CREEKSIDE COLLECTION

FULL SLAT BED BOX (94,95,96-788) FIG.1

A.- (1) HEADBOARD

FULL FOOTBOARD BED BOX (94,95,96-813) FIG.2

B.- (1) FOOTBOARD

1 PCS SIDE RAIL BOX (94,95,96-938) FIG.3

C.- (1) SIDE RAIL

HARDWARE PACK (HPK00110-0)

D.- (4) 5/16" X 4" HEX TAP BOLTS WITH WASHER BLACK

E.- (4) 5/16"-18 X 5/8" CROSS DOWEL NUTS BLACK

F.- (1) 5MM ALLEN WRENCH

2 DRW STORAGE SIDE RAIL BOX (94,95,96-940) FIG.4

G.- (1) 2 DRW STORAGE SIDE RAIL PEDESTAL

HARDWARE PACK (HPK00110-0)

D.- (4) 5/16" X 4" HEX TAP BOLTS WITH WASHER BLACK

E.- (4) 5/16"-18 X 5/8" CROSS DOWEL NUTS BLACK

F.- (1) 5MM ALLEN WRENCH

4 PCS SLAT PACK BOX (100-646) FIG.5

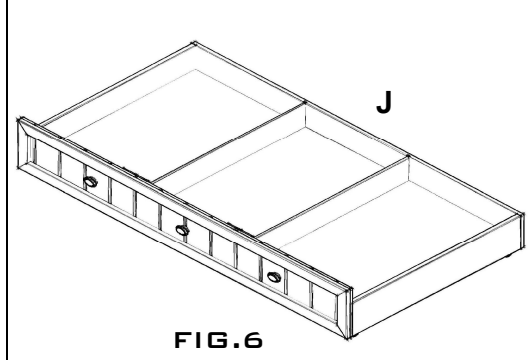
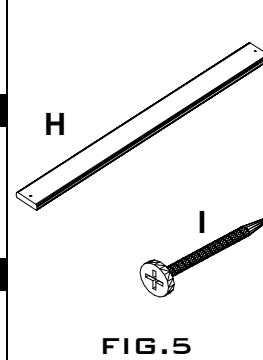
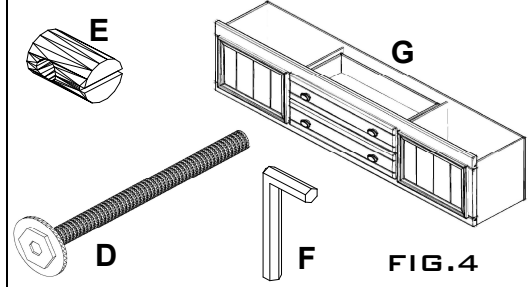
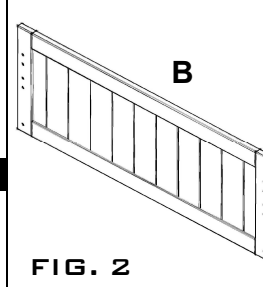
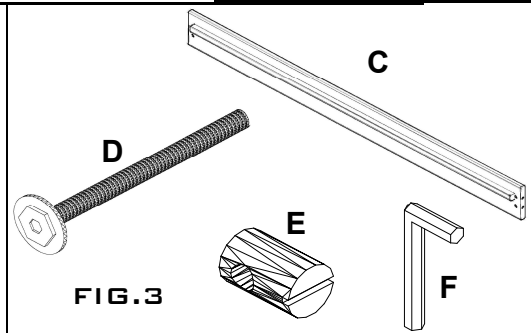
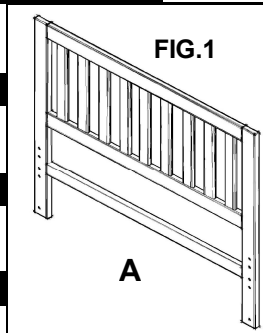
H.- (4) SLATS

HARDWARE PACK (HPK00016-0)

I.- (8) 1 1/4" SCREWS

TRUNDLE BED BOX (94,95,96-744) FIG.6

J.- (1) TRUNDLE BED



- 1.- INSERT TWO CROSS DOWEL NUTS (E) IN ACCESS HOLE INSIDE THE ONE PCS SIDE RAIL (C) AND DRAWER STORAGE SIDE RAIL PEDESTAL (G), ALIGN THE CROSS DOWEL NUT, MAKE SURE THE GROOVE IS HORIZONTAL, **SEE FIG.7.**
- 2.- TO ASSEMBLE FULL SLAT BED, USING ONE HEADBOARD (A), ONE FOOTBOARD (B), ONE PCS SIDE RAIL (C) AND ONE 2 DRW STORAGE SIDE RAIL PEDESTAL (G).
- 3.- ATTACH ONE DRAWER STORAGE SIDE RAIL PEDESTAL (G) AND 1 PCS SIDE RAIL (C) TO THE HEADBOARD & FOOTBOARD, INSERTING TWO HEX TAP BOLTS WITH WASHER BLACK (D) INTO THE HEADBOARD & FOOTBOARD HOLES, USE THE 5MM ALLEN (F) TO TIGHTEN BOTH HEX BOLTS, **SEE FIG.8.**
- 4.- REPEAT PROCESS ON ALL FOUR CORNERS.
- 5.- PLACE 4 SLATS (H) ON SIDE RAIL CLEATS, ONE SLAT IN BOTH HDBD & FTBD ENDS, PUSH THE SLAT AGAINST THE BED END POST (**FIG.A**), AND TWO SLATS IN THE MIDDLE AT EQUAL DISTANCE FROM THE END SLATS, THEN EACH SLAT END MUST BE FASTEN WITH ONE 1 1/4" SCREW (I), **SEE FIG.9**
- 6.- IF YOU PURCHASE TRUNDLE BED (J), USE ONLY THE HEADBOARD & FOOTBOARD TOP HOLES, THEN SLIDE UNDER BOTTOM SIDE RAILS, SEE **CONFIGURATION # 3**

