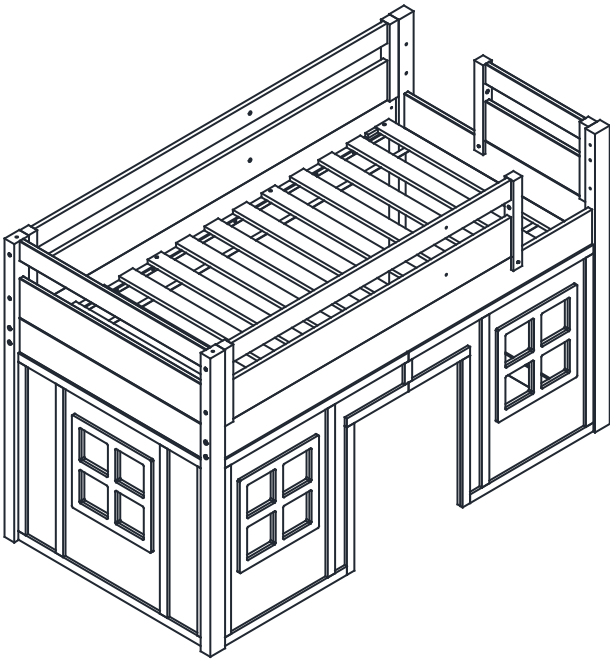




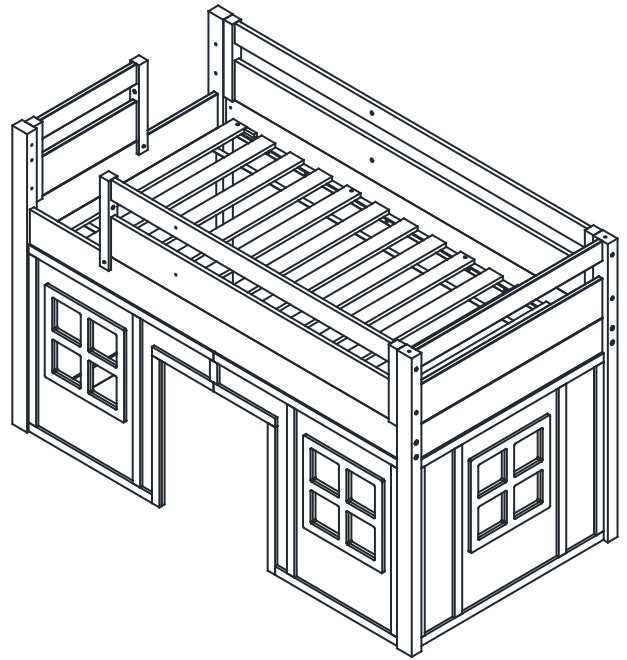
HIDDEN HILLS

TWIN CLUBHOUSE BED

OPTION 1:
Twin low loft bed with
clubhouse set (lower loft 3-PC panel set)
installed on the LEFT end



OPTION 2:
Twin low loft bed with
clubhouse set (lower loft 3-PC panel set)
installed on the RIGHT end



Note: Before setting up the Clubhouse Set, please read and complete the assembly of the Twin Low Loft Bed. Once the bed assembly is finished, proceed with the following steps to set up the Clubhouse Set.

**Use only correct mattress dimensions and Bunkie board:
Twin size mattress- 74" - 75" long and 37.5 - 38.5" wide
Twin size Bunkie board - 74" long and 37.5" wide**

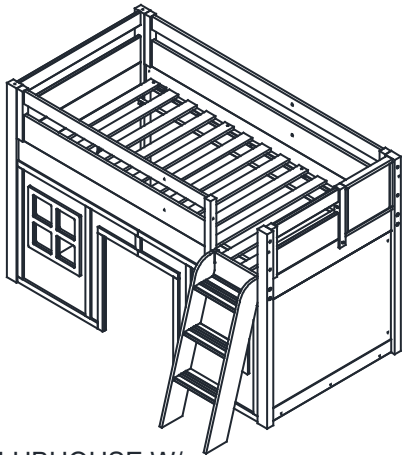
PLEASE CONTACT YOUR RETAIL STORE WITH SERVICE OR PARTS REPLACEMENT REQUEST

This product is manufactured by (THII) for ROOMS TO GO® | KIDS

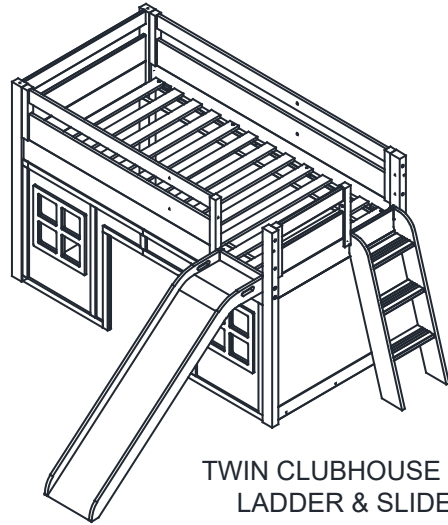


HIDDEN HILLS

TWIN CLUBHOUSE BED



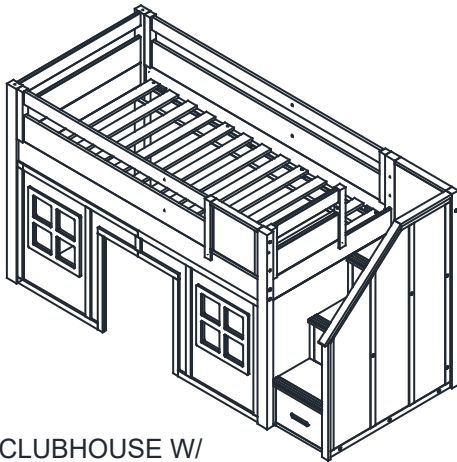
TWIN CLUBHOUSE W/
LADDER & ACTIVITY PANEL



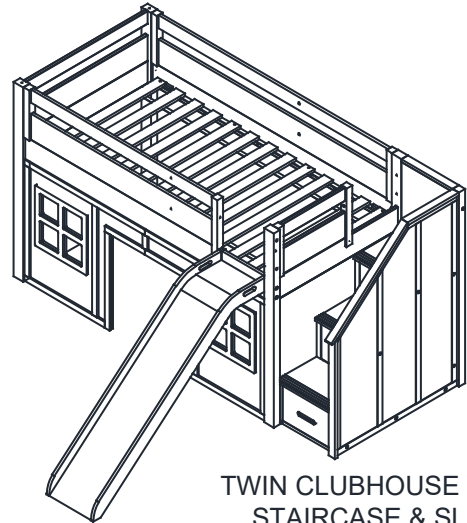
TWIN CLUBHOUSE W/
LADDER & SLIDE

3441066P - TWIN CLUBHOUSE W/ LADDER & ACTIVITY PANEL - MULTI			
NO	RTG SKU#	STYLE#	ITEM DESCRIPTION
1	34010669	HHHB6665BO	2-PC BED ENDS & 1 SET OF SLAT ROLL
2	34210663	HHHB6666BO	GUARD RAILS & SIDE RAILS
3	34710663	HHHB6669BO	LADDER
4	34910667	HHHB6672BO	ACTIVITY PANEL
5	34410667	HHHB6673BO	CLUBHOUSE SET (LOWER LOFT 3-PC PANEL SET)

3451066P - TWIN CLUBHOUSE W/ LADDER & SLIDE - MULTI			
NO	RTG SKU#	STYLE#	ITEM DESCRIPTION
1	34010669	HHHB6665BO	2-PC BED ENDS & 1 SET OF SLAT ROLL
2	34210663	HHHB6666BO	GUARD RAILS & SIDE RAILS
3	34410667	HHHB6673BO	CLUBHOUSE SET (LOWER LOFT 3-PC PANEL SET)
4	34710663	HHHB6669BO	LADDER
5	34810665	HHHB6670BO	SLIDE



TWIN CLUBHOUSE W/
STAIRCASE & ACTIVITY PANEL



TWIN CLUBHOUSE WITH
STAIRCASE & SLIDE

3461066P - TWIN CLUBHOUSE W/ STAIRCASE & ACTIVITY PANEL - MULTI			
NO	RTG SKU#	STYLE#	ITEM DESCRIPTION
1	34010669	HHHB6665BO	2-PC BED ENDS & 1 SET OF SLAT ROLL
2	34210663	HHHB6666BO	GUARD RAILS & SIDE RAILS
3	34510669	HHHB6668BO	STAIRCASE
4	34610661	HHHB6671BO	STAIRCASE HANDRAIL & BACK PANEL
5	34910667	HHHB6672BO	ACTIVITY PANEL
6	34410667	HHHB6673BO	CLUBHOUSE SET (LOWER LOFT 3-PC PANEL SET)

3471066P - TWIN CLUBHOUSE WITH STAIRCASE & SLIDE - MULTI			
NO	RTG SKU#	STYLE#	ITEM DESCRIPTION
1	34010669	HHHB6665BO	2-PC BED ENDS & 1 SET OF SLAT ROLL
2	34210663	HHHB6666BO	GUARD RAILS & SIDE RAILS
3	34510669	HHHB6668BO	STAIRCASE
4	34610661	HHHB6671BO	STAIRCASE HANDRAIL & BACK PANEL
5	34810665	HHHB6670BO	SLIDE
6	34410667	HHHB6673BO	CLUBHOUSE SET (LOWER LOFT 3-PC PANEL SET)

PLEASE CONTACT YOUR RETAIL STORE WITH SERVICE OR PARTS REPLACEMENT REQUEST

This product is manufactured by (THII) for ROOMS TO GO® | KIDS



HIDDEN HILLS

TWIN CLUBHOUSE BED

MATTRESS AND BUNKIE BOARD CHART

PACKAGE	DESCRIPTION	TOP BED
3441066P MULTI	TWIN CLUBHOUSE WITH LADDER & ACTIVITY PANEL	TWIN MATTRESS TWIN BUNKIE BOARD RECOMMENDED
3451066P MULTI	TWIN CLUBHOUSE WITH LADDER & SLIDE	TWIN MATTRESS TWIN BUNKIE BOARD RECOMMENDED
3461066P MULTI	TWIN CLUBHOUSE WITH STAIRCASE & ACTIVITY PANEL	TWIN MATTRESS TWIN BUNKIE BOARD RECOMMENDED
3471066P MULTI	TWIN CLUBHOUSE WITH STAIRCASE & SLIDE	TWIN MATTRESS TWIN BUNKIE BOARD RECOMMENDED

**Use only correct mattress dimensions and Bunkie board:
Twin size mattress- 74" - 75" long and 37.5 - 38.5" wide
Twin size Bunkie board - 74" long and 37.5" wide**

PLEASE CONTACT YOUR RETAIL STORE WITH SERVICE OR PARTS REPLACEMENT REQUEST

This product is manufactured by (THII) for **ROOMS TO GO** | **KIDS**



WARNING DANGER:

Failure to follow these warnings and assembly instructions could result in serious injury or death. To help prevent serious or fatal injuries from entrapment or falls:

-Read all instructions before assembling bunk bed and keep these instructions for future reference.

-Before each usage or assembly, inspect bunk bed for damaged hardware, loose joints, missing parts, or sharp edges. DO NOT use bunk bed if any parts are missing or broken.

-DO NOT use substitute parts. Contact your local Rooms To Go or visit www.ROOMSTOGO.com for replacement parts and instructional literature if needed.

-Follow the information on the warnings appearing on the upper bunk end structure and on the carton.

DO NOT REMOVE WARNING LABEL FROM BED

-Always use the recommended size mattresses or mattress supports, or both, to help prevent the likelihood of entrapment or falls.

-Ensure thickness of mattress and foundation combined does not exceed **10** inches and mattress surface is at least 5 inches (127mm) below upper edge of guardrails for the upper bunk.

-Do not allow children under 6 years of age to use the upper bunk.

-Periodically check and ensure that the guardrail, ladder, and other components are in their proper position, free from damage, and that all connectors are tight.

-Do not allow horseplay on or under the bed and prohibit jumping on the bed.

-Limit top bunk use to one person.

-Always use the ladder for entering and leaving the upper bunk.

-Use of a night light may provide added safety precaution for a child using the upper bunk.

-Always use guardrails on both long sides of the upper bunk. If the bunk bed will be placed next to the wall, the guardrail that runs the full length of the bed should be placed against the wall to prevent entrapment between the bed and wall.

-The use of water or sleep flotation mattresses is prohibited.

-This bunk bed meets all the requirement of ASTM F1427-21e1 standard consumer safety specification for bunk beds.



STRANGULATION HAZARD:

Never attach or hang items to any part of the bunk bed that are not designed for use with the bed; for example, but not limited to, hooks, belts and jump ropes.

PLEASE CONTACT YOUR RETAIL STORE WITH SERVICE OR PARTS REPLACEMENT REQUEST

This product is manufactured by (THII) for **ROOMS TO GO** | **KIDS**

Pre - Assembly

Warning:

The bed slats included with this bed will support a mattress alone, this bed does not require Bunkie boards (sold separately) but they are recommended.

Read all the instructions, identify all components, choose your configuration, and be sure you have all parts prior to assembly.

Two people are needed to assemble.

Tools Needed:

Phillips heads screwdriver (not included)

4mm allen wrench (included)

MAKE SURE ALL BOLTS ARE TIGHTENED COMPLETELY

CARE INSTRUCTIONS:

Dust with a clean, soft cloth. Avoid the use of all abrasive cleaners.

PLEASE CONTACT YOUR RETAIL STORE WITH SERVICE OR PARTS REPLACEMENT REQUEST.

This product is manufactured by (THII) for **ROOMS TO GO | KIDS**






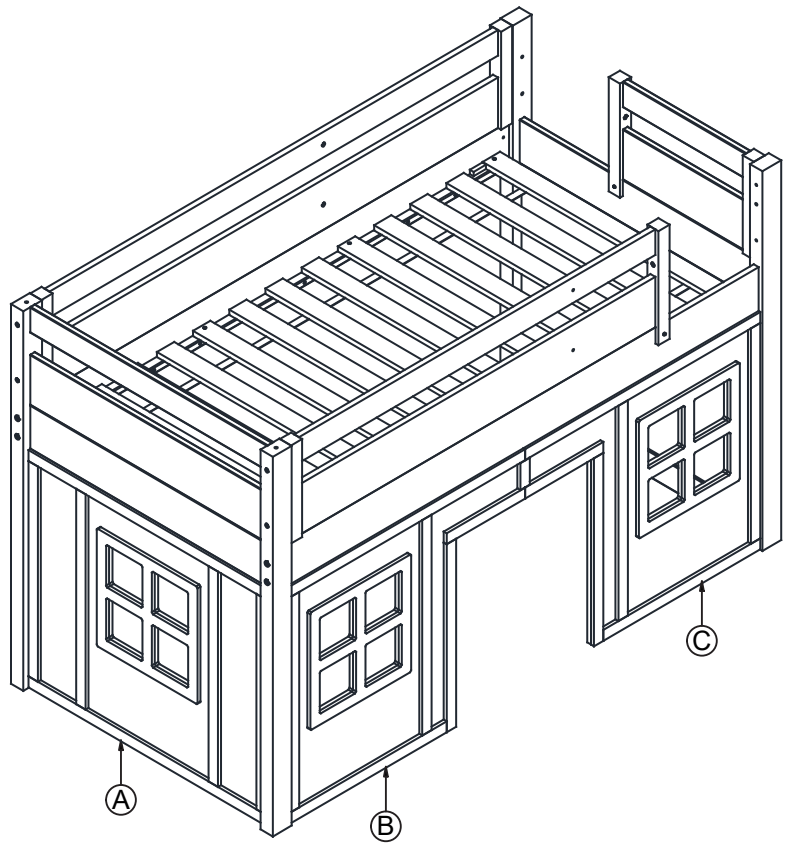
HIDDEN HILLS

TWIN CLUBHOUSE BED

Thank you for purchasing this quality product. Be sure to check all packing material carefully for small parts which may have come loose inside the carton during shipment. Identify and count all parts and compare with the parts list below. Read all instructions before assembling and keep these instructions for future reference.

PARTS LIST

PART LIST IN THE BOX OF CLUBHOUSE SET (LOWER LOFT 3-PC PANEL SET)			
NO	ITEM DESCRIPTION	IMAGE	Q'TY
A	END PANEL		1 PC
B	SIDE WALL PANEL(LEFT)		1 PC
C	SIDE WALL PANEL(RIGHT)		1 PC



PLEASE CONTACT YOUR RETAIL STORE WITH SERVICE OR PARTS REPLACEMENT REQUEST

This product is manufactured by (THII) for ROOMS TO GO® | KIDS







HIDDEN HILLS

TWIN CLUBHOUSE BED

Thank you for purchasing this quality product. Be sure to check all packing material carefully for small parts which may have come loose inside the carton during shipment. Identify and count all parts and compare with the parts list below. Read all instructions before assembling and keep these instructions for future reference.

HARDWARE LIST

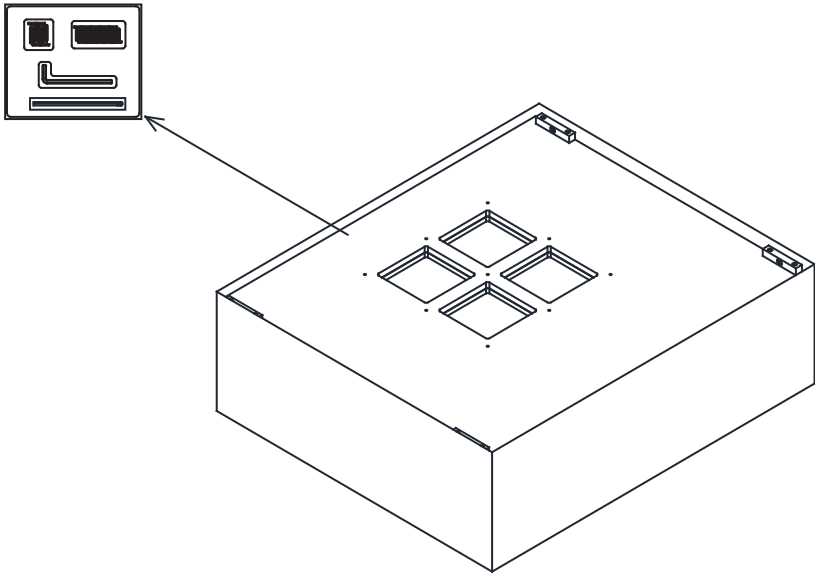
HARDWARE LIST IN THE BOX OF CLUBHOUSE SET (LOWER LOFT 3-PC PANEL SET)			
NO	ITEM DESCRIPTION	IMAGE	Q'TY
1	Bolt 1/4"-20 x 30mm		4 PCS
2	Bolt 1/4"-20 x 20mm		10 PCS
3	Allen Key M4 x 110mm		1 PC
4	Straight Allen Key M4 x 110mm		1 PC

TOOLS REQUIRED	
	SCREWDRIVER (NOT INCLUDED)

Remark:
In case of using the drilling machines for the assembling, please use the Straight Allen Key (4) to replace Allen Key (3).

HARDWARE PACK LOCATION

RTG SKU#	STYLE#	COLOR	ITEM DESCRIPTION
34410667	HHHB6673BO	MULTI	CLUBHOUSE SET (LOWER LOFT 3-PC PANEL SET)



CLUBHOUSE SET (LOWER LOFT 3-PC PANEL SET)

PLEASE CONTACT YOUR RETAIL STORE WITH SERVICE OR PARTS REPLACEMENT REQUEST

This product is manufactured by (THII) for ROOMS TO GO® | KIDS

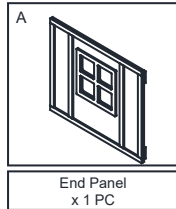


HIDDEN HILLS

TWIN CLUBHOUSE BED

Thank you for purchasing this quality product. Be sure to check all packing material carefully for small parts which may have come loose inside the carton during shipment. Identify and count all parts and compare with the parts list below. Read all instructions before assembling and keep these instructions for future reference.

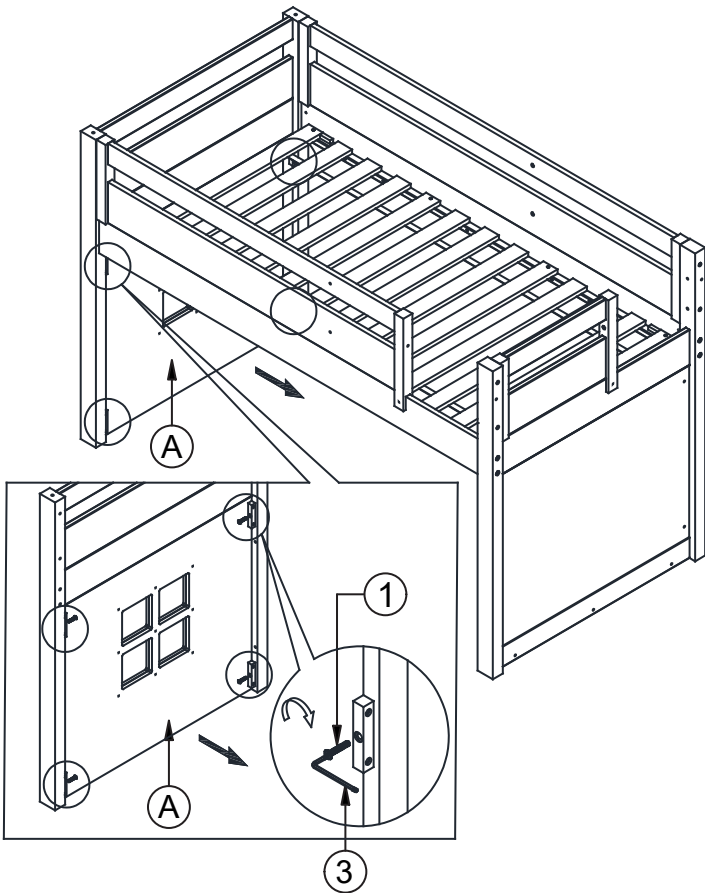
Assembly Instructions:



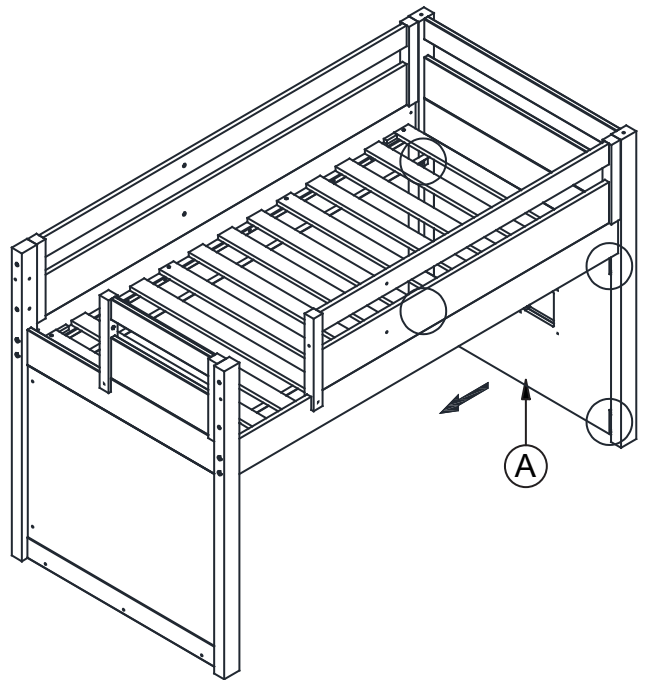
Note: Before setting up the Clubhouse Set, please read and complete the assembly of the Twin Low Loft Bed. Once the bed assembly is finished, proceed with the following steps to set up the Clubhouse Set.

STEP 1

End panel on the left side



End panel on the right side



Assemble the end panel to the bed end.

PLEASE CONTACT YOUR RETAIL STORE WITH SERVICE OR PARTS REPLACEMENT REQUEST

This product is manufactured by (THII) for ROOMS TO GO® | KIDS

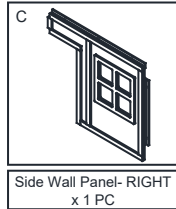


HIDDEN HILLS

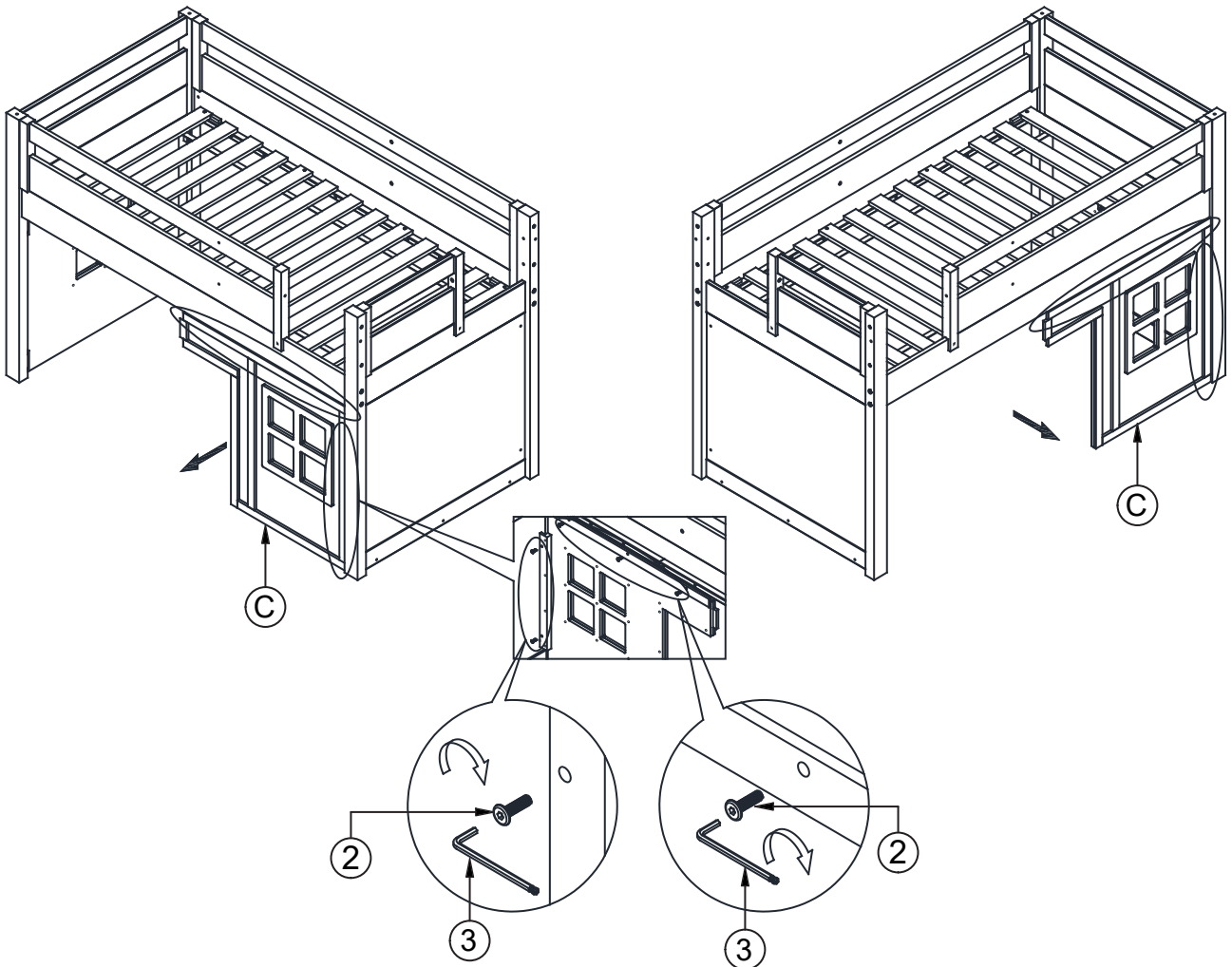
TWIN CLUBHOUSE BED

Thank you for purchasing this quality product. Be sure to check all packing material carefully for small parts which may have come loose inside the carton during shipment. Identify and count all parts and compare with the parts list below. Read all instructions before assembling and keep these instructions for future reference.

Assembly Instructions:



STEP 2 Note: Insert the side wall panel- RIGHT from inside.



Assemble the side wall panel- RIGHT to the bed ends and bed rail.

PLEASE CONTACT YOUR RETAIL STORE WITH SERVICE OR PARTS REPLACEMENT REQUEST

This product is manufactured by (THII) for ROOMS TO GO | KIDS

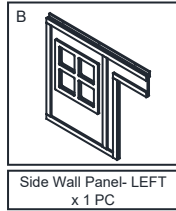


HIDDEN HILLS

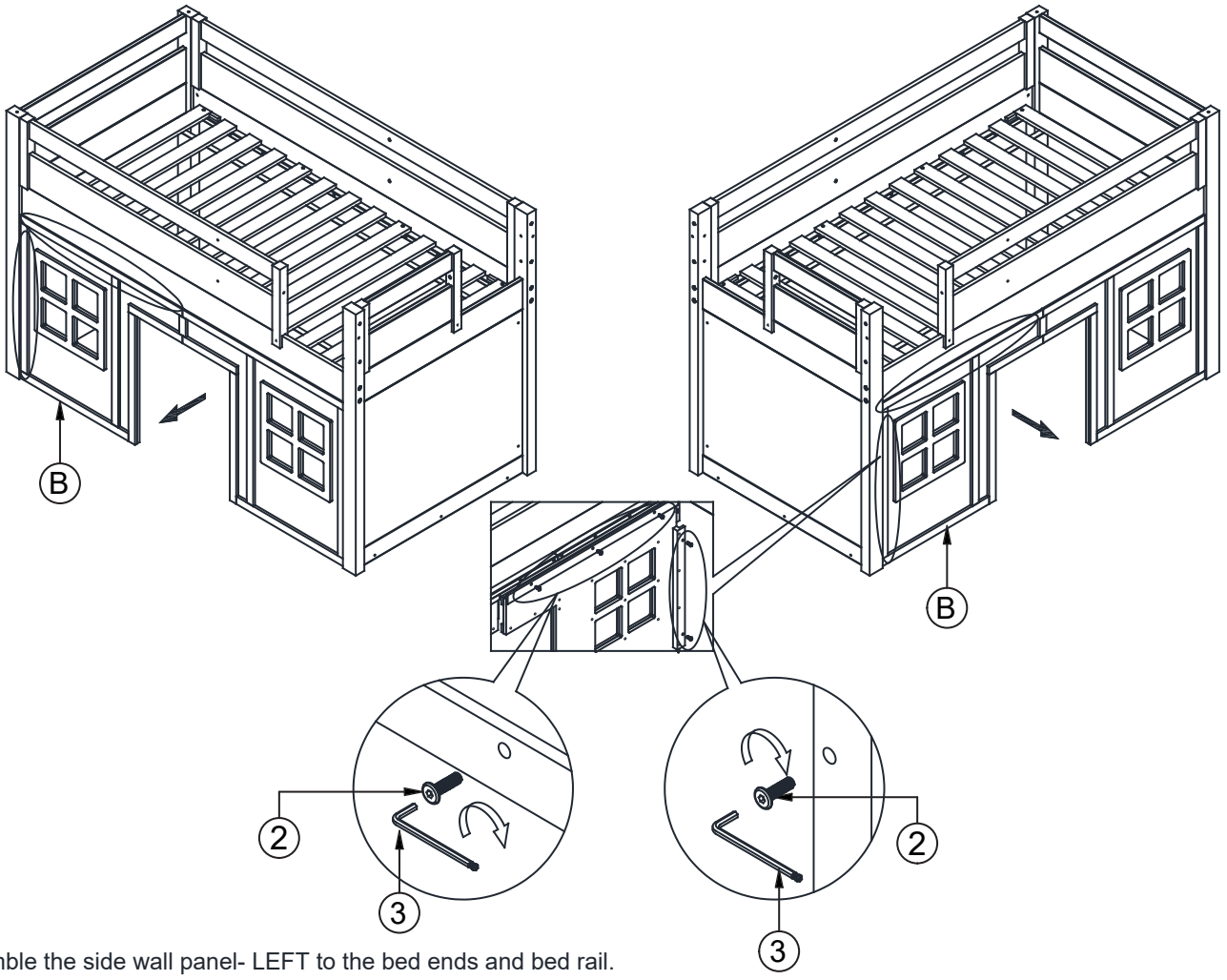
TWIN CLUBHOUSE BED

Thank you for purchasing this quality product. Be sure to check all packing material carefully for small parts which may have come loose inside the carton during shipment. Identify and count all parts and compare with the parts list below. Read all instructions before assembling and keep these instructions for future reference.

Assembly Instructions:



STEP 3 Note: Insert the side wall panel- LEFT from inside.



Assemble the side wall panel- LEFT to the bed ends and bed rail.

PLEASE CONTACT YOUR RETAIL STORE WITH SERVICE OR PARTS REPLACEMENT REQUEST

This product is manufactured by (THII) for ROOMS TO GO | KIDS