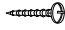


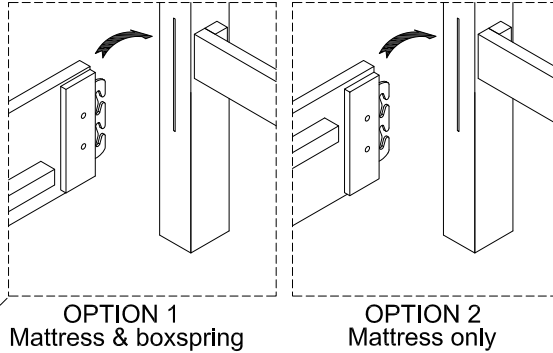
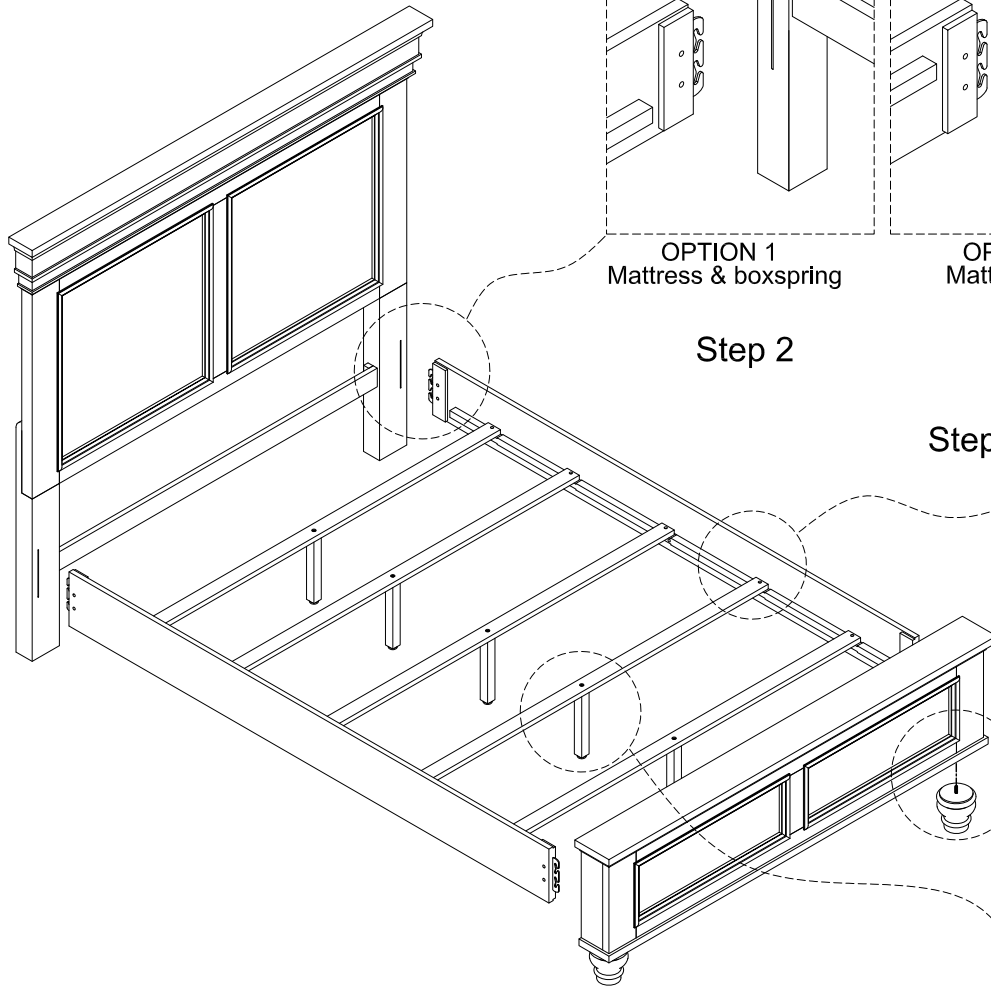
Assembly Instruction

HOUS 2055-21H/21F/21R Queen Panel Bed SKU# 32320551/ 32720559/ 32920553
 HOUS 2055-22H/22F/21R King Panel Bed SKU# 32420553/ 32820551/ 32920553
 HOUS 2054-21H/21F/21R Queen Panel Bed SKU# 32320549/ 32720547/ 32920541
 HOUS 2054-22H/22F/21R King Panel Bed SKU# 32420541/ 32820549/ 32920541

Thank you for purchasing this quality product. Be sure to check all packing materials carefully for small parts which may have come loose inside the carton during shipment. Identify and count all parts and compare with the parts list below.
 **Assemble the product on a flat, soft surface such as a carpet or cloth to prevent scratching the finish. Read all instruction and study the drawings carefully before starting the assembly process.

Hardware list (Enclosed in Footboard)

Step	Code	Hardware	Q'TY
4	A	Screw #8x1" 	10 pcs



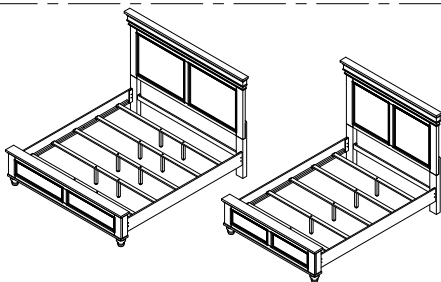
Step 2

Step 4

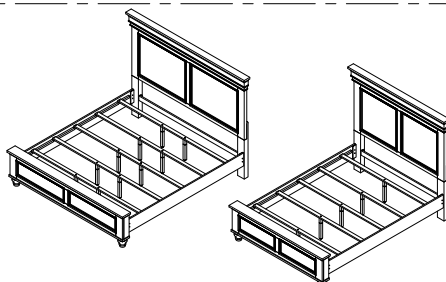
A

Step 1

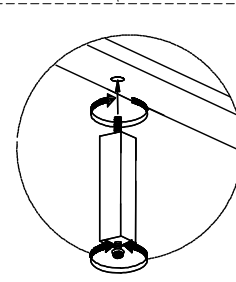
Step 3



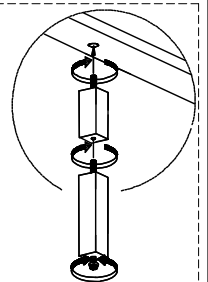
OPTION 1
Mattress & boxspring



OPTION 2
Mattress only



OPTION 1
Mattress & boxspring



OPTION 2
Mattress only

Cleaning Instruction: Clean finished parts with a mild dishwashing liquid and water solution on a damp cloth. Polish the finish with soft cloth and an industry recognized furniture polish.

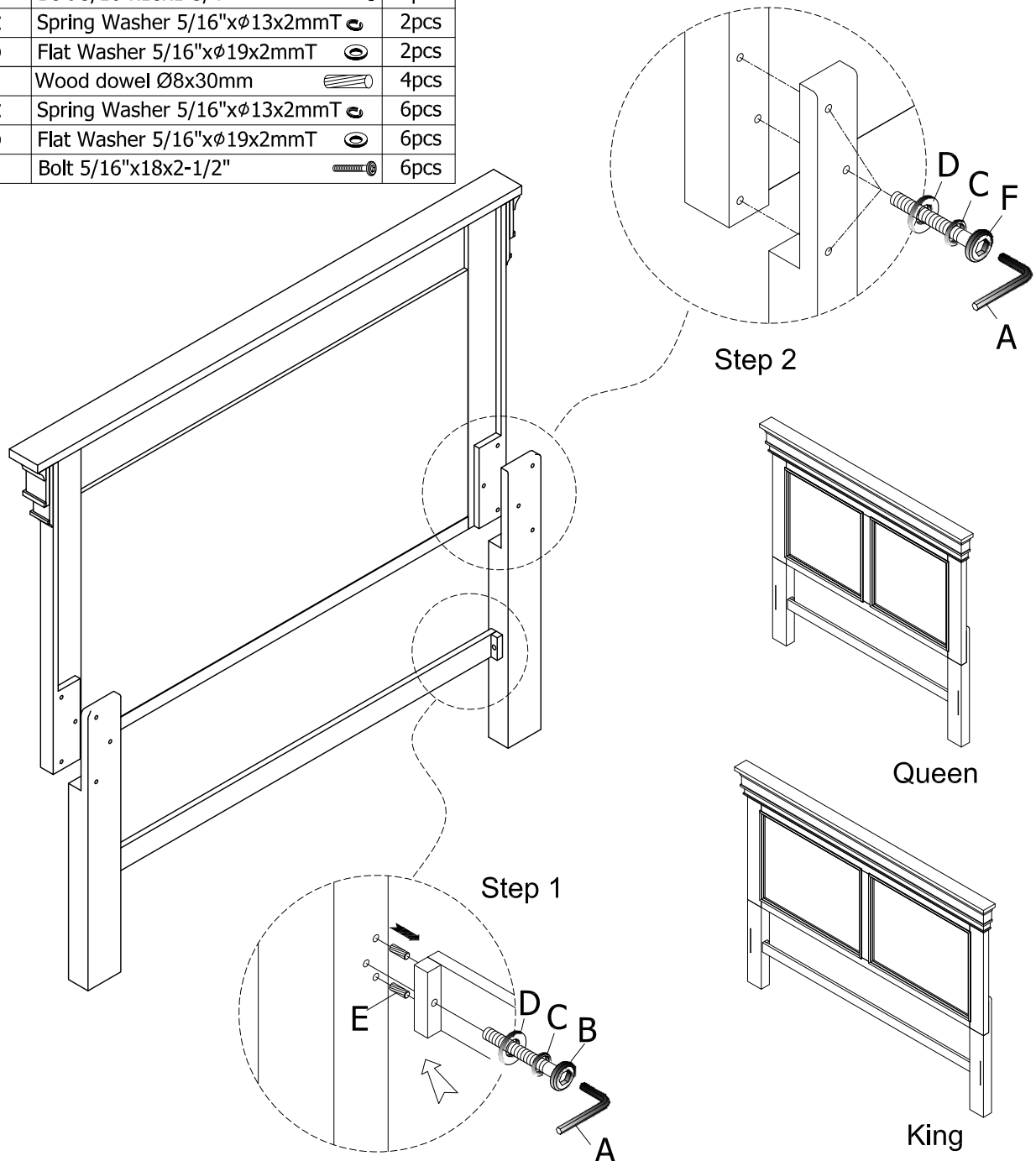
Assembly Instruction

HOUS 2055/2054-21H Queen Panel Headboard SKU# 32320551/32320549
 HOUS 2055/2054-22H King Panel Headboard SKU# 32420553/32420541

Thank you for purchasing this quality product. Be sure to check all packing materials carefully for small parts which may have come loose inside the carton during shipment. Identify and count all parts and compare with the parts list below.
 **Assemble the product on a flat, soft surface such as a carpet or cloth to prevent scratching the finish. Read all instruction and study the drawings carefully before starting the assembly process.

Hardware list

Step	Code	Hardware	Q'TY
	A	Allen key 4mm	1 pc
1	B	Bolt 5/16"x18x1-3/4"	2pcs
1	C	Spring Washer 5/16"xφ13x2mmT	2pcs
1	D	Flat Washer 5/16"xφ19x2mmT	2pcs
1	E	Wood dowel Ø8x30mm	4pcs
2	C	Spring Washer 5/16"xφ13x2mmT	6pcs
2	D	Flat Washer 5/16"xφ19x2mmT	6pcs
2	F	Bolt 5/16"x18x2-1/2"	6pcs



Cleaning Instruction: Clean finished parts with a mild dishwashing liquid and water solution on a damp cloth. Polish the finish with soft cloth and an industry recognized furniture polish.

Assembly Instruction

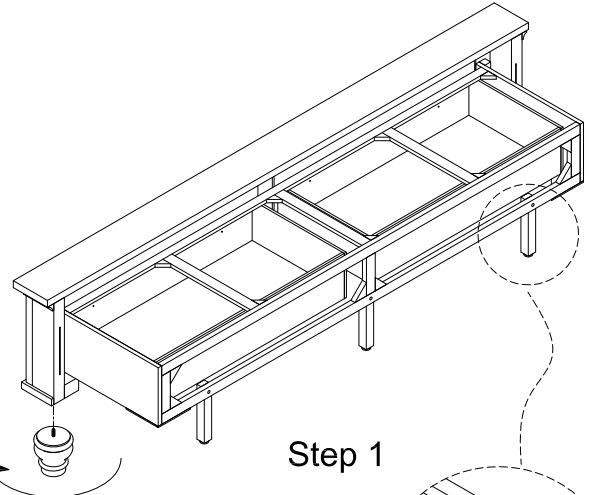
HOUS 2055-21H/49USF/49R Queen Storage Bed
 HOUS 2055-22H/50USF/49R King Storage Bed
 HOUS 2054-21H/49USF/49R Queen Storage Bed
 HOUS 2054-22H/50USF/49R King Storage Bed

SKU# 32320551/ 33720550/ 33920554
 SKU# 32420553/ 33820552/ 33920554
 SKU# 32320549/ 33720548/ 33920542
 SKU# 32420541/ 33820540/ 33920542

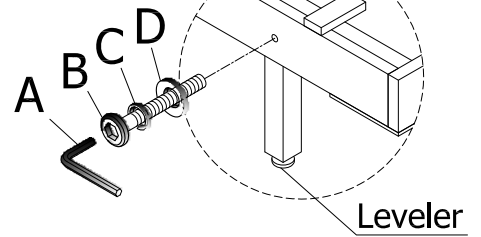
Thank you for purchasing this quality product. Be sure to check all packing materials carefully for small parts which may have come loose inside the carton during shipment. Identify and count all parts and compare with the parts list below.
 **Assemble the product on a flat, soft surface such as a carpet or cloth to prevent scratching the finish. Read all instruction and study the drawings carefully before starting the assembly process.

Hardware list (Enclosed in Footboard)

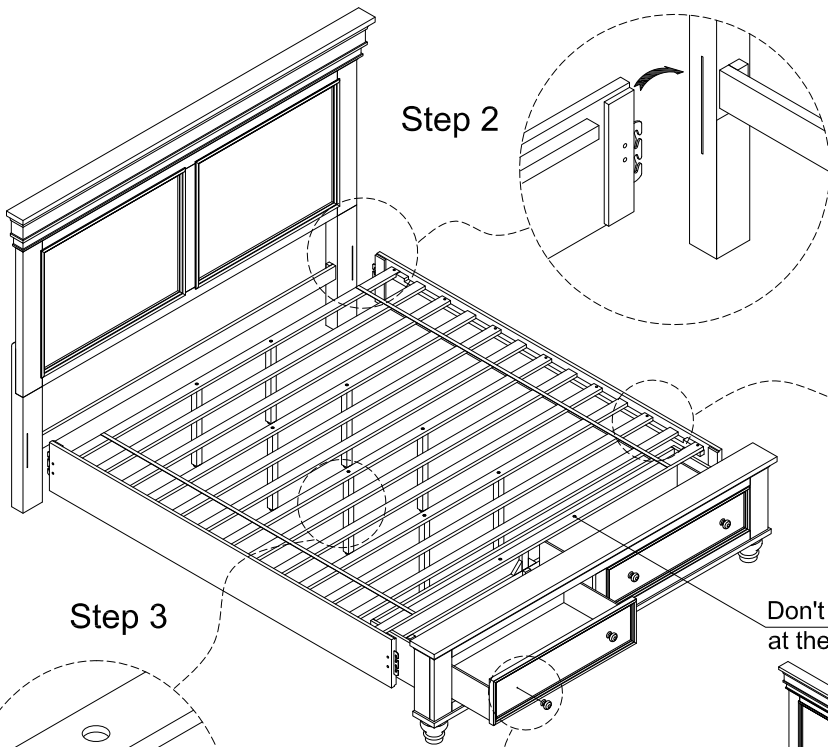
Step	Code	Hardware	Queen	King
			Q'TY	
	A	Allen key 4mm	1 pc	1 pc
1	B	Bolt 1/4"x20x1-3/8"	2pcs	3pcs
1	C	Spring Washer 1/4"xφ11x2mmT	2pcs	3pcs
1	D	Flat Washer 1/4"xφ19x2mmT	2pcs	3pcs
4	E	Screw #8x1"	14 pcs	14 pcs



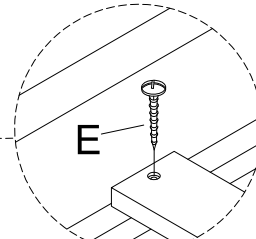
Step 1



Leveler

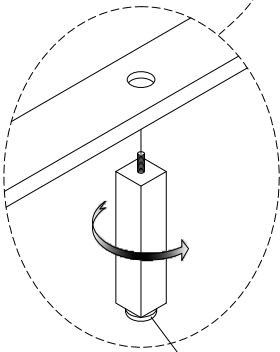


Step 2

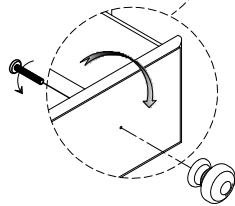


Step 4

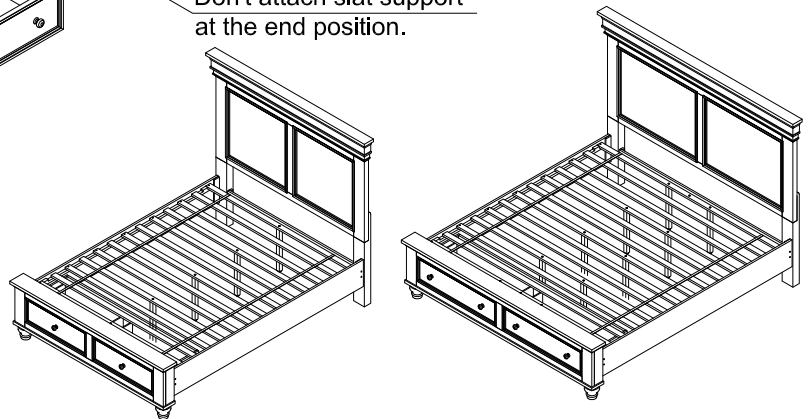
Don't attach slat support at the end position.



Leveler



Step 5



Queen Bed

King Bed


Cleaning Instruction: Clean finished parts with a mild dishwashing liquid and water solution on a damp cloth. Polish the finish with soft cloth and an industry recognized furniture polish.

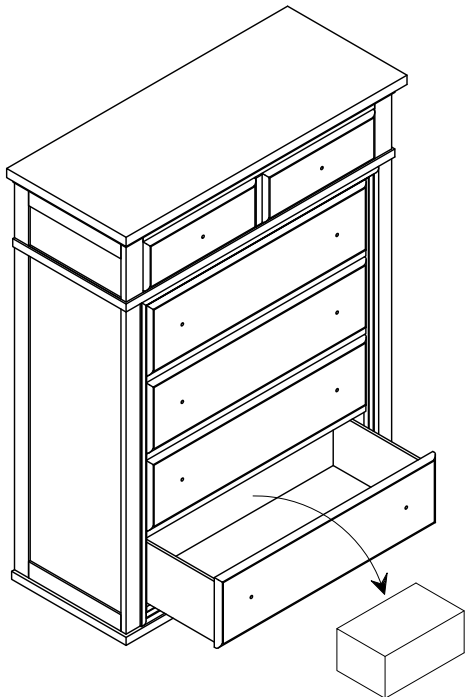
Assembly Instruction

HOUS 2055-11 Drawer Chest SKU# 32620557
 HOUS 2054-11 Drawer Chest SKU# 32620545

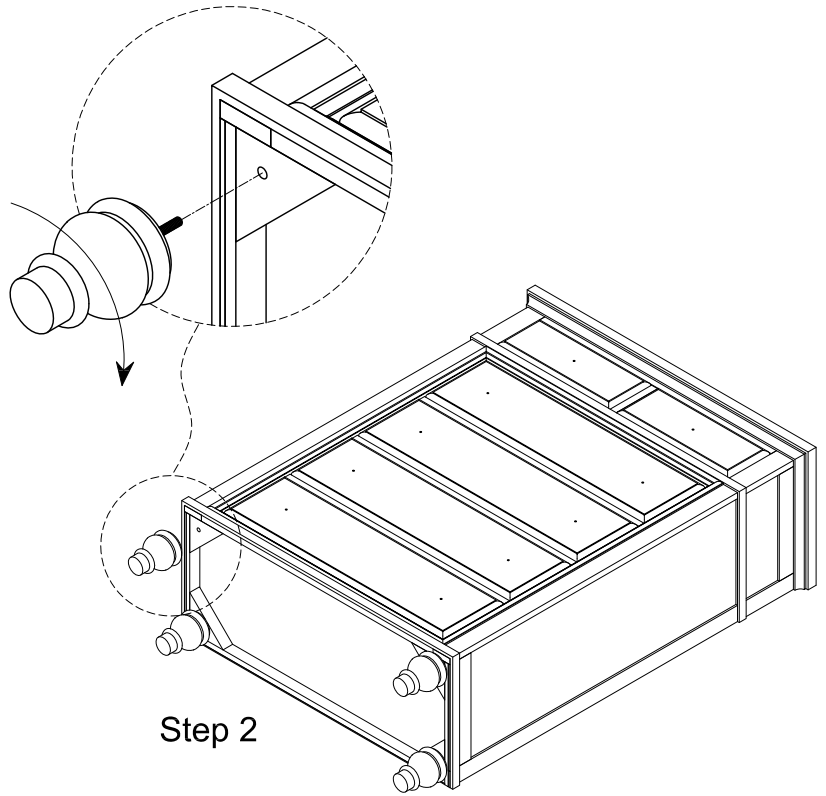
Thank you for purchasing this quality product. Be sure to check all packing materials carefully for small parts which may have come loose inside the carton during shipment. Identify and count all parts and compare with the parts list below.
 **Assemble the product on a flat, soft surface such as a carpet or cloth to prevent scratching the finish. Read all instruction and study the drawings carefully before starting the assembly process.

Hardware list

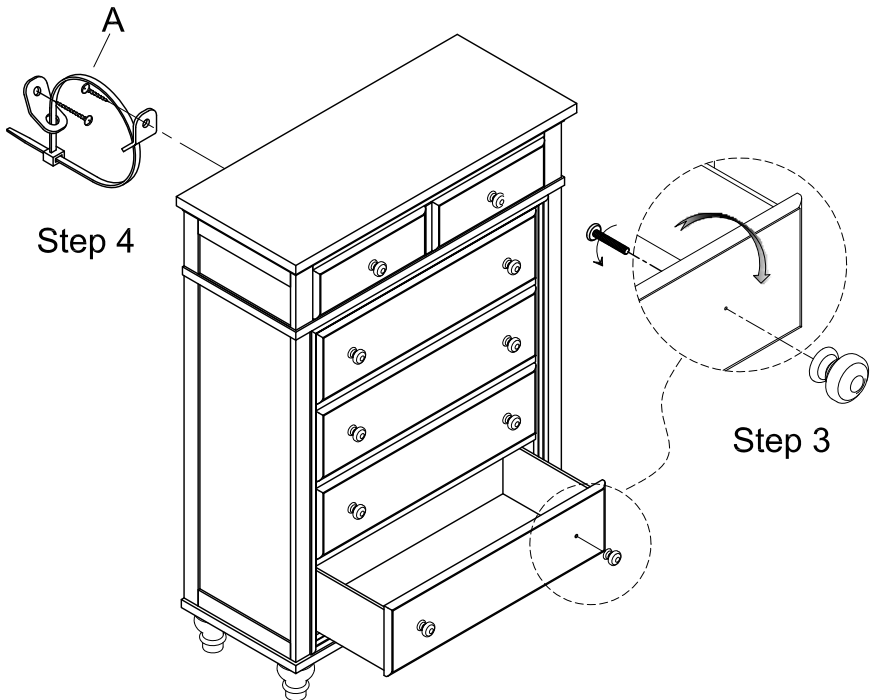
Step	Code	Hardware	Q'TY
4	A	Furniture tipping restraint 	1 set



Step 1 Leg Box

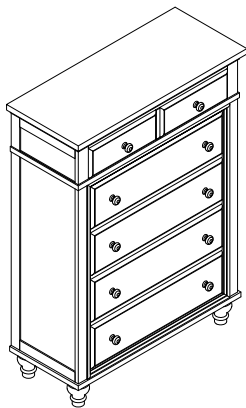


Step 2



Step 3

Step 4



Complete

Cleaning Instruction: Clean finished parts with a mild dishwashing liquid and water solution on a damp cloth. Polish the finish with soft cloth and an industry recognized furniture polish.

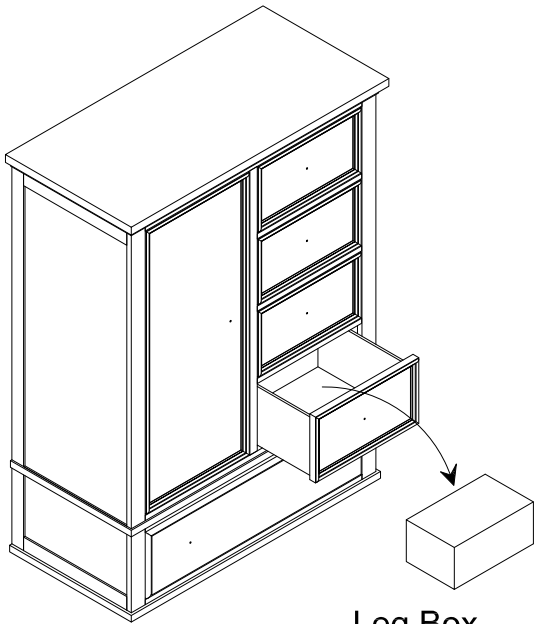
Assembly Instruction

HOUS 2055-14 Gentleman's Chest SKU# 33620558
 HOUS 2054-14 Gentleman's Chest SKU# 33620546

Thank you for purchasing this quality product. Be sure to check all packing materials carefully for small parts which may have come loose inside the carton during shipment. Identify and count all parts and compare with the parts list below.
 **Assemble the product on a flat, soft surface such as a carpet or cloth to prevent scratching the finish. Read all instruction and study the drawings carefully before starting the assembly process.

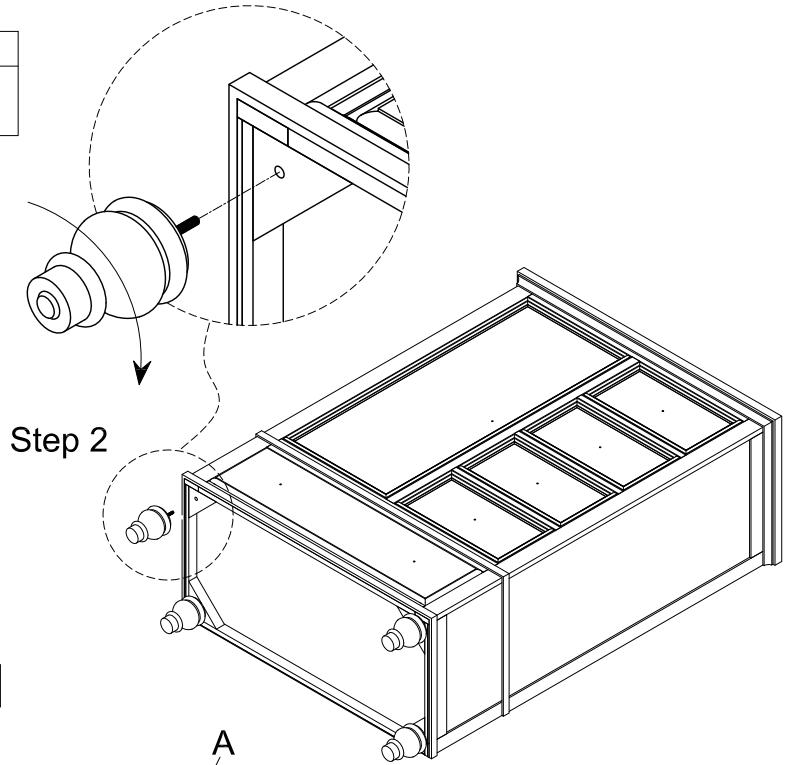
Hardware list

Step	Code	Hardware	Q'TY
4	A	Furniture tipping restraint	1 set

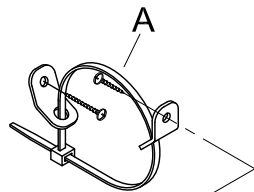


Step 1

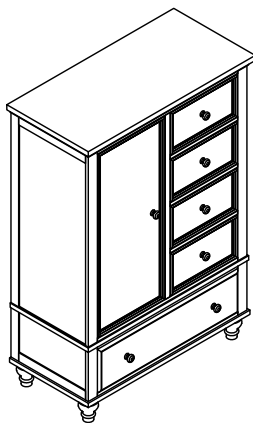
Leg Box



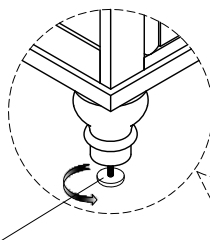
Step 2



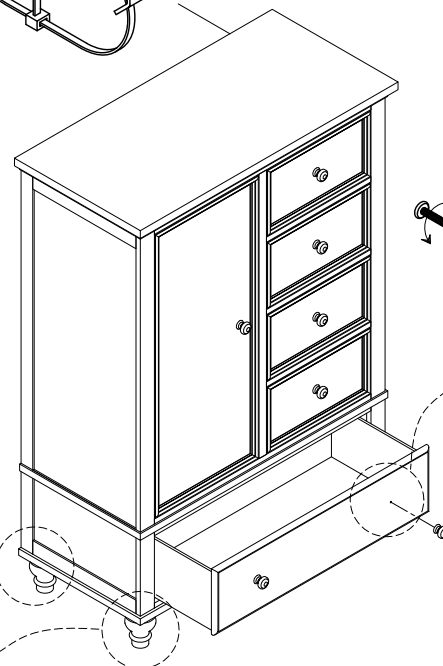
Step 4



Complete



Leveler



Step 3


Cleaning Instruction: Clean finished parts with a mild dishwashing liquid and water solution on a damp cloth. Polish the finish with soft cloth and an industry recognized furniture polish.

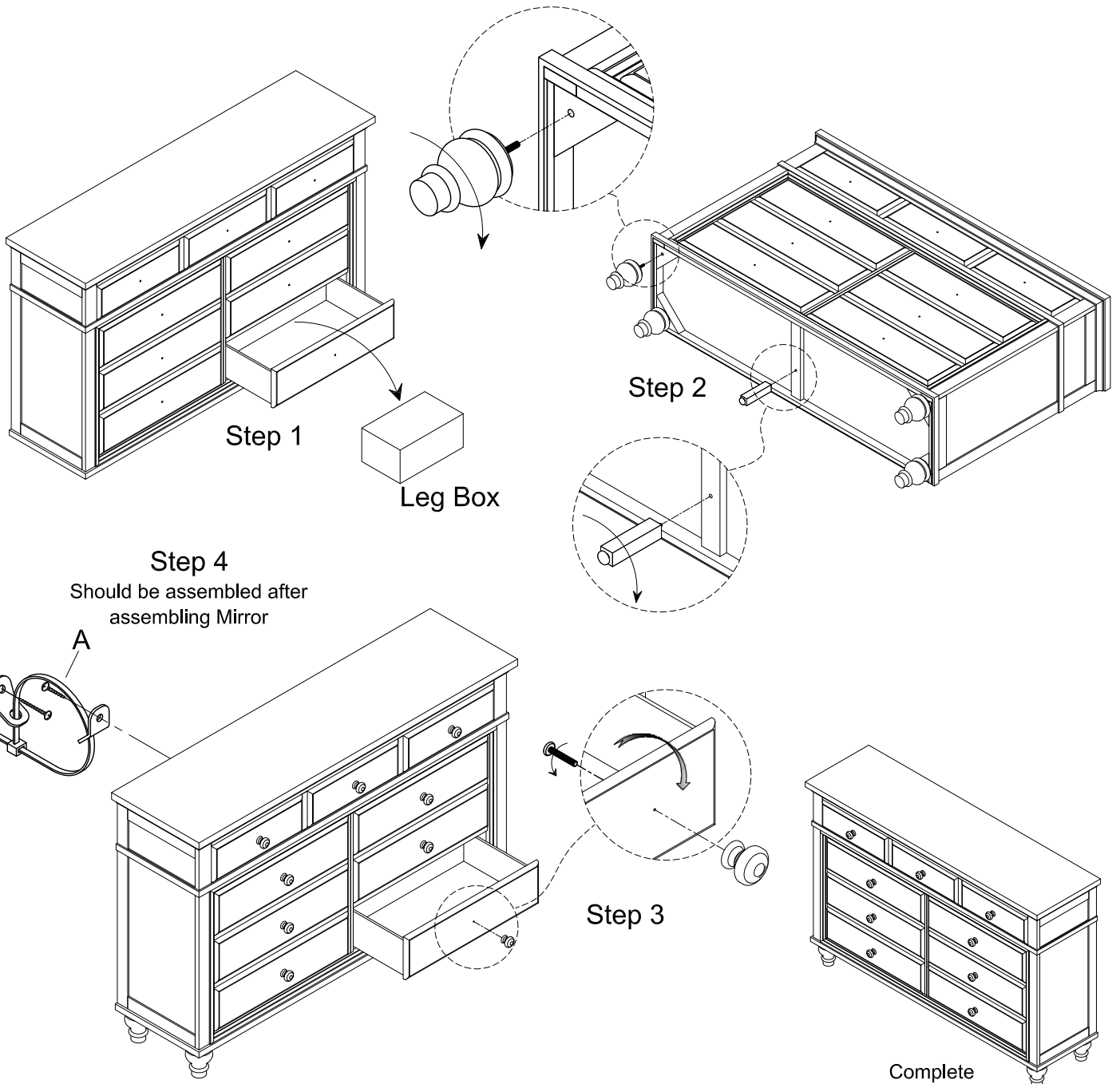
Assembly Instruction

HOUS 2055-03 Drawer Dresser SKU# 32120557
 HOUS 2054-03 Drawer Dresser SKU# 32120545

Thank you for purchasing this quality product. Be sure to check all packing materials carefully for small parts which may have come loose inside the carton during shipment. Identify and count all parts and compare with the parts list below.
 **Assemble the product on a flat, soft surface such as a carpet or cloth to prevent scratching the finish. Read all instruction and study the drawings carefully before starting the assembly process.

Hardware list

Step	Code	Hardware	Q'TY
4	A	Furniture tipping restraint 	1 set







Cleaning Instruction: Clean finished parts with a mild dishwashing liquid and water solution on a damp cloth. Polish the finish with soft cloth and an industry recognized furniture polish.

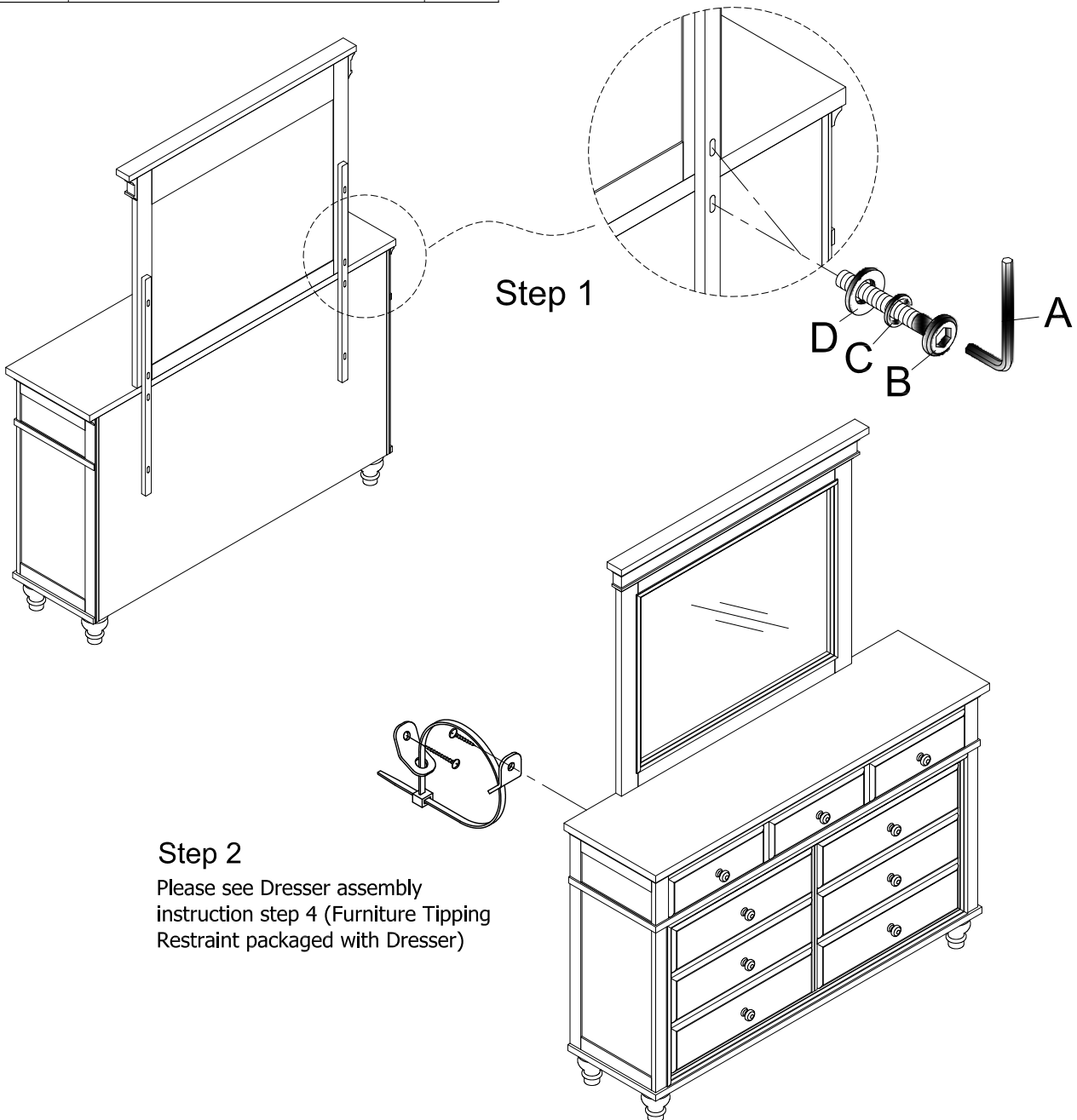
Assembly Instruction

HOUS 2055/2054-03 Drawer Dresser SKU# 32120557/32120545
 HOUS 2055/2054-04 Rectangular Mirror SKU# 32220559/32220547

Thank you for purchasing this quality product. Be sure to check all packing materials carefully for small parts which may have come loose inside the carton during shipment. Identify and count all parts and compare with the parts list below.
 **Assemble the product on a flat, soft surface such as a carpet or cloth to prevent scratching the finish. Read all instruction and study the drawings carefully before starting the assembly process.

Hardware list (Enclosed in Mirror)

Step	Code	Hardware	Q'TY
	A	Allen key 4mm 	1 pc
1	B	Bolt 1/4"x20x1-1/2" 	8pcs
1	C	Spring Washer 1/4"xφ11x2mmT 	8pcs
1	D	Flat Washer 1/4"xφ19x2mmT 	8pcs

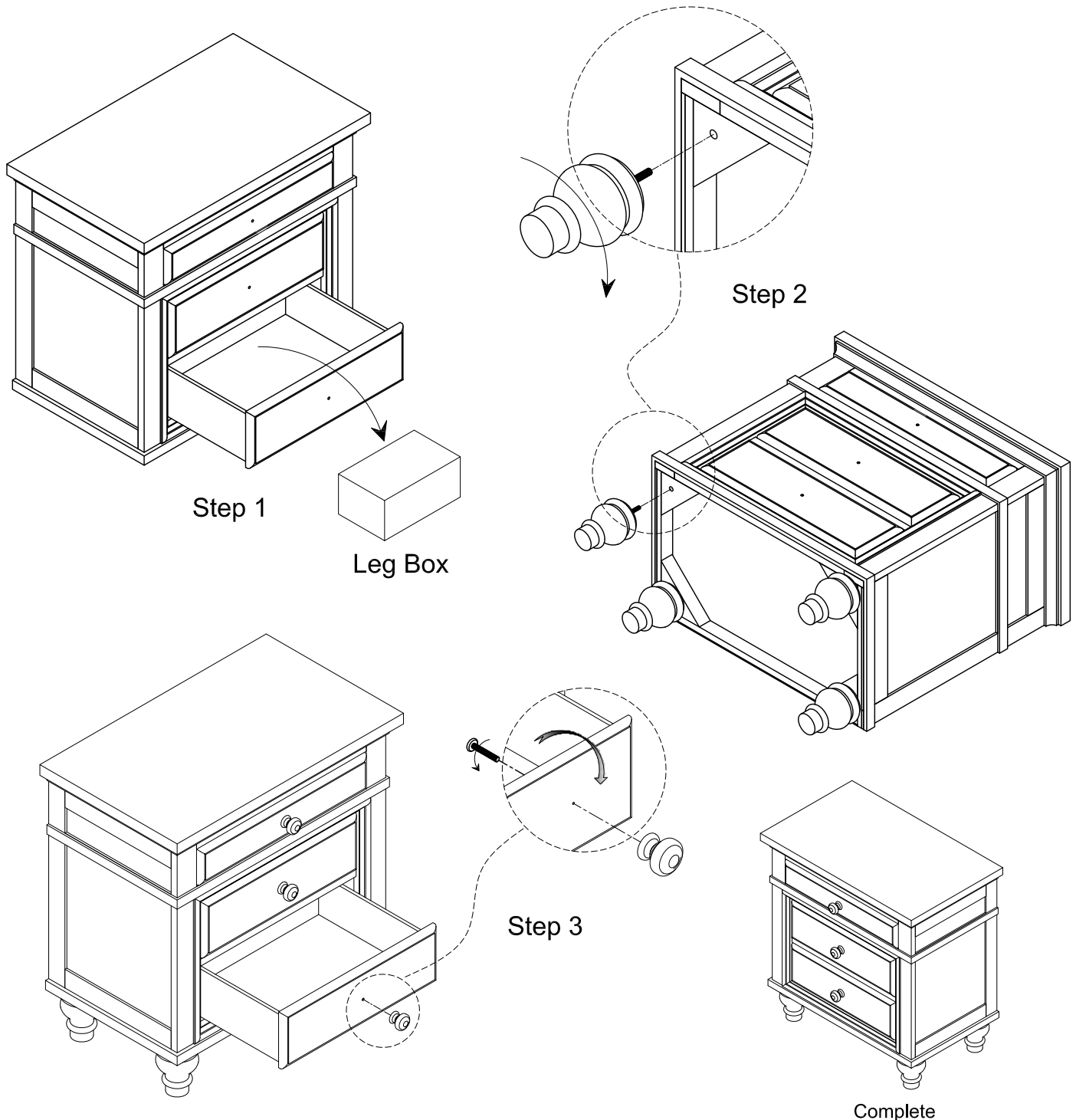


Cleaning Instruction: Clean finished parts with a mild dishwashing liquid and water solution on a damp cloth. Polish the finish with soft cloth and an industry recognized furniture polish.

Assembly Instruction

HOUS 2055-36 Night Stand SKU# 32520555
HOUS 2054-36 Night Stand SKU# 32520543

Thank you for purchasing this quality product. Be sure to check all packing materials carefully for small parts which may have come loose inside the carton during shipment. Identify and count all parts and compare with the parts list below.
**Assemble the product on a flat, soft surface such as a carpet or cloth to prevent scratching the finish. Read all instruction and study the drawings carefully before starting the assembly process.



Cleaning Instruction: Clean finished parts with a mild dishwashing liquid and water solution on a damp cloth. Polish the finish with soft cloth and an industry recognized furniture polish.