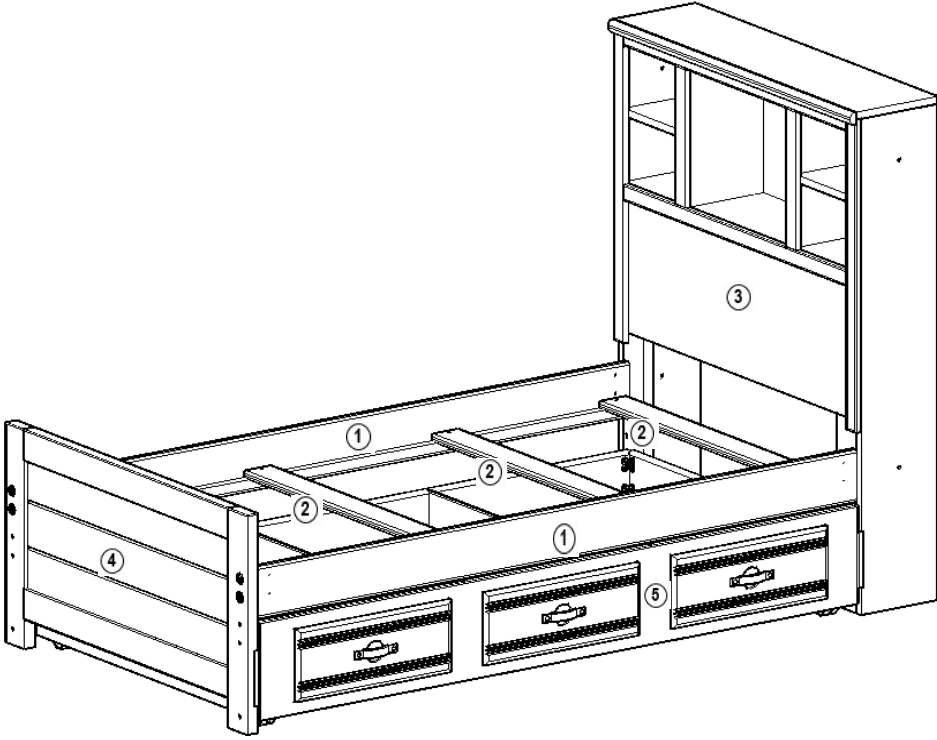


PARTS LIST

3464040P TWIN BOOKCASE BED CHARCOAL		
RTG SKU #	STYLE #	ITEM DESCRIPTION
34640400	40G-812	TWIN BOOKCASE HEADBOARD
34740402	40G-116	TWIN FOOTBOARD
35140401	40G-939	2 PC. SIDE RAILS
38000232	100-645	TW. SLAT PACK (4)
35440407	40G-744	TRUNDLE BED ADD ON



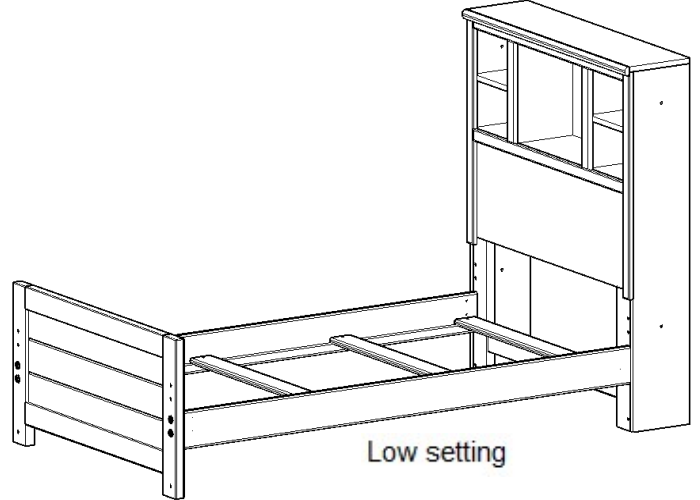
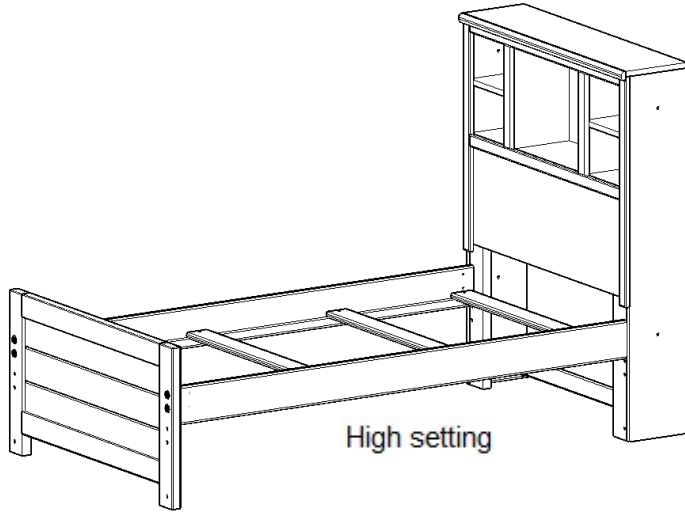
3464041P TWIN BOOKCASE BED CHESTNUT		
RTG SKU #	STYLE #	ITEM DESCRIPTION
34640412	40B-812	TWIN BOOKCASE HEADBOARD
34740414	40B-116	TWIN FOOTBOARD
35140413	40B-939	2 PC. SIDE RAILS
38000232	100-645	TW. SLAT PACK (4)
35440419	40B-744	TRUNDLE BED ADD ON

WARNING:
THE BED SLATS WILL NOT SUPPORT A MATTRESS ALONE, THIS BED REQUIRES A BOX SPRING OR BUNKIE BOARD. SOLD SEPARATELY

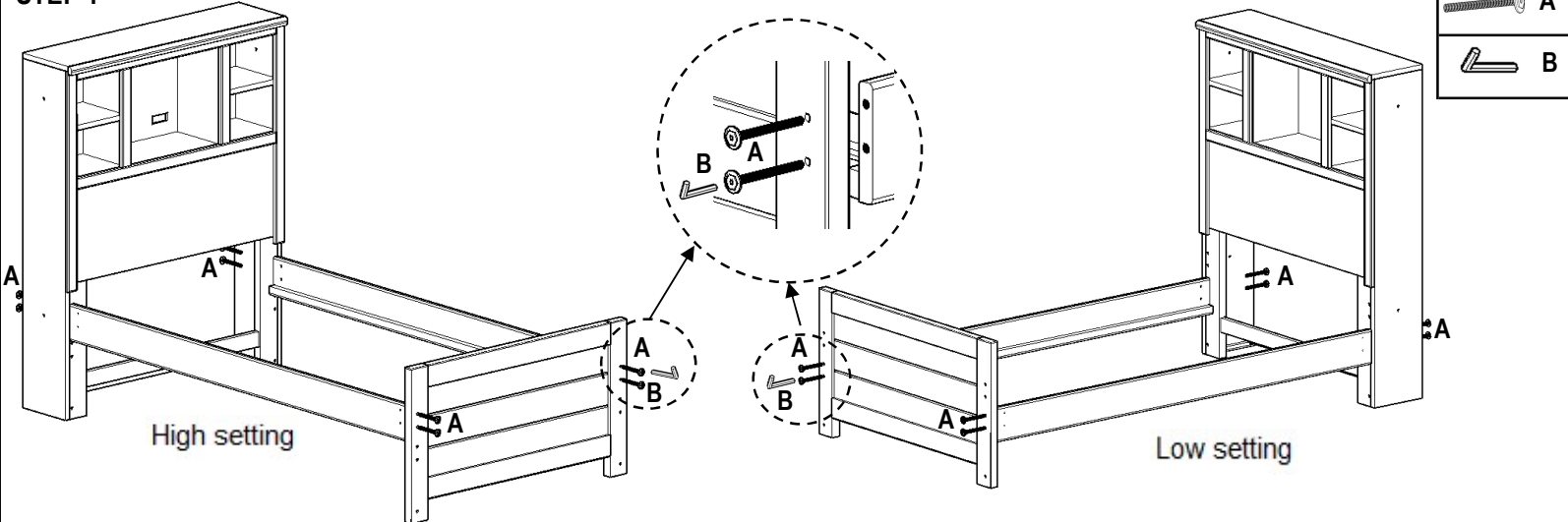
PARTS LIST	QTY	PARTS LIST	QTY	HARDWARE LIST	QTY	TOOLS NEEDED
1		 Side rails	2 Pcs	A		Phillips screwdriver (not included)
2		 Twin slats	4 Pcs	B		Allen wrench (included)
3		 Twin bookcase hdbd	1 Pc	C		
4		 Twin footboard	1 Pc	5/16"-18 x 2 3/8" Bolt	8 Pcs	
5		 Trundle bed (Optional)	1 Pc	Allen wrench	1 Pc	
				1 1/4" Screws	8 Pcs	

ASSEMBLY INSTRUCTIONS

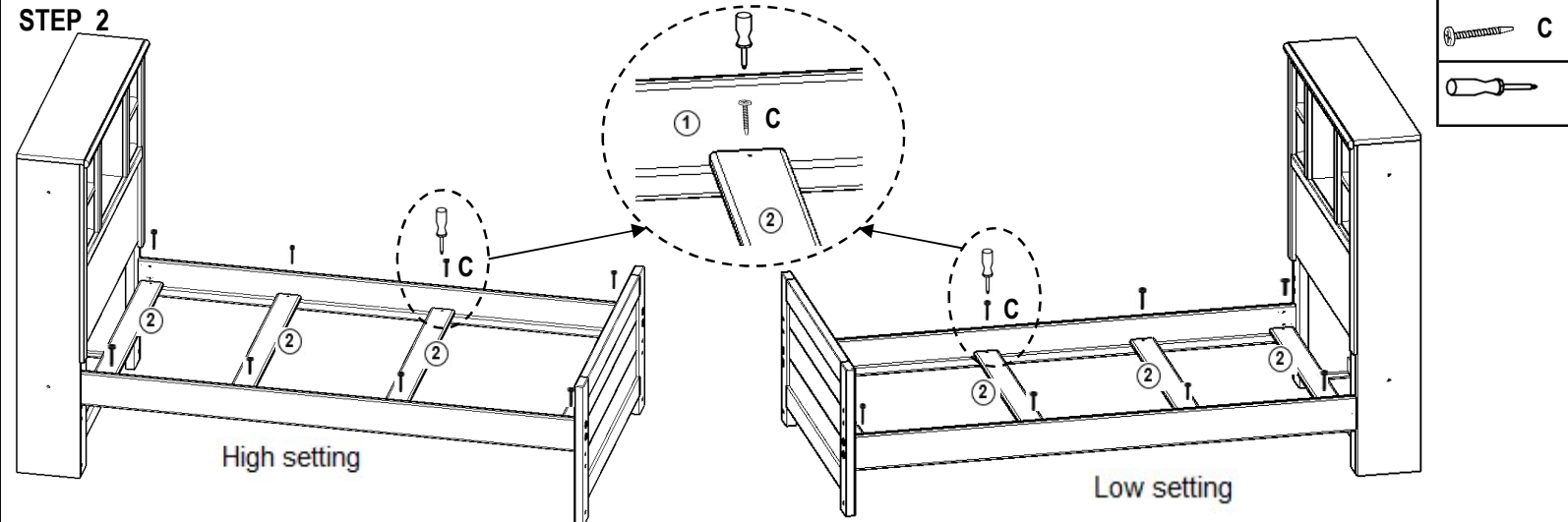
THERE ARE TWO POSSIBLE SETTINGS, HIGH AND LOW SIDE RAIL SETTINGS
IF YOU PURCHASE A TRUNDLE BED DO HIGH SETTINGS,
IF NOT DO LOW SETTINGS.



STEP 1



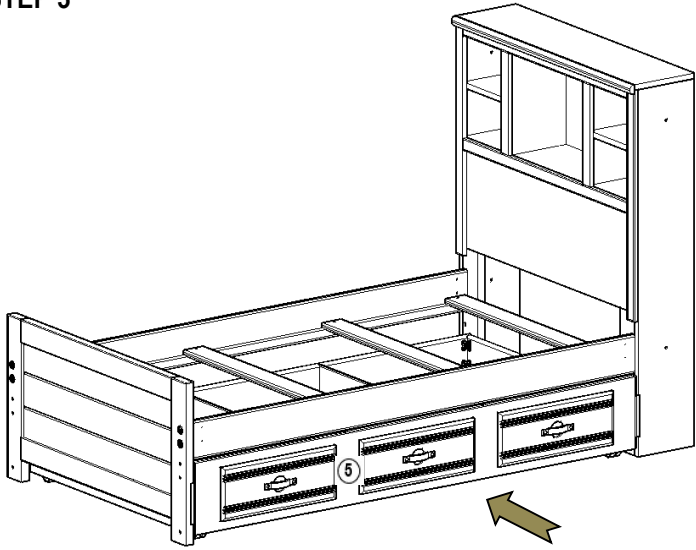
STEP 2



Install slats, one on each end, two equally spaced in the middle, then fasten with 1 1/4" screws.

ASSEMBLY INSTRUCTIONS

STEP 3



For **optional** Trundle bed follow assembly instructions inside Trundle bed box, then slide under the bed as shown.