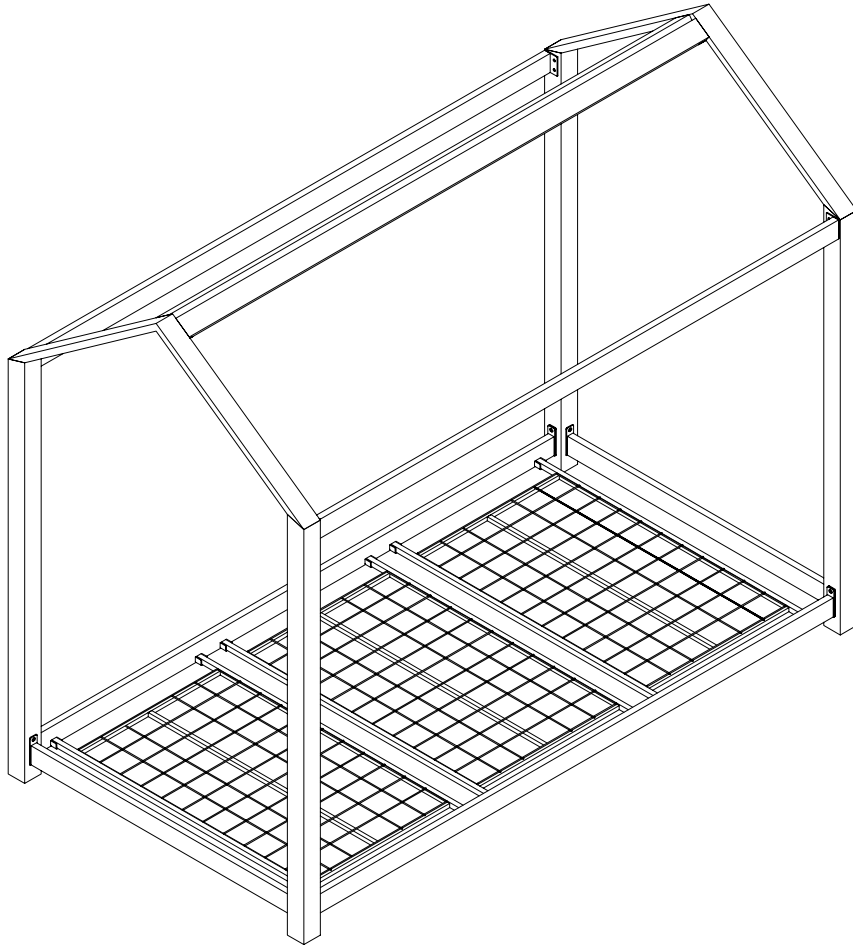

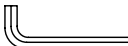


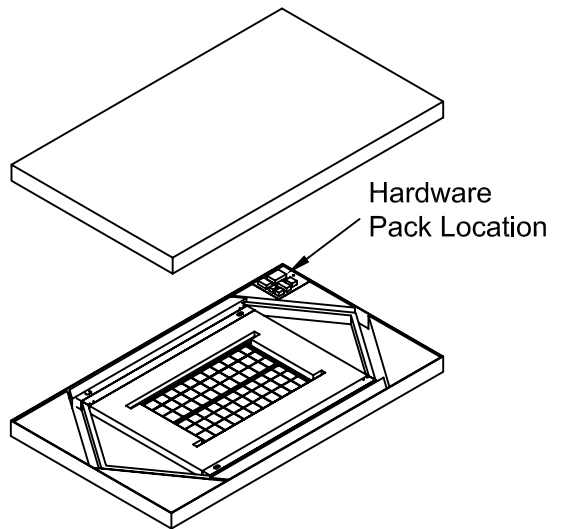
# STORYBOOK TWIN HOUSE BED



## Hardware Pack Location:

SKU#	STYLE#	DESCRIPTION	COLOR
34641630	41632W	TWIN HOUSE BED	WHITE
34641642	41632P	TWIN HOUSE BED	PINK
34641654	41632B	TWIN HOUSE BED	SKY BLUE

HARDWARE LIST			
NO.	ITEM DESCRIPTION	IMAGE	QTY
A	1/4"x20x5/8"		32PCS
B	4x4mm Allen Wrench		1PC

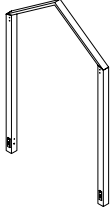
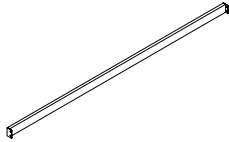
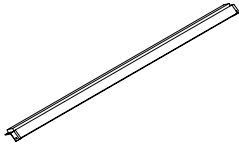
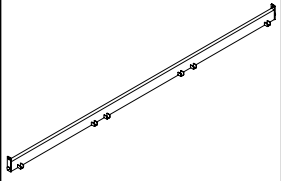
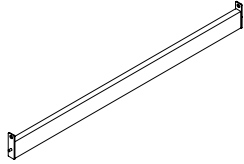
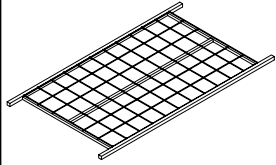


DO NOT USE SUBSTITUTE PARTS. PLEASE CONTACT YOUR RETAIL STORE OR [WWW.ROOMSTOGO.COM](http://WWW.ROOMSTOGO.COM) WITH SERVICE OR PARTS REPLACEMENT REQUEST

This product is manufactured by WRLW for **ROOMS TO GO** | **KIDS**

# Parts List

SKU# 34641630(WHITE) / 34641642(PINK) / 34641654(SKY BLUE)

STYLE#	PART#	DESCRIPTION	IMAGE	QTY
41632W/ 41632P/ 41632B	1	END PANEL		2
	2	UPPER BAR		2
	3	TOP CROSS BAR		1
	4	BOTTOM BAR		2
	5	BOTTOM SIDE BAR		2
	6	BASE FRAME		3

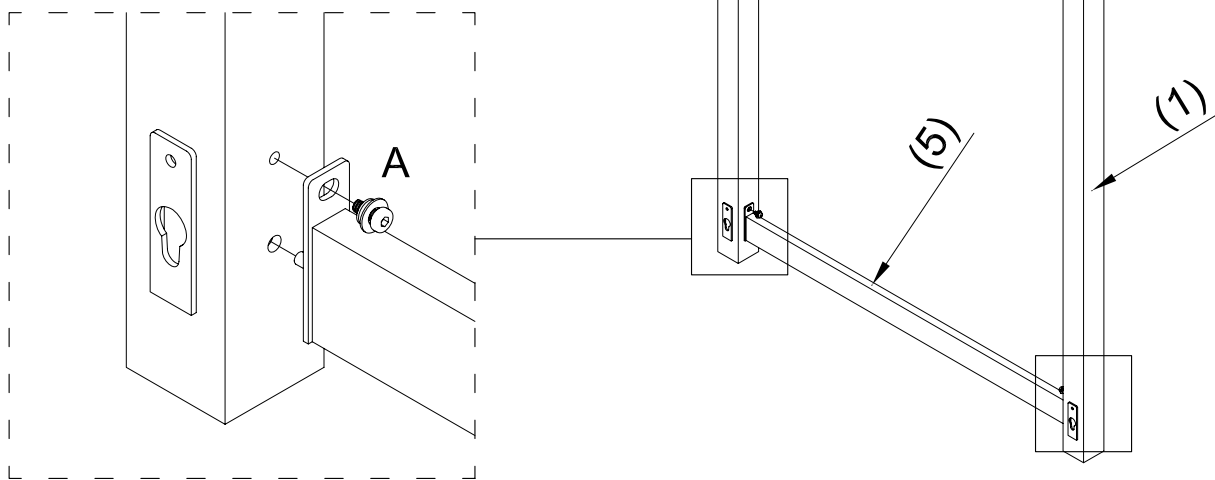
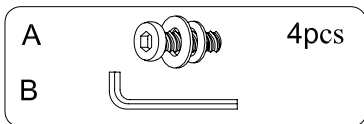
DO NOT USE SUBSTITUTE PARTS. PLEASE CONTACT YOUR RETAIL STORE OR [WWW.ROOMSTOGO.COM](http://WWW.ROOMSTOGO.COM)  
WITH SERVICE OR PARTS REPLACEMENT REQUEST

This product is manufactured by WRLW for **ROOMS TO GO** | **KIDS**

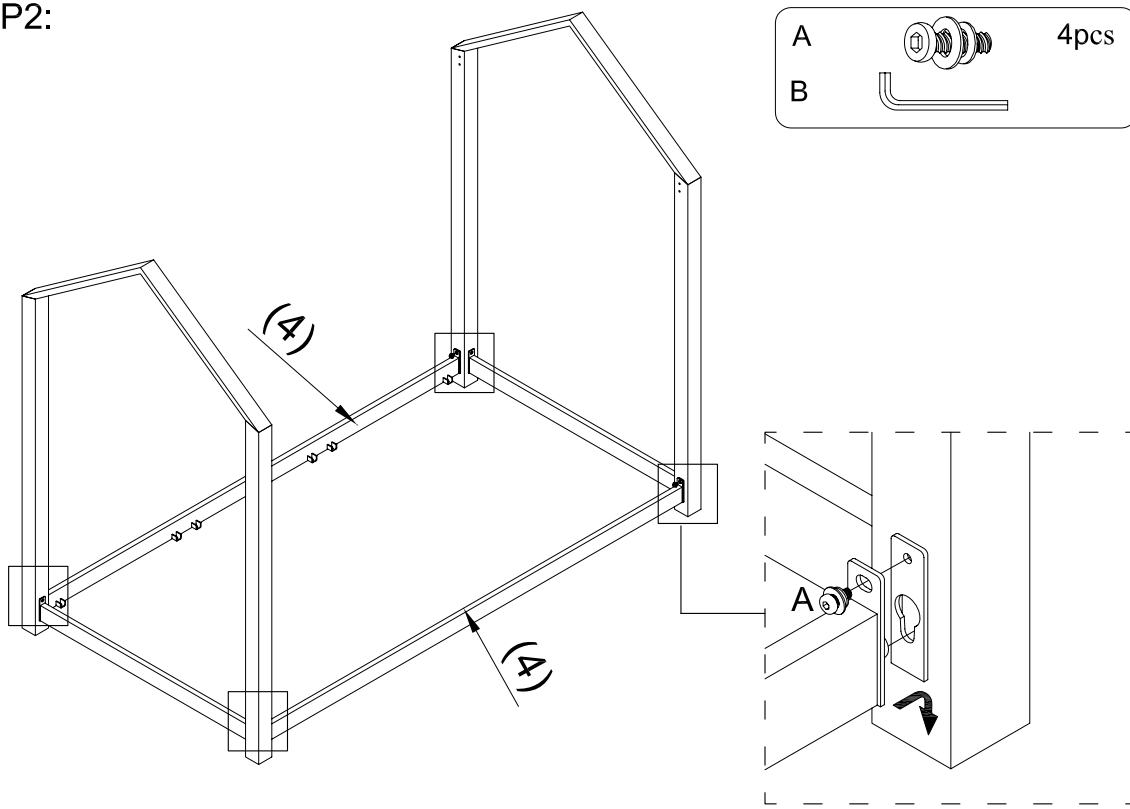
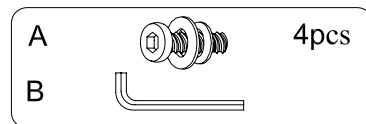
# Assembly Instructions:

## STEP1:

Do not fully tighten all bolts until assembly is complete. This will help all parts to assemble properly.



## STEP2:

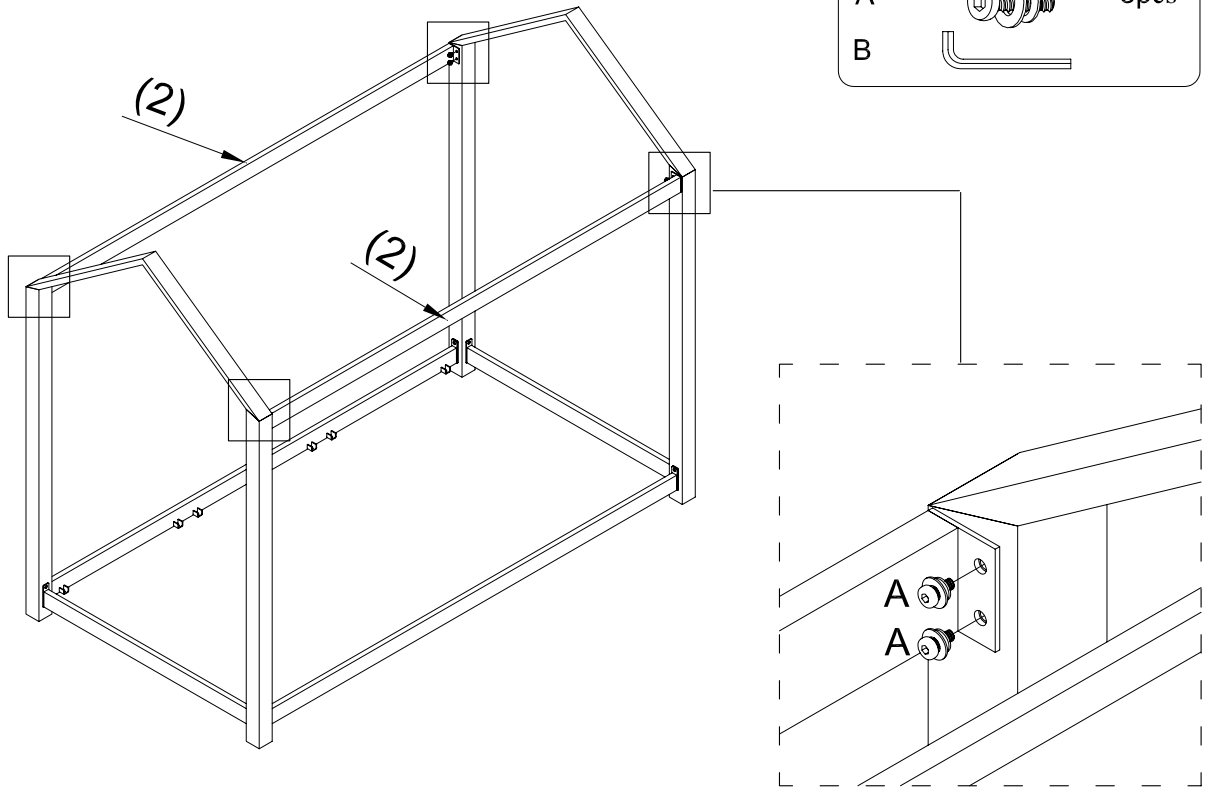


DO NOT USE SUBSTITUTE PARTS. PLEASE CONTACT YOUR RETAIL STORE OR [WWW.ROOMSTOGO.COM](http://WWW.ROOMSTOGO.COM) WITH SERVICE OR PARTS REPLACEMENT REQUEST

This product is manufactured by WRLW for **ROOMS TO GO** | **KIDS**

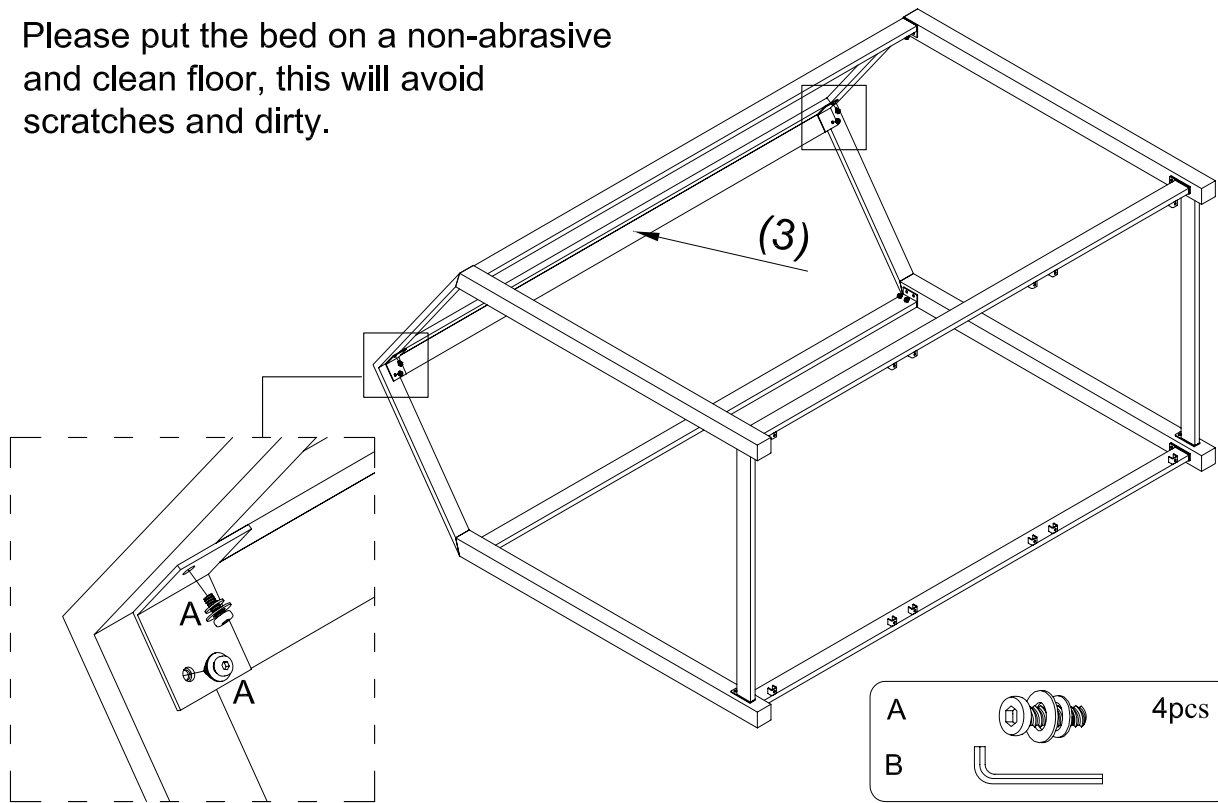
# Assembly Instructions:

## STEP3:



## STEP4:

Please put the bed on a non-abrasive and clean floor, this will avoid scratches and dirty.

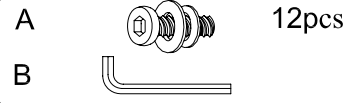
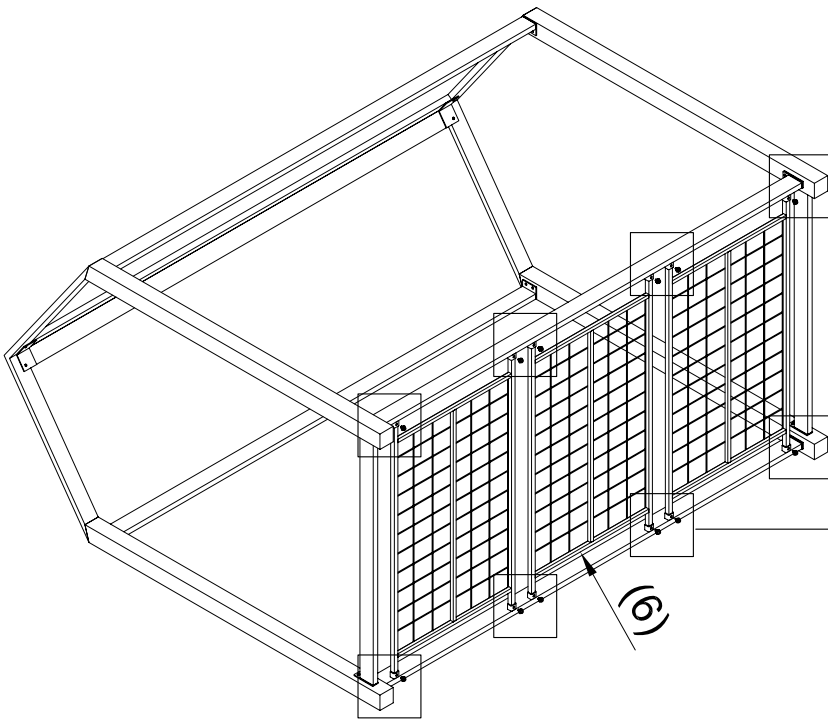


DO NOT USE SUBSTITUTE PARTS. PLEASE CONTACT YOUR RETAIL STORE OR [WWW.ROOMSTOGO.COM](http://WWW.ROOMSTOGO.COM) WITH SERVICE OR PARTS REPLACEMENT REQUEST

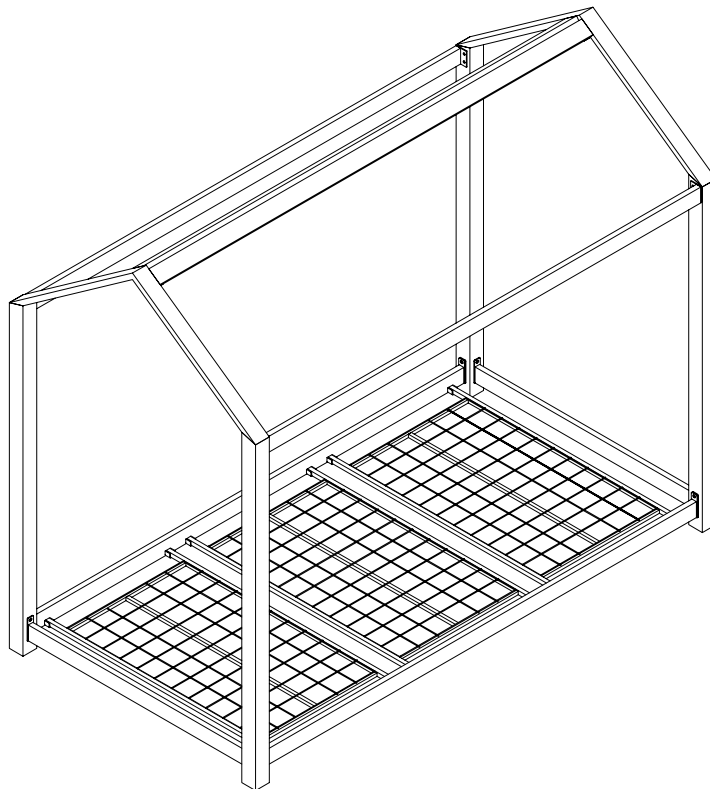
This product is manufactured by WRLW for **ROOMS TO GO** | **KIDS**

# Assembly Instructions:

STEP5:



STEP6:



DO NOT USE SUBSTITUTE PARTS. PLEASE CONTACT YOUR RETAIL STORE OR [WWW.ROOMSTOGO.COM](http://WWW.ROOMSTOGO.COM) WITH SERVICE OR PARTS REPLACEMENT REQUEST