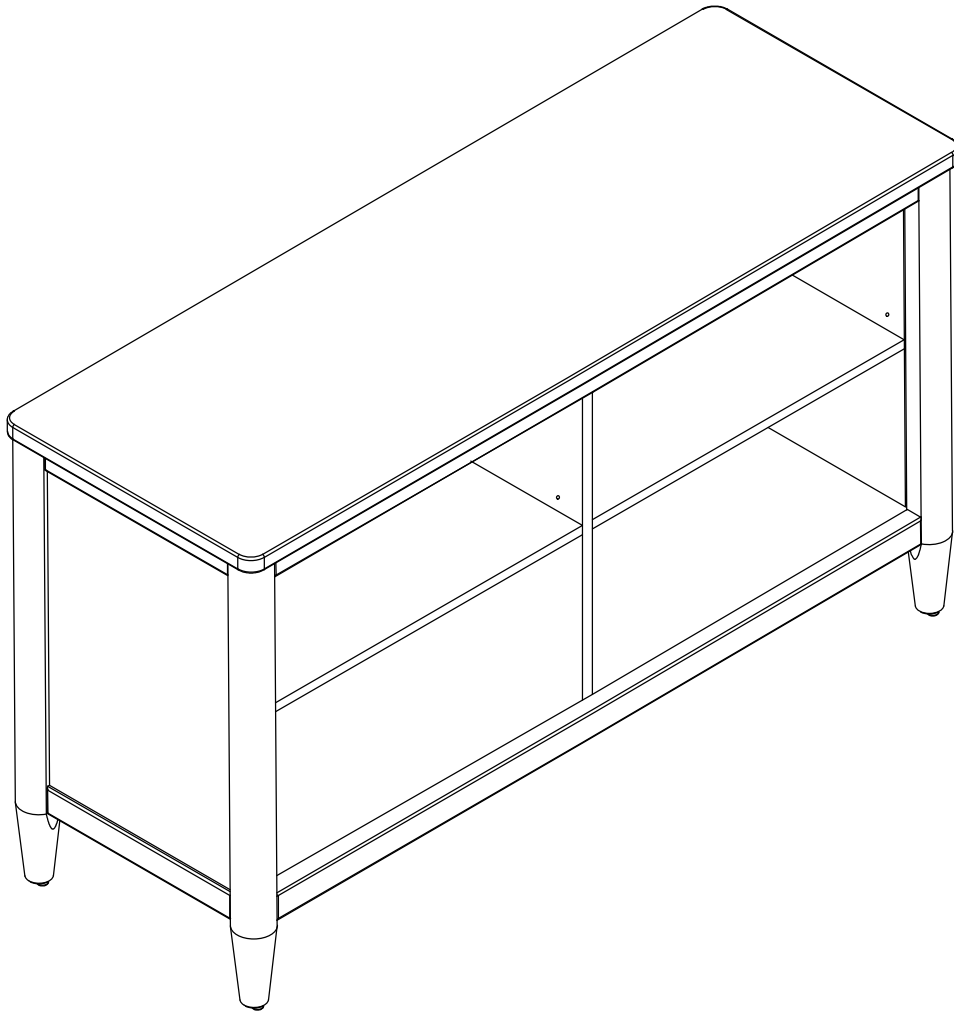


# MODERN COLORS

## 52" BOOKCASE



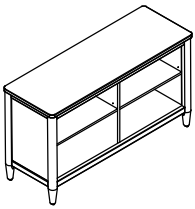

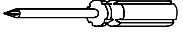

SKU#	STYLE	COLOR	ITEM DESCRIPTION
34642543	425BC52-W	WHITE	52" BOOKCASE
34642531	425BC52-G	LIGHT GRAY	52" BOOKCASE
34642579	425BC52-PK	PINK	52" BOOKCASE
34642517	425BC52-IO	IRON ORE	52" BOOKCASE
34642529	425BC52-SB	SLATE BLUE	52" BOOKCASE

DO NOT USE SUBSTITUTE PARTS. PLEASE CONTACT YOUR RETAIL STORE OR [WWW.ROOMSTOGO.COM](http://WWW.ROOMSTOGO.COM) WITH SERVICE OR PARTS REPLACEMENT REQUEST.

This product is manufactured by (JSFC) for **ROOMS TO GO® | KIDS**

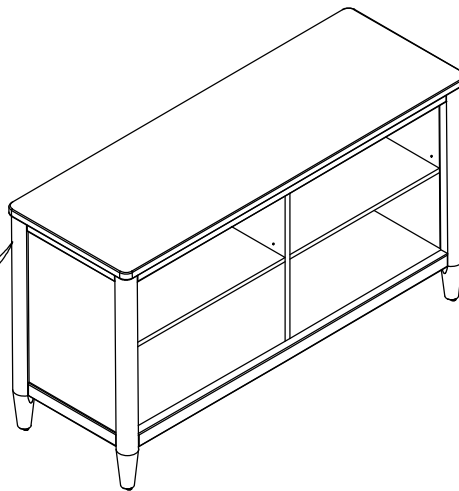
# MODERN COLORS

## 52" BOOKCASE

BOOKCASE PART LIST				HARDWARE LIST			
	ITEM DESCRIPTION	IMAGE	QTY		ITEM DESCRIPTION	IMAGE	QTY
A	BOOKCASE		1 PC	1	TIPPING RESTRAINT (CUSTOMER TO ASSEMBLE)		1 SET
				2	PHILIPS SCREWDRIVER (NOT PROVIDED)		1 PC
				3	SCREW M3.5x1/2"L		8 PCS

### HARDWARE PACK LOCATION

SKU#	STYLE	COLOR	ITEM DESCRIPTION
34642543	425BC52-W	WHITE	52" BOOKCASE
34642531	425BC52-G	LIGHT GRAY	52" BOOKCASE
34642579	425BC52-PK	PINK	52" BOOKCASE
34642517	425BC52-IO	IRON ORE	52" BOOKCASE
34642529	425BC52-SB	SLATE BLUE	52" BOOKCASE



**NOTE: ANTI-TIPPING KIT HARDWARE PACK IS LOCATED AT THE BACK OF THE PRODUCT**

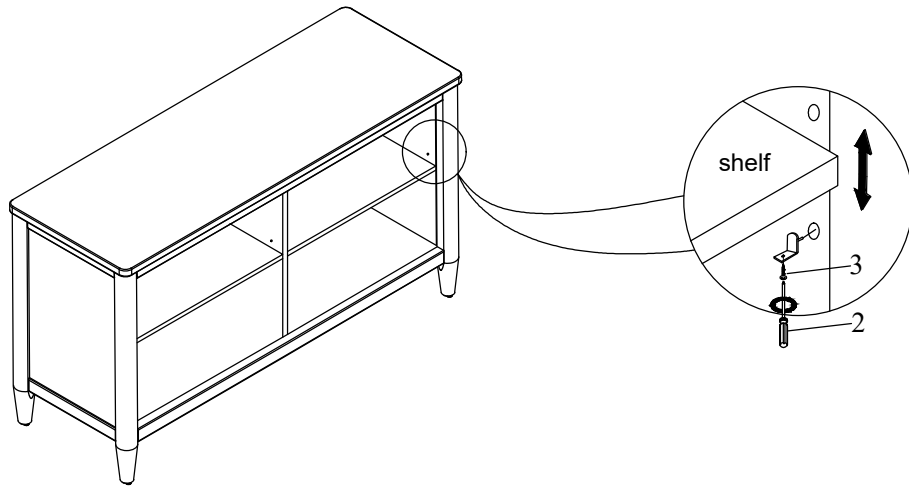
DO NOT USE SUBSTITUTE PARTS. PLEASE CONTACT YOUR RETAIL STORE OR [WWW.ROOMSTOGO.COM](http://WWW.ROOMSTOGO.COM) WITH SERVICE OR PARTS REPLACEMENT REQUEST.

This product is manufactured by (JSFC) for **ROOMS TO GO® | KIDS**

Thank you for purchasing this quality product. Be sure to check all packing material carefully for small parts which may have come loose inside the carton during shipment. Identify and count all parts and compare with the parts list below. Read all instructions before assembling bed and keep these instruction for future reference.

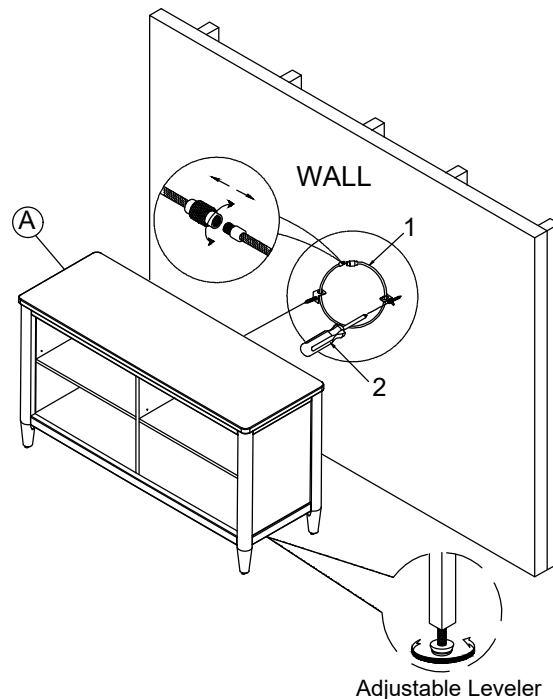
## Assembly Instructions:

### STEP 1



To adjust shelf position: Remove the set screw from the bottom of the shelf with screwdriver (2) (not provided). Reposition the shelf and bracket to the desired holes, align, and reinstall the screw.

### STEP 2



Install Tipping Restraint (1) (Customer to Assemble) with a Philips Screwdriver (2) (Not provided) by following the assembly instructions that come in the Tipping Restraint package.

DO NOT USE SUBSTITUTE PARTS. PLEASE CONTACT YOUR RETAIL STORE OR [WWW.ROOMSTOGO.COM](http://WWW.ROOMSTOGO.COM) WITH SERVICE OR PARTS REPLACEMENT REQUEST.

This product is manufactured by (JSFC) for **ROOMS TO GO® | KIDS**