



# ASSEMBLY INSTRUCTION SKETCH

INRM - 34644004 - #400 - 930 TWIN PANEL HEADBOARD

INRM - 34744006 - #400 - 932 TWIN FOOTBOARD W/ SLATS

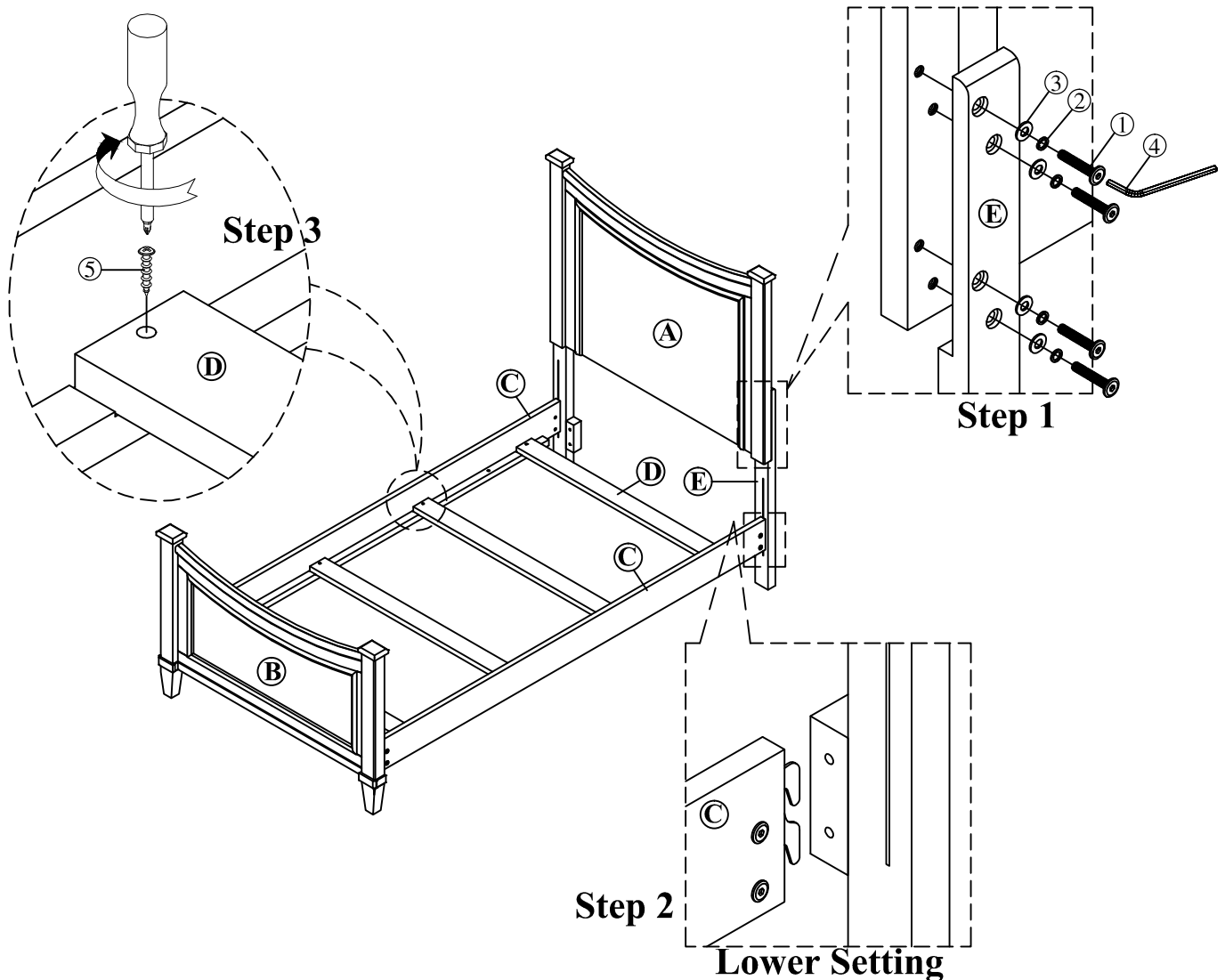
INRM - 35044003 - #400 - 036 TWIN/FULL SIDE RAILS

**Thank you for purchasing this quality product . Be sure to check all packing material carefully for small parts which may have come loose inside the carton during shipment .Identify and count all parts and compare with the parts list below .**

PARTS LIST			QTY
A	HeadBoard		1pc
B	FootBoard		1pc
C	Rails		2pcs
D	Slats		4pcs
E	HB Post	(L)	2pcs
		(R)	

HARDWARE LIST			QTY
1		φ5/16"x18x1-1/2" Bolt	8pcs
2		φ5/16"x14mm	8pcs
3		φ5/16"x18mm	8pcs
4		Allen Key 5mm	1pc
5		φ8"x1" Screw	8pcs

HARDWARE REQUIRED		QTY
6	Screwdriver (Not Provided)	1pc



\*MADE IN VIET NAM