

ROOMS TO GO  
**KIDS**  
Manufactured for Rooms to Go

# IVY LEAGUE 2.0 COLLECTION

THANK YOU FOR YOUR PURCHASE



**WARNING DANGER**

Failure to follow these warnings and assembly instructions could result in serious injury or death. To help prevent serious or fatal injuries from entrapment or falls:

- Read all instructions before assembling bunk bed and keep these instructions for future reference.
- Before each usage or assembly, inspect bunk bed for damaged hardware, loose joints, missing parts, or sharp edges. **DO NOT** Use bunk bed if any parts are missing or broken.
- **DO NOT** Use substitute parts. Contact your local Rooms To Go or visit [www.ROOMSTOGO.COM](http://www.ROOMSTOGO.COM) for replacement parts and instructional literature if needed.
- Follow the information on the warnings appearing on the upper bunk end structure and on the carton, **DO NOT REMOVE WARNING LABEL FROM BED.**
- Always use the recommended size mattress or mattress supports, or both to help prevent the likelihood of entrapment or falls.
- Ensure thickness of mattress and foundation combine does not exceed **10 inches (255mm)** and mattress surface is at least **5 inches (127mm)** below upper edge of guardrails.
- Do not allow children under 6 years of age to use the upper bunk.
- Periodically check and ensure that the guardrail, ladder, and other components are in their proper position, free from damage, and that all connectors are tight.
- Do not allow horseplay on or under the bed and prohibit jumping on the bed.
- Limit top bunk use to one person.
- Always use the ladder for entering and leaving the upper bunk.
- Use of night light may provide added safety precaution for a child using the upper bunk.
- Always use guardrails on both long sides of the upper bunk. If the bunk bed will be placed next to the wall, the guardrail that runs the full length of the bed should be placed against the wall to prevent entrapment between the bed and wall.
- The use of water or sleep flotation mattress is prohibited.
- This bunk bed meets all the requirements of ASTM 1427-19.



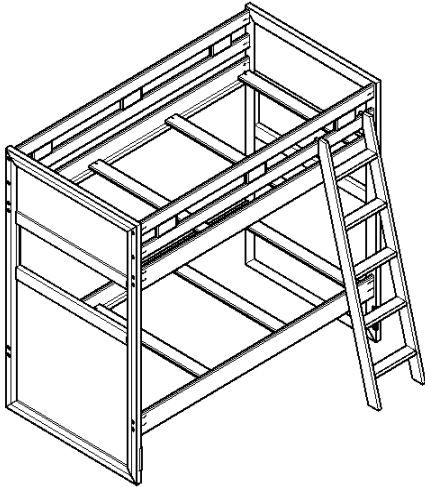
**STRANGULATION HAZARD:**

Never attach or hang items to any part of the bunk bed that are not designed for use with the bed; for example, but not limited to, hooks, belts, and jump ropes.

# CONFIGURATIONS

Choose your configuration, read all the instructions, identify all components, and be sure you have all parts prior to assembly

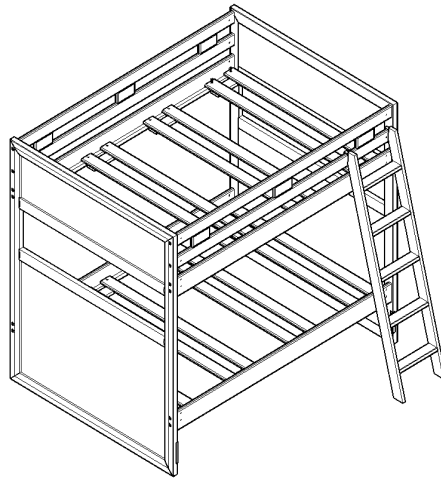
Reference page 4-6 for assembly steps



TWIN/TWIN BUNK

3462360P WALNUT 3461326P WHITE

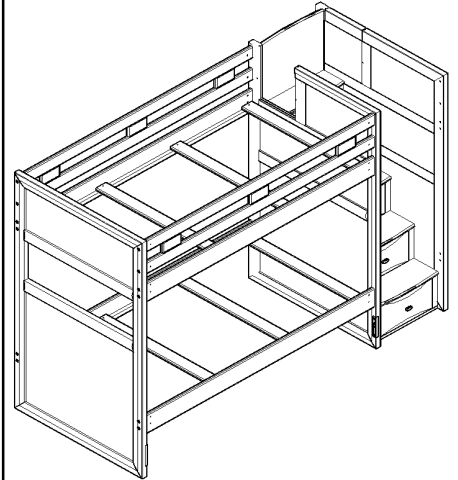
Reference page 7-9 for assembly steps



FULL / FULL BUNK

3472360P WALNUT 3471326P WHITE

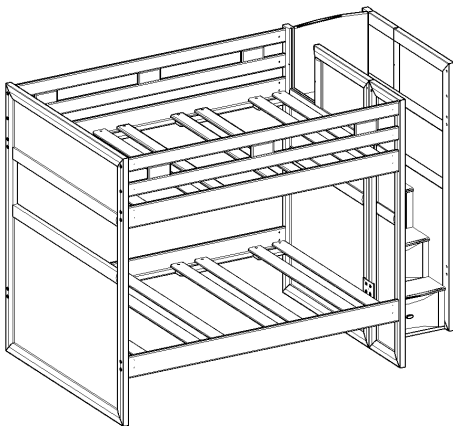
Reference page 10-12 for assembly steps



TWIN / TWIN STEP BUNK

3482360P WALNUT 3481326P WHITE

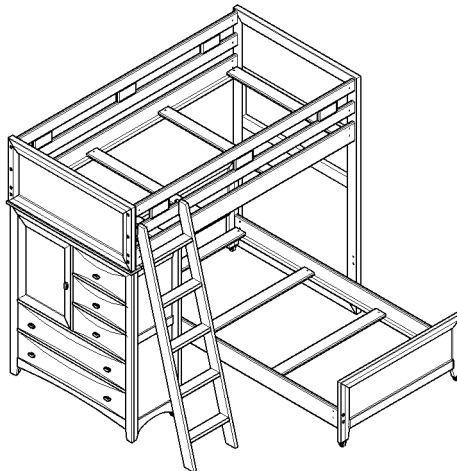
Reference page 13-16 for assembly steps



FULL / FULL STEP BUNK BED

3492360P WALNUT 3491326P WHITE

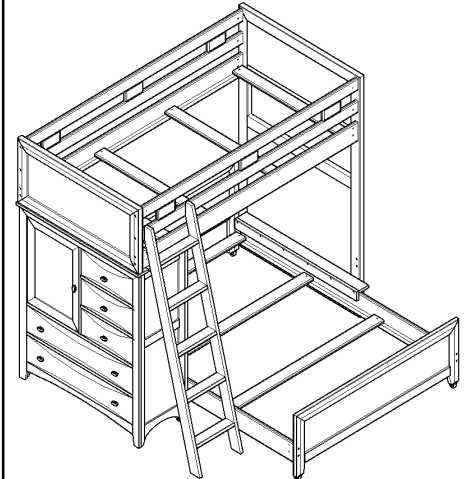
Reference page 17-20 for assembly steps



TWIN / TWIN LOFT W/CHEST

3512360P WALNUT 3511326P WHITE

Reference page 21-24 for assembly steps



TWIN / FULL LOFT W/CHEST

3522360P WALNUT 3521326P WHITE

Reference page 25-28 for assembly steps



TWIN/TWIN LOFT W/2 CHEST

3532360P WALNUT 3531326P WHITE

Reference page 29-33 for assembly steps



FULL/TWIN LOFT W/CHEST-BOOKCASE

3552360P WALNUT 3551326P WHITE

Reference page 34-38 for assembly steps



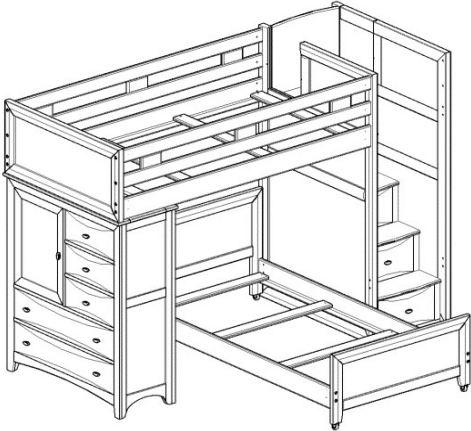
FULL/FULL LOFT W/CHEST-BOOKCASE

3562360P WALNUT 3561326P WHITE

# CONFIGURATIONS

Choose your configuration, read all the instructions, identify all components, and be sure you have all parts prior to assembly

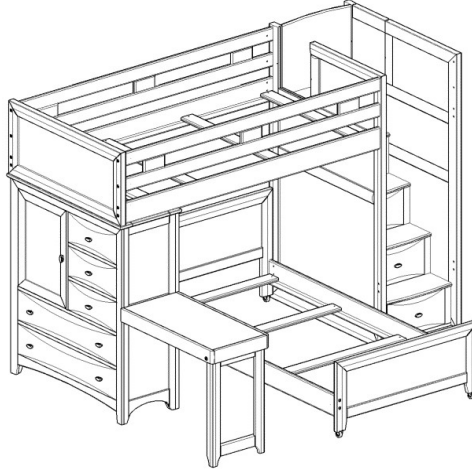
Reference page 39-42 for assembly steps



TWIN/TWIN STEP LOFT W/CHEST

3592360P WALNUT 3591326P WHITE

Reference page 39-44 for assembly steps



TWIN/TWIN STEP LOFT W/CHEST-DESK ATTACHMENT

3602360P WALNUT 3601326P WHITE

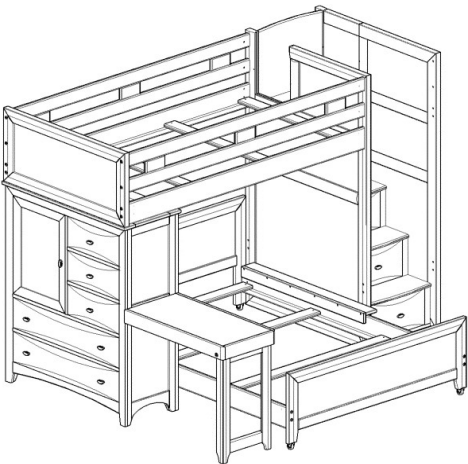
Reference page 45-48 for assembly steps



TWIN/FULL STEP LOFT BED W/CHEST

PENDING WALNUT PENDING WHITE

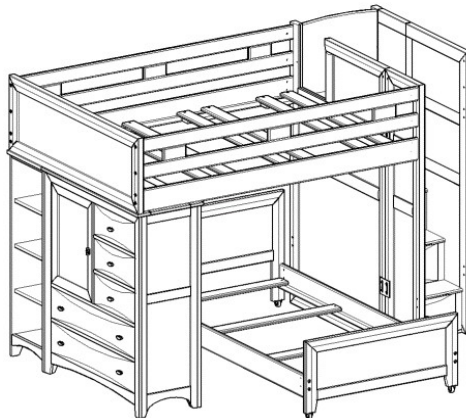
Reference page 45-50 for assembly steps



TWIN/FULL STEP LOFT W/CHEST-DESK ATTACHMENT

3622360P WALNUT 3621326P WHITE

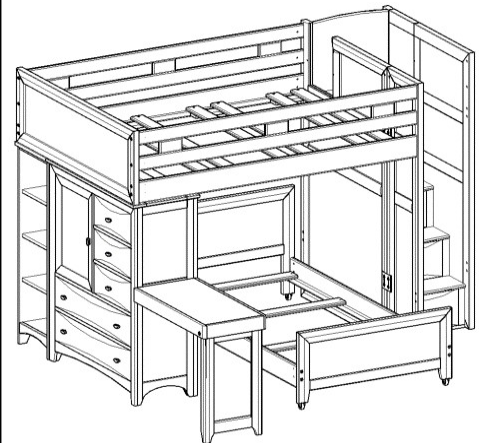
Reference page 51-68 for assembly steps



FULL/TWIN STEP LOFT W/CHEST-BOOKCASE

3652360P WALNUT 3651326P WHITE

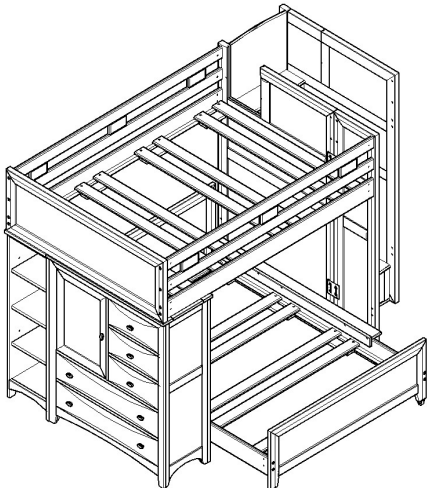
Reference page 51-60 for assembly steps



FULL/TWIN STEP LOFT W/CHEST-BOOKCASE-DESK ATTACHMENT

3662360P WALNUT 3661326P WHITE

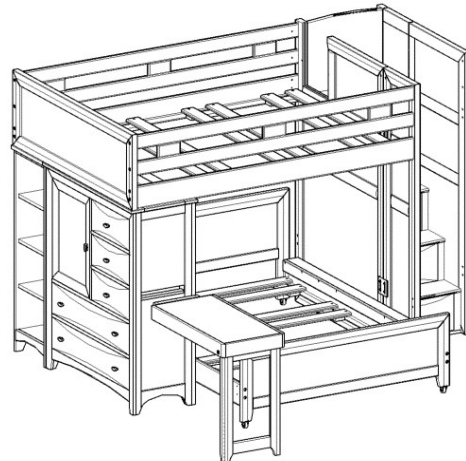
Reference page 61-68 for assembly steps



FULL/FULL STEP LOFT W/CHEST-BOOKCASE

3672360P WALNUT 3671326P WHITE

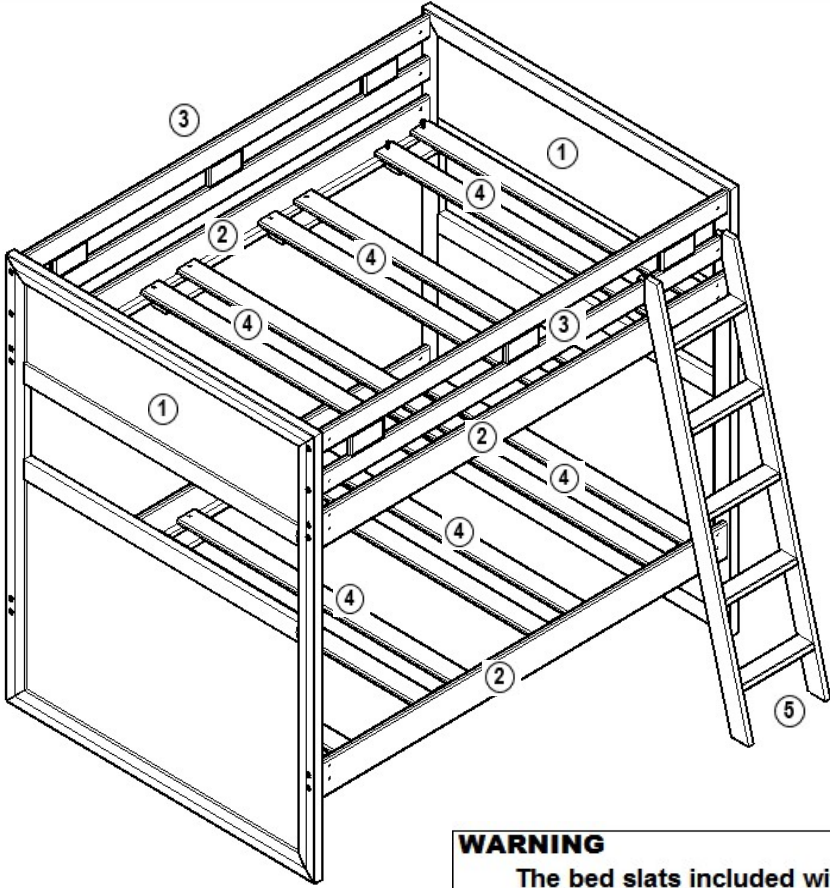
Reference page 61-70 for assembly steps



FULL/FULL STEP LOFT W/CHEST-BOOKCASE-DESK ATTACHMENT

PENDING WALNUT PENDING WHITE

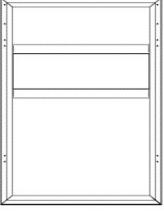




# PARTS LIST










3472360P FULL/FULL BUNK WALNUT		
RTG SKU #	STYLE #	ITEM DESCRIPTION
35523605	3260704	FULL BUNKBED END
35523605	3260704	FULL BUNKBED END
36723600	3260720	LADDER
36623608	3260730	4 SIDE RLS/2 GUARD RLS
38300238	100-648	FULL BUNK SLATS
38300238	100-648	FULL BUNK SLATS

3471326P FULL/FULL BUNK WHITE		
RTG SKU #	STYLE #	ITEM DESCRIPTION
35513262	3261704	FULL BUNK BED END
35513262	3261704	FULL BUNK BED END
36713267	3261720	LADDER
36613265	3261730	4 SIDE RLS/2 GUARD RLS
38300238	100-648	FULL BUNK SLATS
38300238	100-648	FULL BUNK SLATS

**WARNING**  
 The bed slats included with this bed will not support a mattress alone, this bed requires Bunkie boards (sold separately)

PARTS LIST		QTY
1	 Twin bunk bed end	2 Pcs
2	 Side rails	4 Pcs
3	 Guardrails	2 Pcs
4	 Slats	8 Pcs
5	 Ladder	1 Pc

HARDWARE LIST		QTY	TOOLS NEEDED
A	 50 mm Bolts	24 Pcs	Phillips screwdriver (not included) 
B	 Allen wrench	1 Pc	Allen wrench (included) 
C	 1 1/4" Screws	16 Pcs	
D	 1" Screws	6 Pcs	
E	 Ladder Hook	2 Pcs	

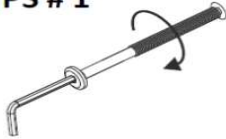
**TWO PEOPLE ARE NEEDED TO ASSEMBLE**  
**DO NOT TIGHTEN COMPLETELY UNTIL ALL PIECES**  
**ARE CONNECTED TOGETHER**

# ASSEMBLY INSTRUCTIONS

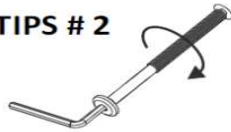
TIPS : SEE ILLUSTRATION BELOW

- 1- Use the long end of the allen wrench to fasten bolts loosely and quickly.
- 2- Use the short end of the allen wrench for final tightening

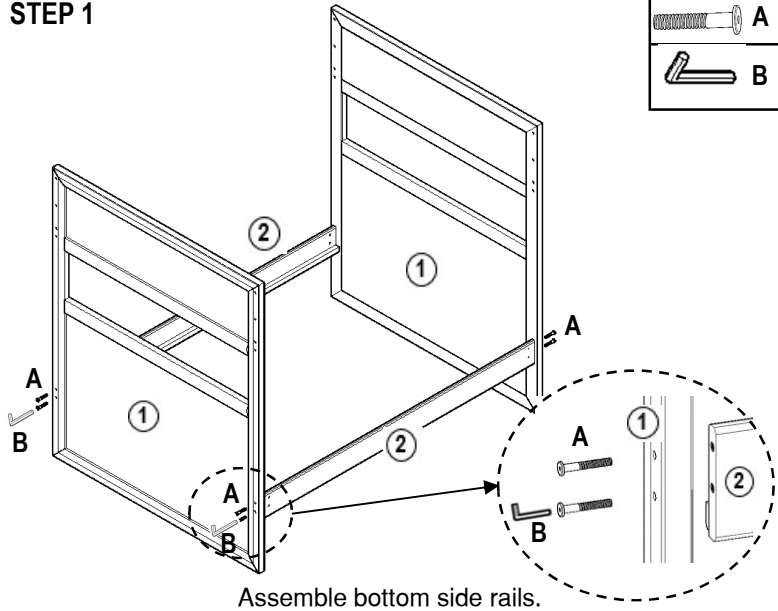
TIPS # 1



TIPS # 2

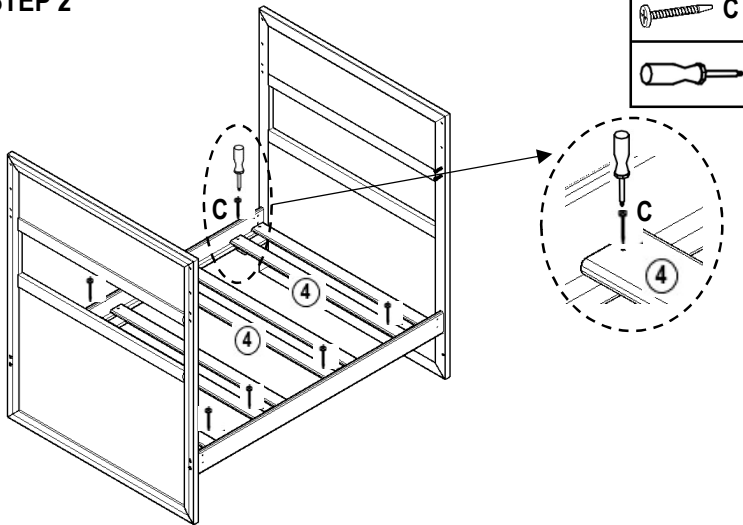


STEP 1



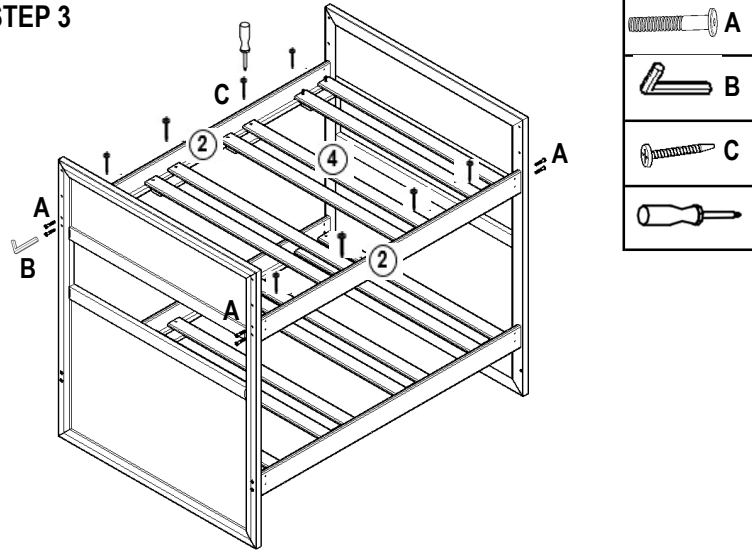
Assemble bottom side rails.

STEP 2



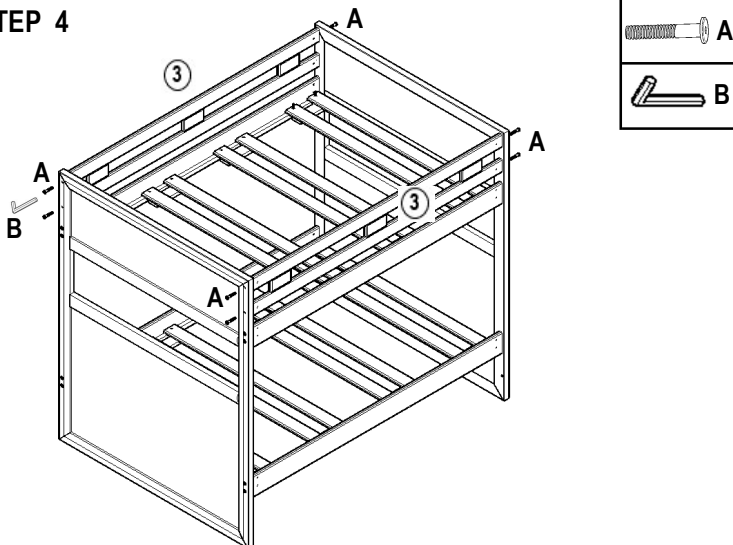
Install slats, one on each end, two equally spaced in the middle, then fasten with 1 1/4" screws

STEP 3



Repeat step 1 & 2 for top set of side rails

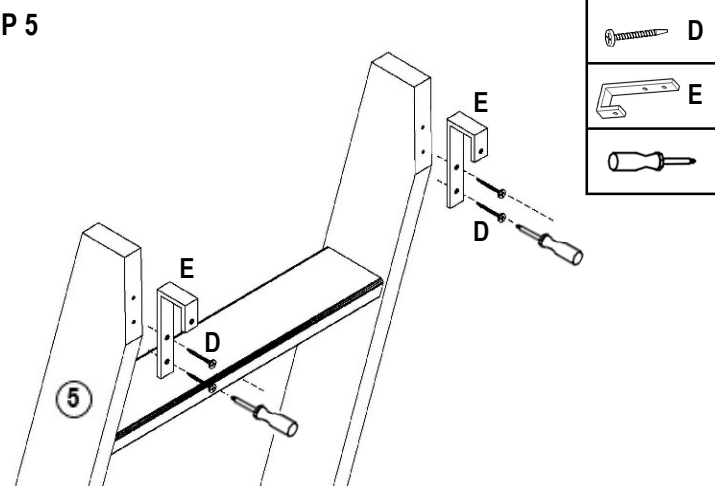
STEP 4



Assemble guardrails and tighten all bolts.

**MAKE SURE ALL BOLTS ARE TIGHTENED COMPLETELY**

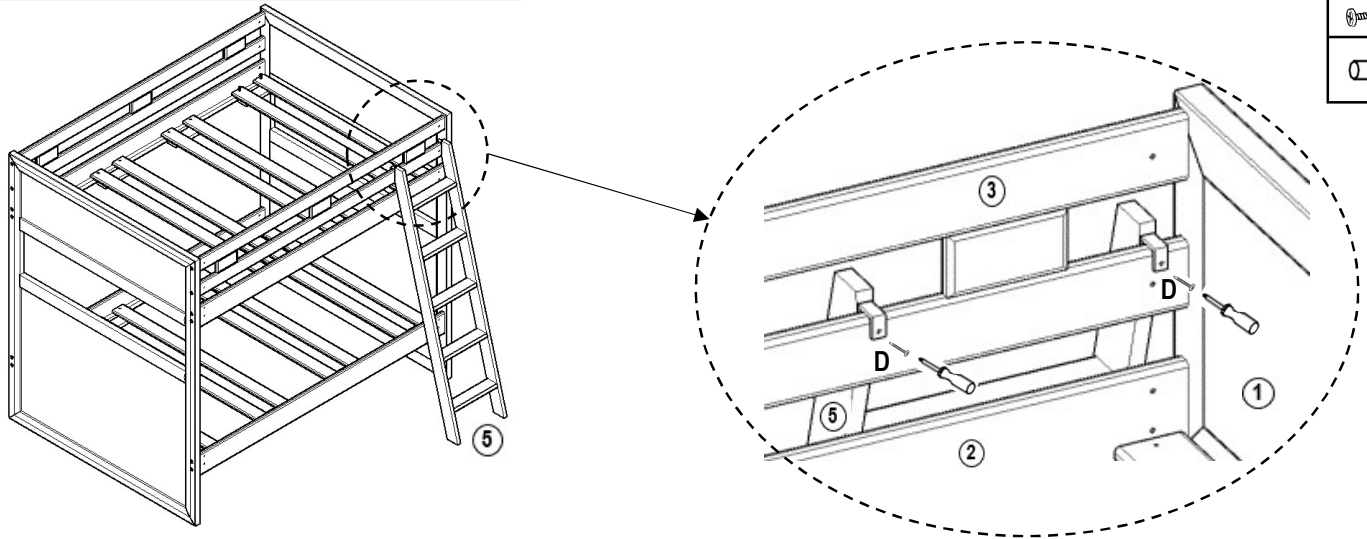
STEP 5



Screw ladder hooks to pre-drilled holes on top of ladder

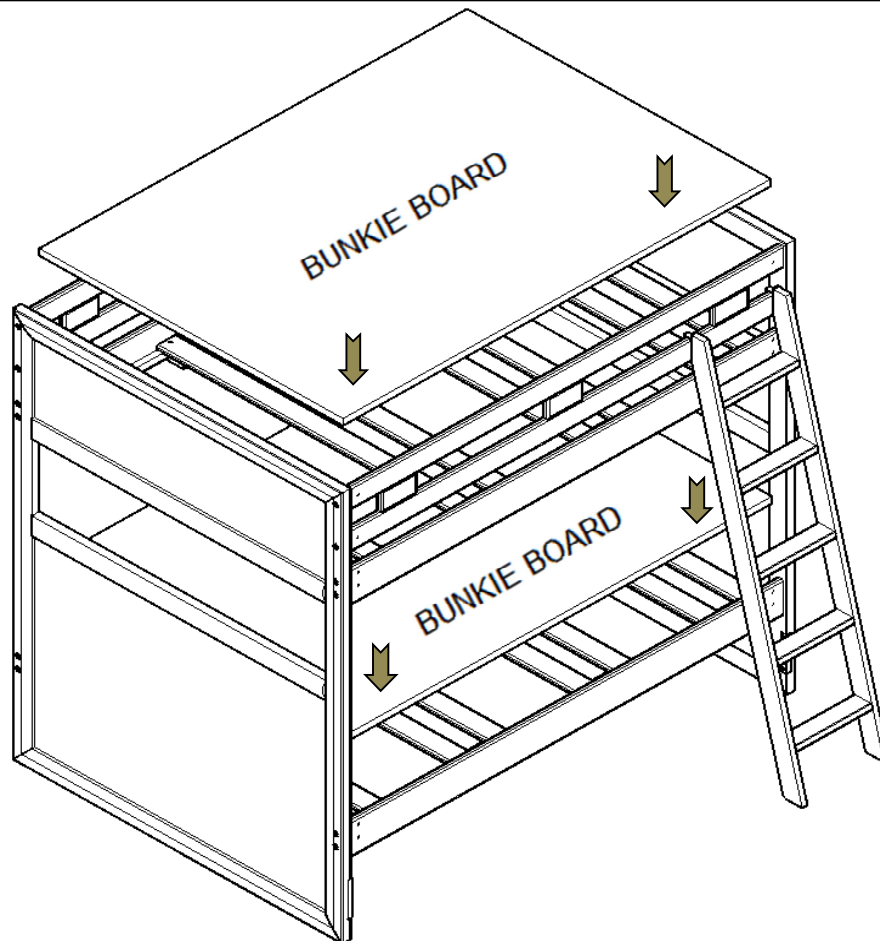
# ASSEMBLY INSTRUCTIONS

## STEP 6



Screw ladder to guardrail as shown.

## STEP 7



**Place Bunkie boards (required, sold separately) on top of the slats**

**Use only correct mattress dimensions and Bunkie board:**

Twin size mattress- 74" - 75" long and 37-1/2" - 38-1/2" wide

Twin size Bunkie board- 74" long and 37-1/2" wide

Full size mattress- 74" - 75" long and 52-1/2" - 53-1/2" wide

Full size Bunkie board- 74" long and 52-1/2" wide

PLEASE CONTACT YOUR RETAIL STORE WITH SERVICE OR PARTS REPLACEMENT REQUEST