

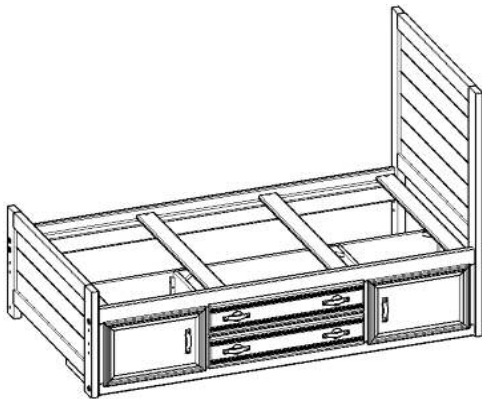
ROOMS TO GO
KIDS
 Manufactured for Rooms to Go

CREEKSIDE 2.0 COLLECTION

THANK YOU FOR YOUR PURCHASE

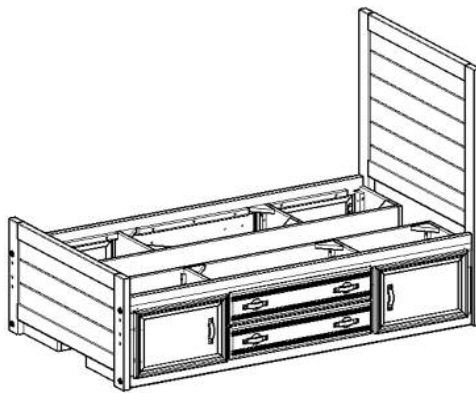
- Read all the instructions, identify all components, and be sure you have all parts prior to assembly.
- DO NOT Use substitute parts. Contact your local Rooms To Go or visit www.ROOMSTOGO.COM for replacement parts and instructional literature if needed.

Reference page 3-4 for assembly steps



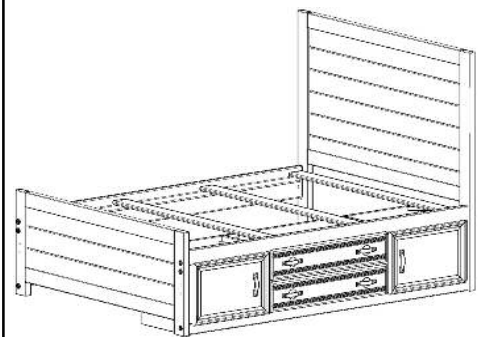
TWIN PANEL BED W/1 STORAGE RAIL
 3414040P CHARCOAL 3414041P CHESTNUT

Reference page 5-6 for assembly steps



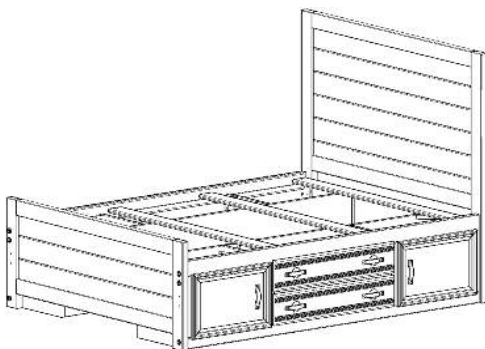
TWIN PANEL BED W/2 STORAGE RAILS
 3424040P CHARCOAL 3424041P CHESTNUT

Reference page 7-8 for assembly steps



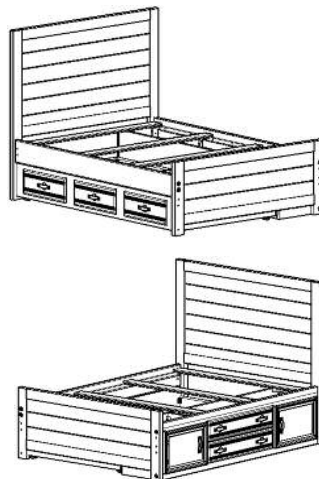
FULL PANEL BED W/1 STORAGE RAIL
 3444040P CHARCOAL 3444041P CHESTNUT

Reference page 9-10 for assembly steps



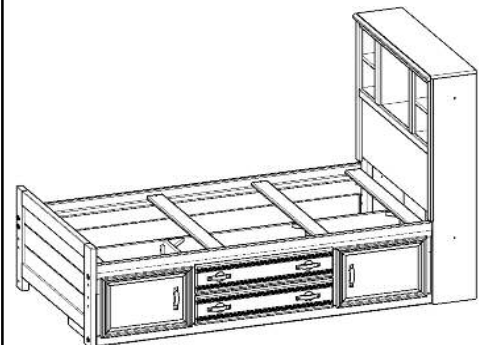
FULL PANEL BED W/2 STORAGE RAILS
 3454040P CHARCOAL 3454041P CHESTNUT

Reference page 11-12 for assembly steps



FULL PANEL BED W/STORAGE RAIL & TRUNDLE
 3424440P CHARCOAL 3424441P CHESTNUT

Reference page 13-14 for assembly steps

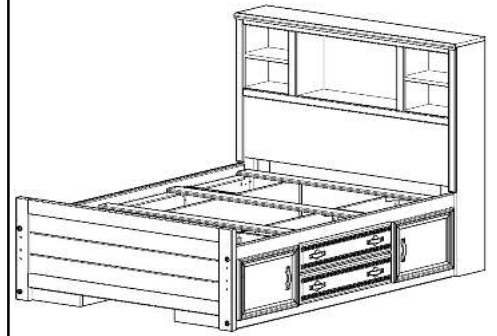
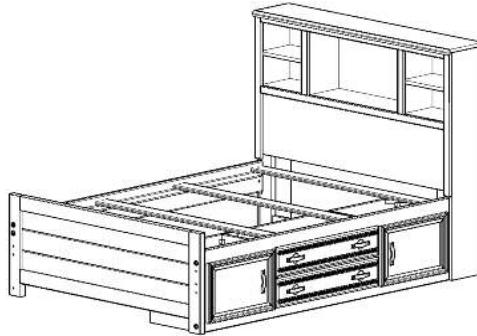
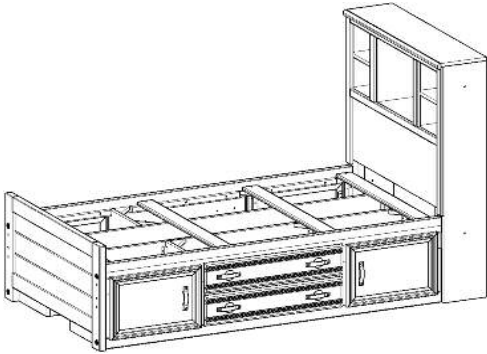


TWIN BOOKCASE BED W/1 STORAGE RAIL
 3474040P CHARCOAL 3474041P CHESTNUT

Reference page 15-16 for assembly steps

Reference page 17-18 for assembly steps

Reference page 19-20 for assembly steps



TWIN BOOKCASE BED W/2 STORAGE RAIL
3484040P CHARCOAL 3484041P CHESTNUT

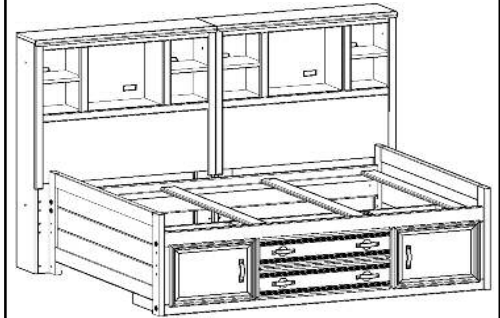
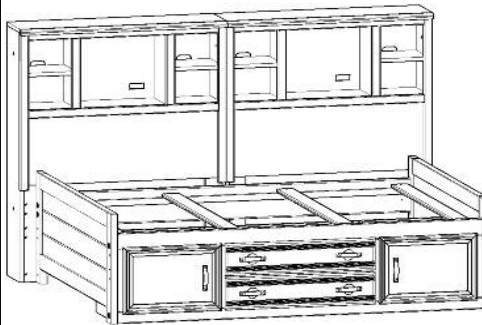
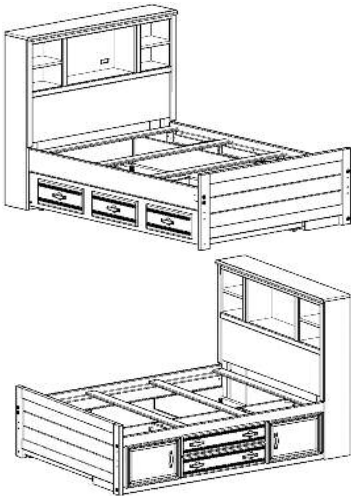
FULL BOOKCASE BED W/1 STORAGE RAIL
3444040P CHARCOAL 3444041P CHESTNUT

FULL BOOKCASE BED W/2 STORAGE RAIL
3514040P CHARCOAL 3514041P CHESTNUT

Reference page 21-22 for assembly steps

Reference page 23-25 for assembly steps

Reference page 26-28 for assembly steps

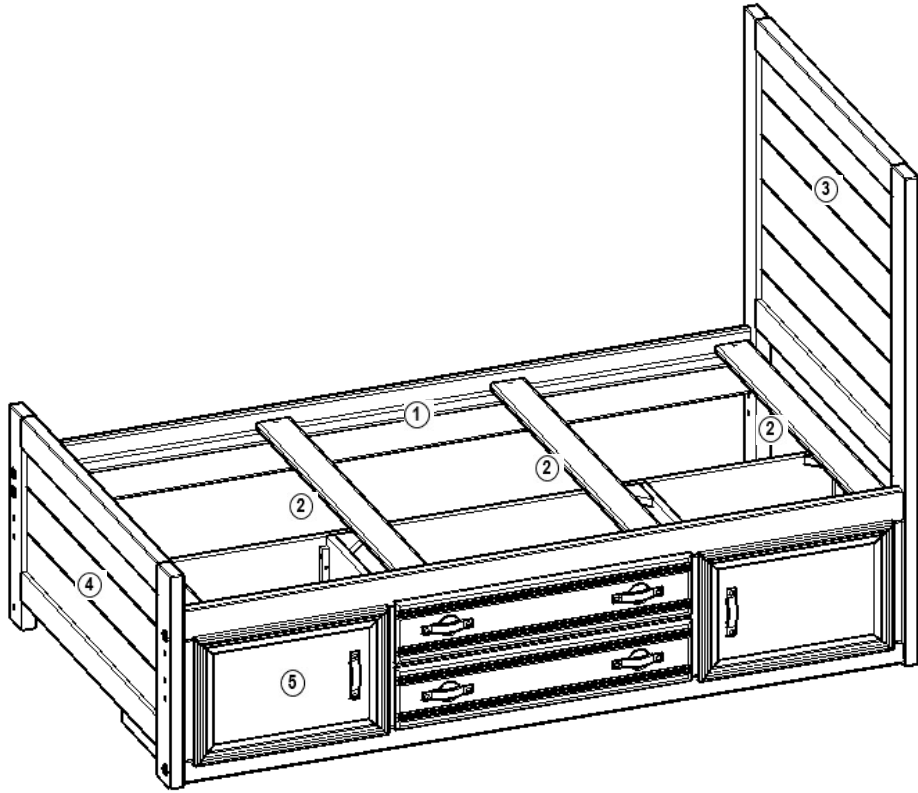


FULL BOOKCASE BED W/1 STORAGE RAIL & TWIN TRUNDLE
3434440P CHARCOAL 3434441P CHESTNUT

TWIN BOOKCASE WALL BED W/1 STORAGE RAIL
3534040P CHARCOAL 3534041P CHESTNUT

FULL BOOKCASE WALL BED W/1 STORAGE RAIL
3554040P CHARCOAL 3554041P CHESTNUT







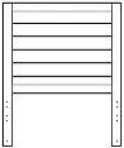

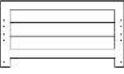
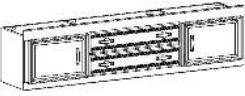
PARTS LIST



3414040P TWIN PANEL BED W/1 STORAGE RAIL CHARCOAL		
RTG SKU #	STYLE #	ITEM DESCRIPTION
34540408	40G-115	TWIN PANEL HEADBOARD
34740402	40G-116	TWIN FOOTBOARD
35340405	40G-940	STORAGE RAIL
35240403	40G-938	1 PC. SIDE RAIL
38000232	100-645	TWIN SLAT PACK (4) OR
37711288	100-645	TWIN SLAT PACK (4)

3414041P TWIN PANEL BED W/1 STORAGE RAIL CHESTNUT		
RTG SKU #	STYLE #	ITEM DESCRIPTION
34540410	40B-115	TWIN PANEL HEADBOARD
34740414	40B-116	TWIN FOOTBOARD
35340417	40B-940	STORAGE RAIL
35240415	40B-938	1 PC. SIDE RAIL
38000232	100-645	TWIN SLAT PACK (4) OR
37711288	100-645	TWIN SLAT PACK (4)

WARNING:
THE BED SLATS WILL NOT SUPPORT A MATTRESS ALONE, THIS BED REQUIRES A BOX SPRING OR BUNKIE BOARD. SOLD SEPARATELY

PARTS LIST	QTY	PARTS LIST	QTY	HARDWARE LIST	QTY	TOOLS NEEDED	
1		 Side rail	1 Pcs	A	 5/16"-18 x 2 3/4" Bolt	8 Pcs	Phillips screwdriver (not included) 
2		 Twin slats	4 Pcs	B	 Allen wrench	1 Pcs	
		3		C	 1 1/4" Screws	8 Pcs	
		 Twin panel headboard	1 Pcs	D	 5/16"-18 x 3 3/8" Bolt	8 Pcs	
		4					
		 Twin footboard	1 Pcs				
		5					
		 Storage rail	1 Pcs				

ASSEMBLY INSTRUCTIONS

STEP 1

Assemble storage rail

STEP 2

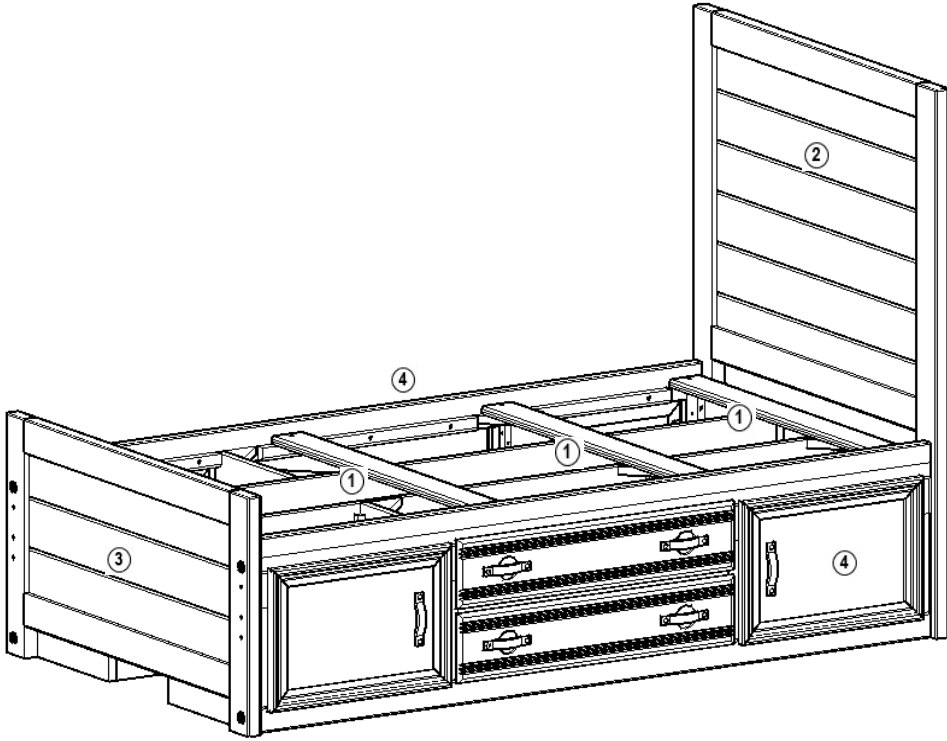
Assemble side rail
MAKE SURE ALL BOLTS ARE TIGHTENED COMPLETELY

STEP 3

Install slats, one on each end and two equally spaced in the middle,
then fasten with 1 1/4" screws


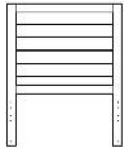


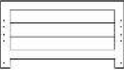





PARTS LIST

3424040P TWIN PANEL BED W/2 STORAGE RAILS CHARCOAL		
RTG SKU #	STYLE #	ITEM DESCRIPTION
34540408	40G-115	TWIN PANEL HEADBOARD
34740402	40G-116	TWIN FOOTBOARD
35340405	40G-940	STORAGE RAIL
35340405	40G-940	STORAGE RAIL
38000232	100-645	TWIN SLAT PACK (4) OR
37711288	100-645	TWIN SLAT PACK (4)



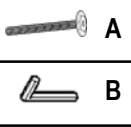
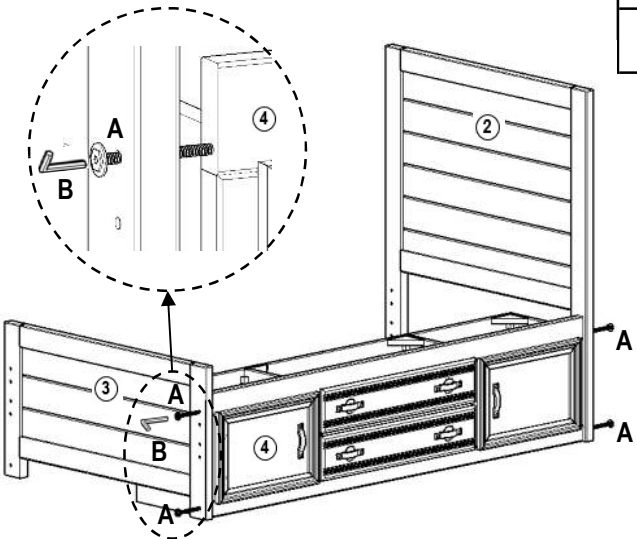
3424041P TWIN PANEL BED W/2 STORAGE RAILS CHESTNUT		
RTG SKU #	STYLE #	ITEM DESCRIPTION
34540410	40B-115	TWIN PANEL HEADBOARD
34740414	40B-116	TWIN FOOTBOARD
35340417	40B-940	STORAGE RAIL
35340417	40B-940	STORAGE RAIL
38000232	100-645	TWIN SLAT PACK (4) OR
37711288	100-645	TWIN SLAT PACK (4)

WARNING:
THE BED SLATS WILL NOT SUPPORT A MATTRESS ALONE, THIS BED REQUIRES A BOX SPRING OR BUNKIE BOARD. SOLD SEPARATELY

PARTS LIST		QTY	PARTS LIST		QTY	HARDWARE LIST		QTY	TOOLS NEEDED	
1	 Twin slats	4 Pcs	2	 Twin panel hdbd	1 Pc	A	 5/16"-18 x 2 3/4" Bolt	8 Pcs	Phillips screwdriver (not included) 	
			3	 Twin footboard	1 Pc	B	 Allen wrench	1 Pc	Allen wrench (included) 	
			4	 Storage rail	2 Pc	C	 1 1/4" Screws	8 Pcs		
					D	 Do not use 5/16"-18 x 3 3/8" Bolt	8 Pcs			

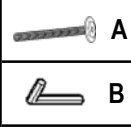
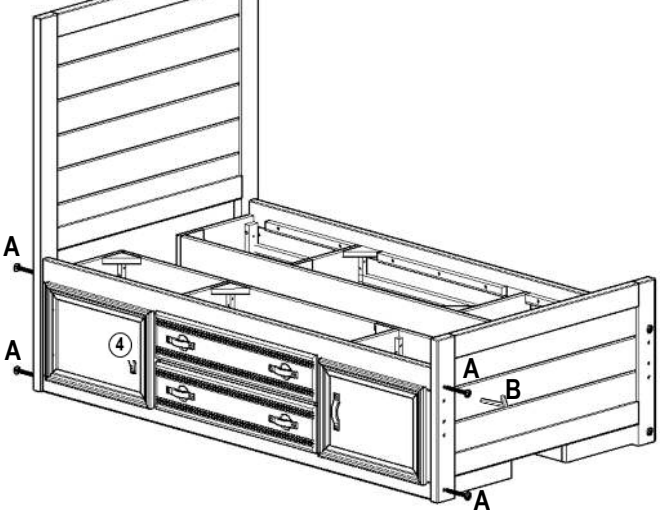
ASSEMBLY INSTRUCTIONS

STEP 1



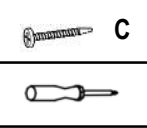
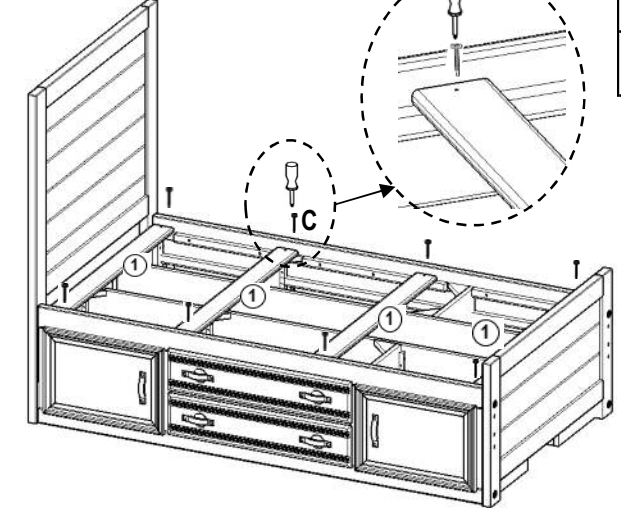
Assemble storage rail

STEP 2



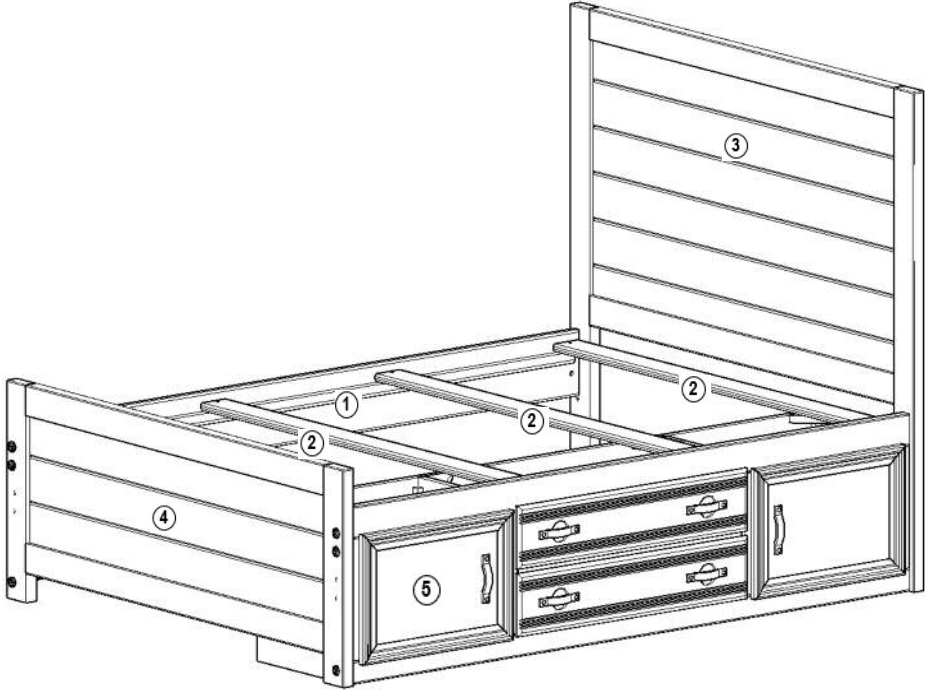
Repeat process for the other side
MAKE SURE ALL BOLTS ARE TIGHTENED COMPLETELY

STEP 3



Install slats, one on each end and two equally spaced in the middle, then fasten with 1 1/4" screws






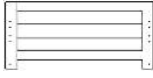


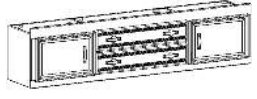

PARTS LIST



3444040P FULL PANEL BED W/1 STORAGE RAIL CHARCOAL		
RTG SKU #	STYLE #	ITEM DESCRIPTION
34840404	40G-117	FULL PANEL HEADBOARD
35040409	40G-118	FULL FOOTBOARD
35340405	40G-940	STORAGE RAIL
35240403	40G-938	1 PC. SIDE RAIL
38100234	100-646	FULL SLAT PACK (4) OR
37811280	100-646	FULL SLAT PACK (4)

3444041P FULL PANEL BED W/1 STORAGE RAIL CHESTNUT		
RTG SKU #	STYLE #	ITEM DESCRIPTION
34840416	40B-117	FULL PANEL HEADBOARD
35040411	40B-118	FULL FOOTBOARD
35340417	40B-940	STORAGE RAIL
35240415	40B-938	1 PC. SIDE RAIL
38100234	100-646	FULL SLAT PACK (4) OR
37811280	100-646	FULL SLAT PACK (4)

WARNING:
THE BED SLATS WILL NOT SUPPORT A MATTRESS ALONE, THIS BED REQUIRES A BOX SPRING OR BUNKIE BOARD. SOLD SEPARATELY

PARTS LIST		QTY	PARTS LIST		QTY	HARDWARE LIST		QTY	TOOLS NEEDED	
1		1 Pcs	3		1 Pc	A		8 Pcs	Phillips screwdriver (not included)	
	Side rail			Full panel headboard			Allen wrench			
2		4 Pcs	4		1 Pc	B		1 Pc	Allen wrench (included)	
	Full slats			Full footboard			Do not use			
			5		1 Pc	C		8 Pcs		
							Storage rail			

ASSEMBLY INSTRUCTIONS

STEP 1

Assemble storage rail

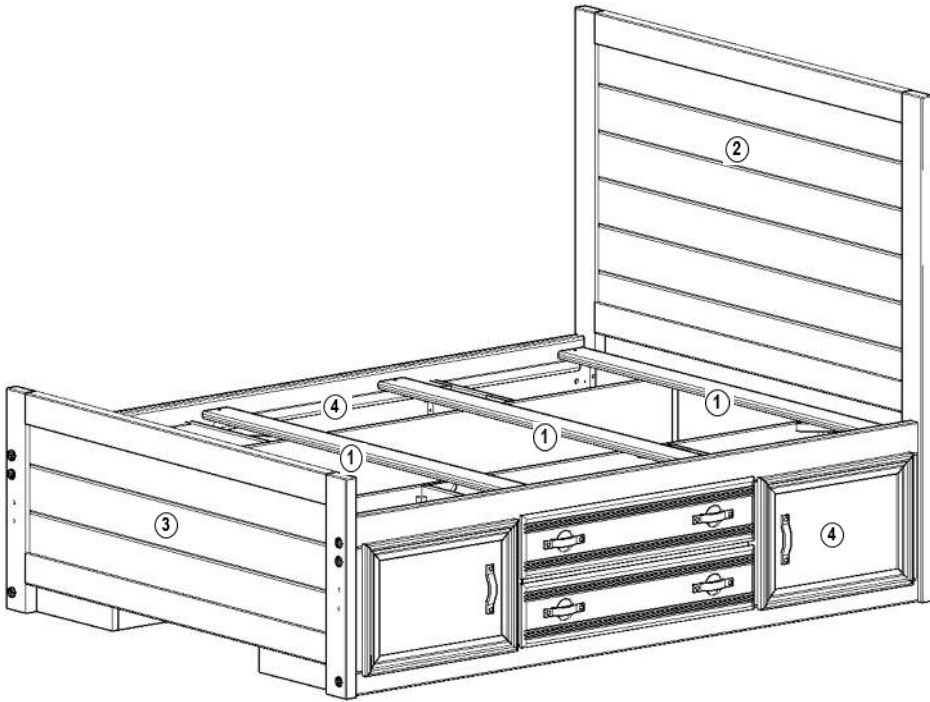
STEP 2

Assemble side rail
MAKE SURE ALL BOLTS ARE TIGHTENED COMPLETELY

STEP 3

Install slats, one on each end and two equally spaced in the middle,
then fasten with 1 1/4" screws






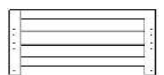
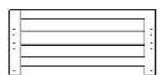

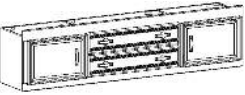
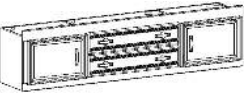

PARTS LIST



3454040P FULL PANEL BED W/2 STORAGE SIDE RAIL CHARCOAL		
RTG SKU #	STYLE #	ITEM DESCRIPTION
34840404	40G-117	FULL PANEL HEADBOARD
35040409	40G-118	FULL FOOTBOARD
35340405	40G-940	STORAGE RAIL
35340405	40G-940	STORAGE RAIL
38100234	100-646	FULL SLAT PACK (4) OR
37811280	100-646	FULL SLAT PACK (4)

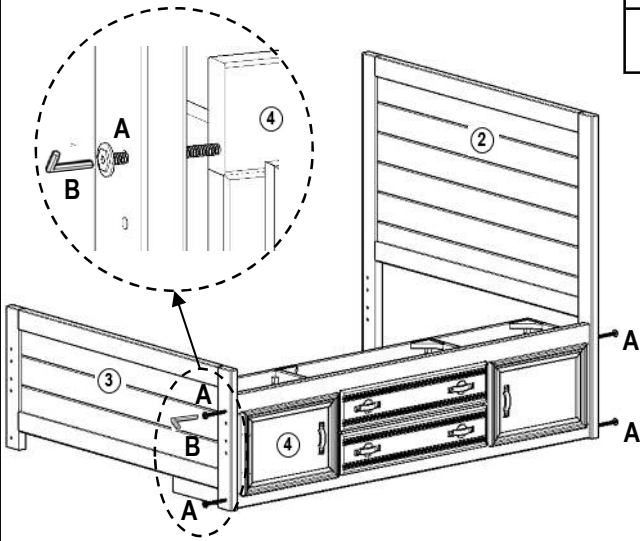
3454041P FULL PANEL BED W/2 STORAGE SIDE RAIL CHESTNUT		
RTG SKU #	STYLE #	ITEM DESCRIPTION
34840416	40B-117	FULL PANEL HEADBOARD
35040411	40B-118	FULL FOOTBOARD
35340417	40B-940	STORAGE RAIL
35340417	40B-940	STORAGE RAIL
38100234	100-646	FULL SLAT PACK (4) OR
37811280	100-646	FULL SLAT PACK (4)

WARNING:
THE BED SLATS WILL NOT SUPPORT A MATTRESS ALONE, THIS BED REQUIRES A BOX SPRING OR BUNKIE BOARD. SOLD SEPARATELY

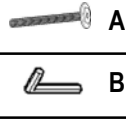
PARTS LIST		QTY	PARTS LIST		QTY	HARDWARE LIST		QTY	TOOLS NEEDED	
1		4 Pcs	2		1 Pc	A		8 Pcs	Phillips screwdriver (not included)	
										
									Allen wrench (included)	
										
3		1 Pc	3		1 Pc	C		8 Pcs		
4		2 Pc	4		2 Pc	D		8 Pcs		

ASSEMBLY INSTRUCTIONS

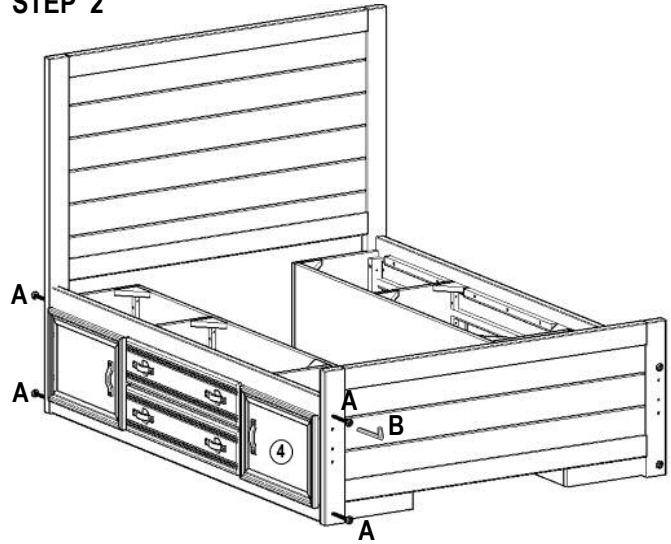
STEP 1



Assemble storage rail

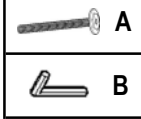


STEP 2

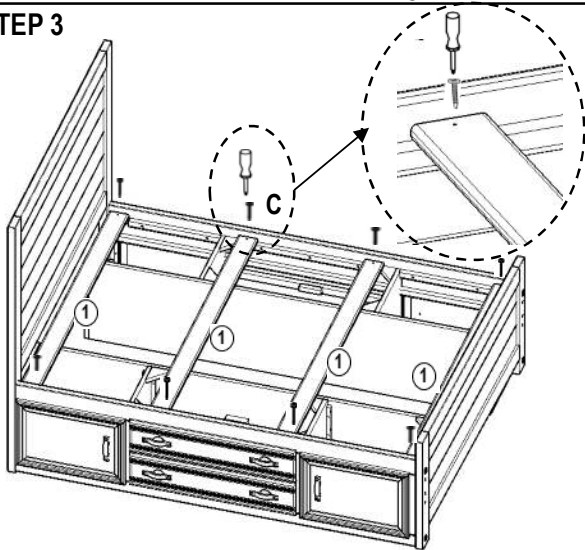


Repeat process for the other side

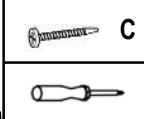
MAKE SURE ALL BOLTS ARE TIGHTENED COMPLETELY



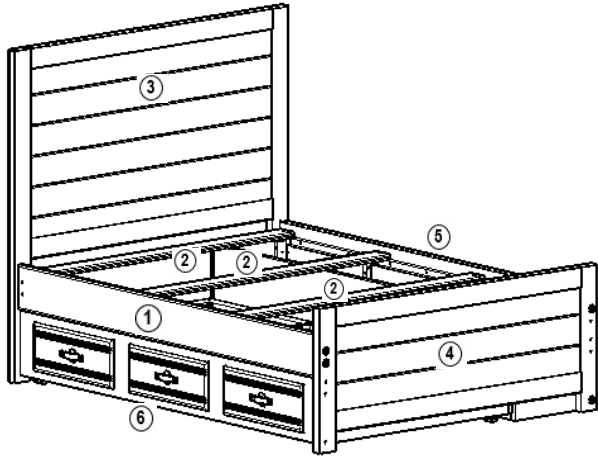
STEP 3



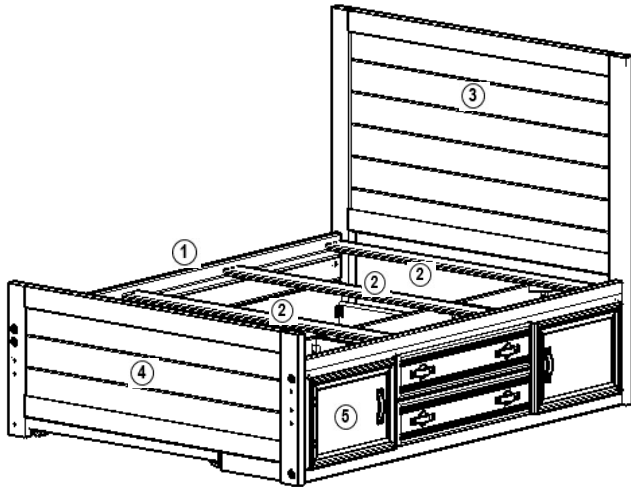
Install slats, one on each end and two equally spaced in the middle, then fasten with 1 1/4" screws



PARTS LIST










3424440P FULL PANEL BED W/1 STORAGE RAIL & TRUNDLE CHARCOAL		
RTG SKU #	STYLE #	ITEM DESCRIPTION
34840404	40G-117	FULL PANEL HEADBOARD
35040409	40G-118	FULL FOOTBOARD
35340405	40G-940	STORAGE SIDE RAIL
35240403	40G-938	1 PC. SIDE RAIL
38100234	100-646	FULL SLAT PACK (4) OR
37811280	100-646	FULL SLAT PACK (4)
35440407	40G-744	TRUNDLE BED



3424441P FULL PANEL BED W/1 STORAGE RAIL & TRUNDLE CHESTNUT		
RTG SKU #	STYLE #	ITEM DESCRIPTION
34840416	40B-117	FULL PANEL HEADBOARD
35040411	40B-118	FULL FOOTBOARD
35340417	40B-940	STORAGE SIDE RAIL
35240415	40B-938	1 PC. SIDE RAIL
38100234	100-646	FULL SLAT PACK (4) OR
37811280	100-646	FULL SLAT PACK (4)
35440419	40B-744	TRUNDLE BED

WARNING:
THE BED SLATS WILL NOT SUPPORT A MATTRESS ALONE, THIS BED REQUIRES A BOX SPRING OR BUNKIE BOARD. SOLD SEPARATELY

PARTS LIST	QTY	PARTS LIST	QTY	HARDWARE LIST	QTY	TOOLS NEEDED	
1		 Side rail	1 Pcs	A	 5/16"-18 x 2 3/4" Bolt	8 Pcs	Phillips screwdriver (not included) 
2		 Full slats	4 Pcs	B	 Allen wrench	1 Pc	
		3		C	 1 1/4" Screws	8 Pcs	
		4		D	 5/16"-18 x 3 3/8" Bolt	8 Pcs	
		5		Do not use			
		6					
		3					
		4					
		5					
		6					

ASSEMBLY INSTRUCTIONS

STEP 1

A
 B

Assemble storage rail

STEP 2

A
 B

Assemble side rail
MAKE SURE ALL BOLTS ARE TIGHTENED COMPLETELY

STEP 3

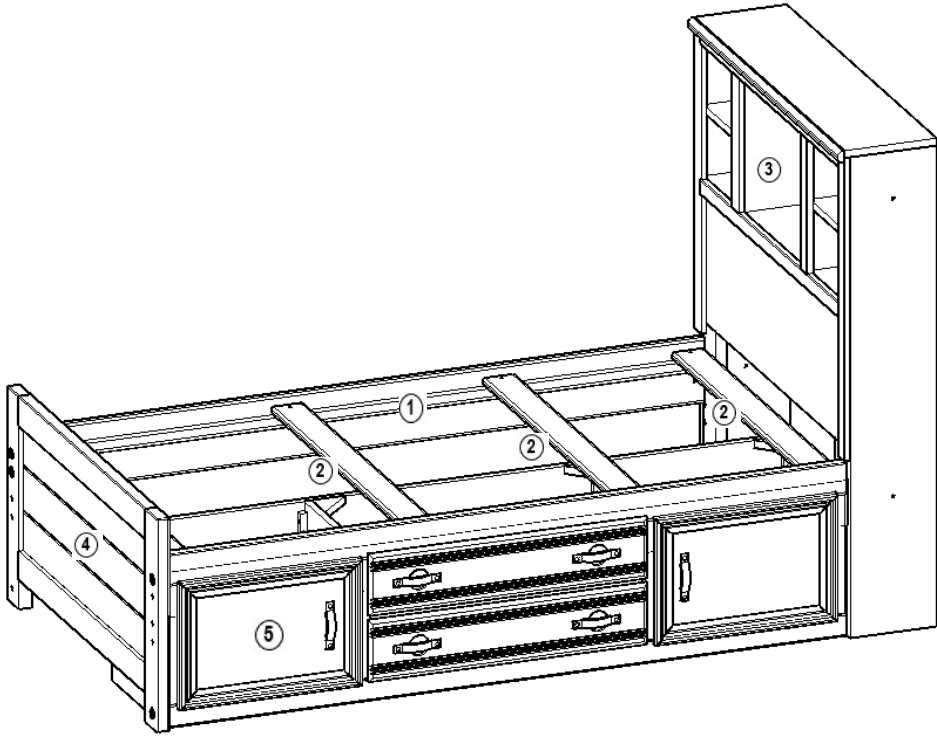
C

Install slats, one on each end and two equally spaced in the middle,
then fasten with 1 1/4" screws

STEP 4

For Trundle bed follow assembly instructions inside
Trundle bed box, then slide under the bed as shown.


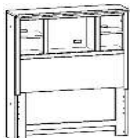




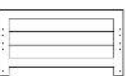
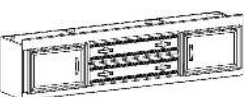


PARTS LIST



3474040P TWIN BOOKCASE BED W/1 STORAGE RAIL CHARCOAL		
RTG SKU #	STYLE #	ITEM DESCRIPTION
34640400	40G-812	TWIN BOOKCASE HEADBOARD
34740402	40G-116	TWIN FOOTBOARD
35340405	40G-940	STORAGE RAIL
35240403	40G-938	1 PC. SIDE RAIL
38000232	100-645	TWIN SLAT PACK (4) OR
37711288	100-645	TWIN SLAT PACK (4)

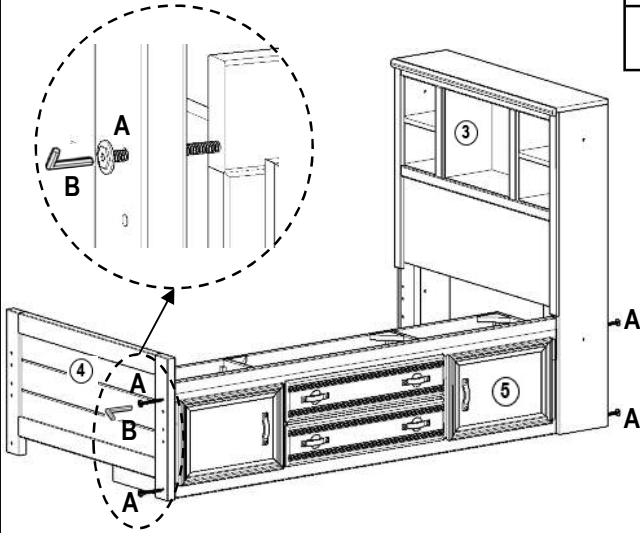
3474041P TWIN BOOKCASE BED W/1 STORAGE RAIL CHESTNUT		
RTG SKU #	STYLE #	ITEM DESCRIPTION
34640412	40B-812	TWIN BOOKCASE HEADBOARD
34740414	40B-116	TWIN FOOTBOARD
35340417	40B-940	STORAGE RAIL
35240415	40B-938	1 PC. SIDE RAIL
38000232	100-645	TWIN SLAT PACK (4) OR
37711288	100-645	TWIN SLAT PACK (4)

WARNING:
THE BED SLATS WILL NOT SUPPORT A MATTRESS ALONE, THIS BED REQUIRES A BOX SPRING OR BUNKIE BOARD. SOLD SEPARATELY

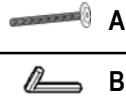
PARTS LIST		QTY	PARTS LIST		QTY	HARDWARE LIST		QTY	TOOLS NEEDED	
1		1 Pcs	3		1 Pc	A		8 Pcs	Phillips screwdriver (not included)	
2		4 Pcs				C		8 Pcs		
			4		1 Pc		Do not use		Allen wrench (included)	
			5		1 Pc	D		8 Pcs		

ASSEMBLY INSTRUCTIONS

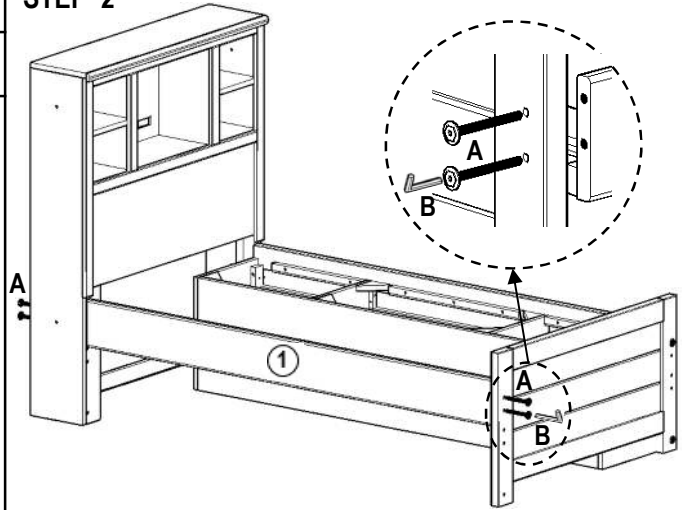
STEP 1



Assemble storage rail

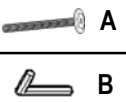


STEP 2

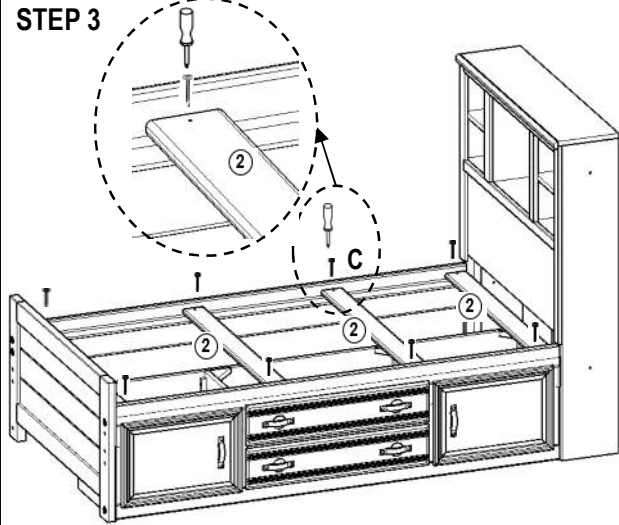


Assemble side rail

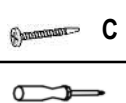
MAKE SURE ALL BOLTS ARE TIGHTENED COMPLETELY



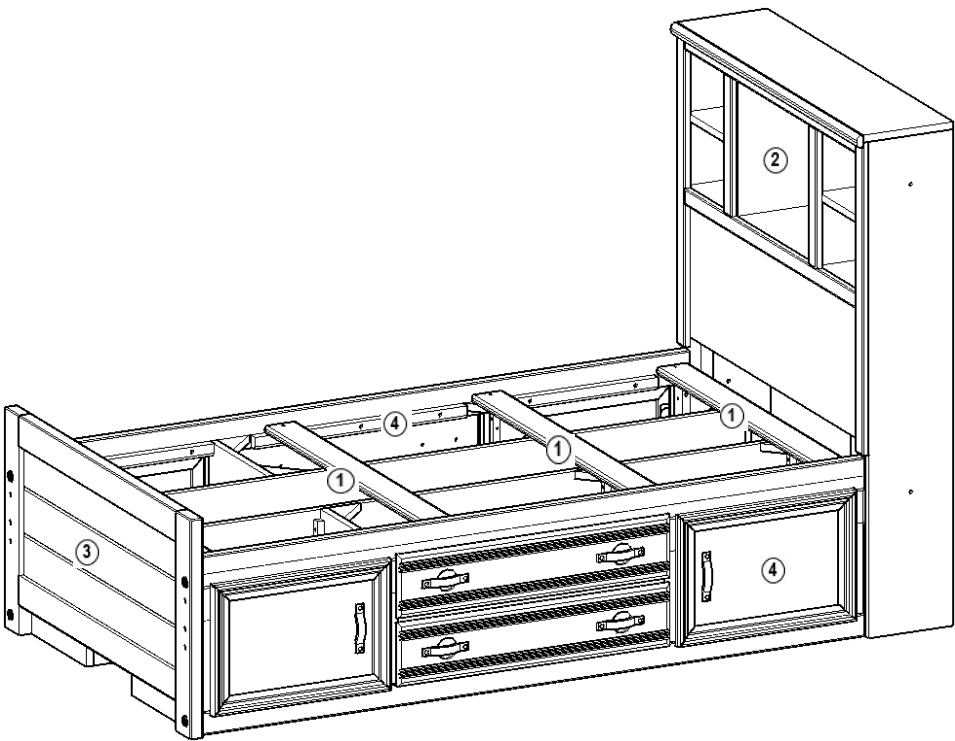
STEP 3



Install slats, one on each end and two equally spaced in the middle, then fasten with 1 1/4" screws






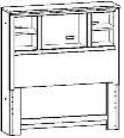


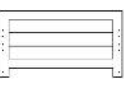

PARTS LIST

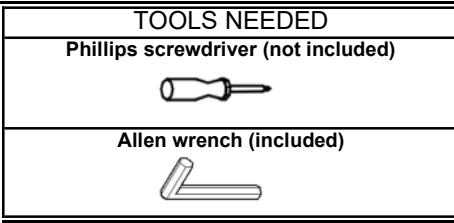


3484040P TWIN BOOKCASE BED W/2 STORAGE RAILS CHARCOAL		
RTG SKU #	STYLE #	ITEM DESCRIPTION
34640400	40G-812	TWIN BOOKCASE HEADBOARD
34740402	40G-116	TWIN FOOTBOARD
35340405	40G-940	STORAGE RAIL
35340405	40G-940	STORAGE RAIL
38000232	100-645	TWIN SLAT PACK (4) OR
37711288	100-645	TWIN SLAT PACK (4)

3484041P TWIN BOOKCASE BED W/2 STORAGE RAILS CHESTNUT		
RTG SKU #	STYLE #	ITEM DESCRIPTION
34640412	40B-812	TWIN BOOKCASE HEADBOARD
34740414	40B-116	TWIN FOOTBOARD
35340417	40B-940	STORAGE RAIL
35340417	40B-940	STORAGE RAIL
38000232	100-645	TWIN SLAT PACK (4) OR
37711288	100-645	TWIN SLAT PACK (4)

WARNING:
THE BED SLATS WILL NOT SUPPORT A MATTRESS ALONE, THIS BED REQUIRES A BOX SPRING OR BUNKIE BOARD. SOLD SEPARATELY

PARTS LIST	QTY	PARTS LIST	QTY	HARDWARE LIST	QTY	TOOLS NEEDED
1		 Twin slats	4 Pcs	A	 5/16"-18 x 2 3/4" Bolt	8 Pcs
		2		B	 Allen wrench	1 Pcs
		 Twin bookcase hdbd	1 Pc	C	 1 1/4" Screws	8 Pcs
		3		D	 5/16"-18 x 3 3/8" Bolt	8 Pcs
		 Twin footboard	1 Pc			
		4				
		 Storage rail	2 Pc			



ASSEMBLY INSTRUCTIONS

STEP 1

A
 B

Assemble storage rail

STEP 2

A
 B

Repeat process for the other side
MAKE SURE ALL BOLTS ARE TIGHTENED COMPLETELY

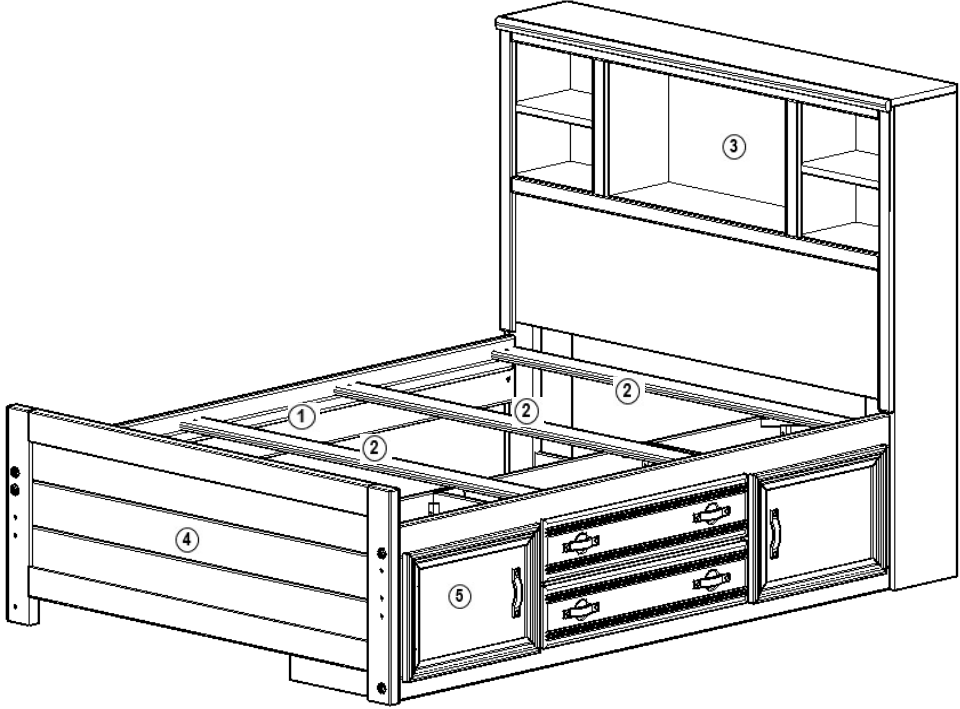
STEP 3

C

Install slats, one on each end and two equally spaced in the middle,
 then fasten with 1 1/4" screws





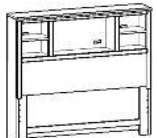
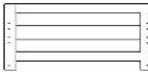

PARTS LIST

3504040P FULL BOOKCASE BED W/1 STORAGE RAIL CHARCOAL		
RTG SKU #	STYLE #	ITEM DESCRIPTION
34940406	40G-814	FULL BOOKCASE HEADBOARD
35040409	40G-118	FULL FOOTBOARD
35340405	40G-940	STORAGE RAIL
35240403	40G-938	1 PC. SIDE RAIL
38100234	100-646	FULL SLAT PACK (4) OR
37811280	100-646	FULL SLAT PACK (4)



3504041P FULL BOOKCASE BED W/1 STORAGE RAIL CHESTNUT		
RTG SKU #	STYLE #	ITEM DESCRIPTION
34940418	40B-814	FULL BOOKCASE HEADBOARD
35040411	40B-118	FULL FOOTBOARD
35340417	40B-940	STORAGE RAIL
35240415	40B-938	1 PC. SIDE RAIL
38100234	100-646	FULL SLAT PACK (4) OR
37811280	100-646	FULL SLAT PACK (4)

WARNING:
THE BED SLATS WILL NOT SUPPORT A MATTRESS ALONE, THIS BED REQUIRES A BOX SPRING OR BUNKIE BOARD. SOLD SEPARATELY

PARTS LIST	QTY	PARTS LIST	QTY	HARDWARE LIST	QTY	TOOLS NEEDED
1			1 Pcs	A		Phillips screwdriver (not included) 
		Side rail		B		Allen wrench (included) 
2			4 Pcs	C		
		Full slats		D		
3			1 Pc	A	8 Pcs	
		Full bookcase headboard		B	1 Pc	
4			1 Pc	C	8 Pcs	
		Full footboard		D	8 Pcs	
5			1 Pc			
		Storage rail				

ASSEMBLY INSTRUCTIONS

STEP 1

Assemble storage rail

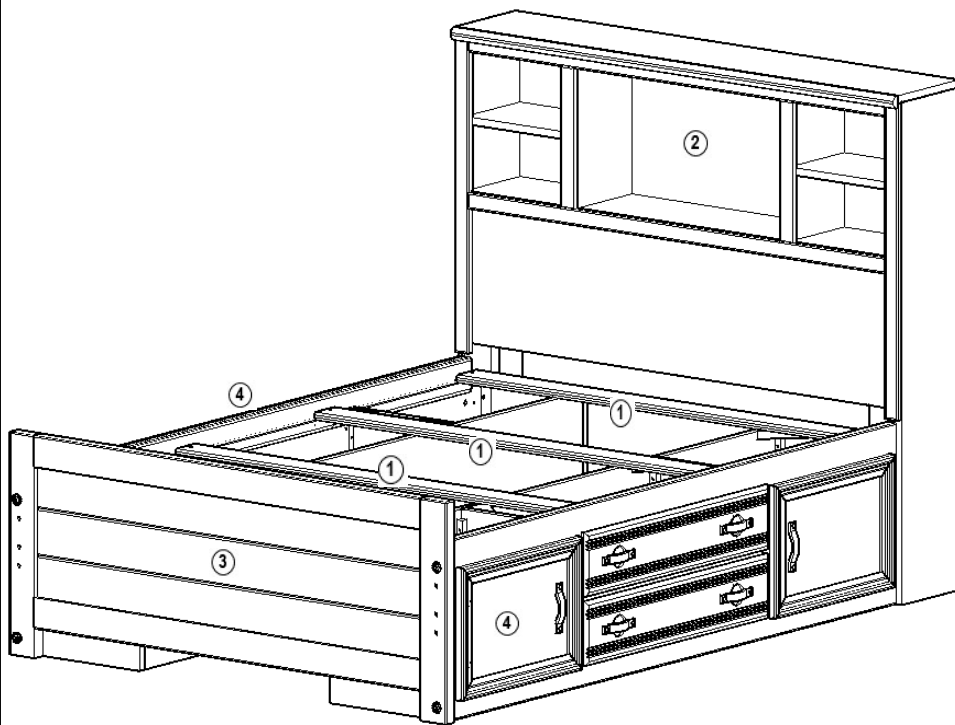
STEP 2

Assemble side rail
MAKE SURE ALL BOLTS ARE TIGHTENED COMPLETELY

STEP 3

Install slats, one on each end and two equally spaced in the middle,
then fasten with 1 1/4" screws




PARTS LIST







3514040P FULL BOOKCASE BED W/2 STORAGE RAIL CHARCOAL		
RTG SKU #	STYLE #	ITEM DESCRIPTION
34940406	40G-814	FULL BOOKCASE HEADBOARD
35040409	40G-118	FULL FOOTBOARD
35340405	40G-940	STORAGE RAIL
35340405	40G-940	STORAGE RAIL
38100234	100-646	FULL SLAT PACK (4) OR
37811280	100-646	FULL SLAT PACK (4)

3514041P FULL BOOKCASE BED W/2 STORAGE RAIL CHESTNUT		
RTG SKU #	STYLE #	ITEM DESCRIPTION
34940418	40B-814	FULL BOOKCASE HEADBOARD
35040411	40B-118	FULL FOOTBOARD
35340417	40B-940	STORAGE RAIL
35340417	40B-940	STORAGE RAIL
38100234	100-646	FULL SLAT PACK (4) OR
37811280	100-646	FULL SLAT PACK (4)

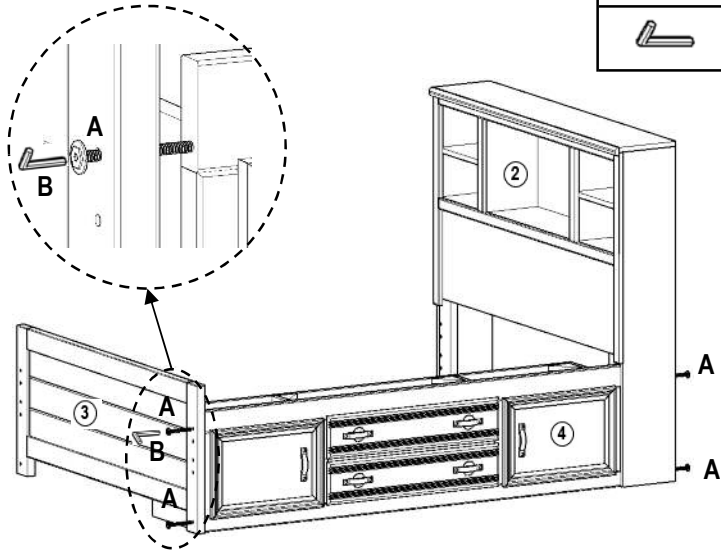
WARNING:
THE BED SLATS WILL NOT SUPPORT A MATTRESS ALONE, THIS BED REQUIRES A BOX SPRING OR BUNKIE BOARD. SOLD SEPARATELY

PARTS LIST	QTY	PARTS LIST	QTY	HARDWARE LIST	QTY	TOOLS NEEDED
1			4 Pcs	A		Phillips screwdriver (not included) 
		2		B		Allen wrench (included) 
		3		C		
		4		D		

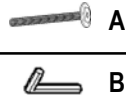
A		8 Pcs
5/16"-18 x 2 3/4" Bolt		
B		1 Pc
Allen wrench		
C		8 Pcs
1 1/4" Screws		
Do not use		
D		8 Pcs
5/16"-18 x 3 3/8" Bolt		

ASSEMBLY INSTRUCTIONS

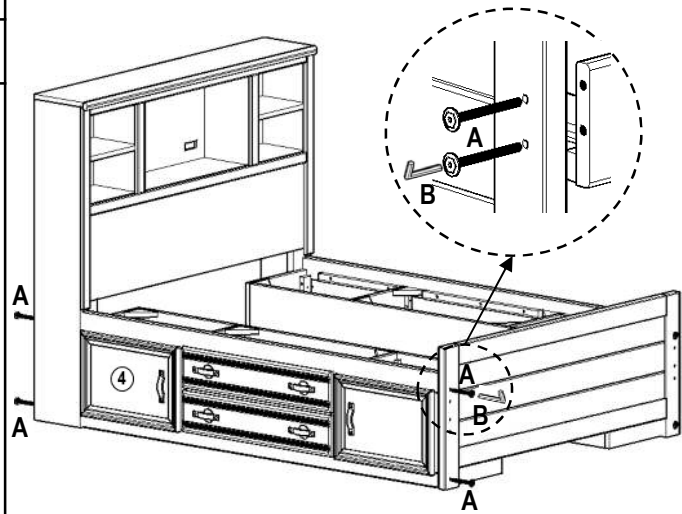
STEP 1



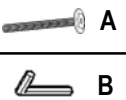
Assemble storage rail



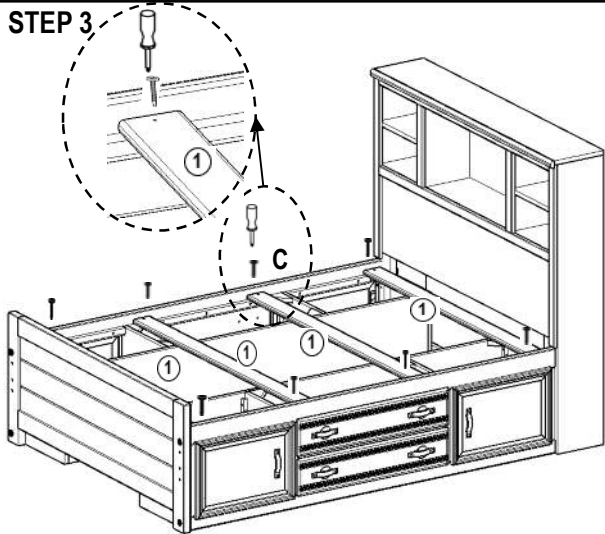
STEP 2



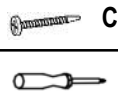
Repeat process for the other side
MAKE SURE ALL BOLTS ARE TIGHTENED COMPLETELY



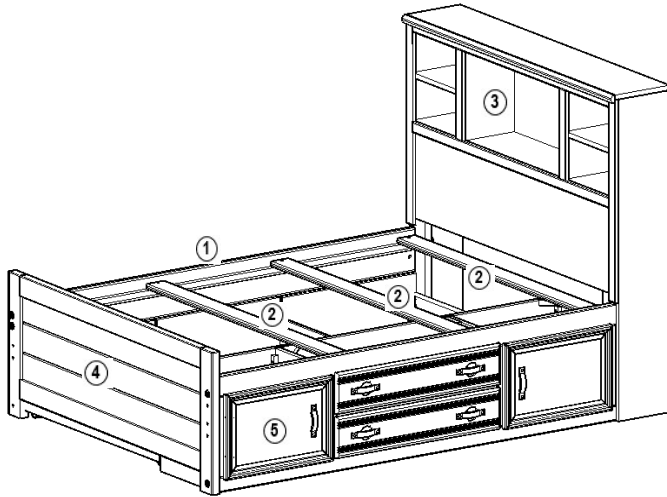
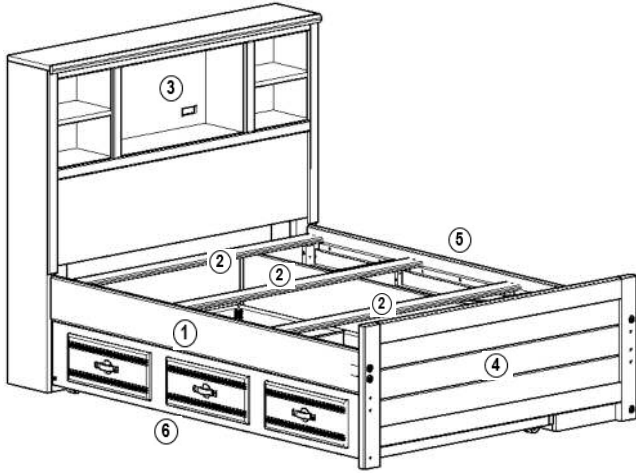
STEP 3



Install slats, one on each end and two equally spaced in the middle, then fasten with 1 1/4" screws








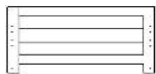




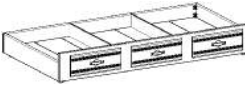

PARTS LIST



3434440P FULL BOOKCASE BED W/1 STORAGE RAIL & TWIN TRUNDLE CHARCOAL		
RTG SKU #	STYLE #	ITEM DESCRIPTION
34940406	40G-814	FULL BOOKCASE HEADBOARD
35040409	40G-118	FULL FOOTBOARD
35340405	40G-940	STORAGE SIDE RAIL
35240403	40G-938	1 PC. SIDE RAIL
38100234	100-646	FULL SLAT PACK (4) OR
37811280	100-646	FULL SLAT PACK (4)
35440407	40G-744	TRUNDLE BED



3434441P FULL BOOKCASE BED W/1 STORAGE RAIL & TWIN TRUNDLE CHESTNUT		
RTG SKU #	STYLE #	ITEM DESCRIPTION
34940418	40B-814	FULL BOOKCASE HEADBOARD
35040411	40B-118	FULL FOOTBOARD
35340417	40B-940	STORAGE SIDE RAIL
35240415	40B-938	1 PC. SIDE RAIL
38100234	100-646	FULL SLAT PACK (4) OR
37811280	100-646	FULL SLAT PACK (4)
35440419	40B-744	TRUNDLE BED

WARNING:
THE BED SLATS WILL NOT SUPPORT A MATTRESS ALONE, THIS BED REQUIRES A BOX SPRING OR BUNKIE BOARD. SOLD SEPARATELY

PARTS LIST	QTY	PARTS LIST	QTY	HARDWARE LIST	QTY	TOOLS NEEDED
1 	1 Pcs	3 	1 Pc	A  5/16"-18 x 2 3/4" Bolt	8 Pcs	Phillips screwdriver (not included) 
2 	4 Pcs	4 	1 Pc	B  Allen wrench	1 Pc	Allen wrench (included) 
		5 	1 Pc	C  1 1/4" Screws	8 Pcs	
		6 	1 Pc	D  5/16"-18 x 3 3/8" Bolt	8 Pcs	



ASSEMBLY INSTRUCTIONS

STEP 1

 A
 B



Assemble storage rail

STEP 2

 A
 B

Assemble side rail
MAKE SURE ALL BOLTS ARE TIGHTENED COMPLETELY

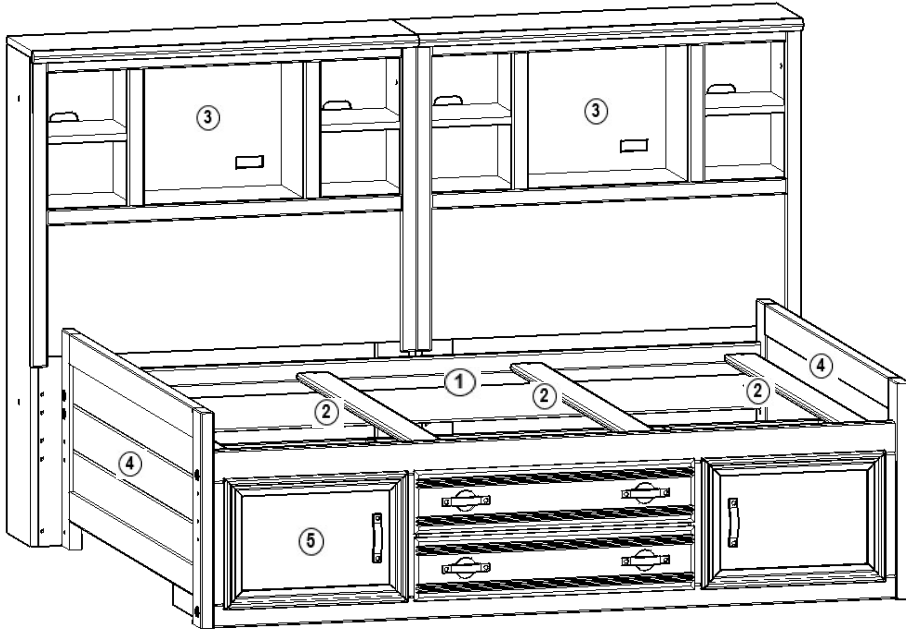
STEP 3

 C


Install slats, one on each end and two equally spaced in the middle, then fasten with 1 1/4" screws

For Trundle bed follow assembly instructions inside Trundle bed box, then slide under the bed as shown.


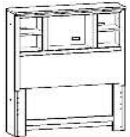






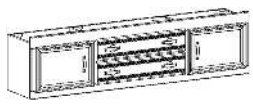


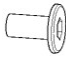

PARTS LIST



3534040P TWIN BOOKCASE WALL BED W/1 STORAGE RAIL CHARCOAL		
RTG SKU #	STYLE #	ITEM DESCRIPTION
34640400	40G-812	TWIN BOOKCASE HEADBOARD
34640400	40G-812	TWIN BOOKCASE HEADBOARD
34740402	40G-116	TWIN FOOTBOARD
34740402	40G-116	TWIN FOOTBOARD
35240403	40G-938	1 PC. SIDE RAIL
35340405	40G-940	STORAGE RAIL
38000232	100-645	TWIN SLAT PACK (4) OR
37711288	100-645	TWIN SLAT PACK (4)

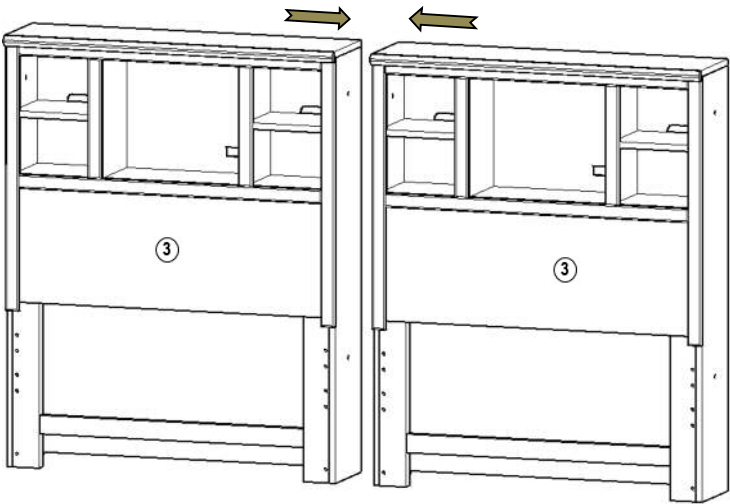
3534041P TWIN BOOKCASE WALL BED W/1 STORAGE RAIL CHESTNUT		
RTG SKU #	STYLE #	ITEM DESCRIPTION
34640412	40B-812	TWIN BOOKCASE HEADBOARD
34640412	40B-812	TWIN BOOKCASE HEADBOARD
34740414	40B-116	TWIN FOOTBOARD
34740414	40B-116	TWIN FOOTBOARD
35240415	40B-938	1 PC. SIDE RAIL
35340417	40B-940	STORAGE RAIL
38000232	100-645	TWIN SLAT PACK (4) OR
37711288	100-645	TWIN SLAT PACK (4)

WARNING:
THE BED SLATS WILL NOT SUPPORT A MATTRESS ALONE, THIS BED REQUIRES A BOX SPRING OR BUNKIE BOARD. SOLD SEPARATELY

PARTS LIST		QTY	PARTS LIST		QTY	HARDWARE LIST		QTY	TOOLS NEEDED	
1	 Side rail	1 Pcs	3	 Twin bookcase hdbd	2 Pc	A	 5/16"-18 x 2 3/4" Bolt	8 Pcs	Phillips screwdriver (not included) 	
2	 Twin slats	4 Pcs	4	 Twin footboard	2 Pc	B	 Allen wrench	1 Pc	Allen wrench (included) 	
			5	 Storage rail	1 Pc	C	 1 1/4" Screws	8 Pcs		
			D	 1/4-20x35 mm bolts	2 Pc					
			E	 1/4-20x17 Cup nut	2 Pcs					
						D	 Do not use 5/16"-18 x 3 3/8" Bolt	8 Pcs		

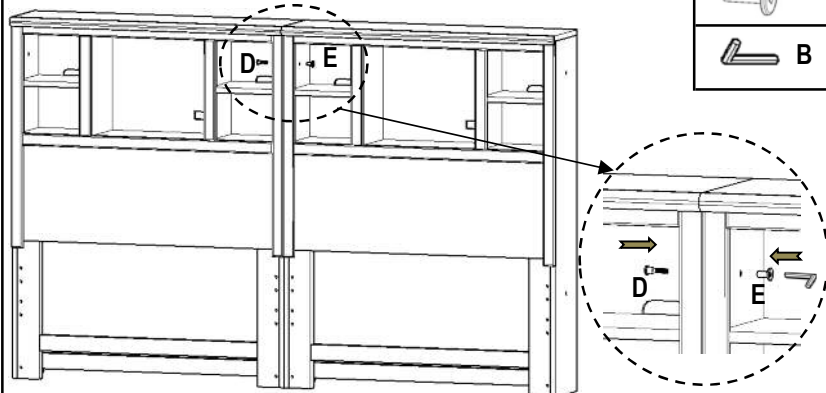
ASSEMBLY INSTRUCTIONS

STEP 1



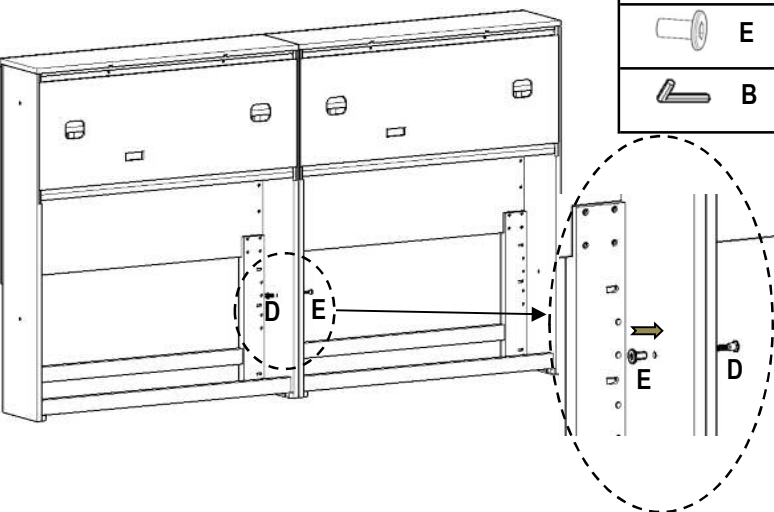
Place both headboards next to each other.

STEP 2



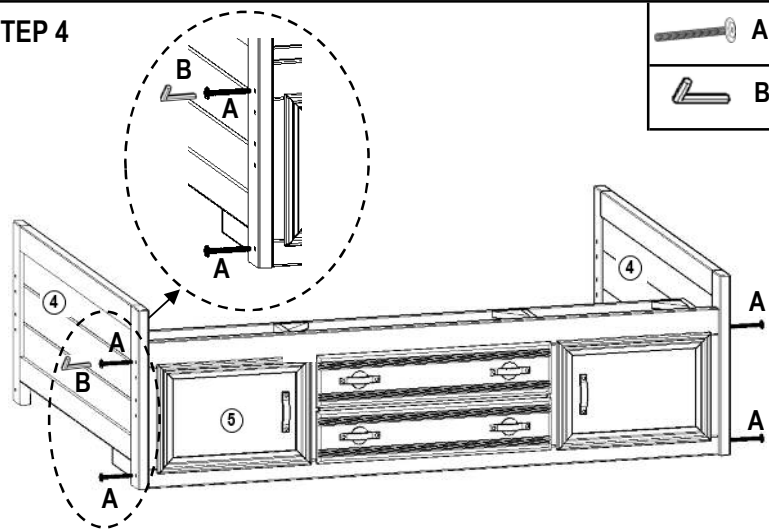
Fasten both headboards top part as shown.

STEP 3



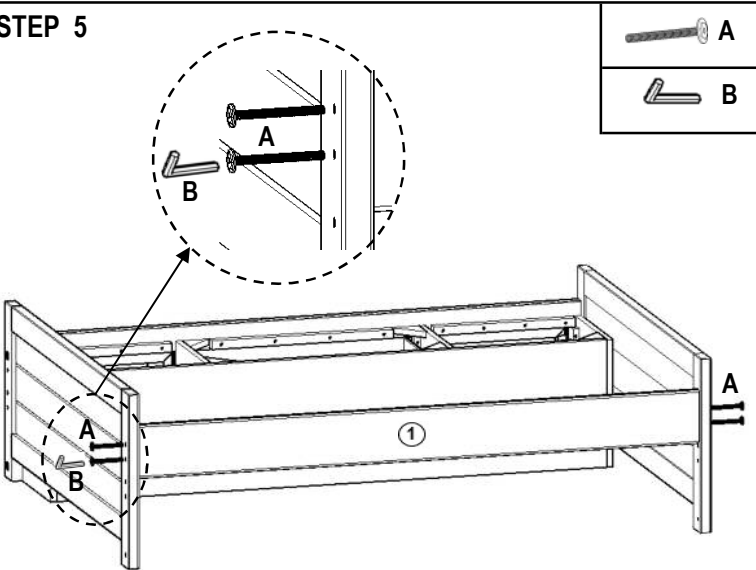
Fasten both headboards bottom part as shown.

STEP 4



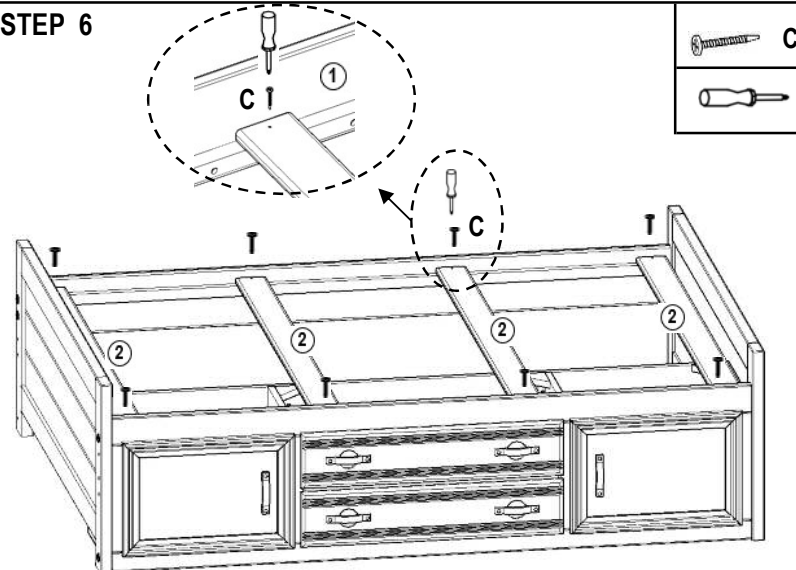
Assemble storage rail

STEP 5



Assemble side rail

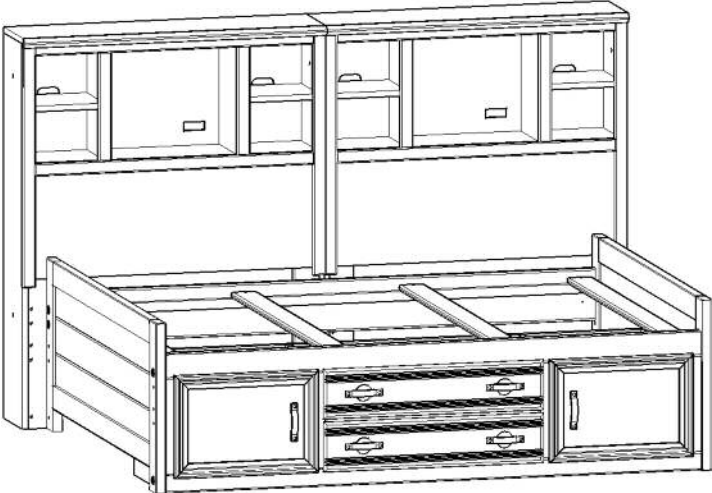
STEP 6



Install slats, one on each end, two equally spaced in the middle, then fasten with 1 1/4" screws.

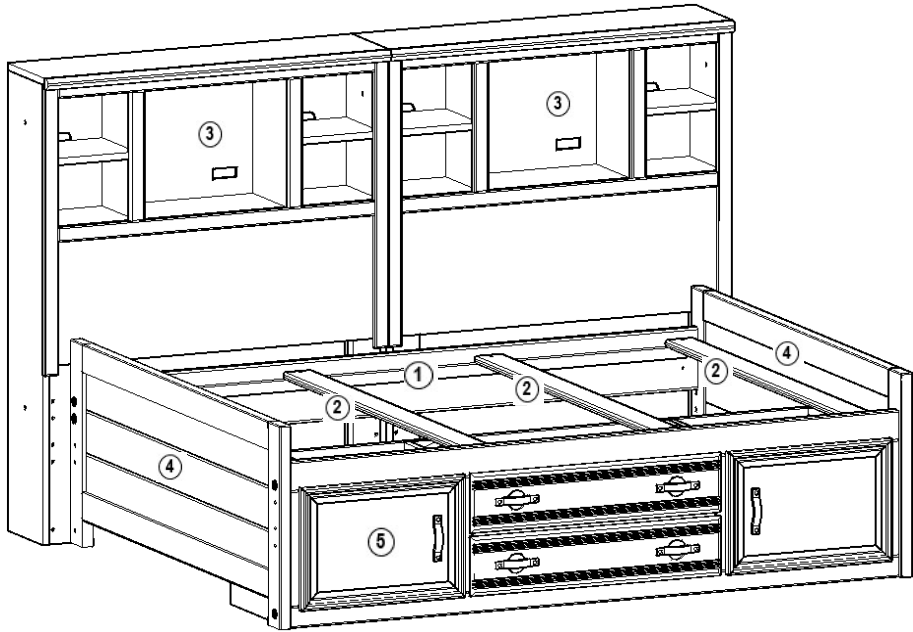
ASSEMBLY INSTRUCTIONS

STEP 7



Place all pieces in the room's desired position


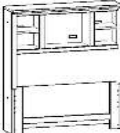



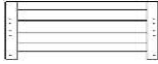


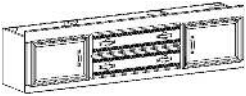


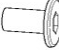

PARTS LIST



3554040P FULL BOOKCASE WALL BED W/1 STORAGE RAIL CHARCOAL		
RTG SKU #	STYLE #	ITEM DESCRIPTION
34640400	40G-812	TWIN BOOKCASE HEADBOARD
34640400	40G-812	TWIN BOOKCASE HEADBOARD
35040409	40G-118	FULL FOOTBOARD
35040409	40G-118	FULL FOOTBOARD
35240403	40G-938	1 PC. SIDE RAIL
35340405	40G-940	STORAGE SIDE RAIL
38100234	100-646	FULL SLAT PACK (4) OR
37811280	100-646	FULL SLAT PACK (4)

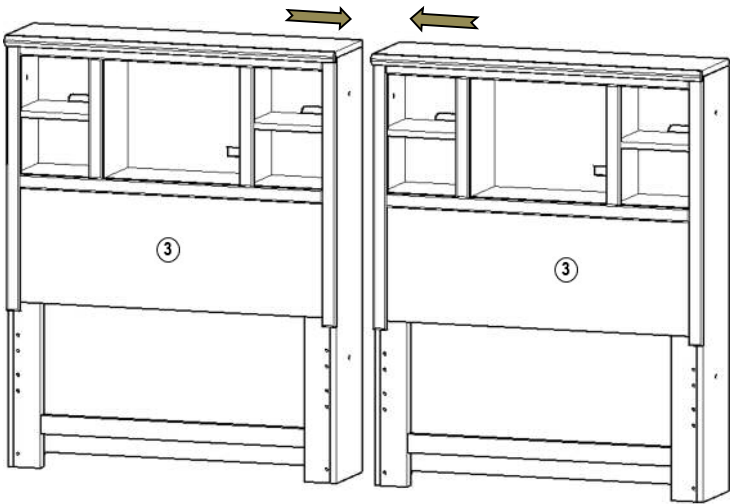
3554041P FULL BOOKCASE WALL BED W/1 STORAGE RAIL CHESTNUT		
RTG SKU #	STYLE #	ITEM DESCRIPTION
34640412	40B-812	TWIN BOOKCASE HEADBOARD
34640412	40B-812	TWIN BOOKCASE HEADBOARD
35040411	40B-118	FULL FOOTBOARD
35040411	40B-118	FULL FOOTBOARD
35240415	40B-938	1 PC. SIDE RAIL
35340417	40B-940	STORAGE SIDE RAIL
38100234	100-646	FULL SLAT PACK (4) OR
37811280	100-646	FULL SLAT PACK (4)

WARNING:
THE BED SLATS WILL NOT SUPPORT A MATTRESS ALONE, THIS BED REQUIRES A BOX SPRING OR BUNKIE BOARD. SOLD SEPARATELY

PARTS LIST		QTY	PARTS LIST		QTY	HARDWARE LIST		QTY	TOOLS NEEDED	
1	 Side rail	1 Pcs	3	 Twin bookcase hdbd	2 Pc	A	 5/16"-18 x 2 3/4" Bolt	8 Pcs	Phillips screwdriver (not included) 	
2	 Full slats	4 Pcs	4	 Full footboard	2 Pc	B	 Allen wrench	1 Pc	Allen wrench (included) 	
			5	 Storage rail	1 Pc	C	 1 1/4" Screws	8 Pcs		
						D	 1/4-20x35 mm bolts	2 Pc		
						E	 1/4-20x17 Cup nut	2 Pcs		
						D	Do not use  5/16"-18 x 3 3/8" Bolt	8 Pcs		

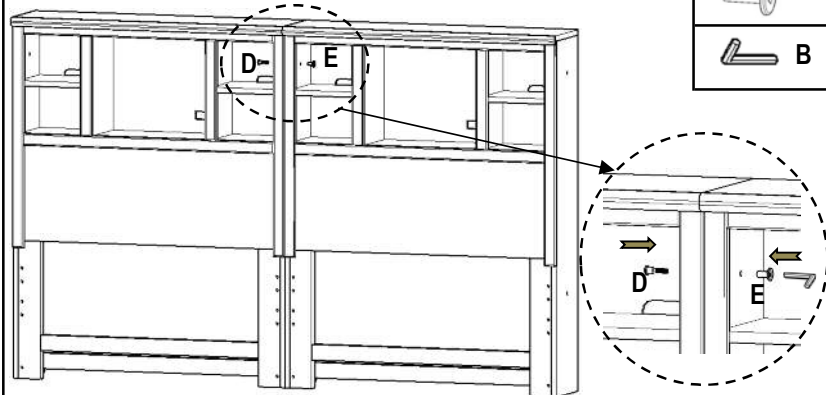
ASSEMBLY INSTRUCTIONS

STEP 1



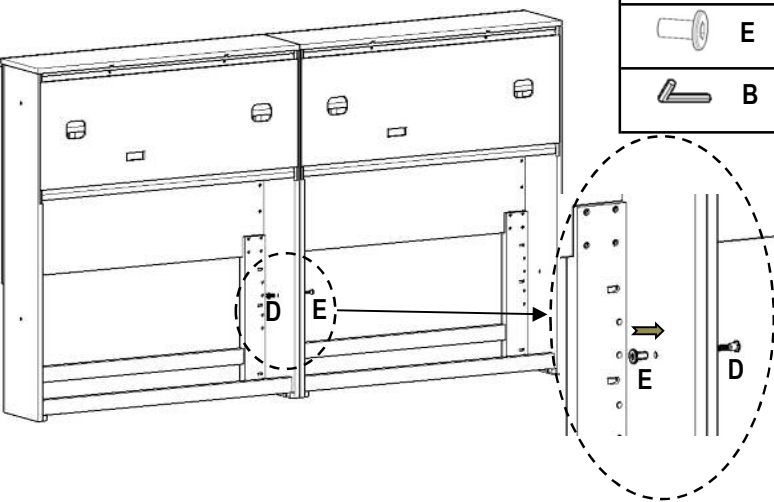
Place both headboards next to each other.

STEP 2



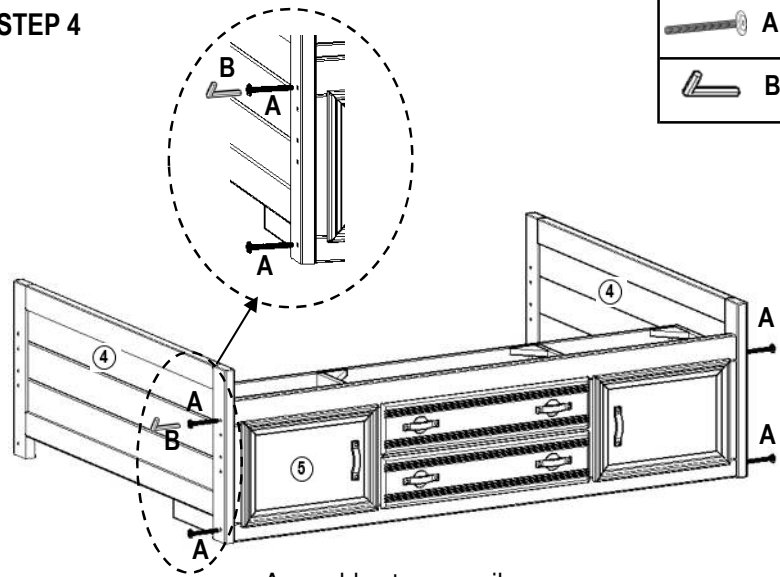
Fasten both headboards top part as shown.

STEP 3



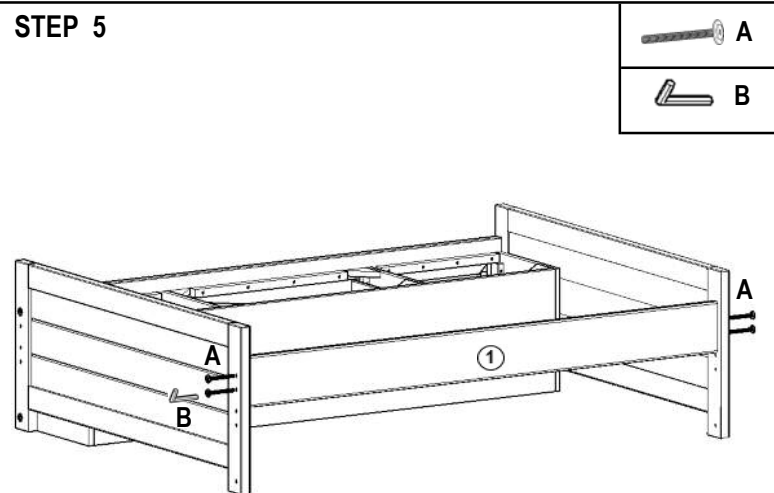
Fasten both headboards bottom part as shown.

STEP 4



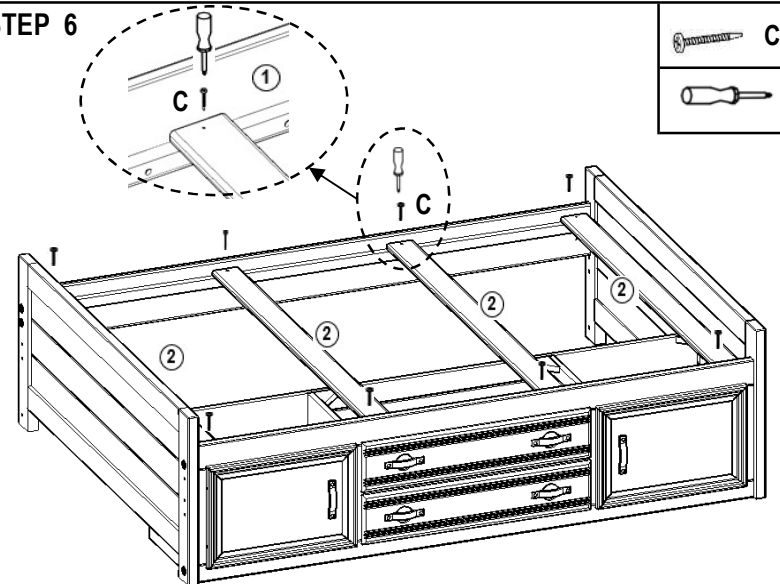
Assemble storage rail

STEP 5



Assemble side rail

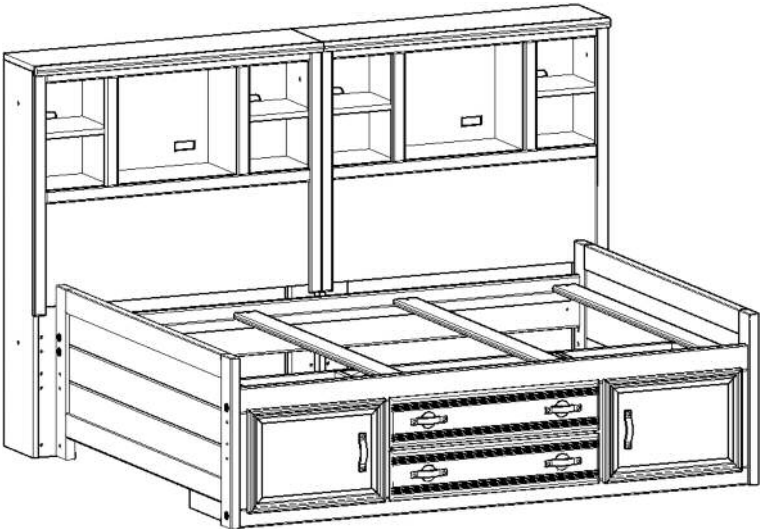
STEP 6



Install slats, one on each end, two equally spaced in the middle, then fasten with 1 1/4" screws.

ASSEMBLY INSTRUCTIONS

STEP 7



Place all pieces in the room's desired position