


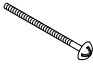

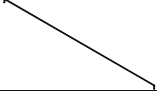
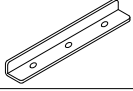

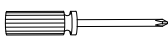
**ROOMS
TO GO**

LWYE ASSEMBLY INSTRUCTIONS
TRUNDLE

MODEL : 7460 / 7461
/ 7462

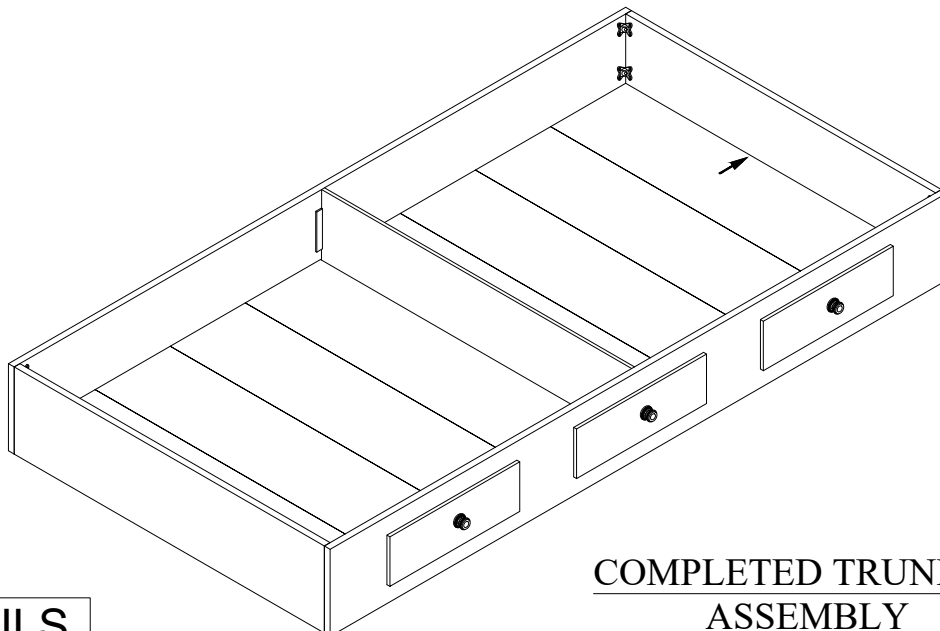
7460 / 7461 / 7462 - 10 SKU # 34907468 / 34917469 / 34927460

Thank you for purchasing this quality product. Be sure to check all packing material carefully for small parts. Which may have come loose inside the carton during shipment. Identify and count all parts and compare with the hardware list below :

| Hardware List | No. | Picture | Description | Dimension | Qty |
|---------------|-----|---|------------------|------------|-------|
| | ① |  | Handle | | 3 Pcs |
| | ② |  | Handle Screw | 4 x 38mm | 3 Pcs |
| | ③ |  | Hinges Screw | | 8 Pcs |
| | ④ |  | Metal Rod | | 1 Pc |
| | ⑤ |  | Protector | | 2 Pcs |
| | ⑥ |  | Truss CB Screw | 3.5 x 16mm | 6 Pcs |
| | ⑦ |  | Screw Driver (*) | | 1 Pc |

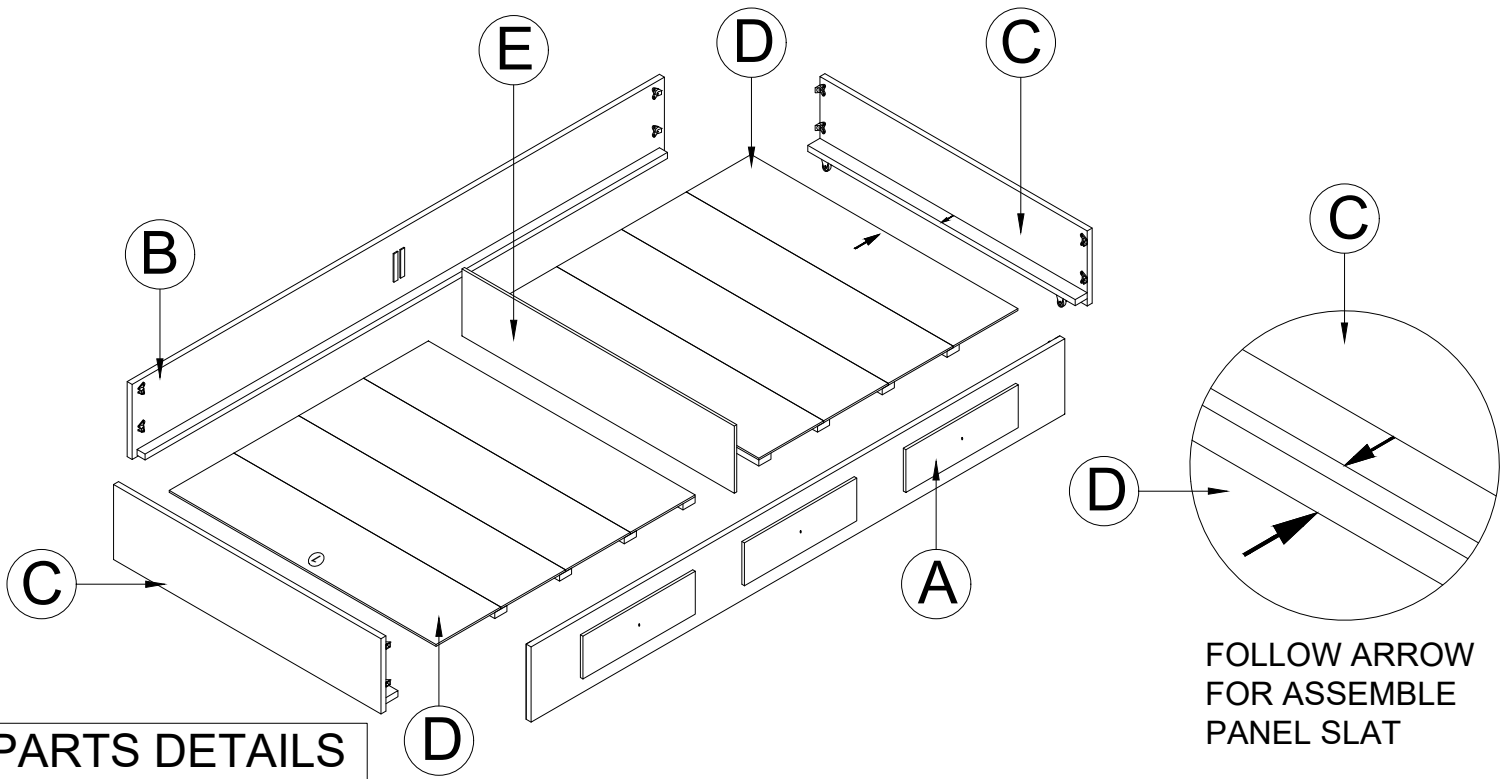
| Parts List | No. | Description | Qty |
|------------|-----|-----------------|--------|
| | A | Front Panel | 1 Pc |
| | B | Back Panel | 1 Pc |
| | C | Side Panel | 2 Pcs |
| | D | Panel Slats | 2 Sets |
| | E | Partition Panel | 1 Pc |

Notes : (*) The manufacturer does NOT provided Item 7.



COMPLETED TRUNDLE
ASSEMBLY

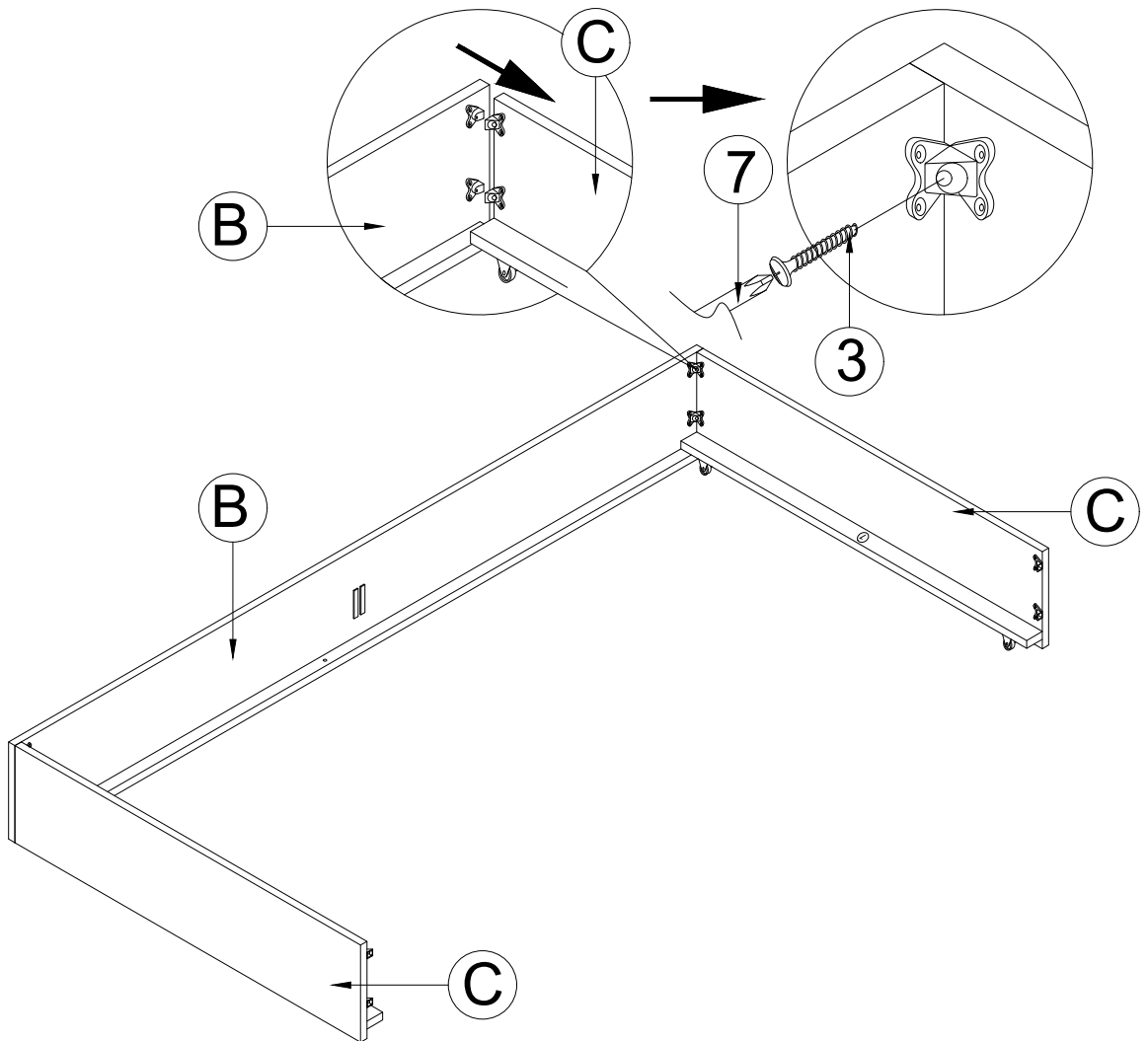
PARTS DETAILS



Assembly step

STEP 1

Slot in back panel to side panel.



NOTE :

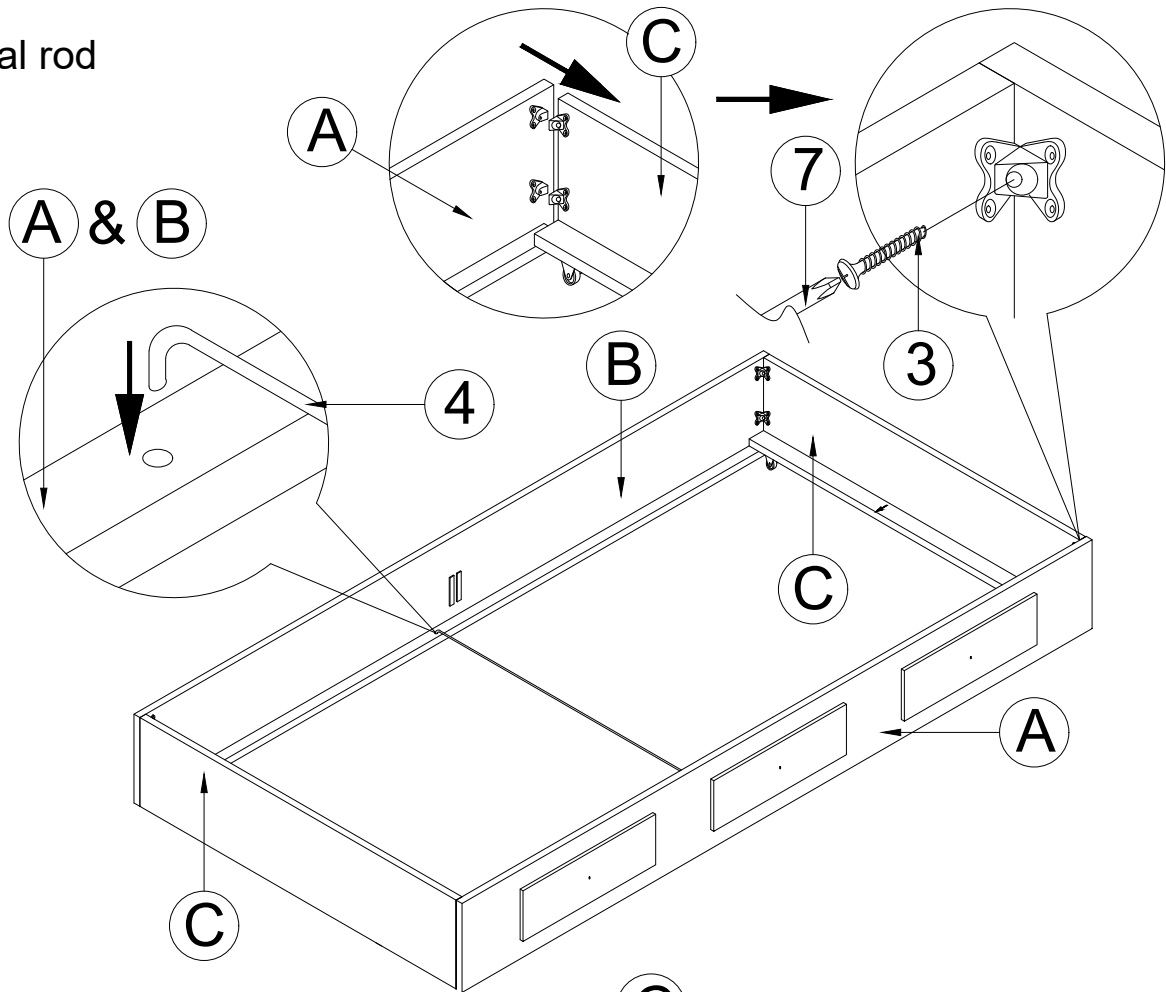
Assembly step

STEP 2

Slot in front panel to side panel.

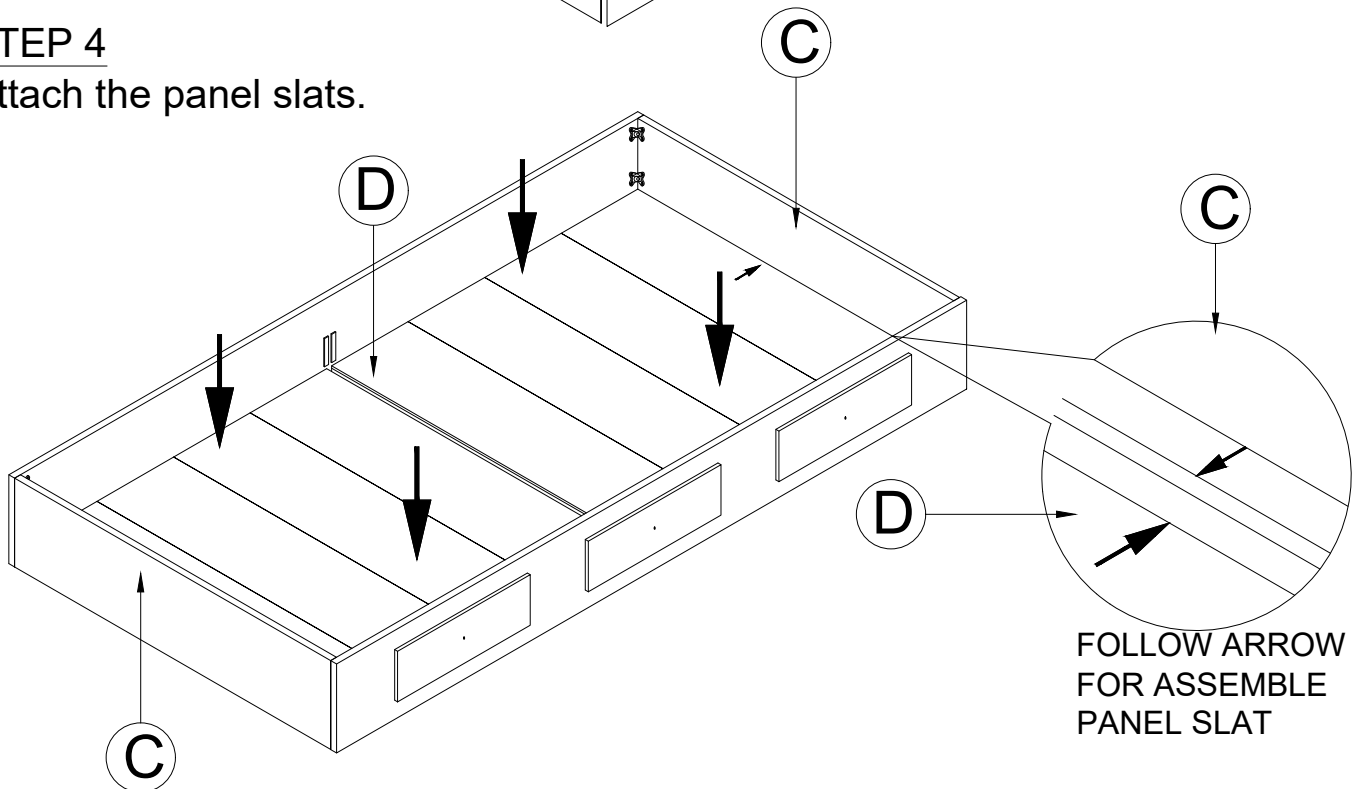
STEP 3

Insert metal rod



STEP 4

Attach the panel slats.

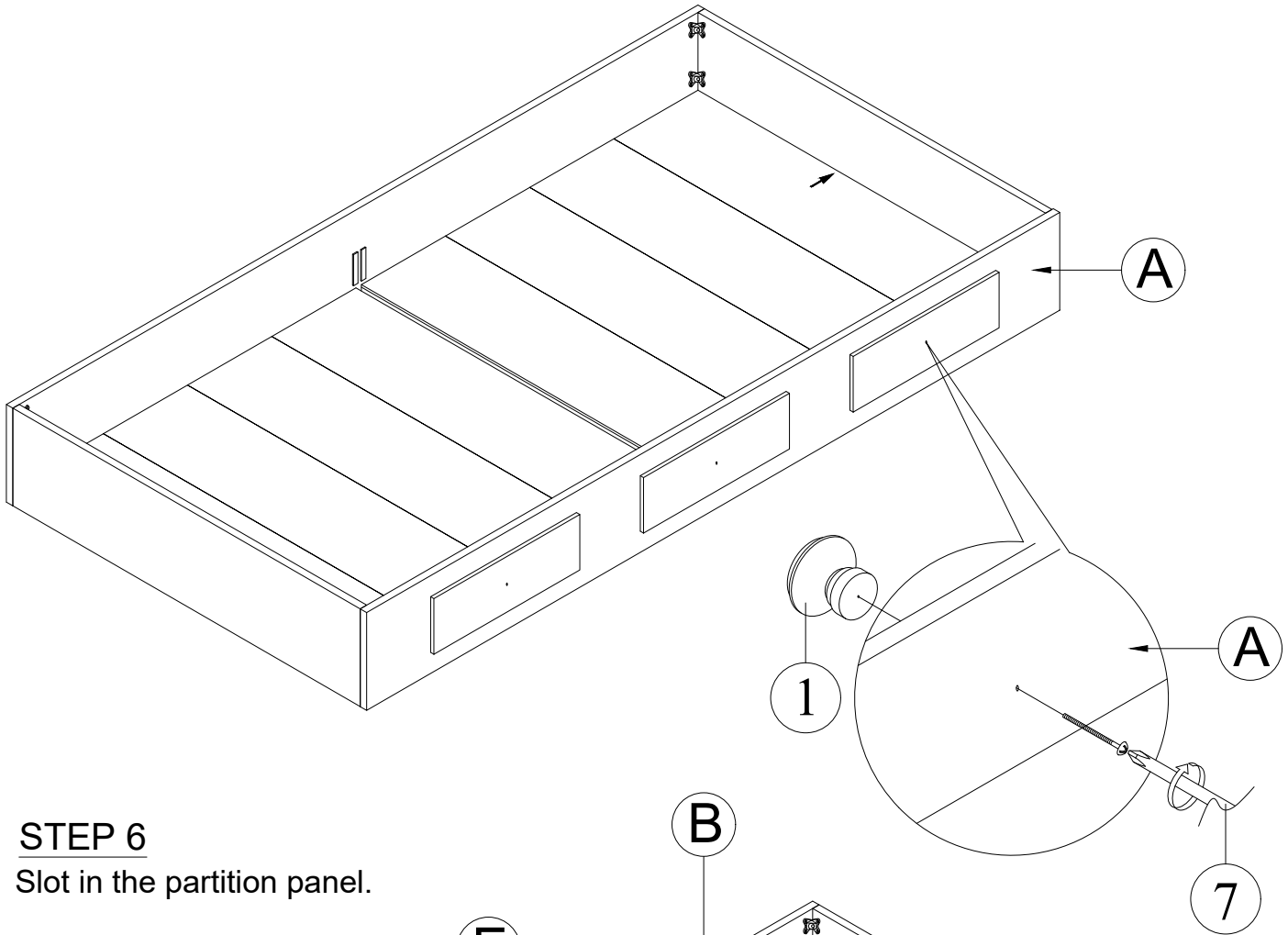


NOTE :

Assembly step

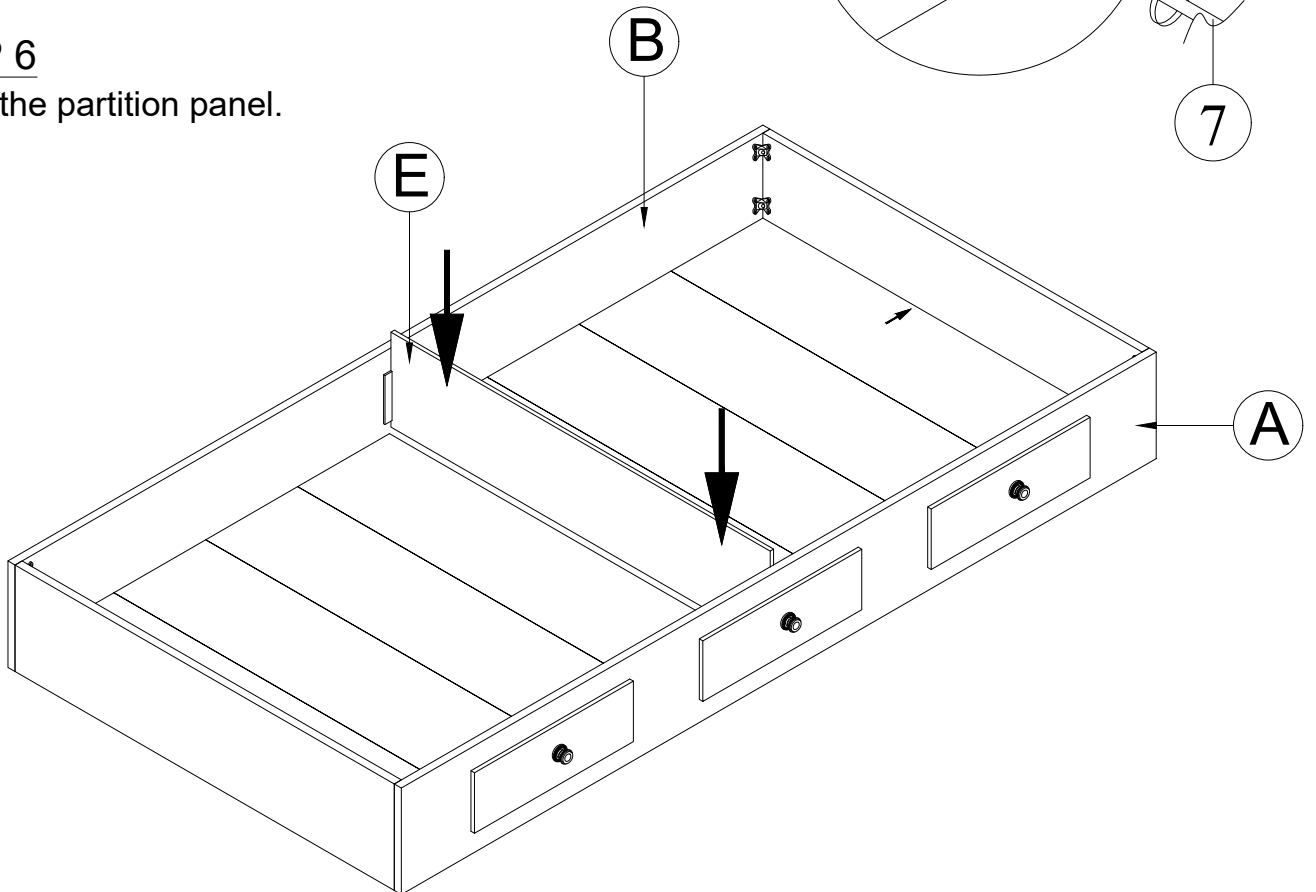
STEP 5

Assembly handle to trundle



STEP 6

Slot in the partition panel.

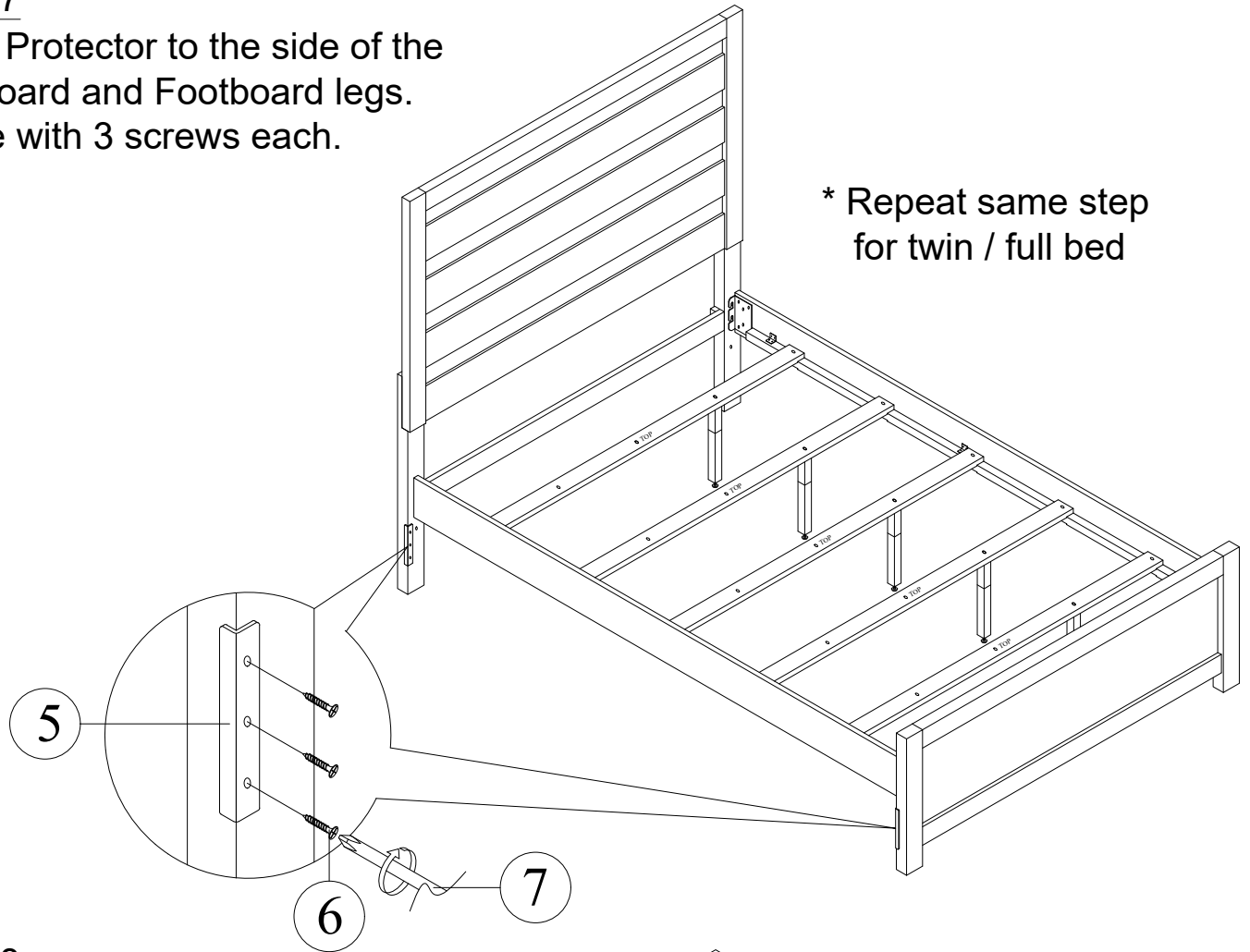


NOTE :

Assembly step

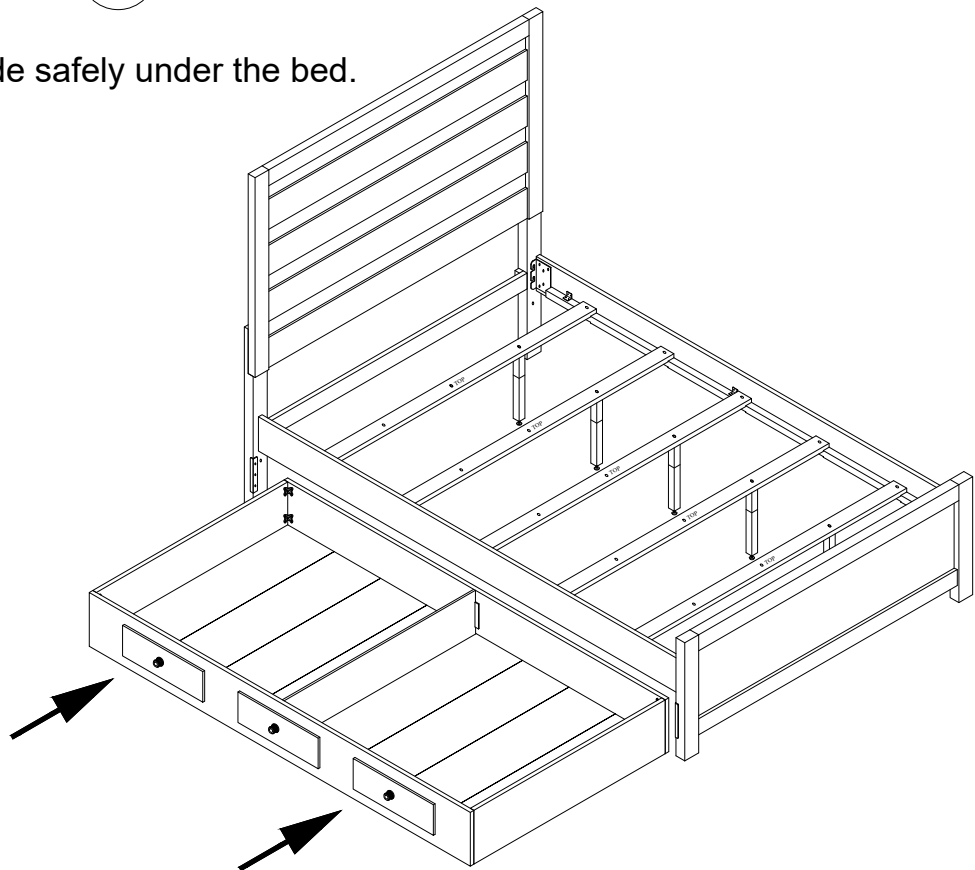
STEP 7

Attach Protector to the side of the Headboard and Footboard legs. Secure with 3 screws each.



STEP 8

Trundle can now be slide safely under the bed.



NOTE :