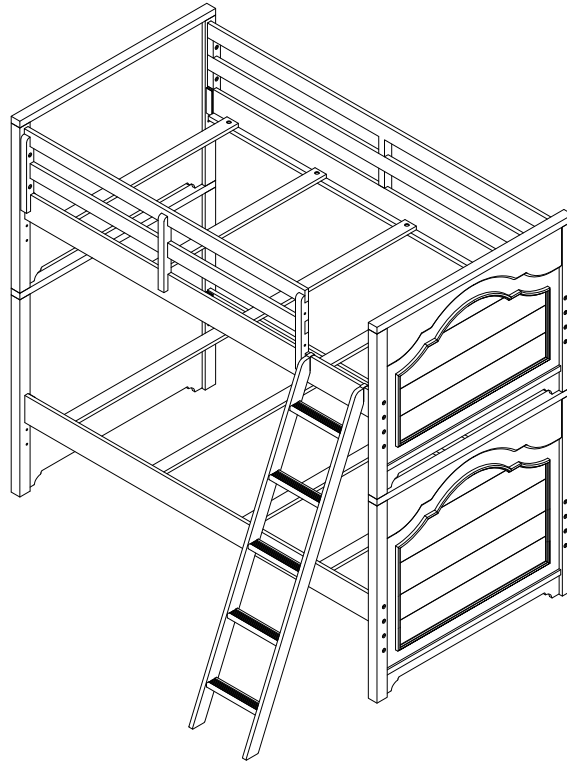


# COUNTRY HOLLOW

## TWIN / TWIN BUNK BED



**Use only correct mattress dimensions and Bunkie board:**

Twin size Mattress - 74-1/2" long and 38" wide  
Twin size Bunkie Board - 74" long and 37-1/2" wide

349951P TWIN / TWIN BUNK BED -FAWN		
RTG SKU #	STYLE#	ITEM DESCRIPTION
35399511	9951-8110	BUNK SIDE RAILS W/ 2 SETS 4 TWIN SLATS
35599515	9951-8120	LADDER & GUARD RAIL
35299519	9951-8130U	UPPER BUNK ENDS
35799519	9951-8130L	LOWER BUNK ENDS

**PLEASE CONTACT YOUR RETAIL STORE WITH SERVICE OR PARTS REPLACEMENT REQUEST**

This product is manufactured by LEGC for **ROOMS TO GO** | **KIDS**

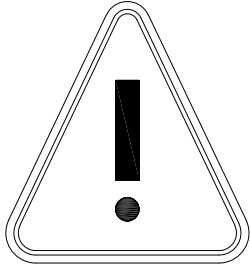
# MATTRESS AND BUNKIE BOARD CHART

PACKAGE	DESCRIPTION	TOP BED	BOTTOM BED
3499951P FAWN	TWIN / TWIN BUNK BED	Twin Mattress Twin Bunkie board Required	Twin Mattress Twin Bunkie board Required

**Use only correct mattress dimensions and Bunkie board:**

Twin size Mattress - 74-1/2" long and 38" wide  
Twin size Bunkie Board - 74" long and 37-1/2" wide

This product is manufactured by LEGC for **ROOMS TO GO** | **KIDS**



## **WARNING DANGER:**

Failure to follow these warnings and assembly instructions could result in serious injury or death. To help prevent serious or fatal injuries from entrapment or falls:

- Read all instructions before assembling bunk bed and keep these instructions for future reference.
- Before each usage or assembly, inspect bunk bed for damaged hardware, loose joints, missing parts, or sharp edges. DO NOT use bunk bed if any parts are missing or broken.
- DO NOT use substitute parts. Contact your local Rooms To Go or visit [www.ROOMSTOGO.com](http://www.ROOMSTOGO.com) for replacement parts and instructional literature if needed.
- Follow the information on the warnings appearing on the upper bunk end structure and on the carton.  
**DO NOT REMOVE WARNING LABEL FROM BED.**
- Always use the recommended size mattresses or mattress supports, or both, to help prevent the likelihood of entrapment or falls.
- Ensure thickness of mattress and foundation combined does not exceed 10" and mattress surface is at least 5" (127mm) below upper edge of guardrails for the upper bunk.
- Do not allow children under 6 years of age to use the upper bunk.
- Periodically check and ensure that the guardrail, ladder, and other components are in their proper position, free from damage, and that all connectors are tight.
- Do not allow horseplay on or under the bed and prohibit jumping on the bed.
- Limit top bunk use to one person.
- Always use the ladder for entering and leaving the upper bunk.
- Use of a night light may provide added safety precaution for a child using the upper bunk.
- Always use guardrails on both long sides of the upper bunk. If the bunk bed will be placed next to the wall, the guardrail that runs the full length of the bed should be placed against the wall to prevent entrapment between the bed and wall.
- The use of water or sleep flotation mattresses is prohibited.
- This bunk bed meets all the requirements of ASTM F1427-21.



### **STRANGULATION HAZARD:**

Never attach or hang items to any part of the bunk bed that are not designed for use with the bed; for example, but not limited to, hooks, belts and jump ropes.

This product is manufactured by LEGC for **ROOMS TO GO** | **KIDS**

## **Pre-Assembly**

### **Warning:**

The bed slats included with this bed will not support a mattress alone, this bed requires Bunkie boards (sold separately).

Read all the instructions, identify all components, choose your configuration, and be sure you have all parts prior to assembly.

Two people are needed to assemble.

### **Tools Needed**

Phillips heads screwdriver (not included)  
4mm allen wrench (included)

**MAKE SURE ALL BOLTS ARE TIGHTENED COMPLETELY**

### **CARE INSTRUCTIONS:**

Dust with a clean, soft cloth. Avoid the use of all abrasive cleaners.

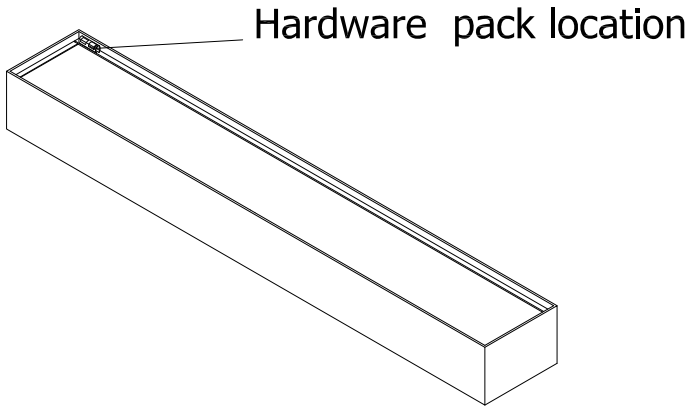
PLEASE CONTACT YOUR RETAIL STORE WITH SERVICE OR PARTS REPLACEMENT REQUEST

This product is manufactured by LEGC for **ROOMS TO GO** | **KIDS**


Thank you for purchasing this quality product. Be sure to check all packing materials carefully for small parts which may have come loose inside the carton during shipment. Identify and count all parts and compare with the parts list. Read all instructions before assembling furniture and keep these instructions for future reference.

## Hardware Pack Location

3499951P TWIN / TWIN BUNK BED -FAWN		
RTG SKU	STYLE#	ITEM DESCRIPTION
35399511	9951-8110	BUNK SIDE RAILS W/ 2 SETS 4 TWIN SLATS



## HARDWARE LIST

BUNK SIDE RAILS W/ 2 SETS 4 TWIN SLATS HARDWARE LIST			
	ITEM DESCRIPTION	IMAGE	Q'TY
G	LONG SCREW	 Ø8*32mm	16PCS

DO NOT USE SUBSTITUTE PARTS.  
PLEASE CONTACT YOUR RETAIL STORE OR [WWW.ROOMSTOGO.COM](http://WWW.ROOMSTOGO.COM) WITH SERVICE OR PARTS REPLACEMENT REQUEST.

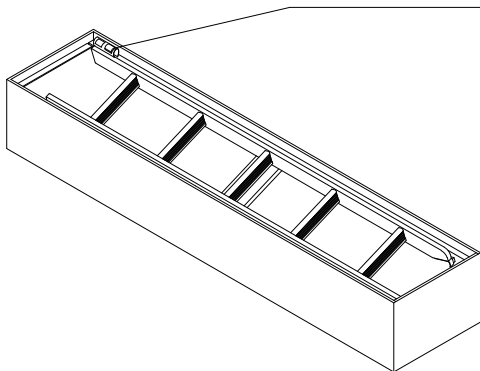
This product is manufactured by LEGC for **ROOMS TO GO** | **KIDS™**

Thank you for purchasing this quality product. Be sure to check all packing materials carefully for small parts which may have come loose inside the carton during shipment. Identify and count all parts and compare with the parts list. Read all instructions before assembling furniture and keep these instructions for future reference.


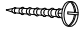

## Hardware Pack Location

3499951P TWIN / TWIN BUNK BED -FAWN		
RTG SKU	STYLE#	ITEM DESCRIPTION
35599515	9951-8120	LADDER & GUARD RAIL

### Hardware pack location



## HARDWARE LIST

LADDER & GUARD RAIL HARDWARE LIST							
	ITEM DESCRIPTION	IMAGE	Q'TY		ITEM DESCRIPTION	IMAGE	Q'TY
H	BOLT	 Ø1/4"*14*45mm	6PCS	I	SHORT SCREW	 Ø7"*18mm	8PCS
E	ALLEN KEY	 60*22*4mm	1 PC				

DO NOT USE SUBSTITUTE PARTS.  
PLEASE CONTACT YOUR RETAIL STORE OR [WWW.ROOMSTOGO.COM](http://WWW.ROOMSTOGO.COM) WITH SERVICE OR PARTS REPLACEMENT REQUEST.

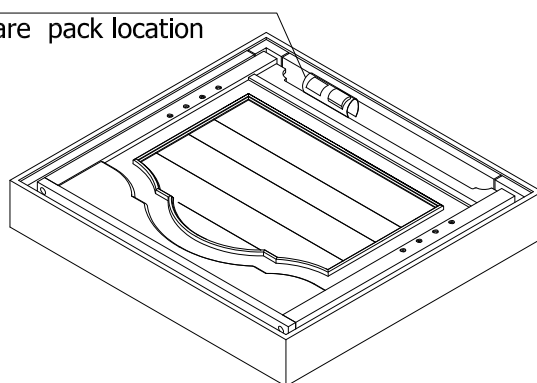
This product is manufactured by LEGC for **ROOMS TO GO** | **KIDS™**

Thank you for purchasing this quality product. Be sure to check all packing materials carefully for small parts which may have come loose inside the carton during shipment. Identify and count all parts and compare with the parts list. Read all instructions before assembling furniture and keep these instructions for future reference.


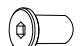


## Hardware Pack Location

3499951P TWIN / TWIN BUNK BED -FAWN		
RTG SKU	STYLE#	ITEM DESCRIPTION
35299519	9951-8130U	UPPER BUNK ENDS

Hardware pack location



## HARDWARE LIST

UPPER BUNK ENDS HARDWARE LIST							
	ITEM DESCRIPTION	IMAGE	Q'TY		ITEM DESCRIPTION	IMAGE	Q'TY
A	LONG BOLT	 Ø1/4"*14*64mm	8PCS	C	HOLE COVER	 Ø1/4"*14*15mm	8PCS
B	SHORT BOLT	 Ø1/4"*14*38mm	8PCS	E	ALLEN KEY	 60*22*4mm	2PCS

DO NOT USE SUBSTITUTE PARTS.  
PLEASE CONTACT YOUR RETAIL STORE OR [WWW.ROOMSTOGO.COM](http://WWW.ROOMSTOGO.COM) WITH SERVICE OR PARTS REPLACEMENT REQUEST.

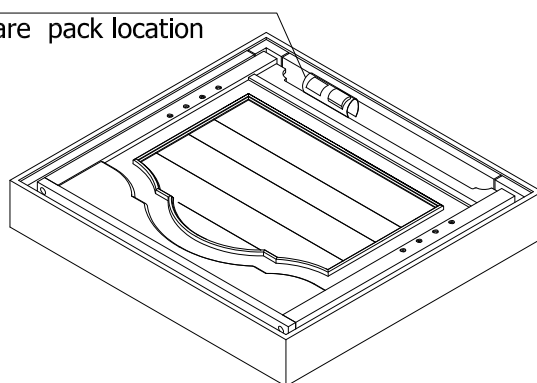
This product is manufactured by LEGC for **ROOMS TO GO** | **KIDS™**

Thank you for purchasing this quality product. Be sure to check all packing materials carefully for small parts which may have come loose inside the carton during shipment. Identify and count all parts and compare with the parts list. Read all instructions before assembling furniture and keep these instructions for future reference.


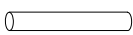




## Hardware Pack Location

3499951P TWIN / TWIN BUNK BED -FAWN		
RTG SKU	STYLE#	ITEM DESCRIPTION
35799519	9951-8130L	LOWER BUNK ENDS

Hardware pack location



## HARDWARE LIST

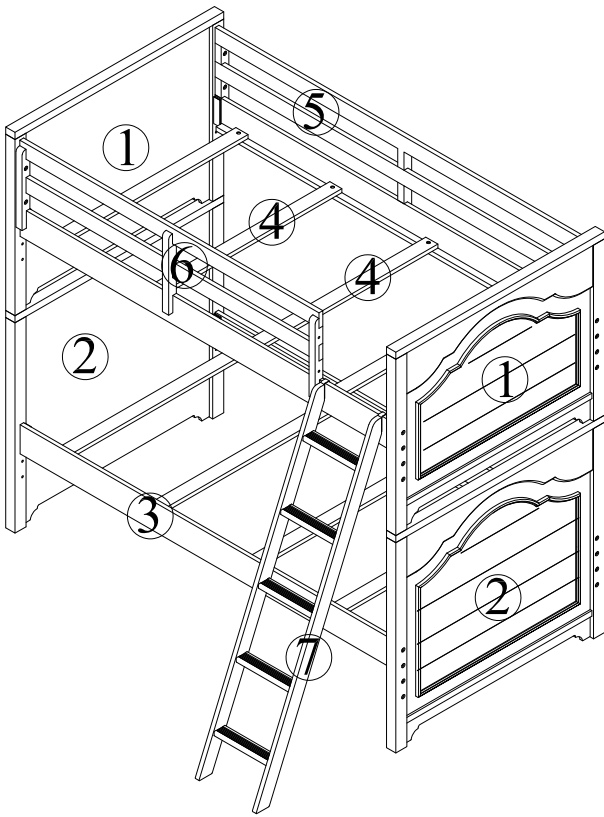
LOWER BUNK ENDS HARDWARE LIST							
	ITEM DESCRIPTION	IMAGE	Q'TY		ITEM DESCRIPTION	IMAGE	Q'TY
A	LONG BOLT	 Ø1/4"*14*64mm	8PCS	D	DIA PIN	 Ø10*90mm	4PCS
B	SHORT BOLT	 Ø1/4"*14*38mm	8PCS	E	ALLEN KEY	 60*22*4mm	2PCS
C	HOLE COVER	 Ø1/4"*14*15mm	8PCS	F	WOODEN HOLE COVER	 Ø28*33mm	4PCS

**DO NOT USE SUBSTITUTE PARTS.**  
PLEASE CONTACT YOUR RETAIL STORE OR [WWW.ROOMSTOGO.COM](http://WWW.ROOMSTOGO.COM) WITH SERVICE OR PARTS REPLACEMENT REQUEST.

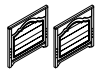
This product is manufactured by LEGC for **ROOMS TO GO | KIDS™**



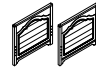
## PARTS LIST



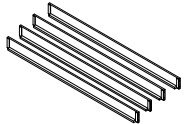

### UPPER BUNK ENDS PARTS LIST

	ITEM DESCRIPTION	IMAGE	Q'TY
①	UPPER BUNK ENDS		2 PCS

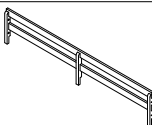
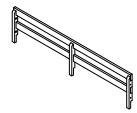

### LOWER BUNK ENDS PARTS LIST

	ITEM DESCRIPTION	IMAGE	Q'TY
②	LOWER BUNK ENDS		2 PCS

### BUNK SIDE RAILS W/ 2 SETS 4 TWIN SLATS PARTS LIST

	ITEM DESCRIPTION	IMAGE	Q'TY
③	SIDE RAIL		4 PCS
④	SLAT		8 PCS

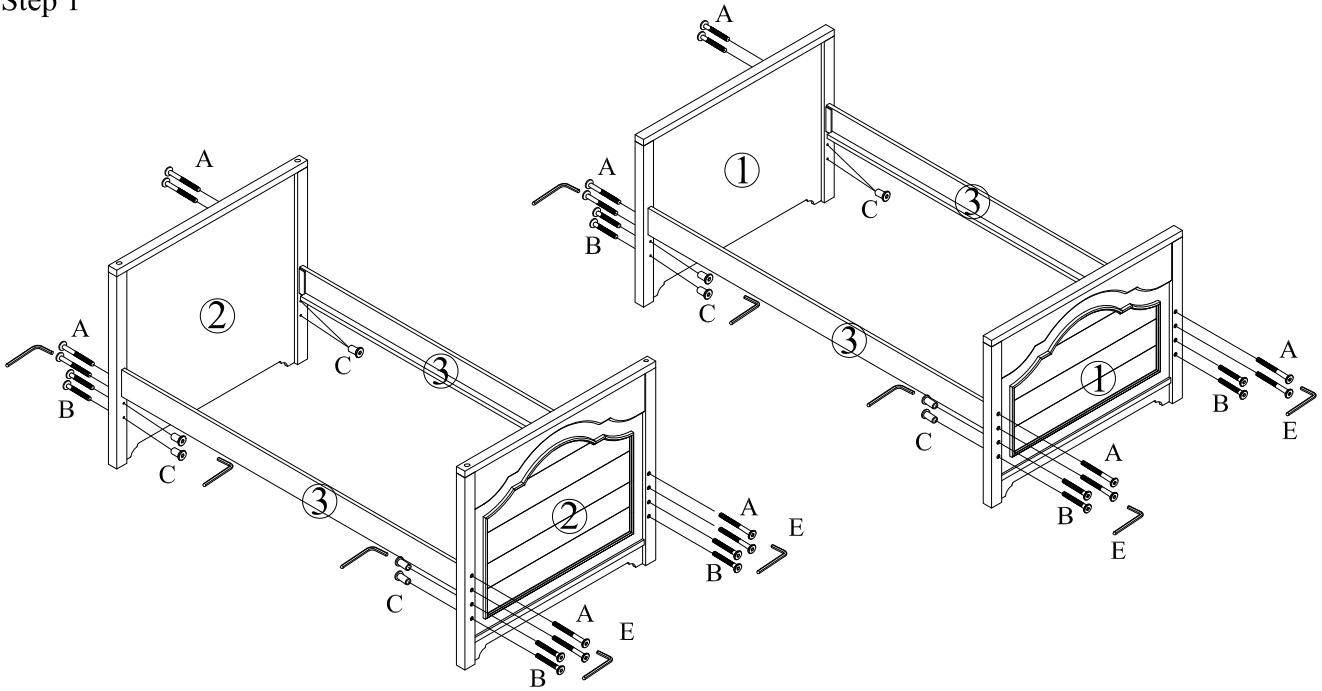
### LADDER AND GUARD RAIL PARTS LIST

	ITEM DESCRIPTION	IMAGE	Q'TY
⑤	GUARD RAIL-Long		1 PC
⑥	GUARD RAIL-Short		1 PC
⑦	LADDER		1 PC

This product is manufactured by LEGC for **ROOMS TO GO** | **KIDS**

# Assembly Instructions:

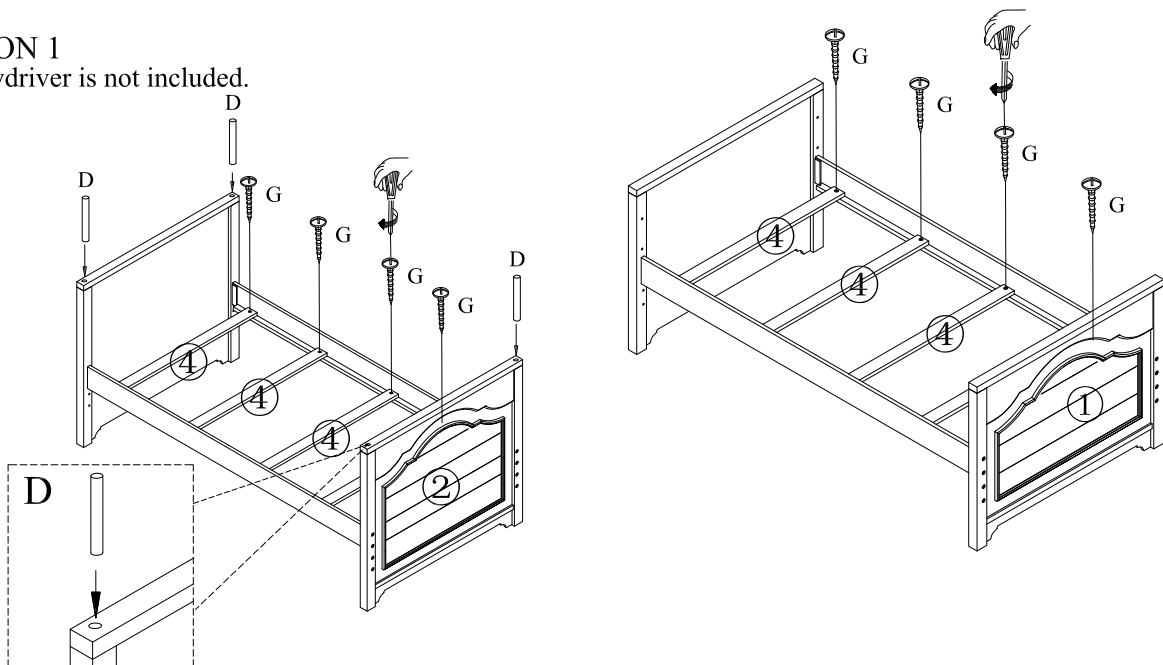
## Step 1



## Step 2

### OPTION 1

\*Screwdriver is not included.

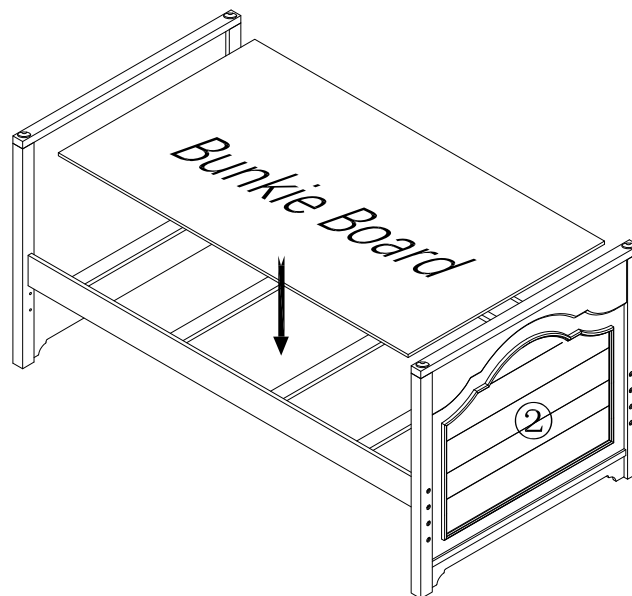
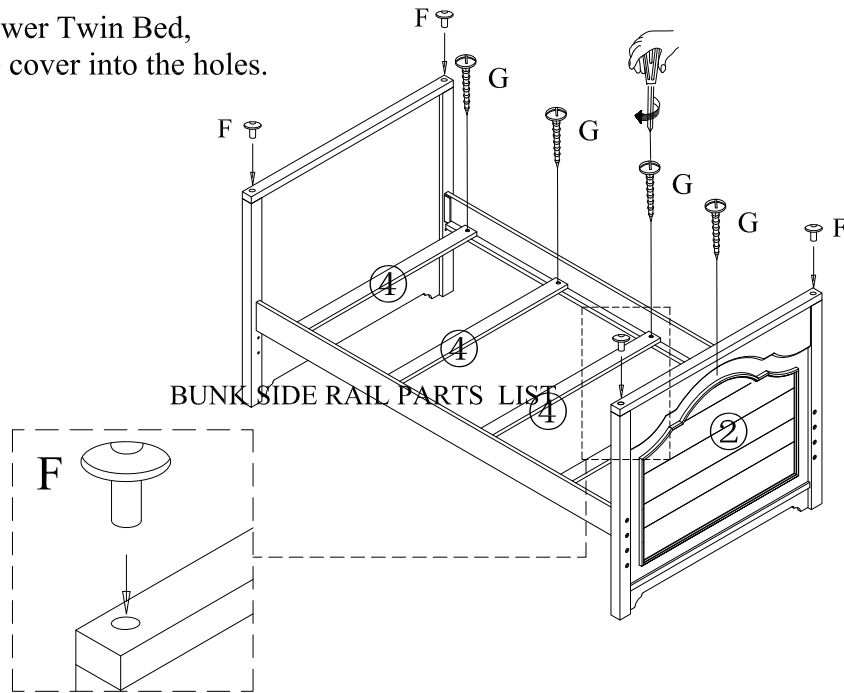


This product is manufactured by LEGC for ROOMS TO GO | KIDS™

## Assembly Instructions:

### OPTION 2

\*If only use the lower Twin Bed,  
Put wooden hole cover into the holes.



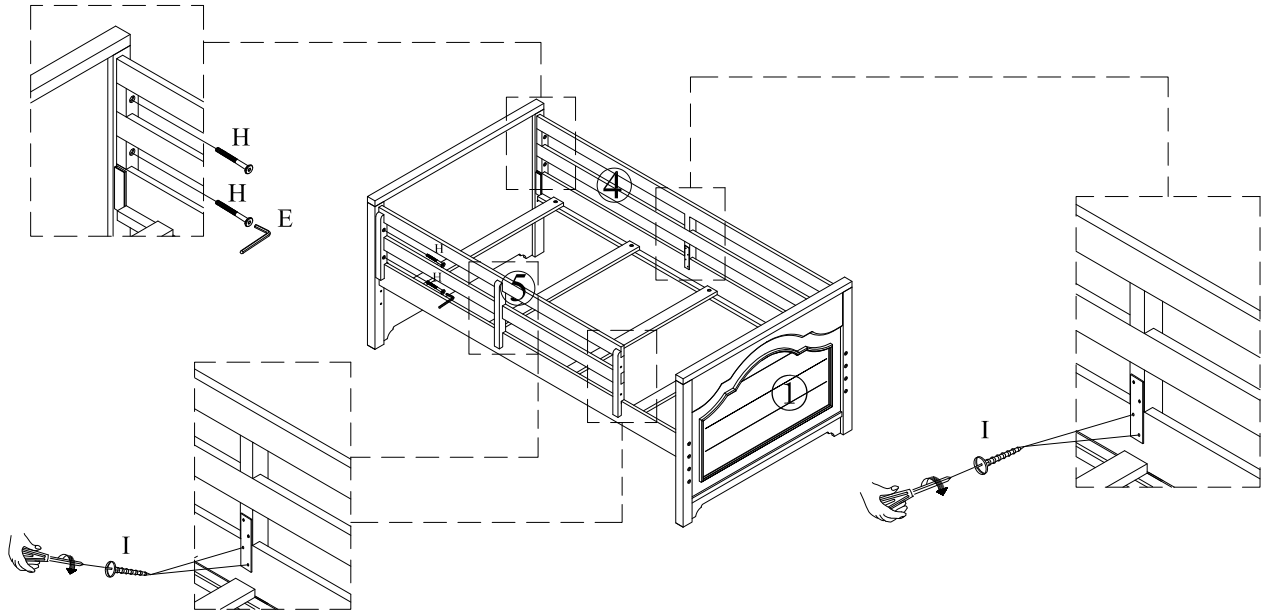
**PLACE BUNKIE BOARD (REQUIRED, SOLD SEPARATELY) ON THE SLATS.**

This product is manufactured by LEGC for **ROOMS TO GO** | **KIDS**

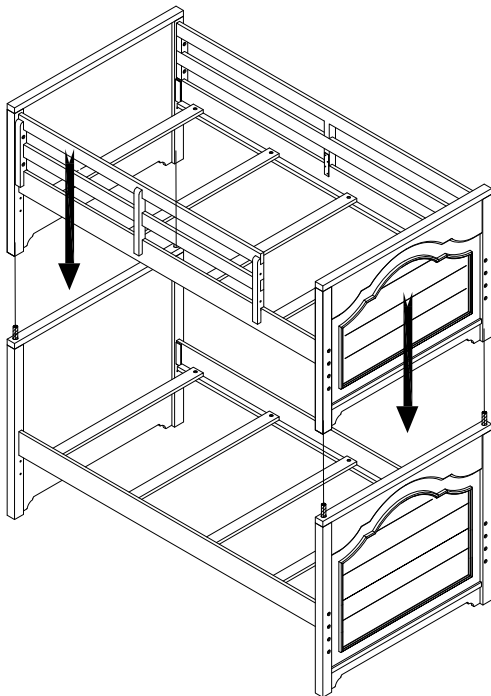
## Assembly Instructions:

### Step 3

\*Screwdriver is not included.

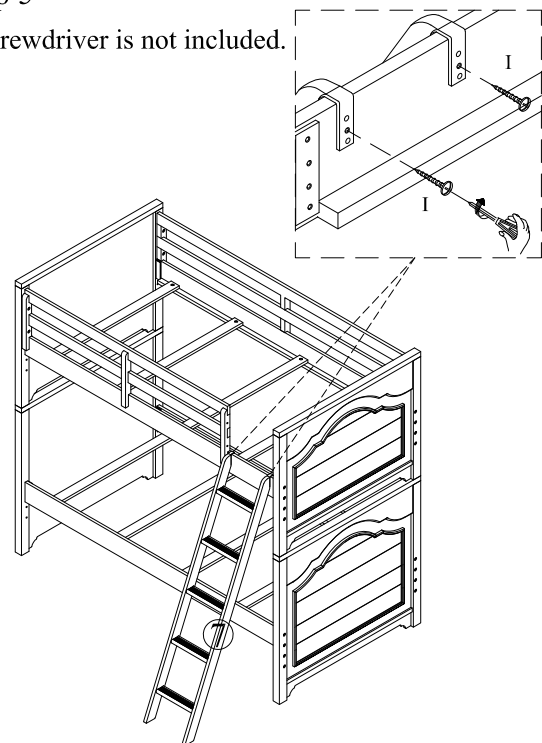


### Step 4



### Step 5

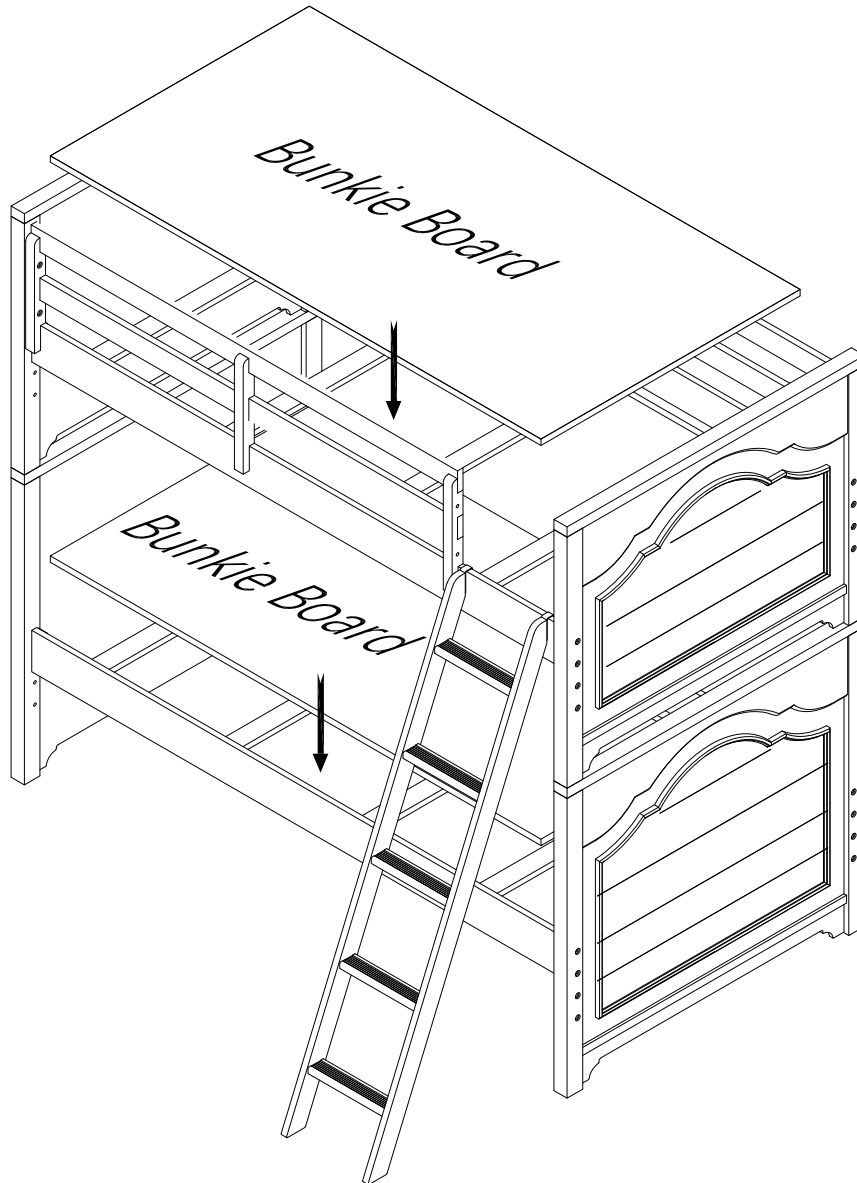
\*Screwdriver is not included.



This product is manufactured by LEGC for ROOMS TO GO | KIDS™

## Assembly Instructions:

Step 6



**PLACE BUNKIE BOARD (REQUIRED, SOLD SEPARATELY) ON THE SLATS.**

PLEASE CONTACT YOUR RETAIL STORE WITH SERVICE OR PARTS REPLACEMENT REQUEST

This product is manufactured by LEGC for **ROOMS TO GO** | **KIDS**